



US00D624727S

(12) **United States Design Patent**
Clemente et al.

(10) **Patent No.:** **US D624,727 S**
(45) **Date of Patent:** **** Oct. 5, 2010**

(54) **ELONGATED SHOE HORN WITH CLIP**

D427,418 S * 7/2000 Huang et al. D2/642
D508,303 S * 8/2005 Bradley D2/642

(76) Inventors: **Silvio Clemente**, 9 Stonebridge Ct.,
Denville, NJ (US) 07834; **Alexander**
Clemente, 9 Stonebridge Ct., Denville,
NJ (US) 07834

* cited by examiner

Primary Examiner—T. Chase Nelson
Assistant Examiner—Kathleen M Sims
(74) *Attorney, Agent, or Firm*—Steven B. Stein

(**) Term: **14 Years**

(21) Appl. No.: **29/329,698**

(57) **CLAIM**

(22) Filed: **Dec. 19, 2008**

The ornamental design for an elongated shoe horn with clip,
as shown and described.

(51) **LOC (9) Cl.** **07-99**

(52) **U.S. Cl.** **D2/642**

(58) **Field of Classification Search** D2/641-642;
223/111-120

See application file for complete search history.

DESCRIPTION

FIG. 1 is a front view of the elongated shoe horn with clip
showing our new design;

FIG. 2 is a side view thereof;

FIG. 3 is a rear view thereof;

FIG. 4 is a rear perspective view thereof; and,

FIG. 5 is an enlarged end view thereof.

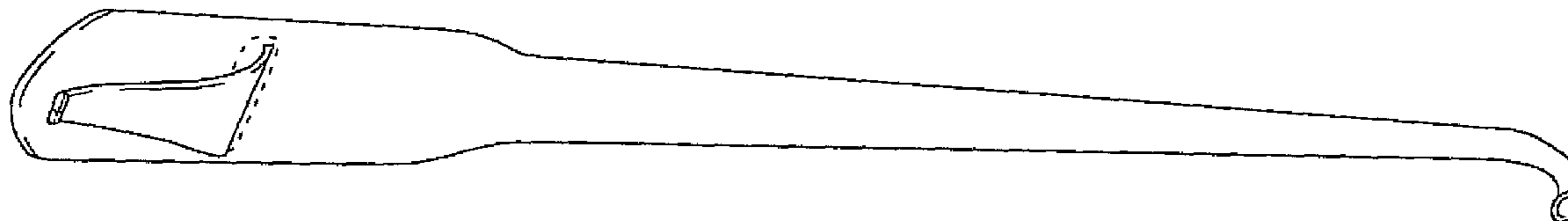
The broken lines shown in the drawings are for illustrative
purposes only and form no part of the claimed design.

(56) **References Cited**

U.S. PATENT DOCUMENTS

D84,620 S *	7/1931	Bradley	D2/642
D170,519 S *	10/1953	Beroset	D2/642
3,501,073 A *	3/1970	Breithor	223/118
D290,063 S *	6/1987	Wright	D2/642
D302,490 S *	8/1989	Denney	D2/642

1 Claim, 2 Drawing Sheets



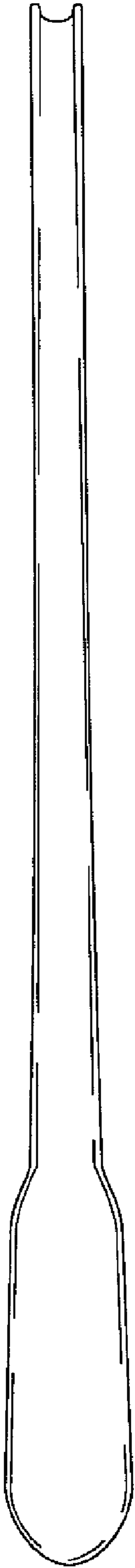


FIG. 1

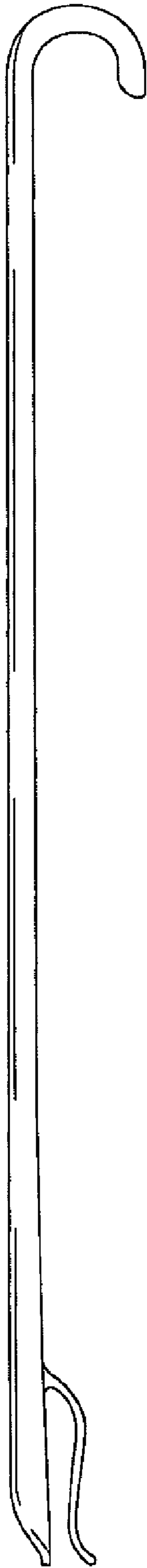


FIG. 2

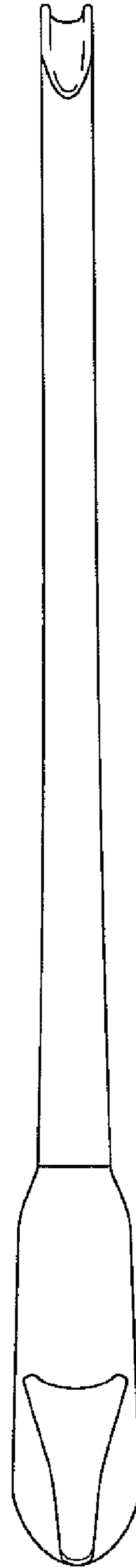


FIG. 3

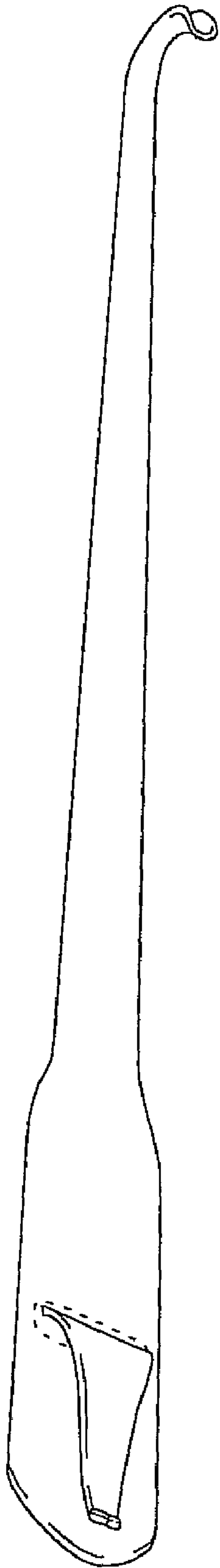


FIG. 4

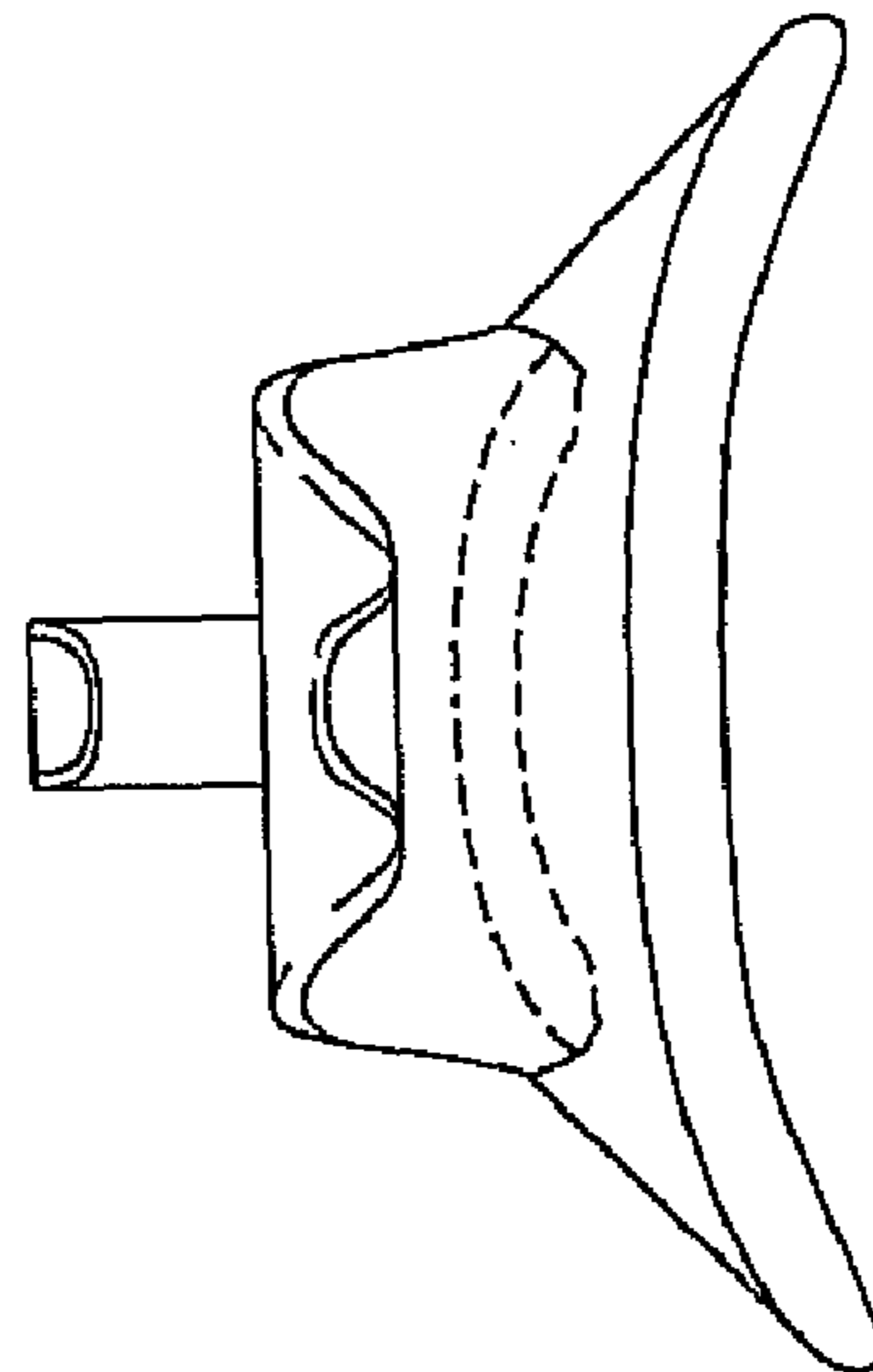


FIG. 5