



US00D624725S

(12) **United States Design Patent**
Turnell

(10) **Patent No.:** **US D624,725 S**
(45) **Date of Patent:** **** Sep. 28, 2010**

(54) **CART**

(75) Inventor: **Gregory Turnell**, Denton, MD (US)

(73) Assignee: **TURK International, Inc.**, Frederick, MD (US)

(**) Term: **14 Years**

(21) Appl. No.: **29/346,817**

(22) Filed: **Nov. 6, 2009**

(51) **LOC (9) Cl.** **12-02**

(52) **U.S. Cl.** **D34/24**

(58) **Field of Classification Search** D34/12-27;
280/47.29, 655, 79.3, 47.19, 33.993, 33.991,
280/33.996, 47.18, 47.28, 47.27, 47.34, 654,
280/47.35, 651, 684

See application file for complete search history.

(56) **References Cited**

U.S. PATENT DOCUMENTS

1,109,520 A	9/1914	Flower	
2,637,050 A	5/1953	Oliver	
3,093,386 A	6/1963	Case	
3,596,922 A	8/1971	Luttrell	
4,369,982 A	1/1983	Hein et al.	
4,936,595 A	6/1990	Cunningham	
D345,842 S *	4/1994	Sloan et al.	D34/26
D364,022 S *	11/1995	Kazmark, Jr.	D34/26
5,464,244 A *	11/1995	Tsai	280/655
D367,251 S *	2/1996	Ahlberg et al.	D12/129
D395,120 S	6/1998	Newman et al.	
5,871,220 A	2/1999	Lombard	
5,882,023 A	3/1999	Swager	
6,142,491 A	11/2000	Darling, III	
6,164,671 A	12/2000	Darling, III	
D441,935 S *	5/2001	Cook	D34/24
6,270,092 B2	8/2001	Darling, III	

D454,675 S *	3/2002	Levy et al.	D34/24
6,357,063 B1	3/2002	Selby	
D455,883 S *	4/2002	Clivio	D34/24
6,561,529 B2	5/2003	Darling, III	
6,698,811 B1	3/2004	Schuchman	
6,926,292 B1	8/2005	Weeks	
7,017,939 B2	3/2006	Darling, III	
7,150,465 B2	12/2006	Darling, III	
D558,948 S *	1/2008	Miller et al.	D34/24
D570,069 S *	5/2008	Leonard	D34/24

(Continued)

Primary Examiner—Cynthia E Ramirez

(74) *Attorney, Agent, or Firm*—Edell, Shapiro & Finnan LLC

(57) **CLAIM**

The ornamental design for a cart, as shown and described.

DESCRIPTION

FIG. 1 is a front perspective view of a cart according to the invention;

FIG. 2 is a rear perspective view of the cart of FIG. 1;

FIG. 3 is a front view of the cart of FIG. 1;

FIG. 4 is a rear view of the cart of FIG. 1;

FIG. 5 is a top view of the cart of FIG. 1;

FIG. 6 is a bottom view of the cart of FIG. 1;

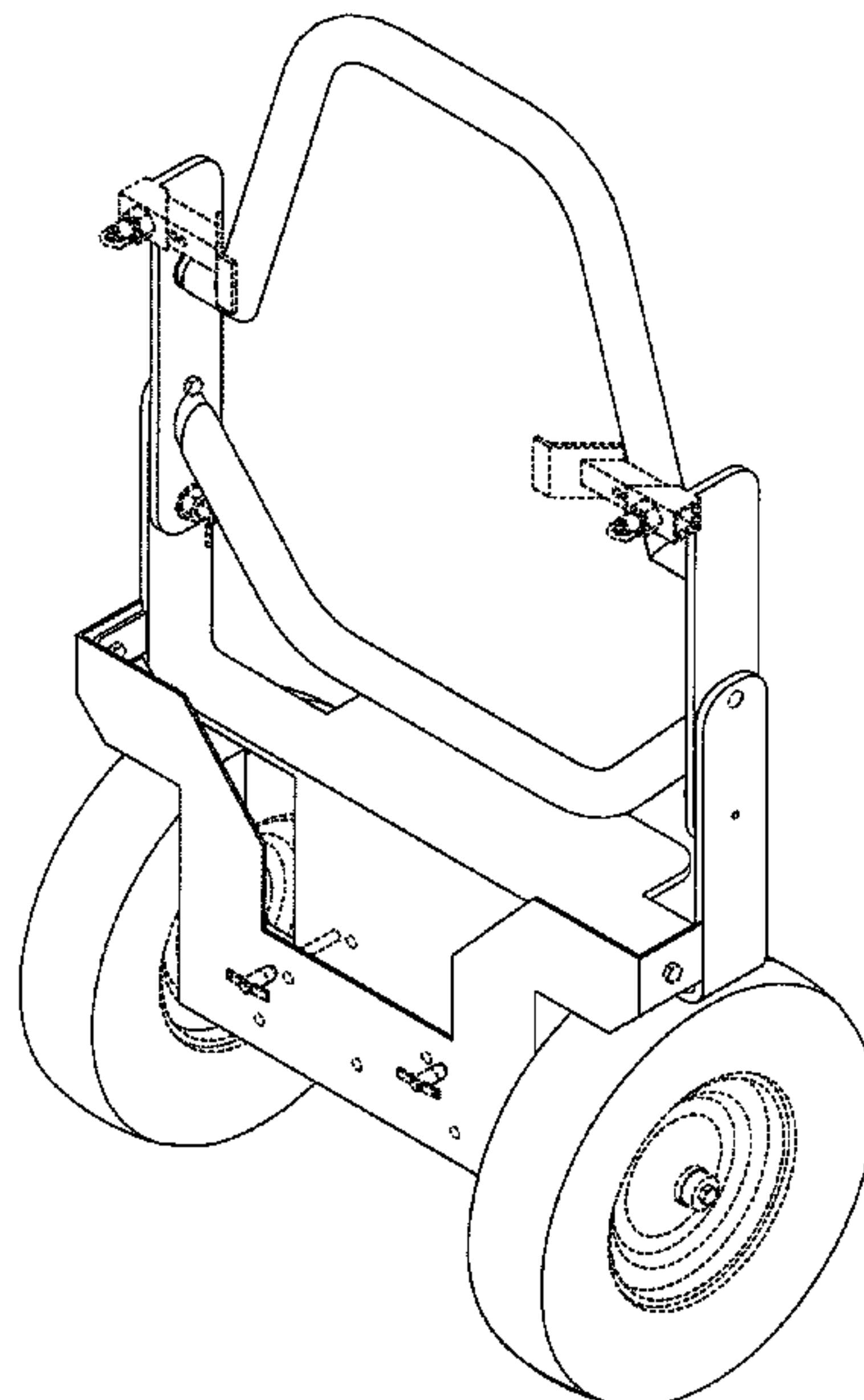
FIG. 7 is a right side view of the cart of FIG. 1;

FIG. 8 is a left side view of the cart of FIG. 1; and,

FIG. 9 is a rear perspective view of the cart of FIG. 1 in a folded orientation.

The portions shown in phantom are for illustrative purposes only and form no part of the claimed design.

1 Claim, 8 Drawing Sheets



US D624,725 S

Page 2

U.S. PATENT DOCUMENTS

D573,772 S *	7/2008	Faehnle	D34/17	7,516,503 B1	4/2009	Larson	
7,392,994 B2	7/2008	Darling, III		D592,374 S *	5/2009	Zenkus et al.	D34/24
7,407,177 B2	8/2008	Darling, III		D615,724 S *	5/2010	Girard	D34/17
7,458,601 B2 *	12/2008	Miller et al.	280/651	2006/0186622 A1	8/2006	Darling, III	
7,461,857 B2	12/2008	Darling, III		2008/0030003 A1	2/2008	Darling, III	
7,516,502 B1	4/2009	Larson et al.		2009/0051143 A1	2/2009	Darling, III	

* cited by examiner

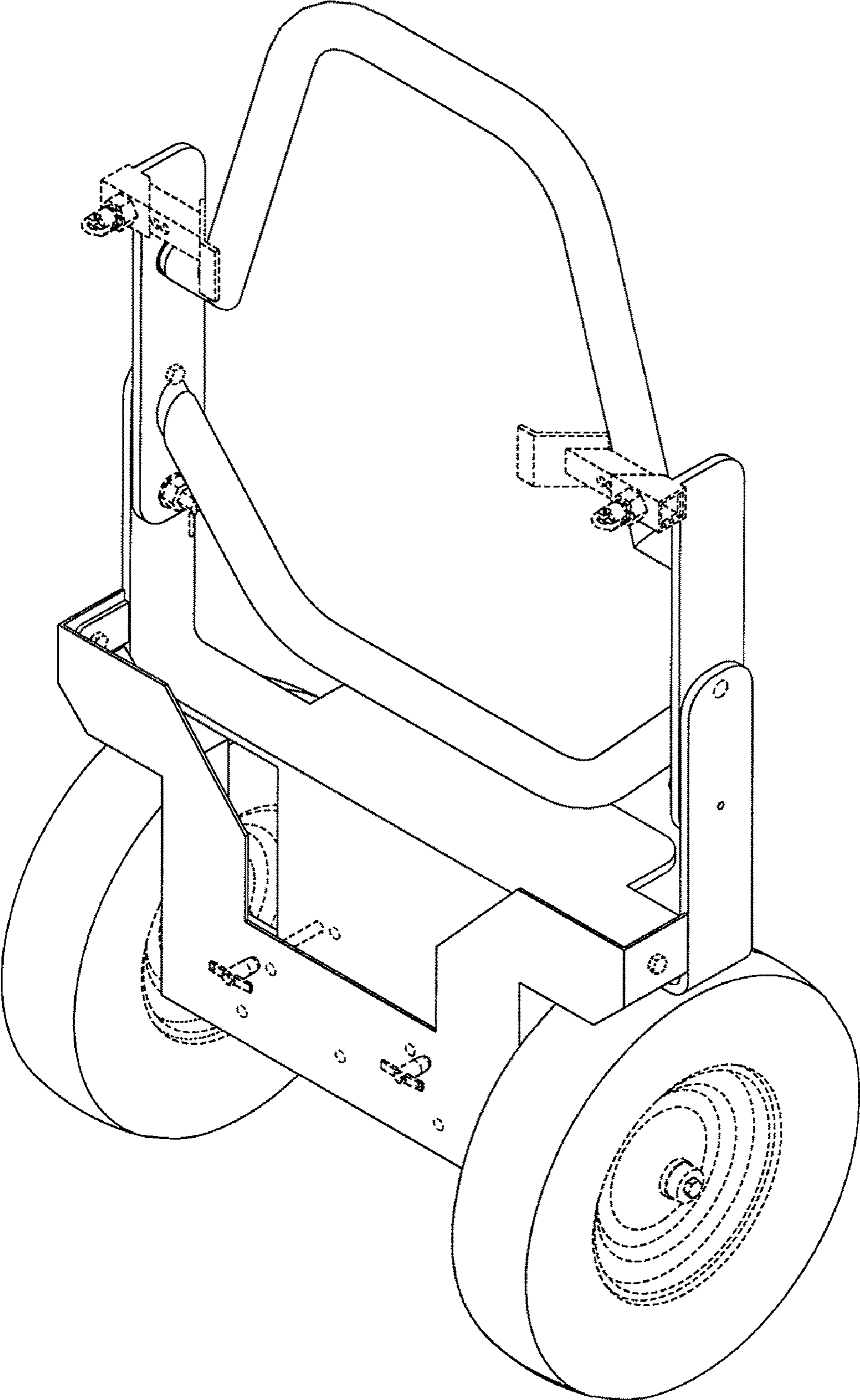


FIG.1

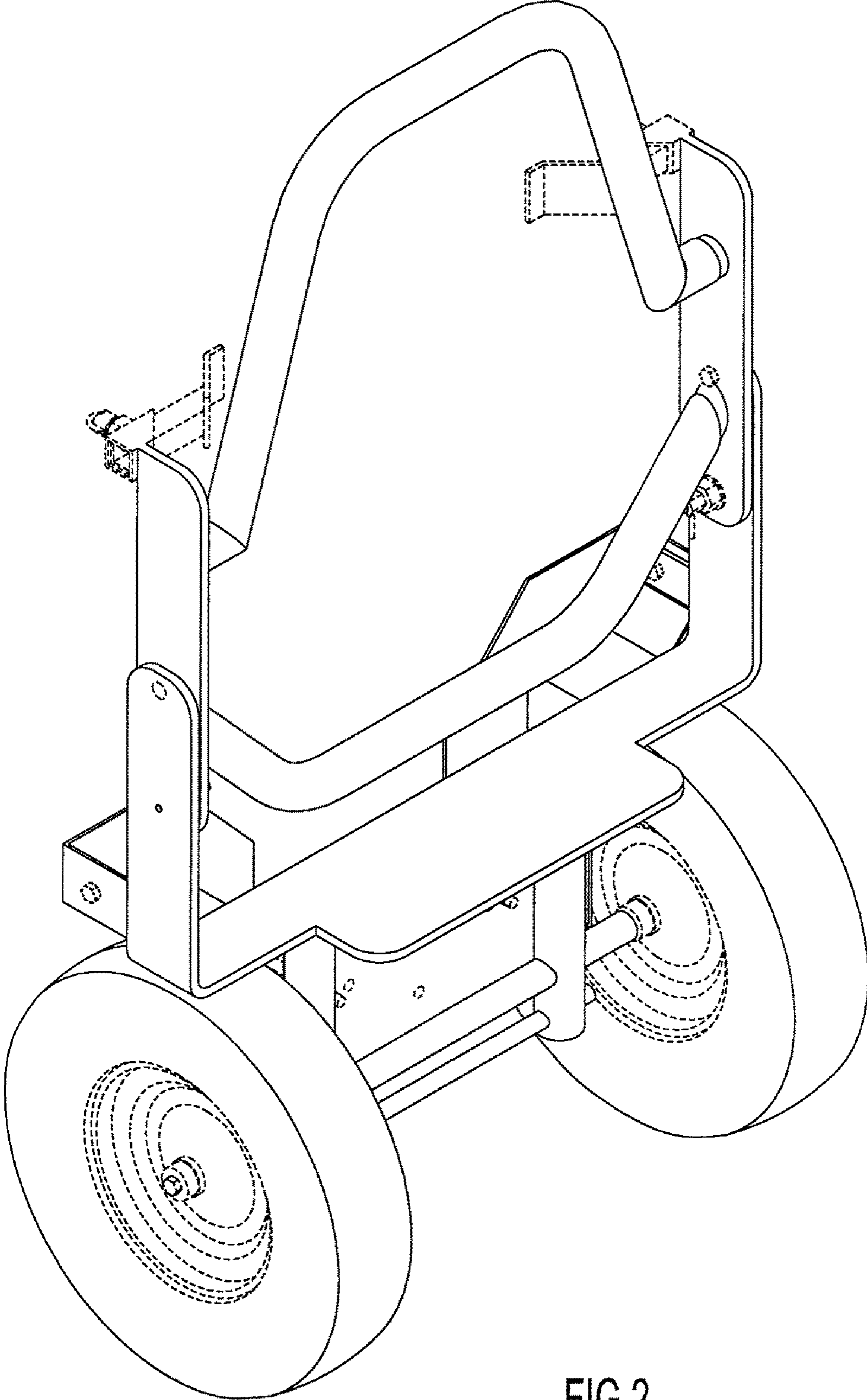


FIG.2

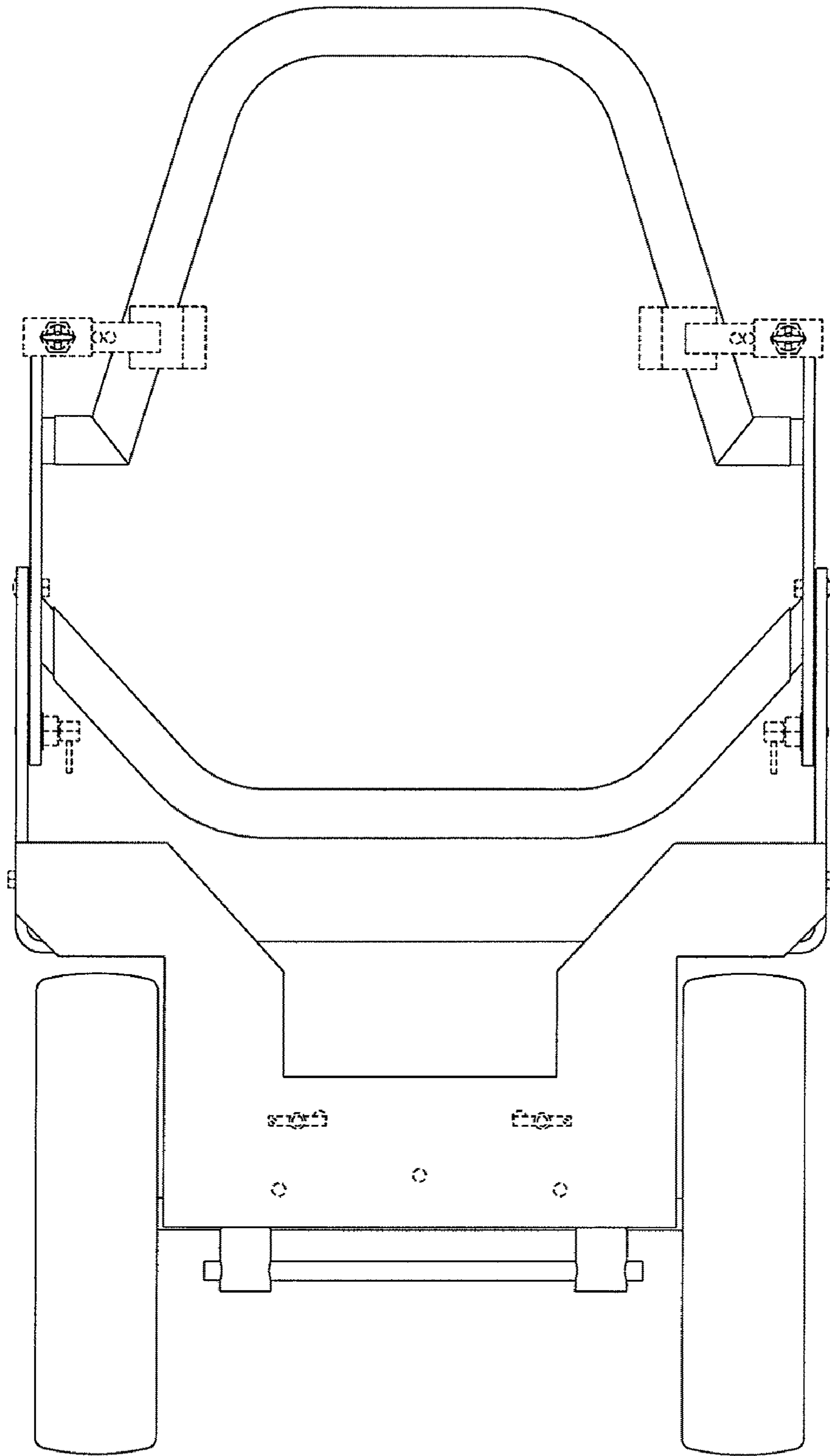


FIG.3

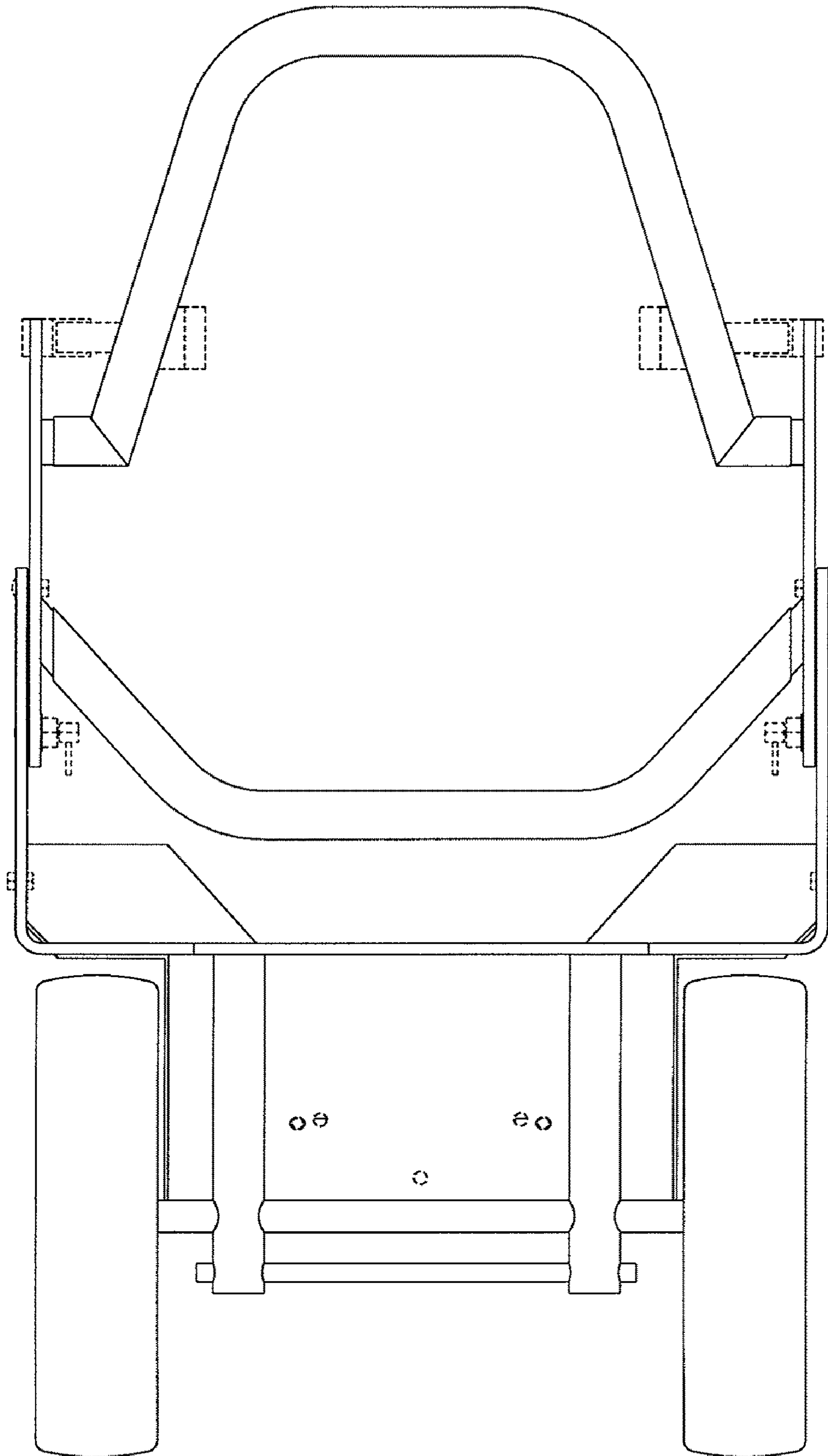


FIG.4

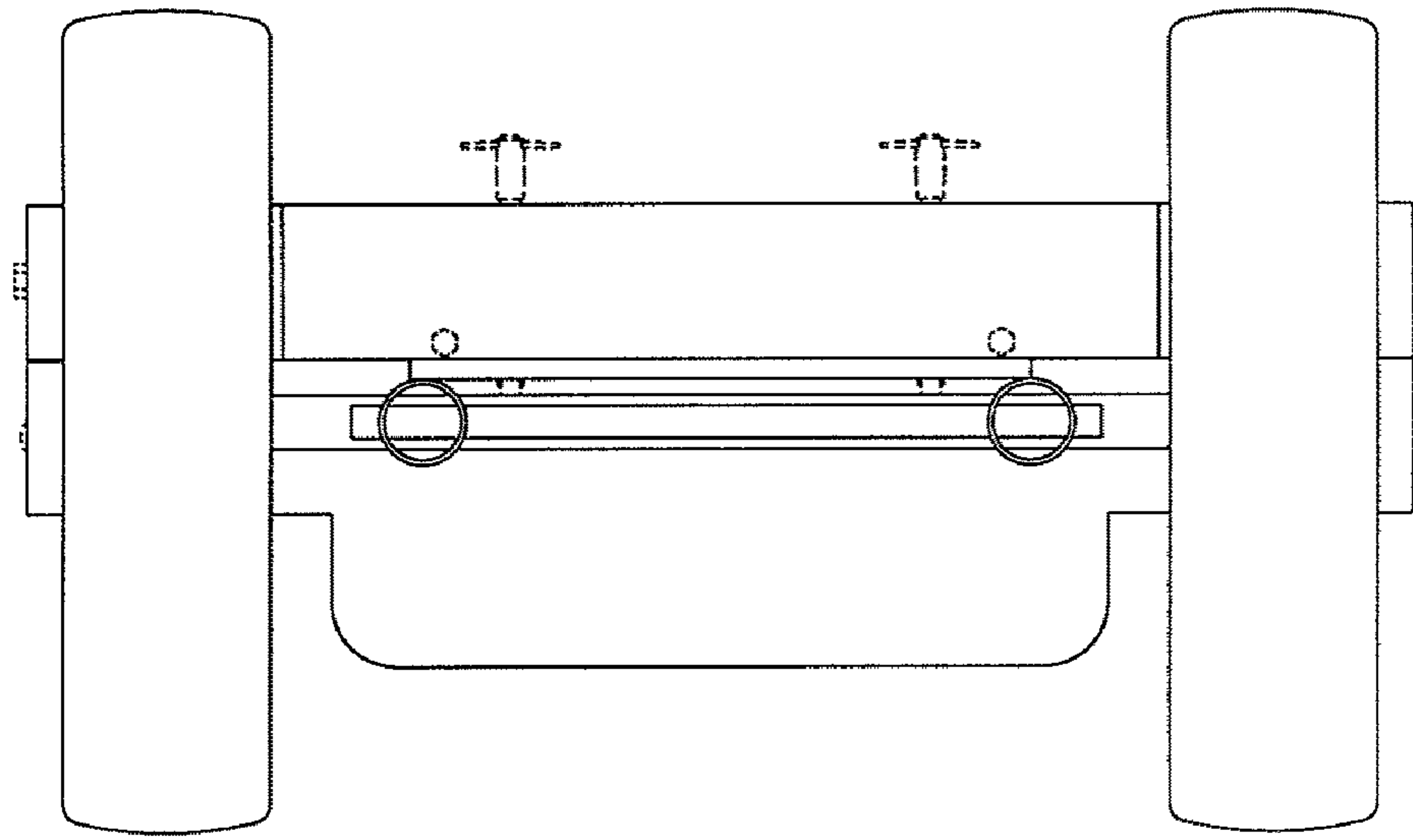


FIG.6

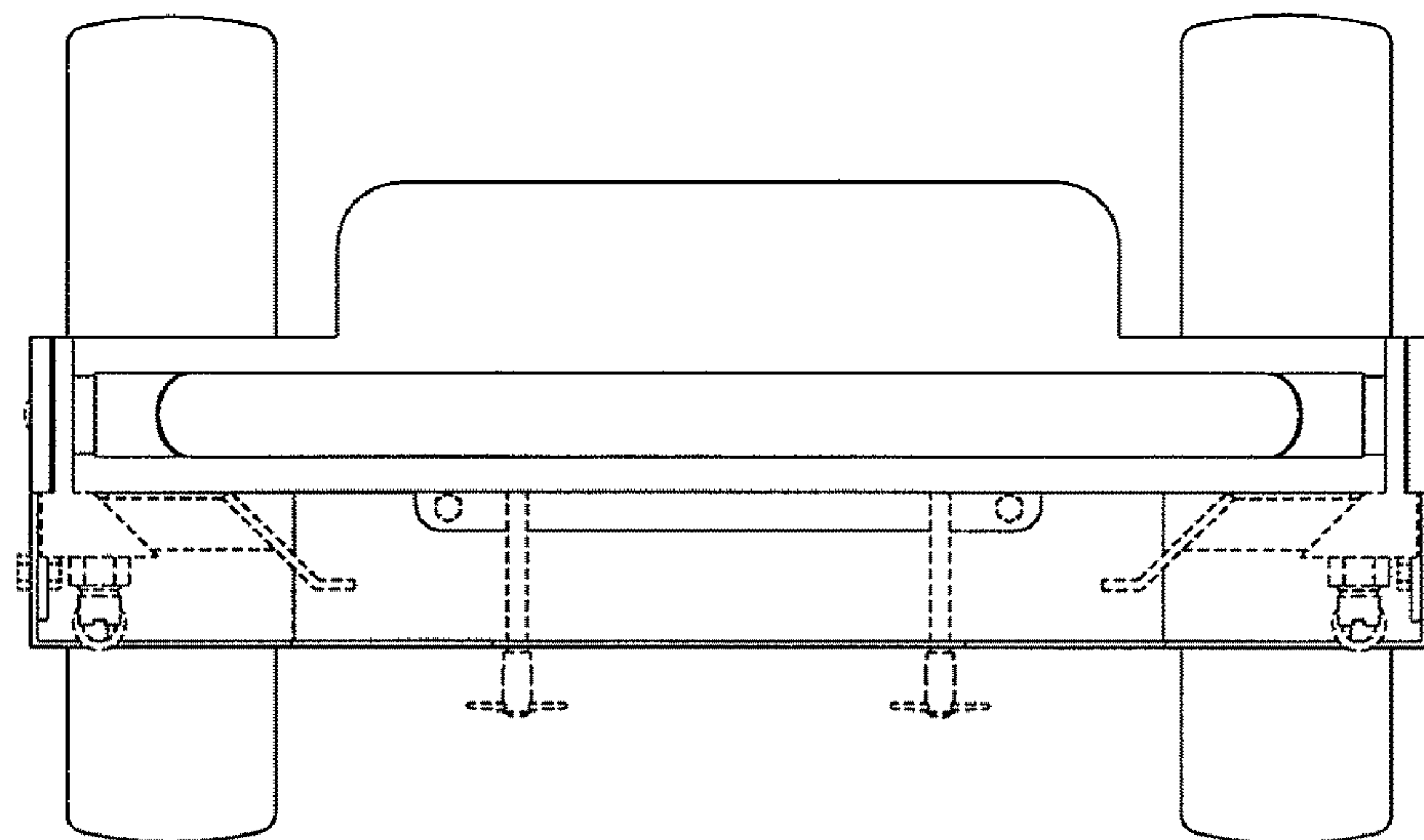


FIG.5

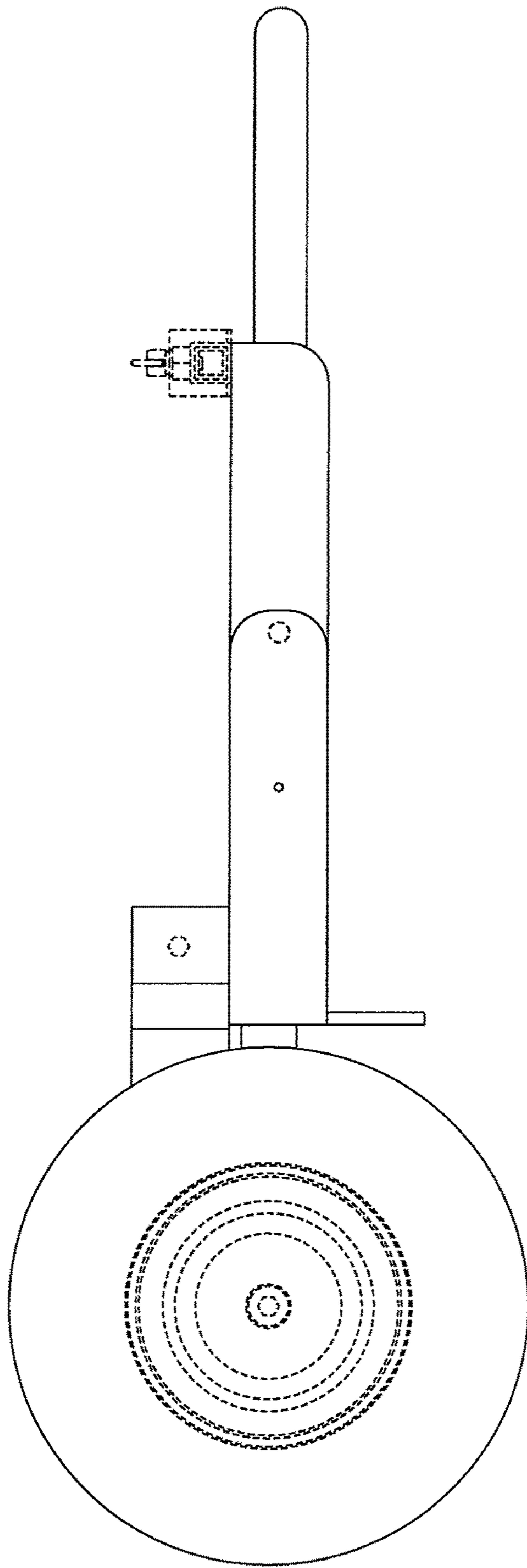


FIG.7

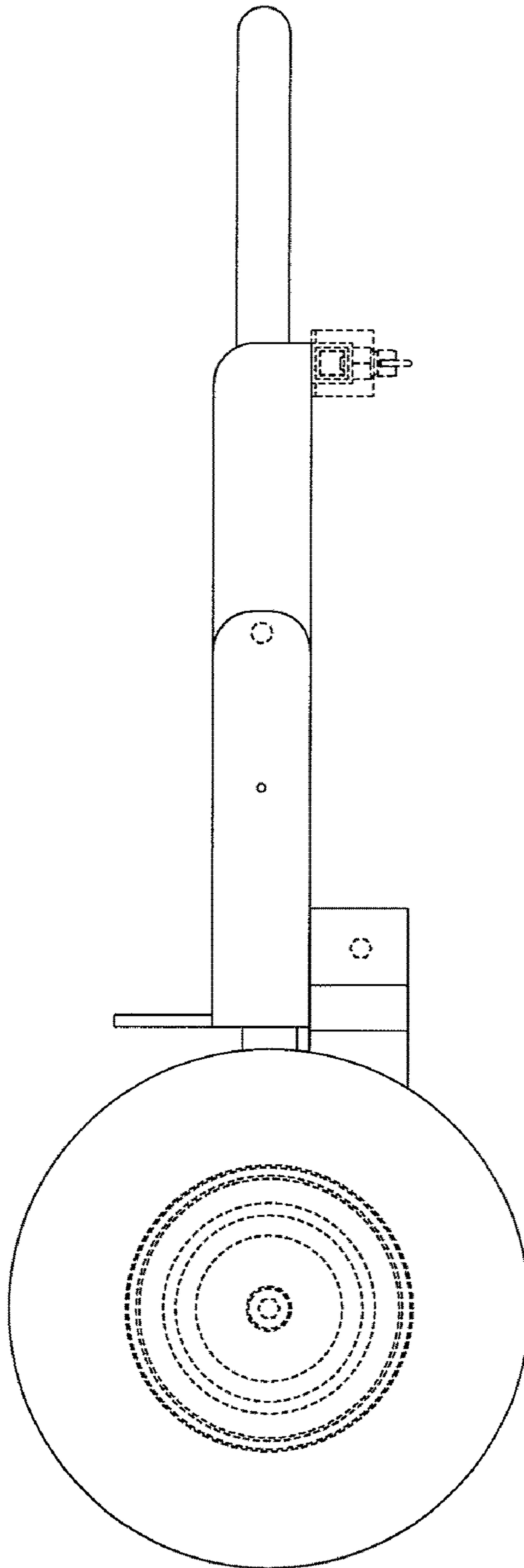


FIG.8

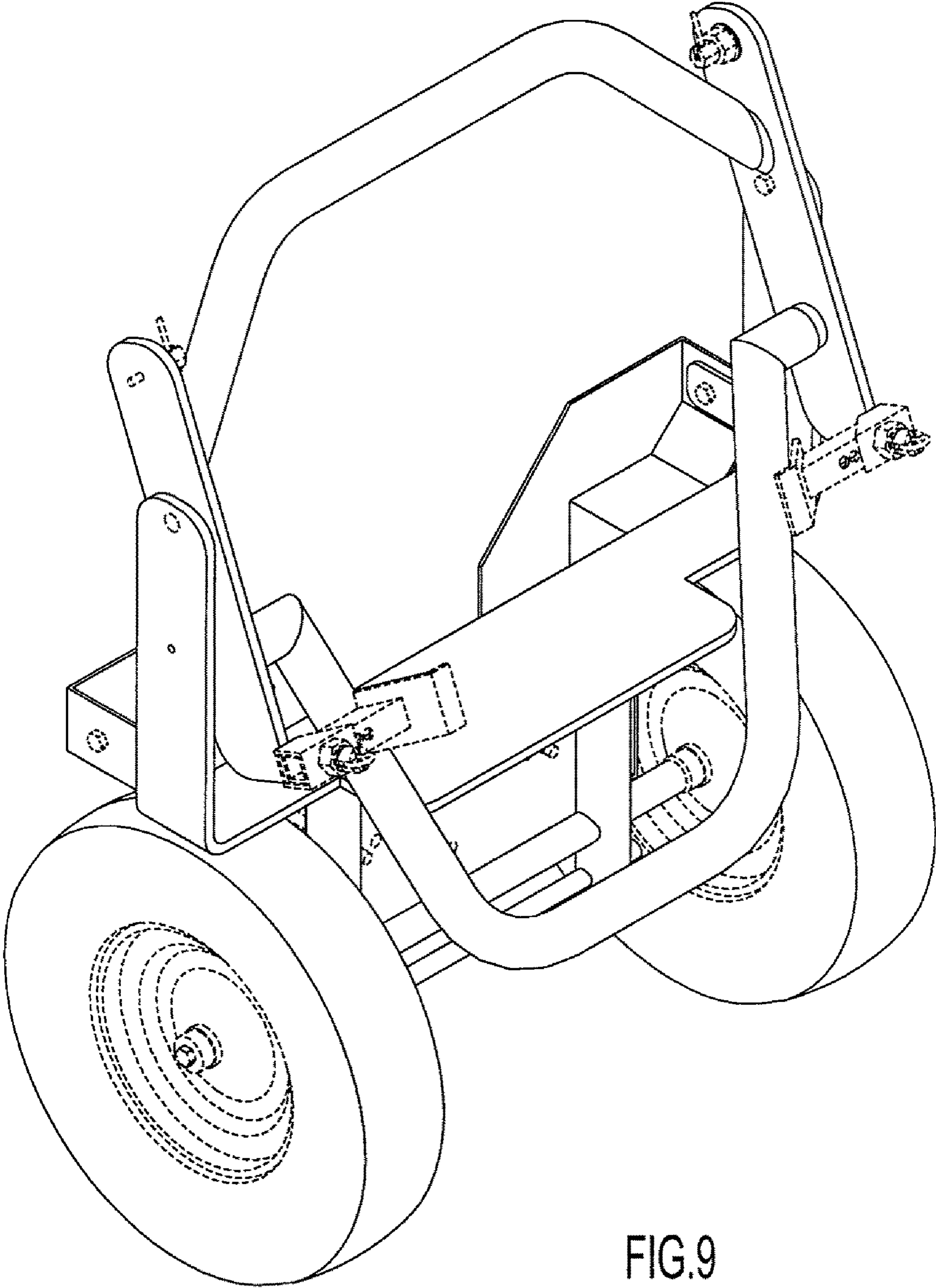


FIG.9