



US00D624724S

(12) **United States Design Patent**
Uhl et al.

(10) **Patent No.:** **US D624,724 S**
(45) **Date of Patent:** **** Sep. 28, 2010**

(54) **CLEANING TROLLEY**

D555,870 S * 11/2007 Zorzo D34/14
D556,416 S 11/2007 Zorzo

(75) Inventors: **Stephan Uhl**, Monheim (DE); **Matthias Menzel**, Langenfeld (DE); **Stefan Rutschmann**, Düsseldorf (DE); **Dario Enzo Sforza**, Düsseldorf (DE); **Klaus-Günter Hub**, Idar Oberstein (DE); **Martin Stützel**, Idar Oberstein (DE)

(Continued)

FOREIGN PATENT DOCUMENTS

DE 31 41 495 A1 5/1983

(Continued)

OTHER PUBLICATIONS

(73) Assignee: **Ecolab Inc.**, St. Paul, MN (US)

Community Design Registration CDR 001072581-0001, published Jan. 26, 2009, Holder: Ecolab Inc. OAMI-Online-RCD Online. <http://oami.europa.eu/ECDOOnline/RequestManager?print=1> Mar. 8, 2010.

(**) Term: **14 Years**

(21) Appl. No.: **29/346,613**

(Continued)

(22) Filed: **Nov. 3, 2009**

Primary Examiner—Cynthia E Ramirez
(74) *Attorney, Agent, or Firm*—IPLM Group, P.A.

(51) **LOC (9) Cl.** **12-02**

(52) **U.S. Cl.** **D34/17**

(58) **Field of Classification Search** D34/12-27;
280/47.34, 47.35, 79.2, 47.26, 79.5, 564,
280/659, 47.17, 47.18, 47.24

(57) **CLAIM**

The ornamental design for a cleaning trolley, as shown and described.

See application file for complete search history.

DESCRIPTION

(56) **References Cited**

U.S. PATENT DOCUMENTS

4,404,704 A	9/1983	Rabban	
D273,242 S *	3/1984	Maza et al.	D34/21
4,986,555 A	1/1991	Andreen	
5,326,117 A *	7/1994	Cook	280/79.2
5,913,528 A	6/1999	Kresse et al.	
5,975,544 A	11/1999	Kresse et al.	
6,070,808 A	6/2000	Kildow	
6,497,423 B1 *	12/2002	Perelli et al.	280/47.34
6,502,838 B1	1/2003	Kresse et al.	
7,104,556 B1	9/2006	Young	
D533,705 S	12/2006	Bertucci et al.	
D555,869 S	11/2007	Zorzo	

FIG. 1 is a perspective view of a cleaning trolley constructed according to the principles of the present invention;

FIG. 2 is a side view of the cleaning trolley shown in FIG. 1, the other side is a mirror image thereof;

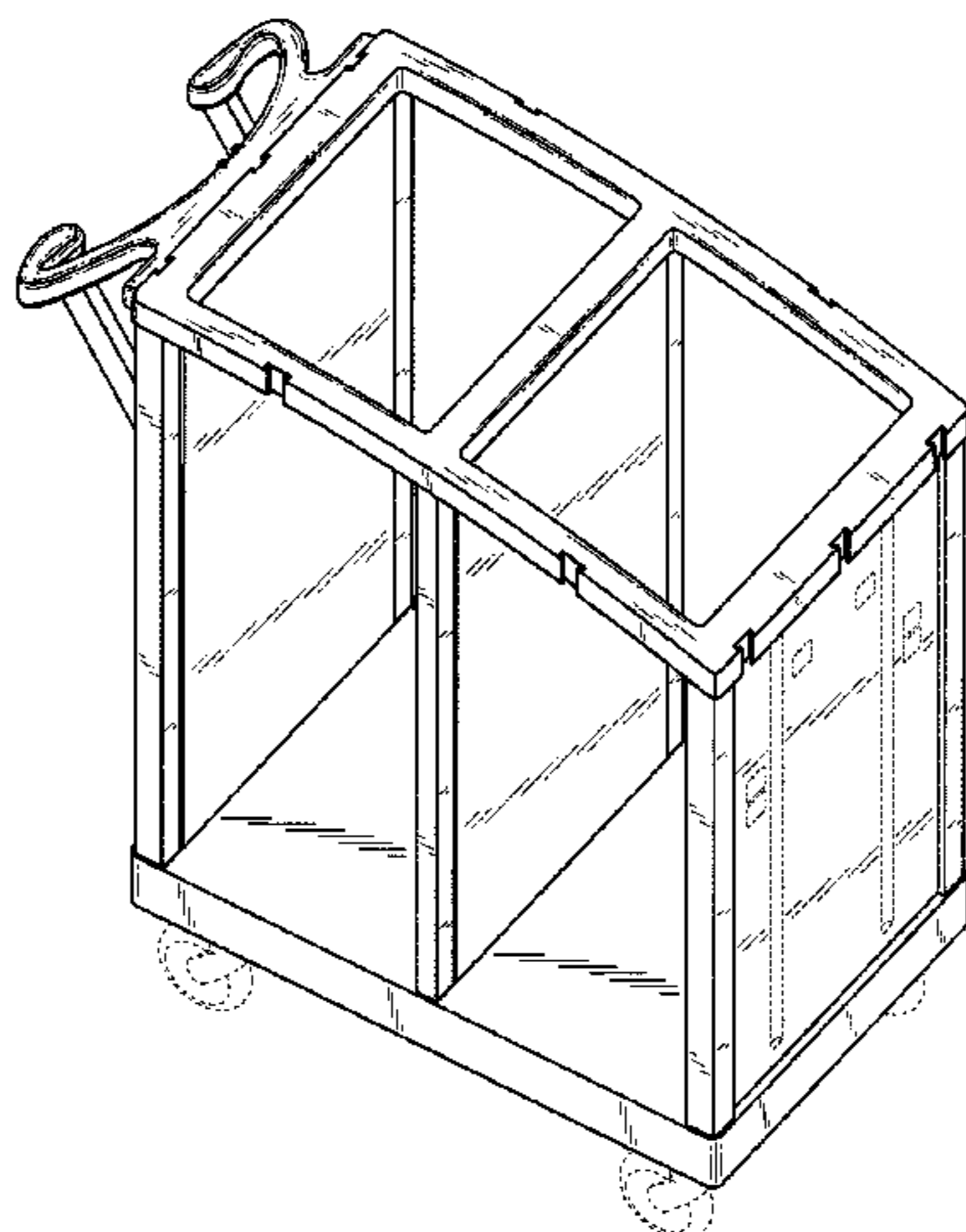
FIG. 3 is a top view of the cleaning trolley shown in FIG. 1; FIG. 4 is a bottom view of the cleaning trolley shown in FIG. 1;

FIG. 5 is a front view of the cleaning trolley shown in FIG. 1; and,

FIG. 6 is a rear view of the cleaning trolley shown in FIG. 1.

The broken line showing of some elements in the figures is included for the purpose of illustrating environment and forms no part of the claimed design.

1 Claim, 6 Drawing Sheets



US D624,724 S

U.S. PATENT DOCUMENTS

D556,417	S	11/2007	Zorzo	
D556,418	S	11/2007	Zorzo	
D558,949	S	1/2008	Zorzo	
D575,473	S *	8/2008	Presnell	D34/27
D594,170	S *	6/2009	Catron	D34/14
D607,172	S *	12/2009	Catron	D34/14
7,648,147	B2 *	1/2010	Lauer et al.	280/47.35
2002/0109318	A1	8/2002	Calmeise et al.	
2003/0122331	A1 *	7/2003	DiGiacomo et al.	280/47.35
2004/0262867	A1	12/2004	Arceta et al.	
2005/0011037	A1	1/2005	Zhao et al.	
2006/0010637	A1	1/2006	Duncan et al.	
2006/0053579	A1	3/2006	Bruno	
2006/0163827	A1	7/2006	Lauer et al.	
2007/0267832	A1	11/2007	Denissov	
2007/0289788	A1	12/2007	Salmon	
2008/0029981	A1	2/2008	Dukes	
2008/0185940	A1	8/2008	Lindner et al.	
2009/0026732	A1	1/2009	Lindner et al.	

FOREIGN PATENT DOCUMENTS

DE	43 22 626	A1	1/1995
DE	195 04 771	A1	8/1995
DE	44 07 014	A1	9/1995
DE	199 44 955	A1	4/2000
DE	100 03 138	C1	5/2001
DE	203 06 728	U1	9/2003
DE	203 03 477	U1	2/2004
DE	20 2004 003 525	U1	6/2004
DE	20 2005 008 791	U1	10/2006
DE	10 2005 044 983	B3	1/2007
DE	10 2005 044 984	B3	1/2007
EP	0 452 674	A1	10/1991
EP	0 570 900	A1	11/1993
EP	0 801 925	B1	10/1997
EP	0 878 374	B1	11/1998
EP	1 013 214	A1	6/2000
EP	1 036 723	B1	9/2000
EP	1 053 926	A2	11/2000
EP	1 184 578	A2	3/2002
EP	1 190 664	A2	3/2002
EP	1 279 582	A1	1/2003
EP	1 336 463	A1	8/2003
EP	1 374 751	A2	1/2004

EP	1 437 283	B1	7/2004
EP	1 454 809	B1	9/2004
EP	1 512 606	A1	3/2005
EP	1 849 393	A2	10/2007
FR	2 748 440		11/1997
GB	2 264 088	A	8/1993
GB	2 355 754	A	5/2001
GB	2 383 980	A	7/2003
GB	2 388 156	A	11/2003
GB	2 388 577	B	8/2004
WO	WO 91/11952		8/1991
WO	WO 95/00063		1/1995
WO	WO 95/23548		9/1995
WO	WO 95/23720		9/1995
WO	WO 99/00050		1/1999
WO	WO 99/23931		5/1999
WO	WO 99/65710		12/1999
WO	WO 00/54646		9/2000
WO	WO 01/44035	A1	6/2001
WO	WO 01/66408	A1	9/2001
WO	WO 02/051686	A1	7/2002
WO	WO 03/086166	A1	10/2003
WO	WO 03/088803	A1	10/2003
WO	WO 2006/053079	A1	5/2006
WO	WO 2006/078947	A2	7/2006
WO	WO 2007/033724	A1	3/2007
WO	WO 2007/033725	A2	3/2007

OTHER PUBLICATIONS

Community Design Registration CDR 001072581-0002, published Jan. 26, 2009, Holder: Ecolab Inc. OAMI-Online-RCD Online. <http://oami.europa.eu/ECDOnline/RequestManager?print=1> Mar. 8, 2010.

Community Design Registration CDR 001072581-0003, published Jan. 26, 2009, Holder: Ecolab Inc. OAMI-Online-RCD Online. <http://oami.europa.eu/ECDOnline/RequestManager?print=1> Mar. 8, 2010.

Community Design Registration CDR 001072581-0004, published Jan. 26, 2009, Holder: Ecolab Inc. OAMI-Online-RCD Online. <http://oami.europa.eu/ECDOnline/RequestManager?print=1> Mar. 8, 2010.

Community Design Registration CDR 001072581-0005, published Jan. 26, 2009, Holder: Ecolab Inc. OAMI-Online-RCD Online. <http://oami.europa.eu/ECDOnline/RequestManager?print=1> Mar. 8, 2010.

* cited by examiner

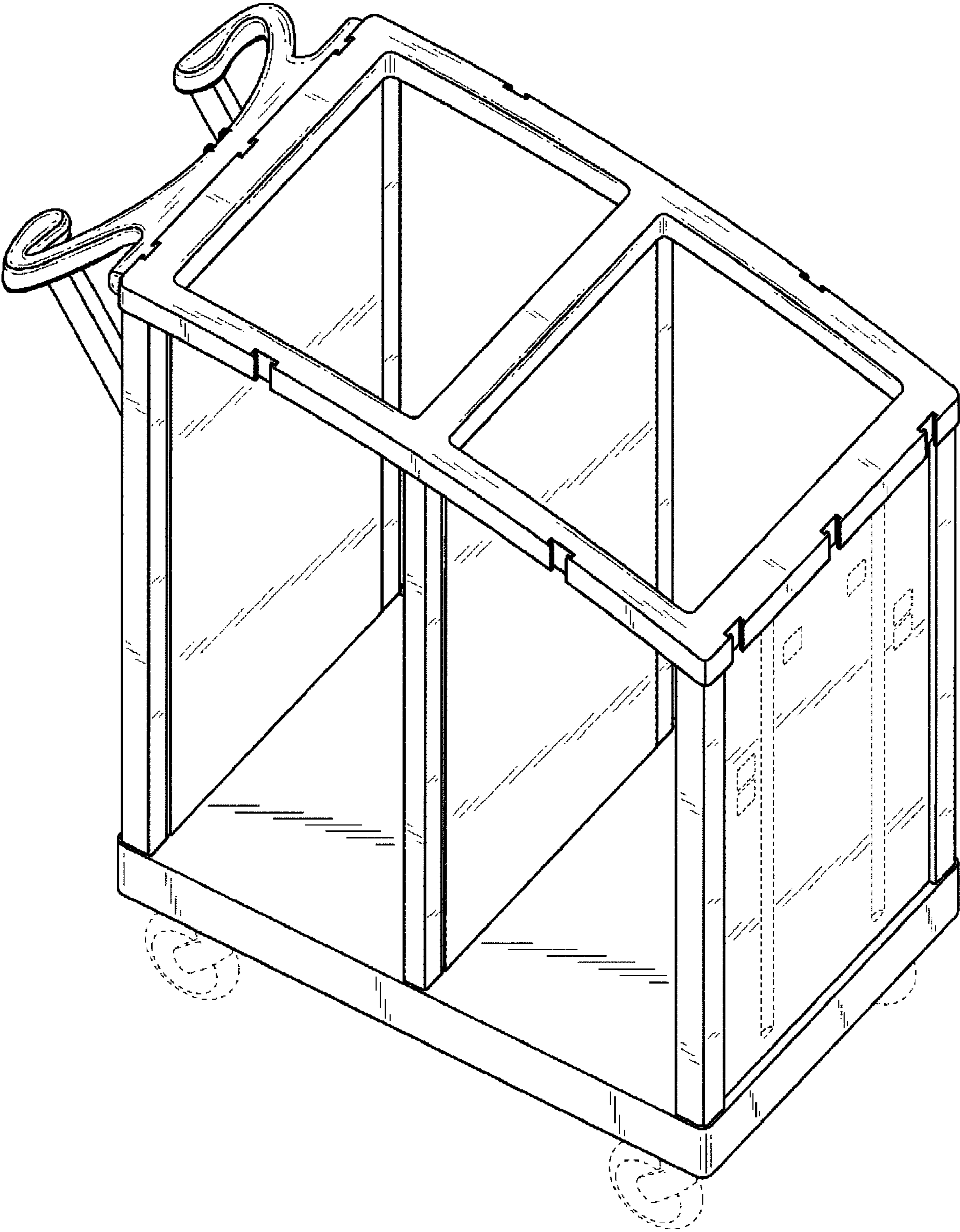


Fig. 1

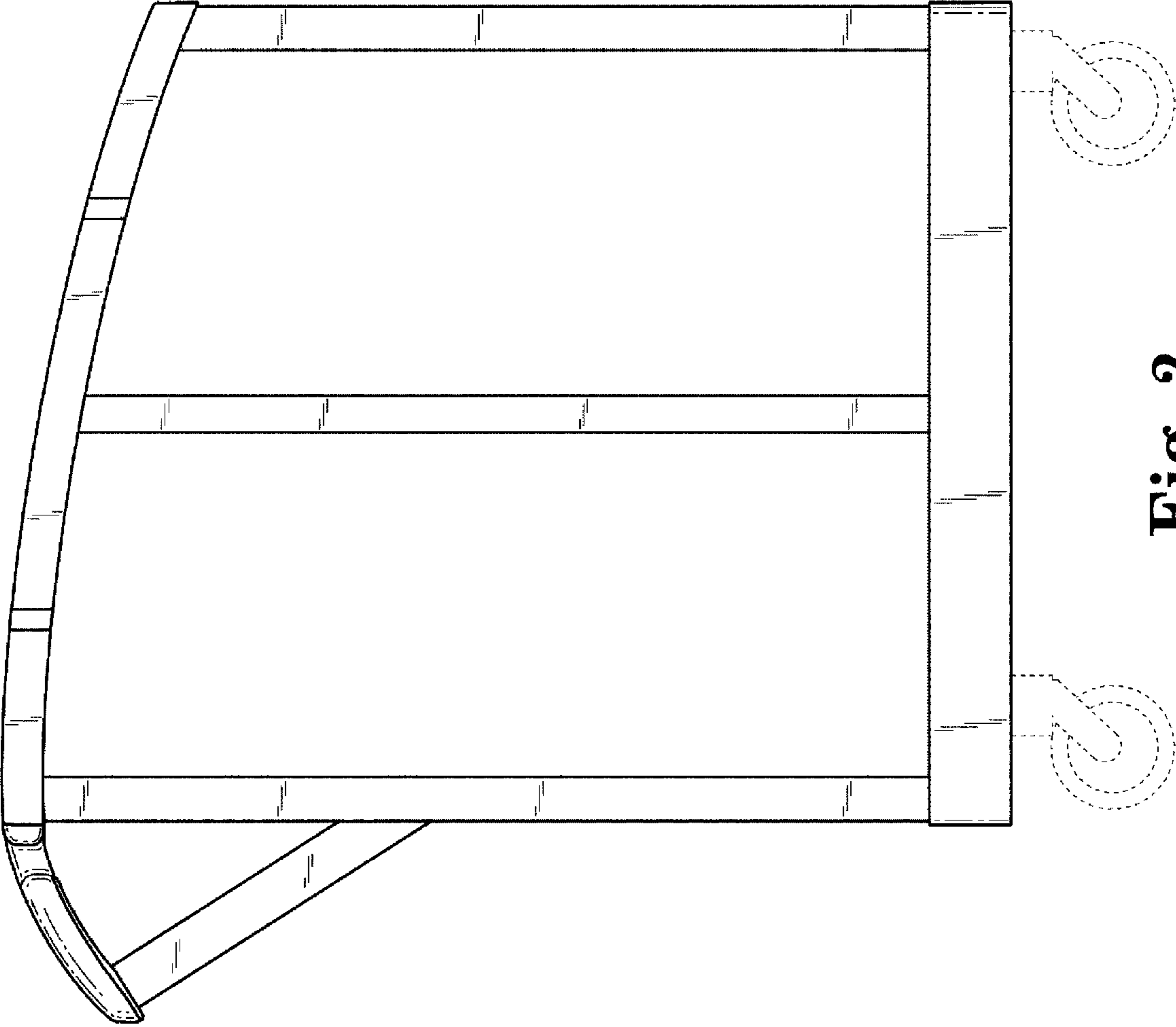


Fig. 2

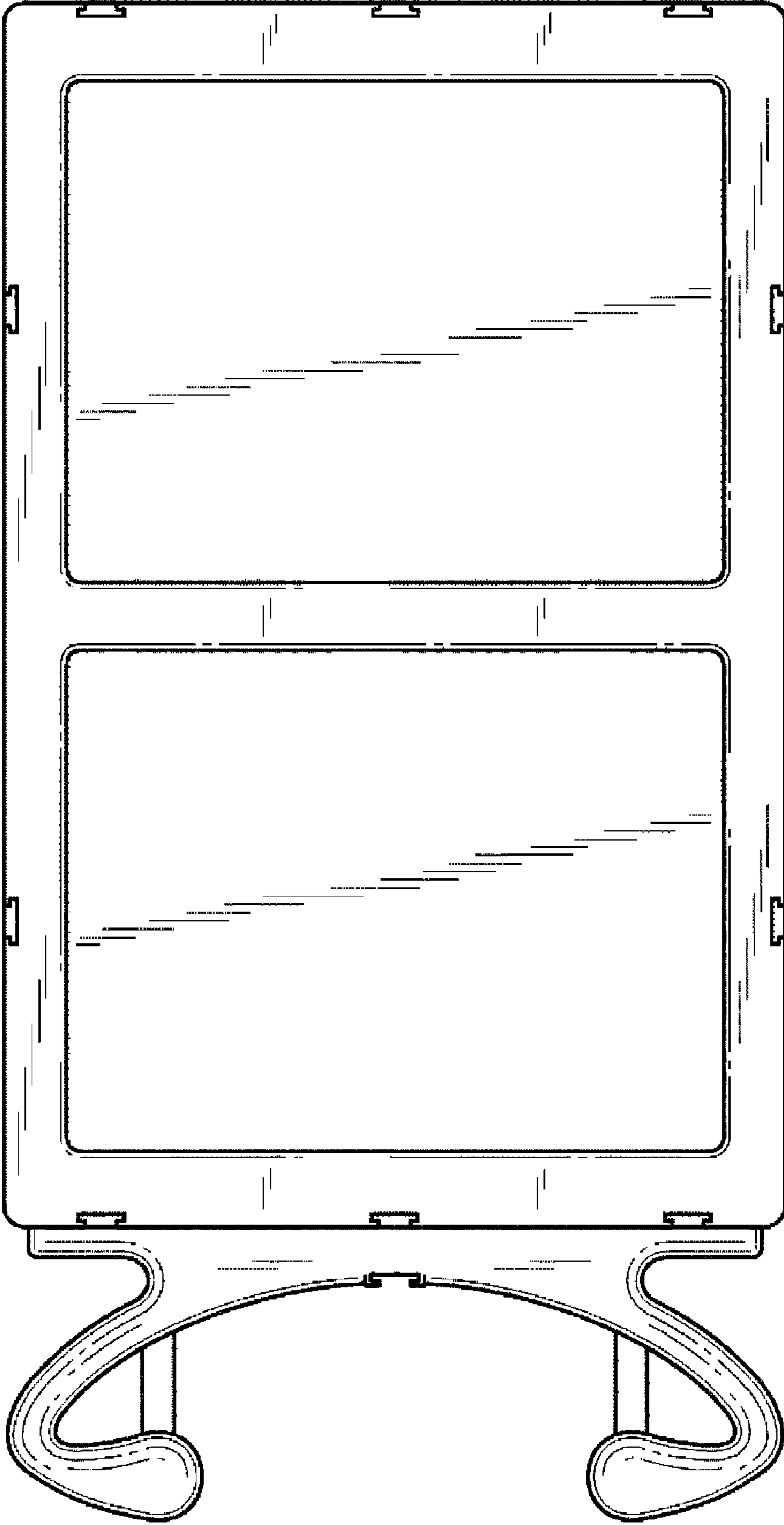


Fig. 3

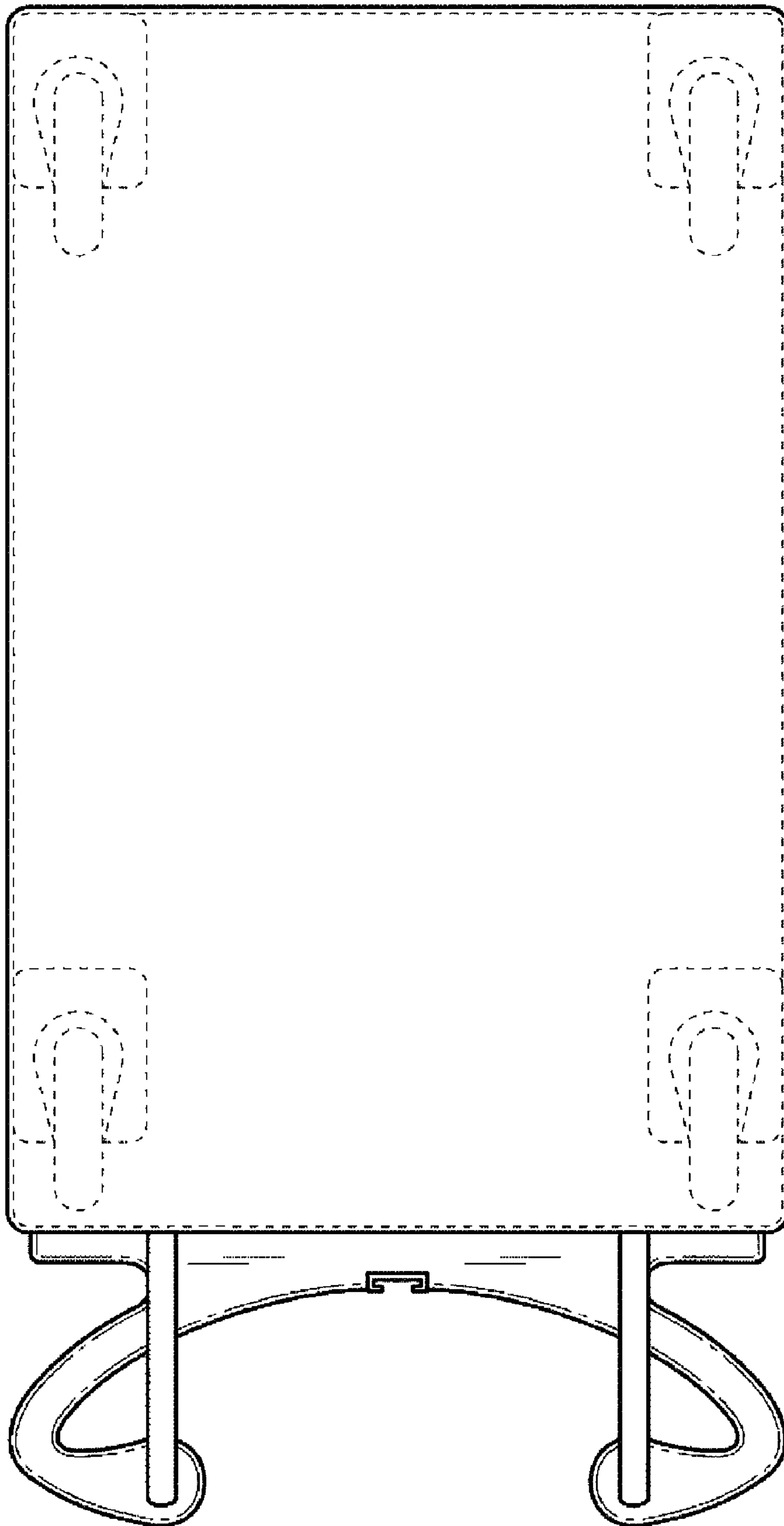


Fig. 4

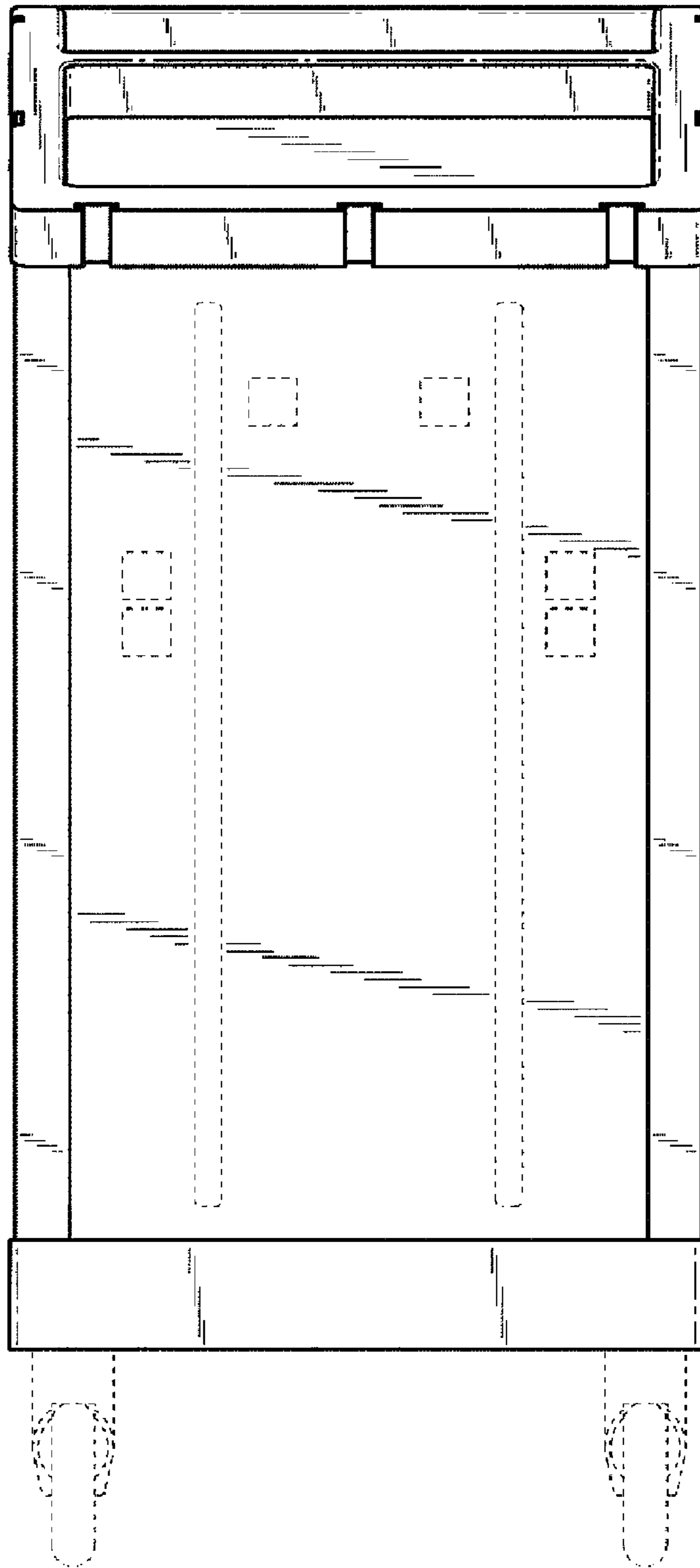


Fig. 5

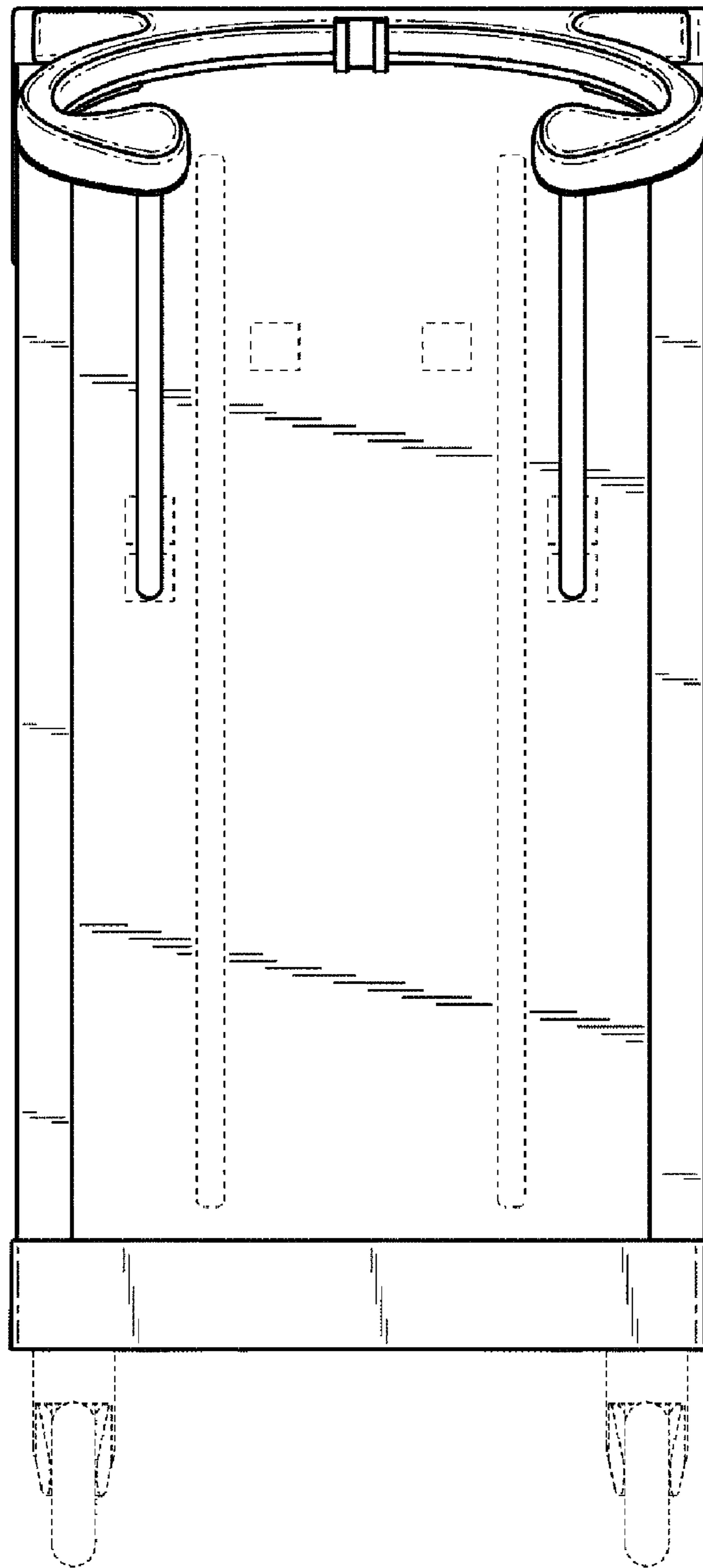


Fig. 6