



US00D624723S

(12) **United States Design Patent**  
**Raghunathan et al.**

(10) **Patent No.:** **US D624,723 S**

(45) **Date of Patent:** **\*\* Sep. 28, 2010**

(54) **REFUSE CONTAINER**

(75) Inventors: **Narayan Raghunathan**, Mississauga (CA); **Basil Thompson Martheenal**, Brampton (CA)

(73) Assignee: **Orbis Canada Limited**, Toronto (CA)

(\*\*) Term: **14 Years**

(21) Appl. No.: **29/308,783**

(22) Filed: **Jul. 7, 2008**

(51) **LOC (9) Cl.** ..... **09-09**

(52) **U.S. Cl.** ..... **D34/5**

(58) **Field of Classification Search** ..... D34/1-11;  
220/908-911, 625, DIG. 12, DIG. 14  
See application file for complete search history.

(56) **References Cited**

**U.S. PATENT DOCUMENTS**

|           |     |         |                 |             |
|-----------|-----|---------|-----------------|-------------|
| 3,825,150 | A   | 7/1974  | Taylor          |             |
| 4,753,367 | A   | 6/1988  | Miller et al.   |             |
| 5,160,063 | A   | 11/1992 | Bailey          |             |
| 5,184,836 | A   | 2/1993  | Andrews, Jr.    |             |
| D347,095  | S   | 5/1994  | Apps et al.     |             |
| 5,377,858 | A   | 1/1995  | Morris, Sr.     |             |
| D355,741  | S * | 2/1995  | Craft et al.    | ..... D34/5 |
| 5,445,397 | A   | 8/1995  | Evans           |             |
| 5,555,996 | A   | 9/1996  | Lang-Ree et al. |             |
| D388,577  | S   | 12/1997 | Rehrig et al.   |             |
| D398,120  | S   | 9/1998  | Rehrig et al.   |             |
| 5,881,901 | A   | 3/1999  | Hampton         |             |
| 5,899,468 | A   | 5/1999  | Apps et al.     |             |
| D445,228  | S * | 7/2001  | Apps et al.     | ..... D34/5 |
| D491,328  | S   | 6/2004  | Aiken et al.    |             |
| 6,918,508 | B2  | 7/2005  | Hwang           |             |
| D515,313  | S   | 2/2006  | Uffner et al.   |             |

|              |     |         |                |             |
|--------------|-----|---------|----------------|-------------|
| 7,017,773    | B2  | 3/2006  | Gruber et al.  |             |
| 7,114,631    | B2  | 10/2006 | Aiken          |             |
| 7,121,564    | B2  | 10/2006 | Hassell        |             |
| D532,173     | S   | 11/2006 | Aiken et al.   |             |
| D535,448     | S * | 1/2007  | Kilduff et al. | ..... D34/5 |
| 7,287,665    | B2  | 10/2007 | Meissen et al. |             |
| 2006/0065657 | A1  | 3/2006  | Wong           |             |
| 2006/0076260 | A1  | 4/2006  | Luburic        |             |

**FOREIGN PATENT DOCUMENTS**

|    |          |        |
|----|----------|--------|
| CA | ID125054 | 4/2009 |
| CA | ID126678 | 4/2009 |
| GB | 2453055  | 3/2009 |

\* cited by examiner

*Primary Examiner*—Cynthia E Ramirez

(74) *Attorney, Agent, or Firm*—Ungaretti & Harris LLP

(57) **CLAIM**

The ornamental design for the refuse container, as shown and described in the accompanying figures.

**DESCRIPTION**

FIG. 1 is a front perspective view of the refuse container according to the present invention;

FIG. 2 is a side elevation view of one side of the refuse container of FIG. 1;

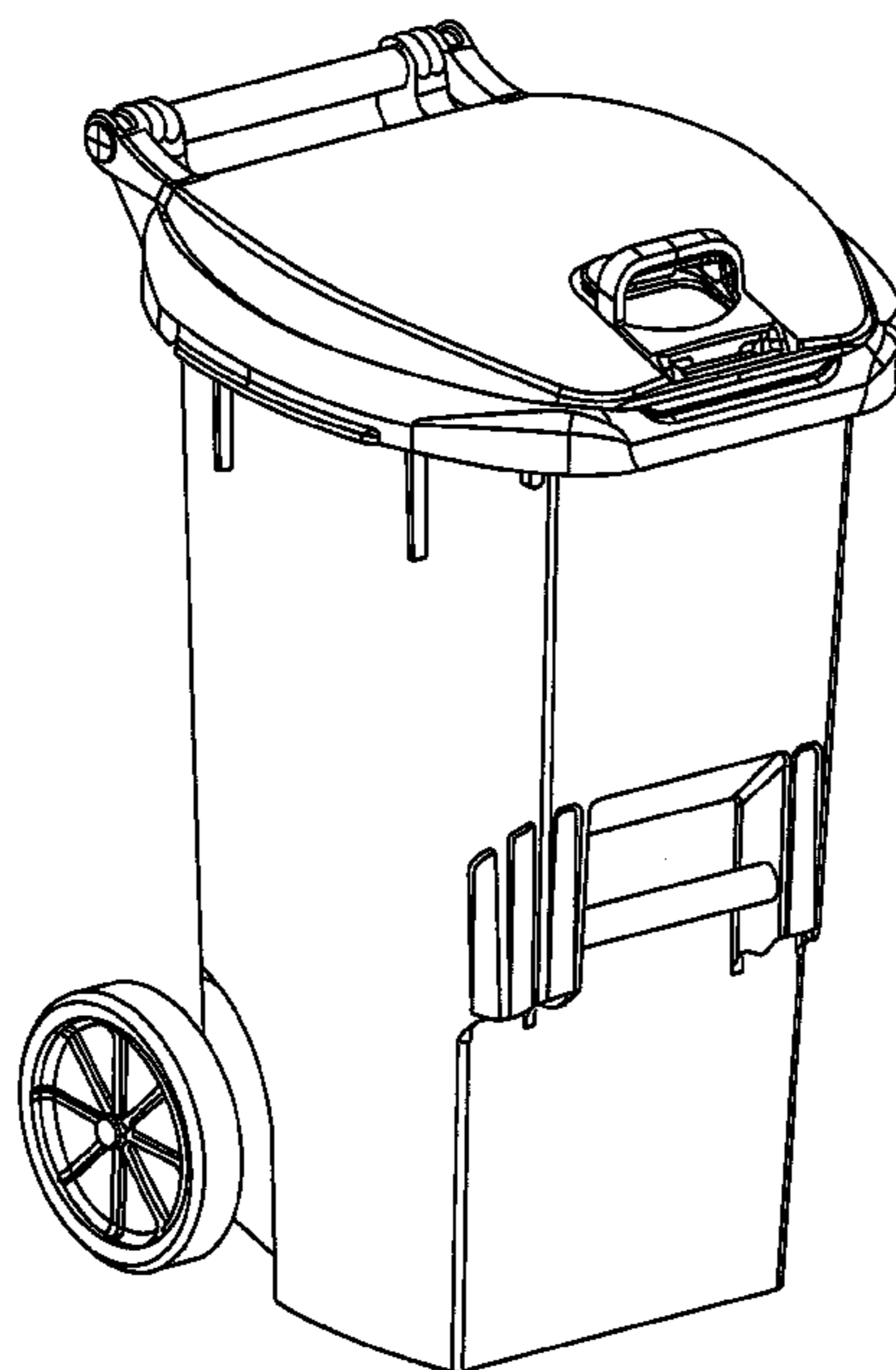
FIG. 3 is a side elevation view of the opposite side of the refuse container of FIG. 2;

FIG. 4 is a top plan view of the refuse container of FIG. 1;

FIG. 5 is a front elevation view of the refuse container of FIG. 1; and,

FIG. 6 is a rear elevation view of the refuse container of FIG. 1.

**1 Claim, 6 Drawing Sheets**



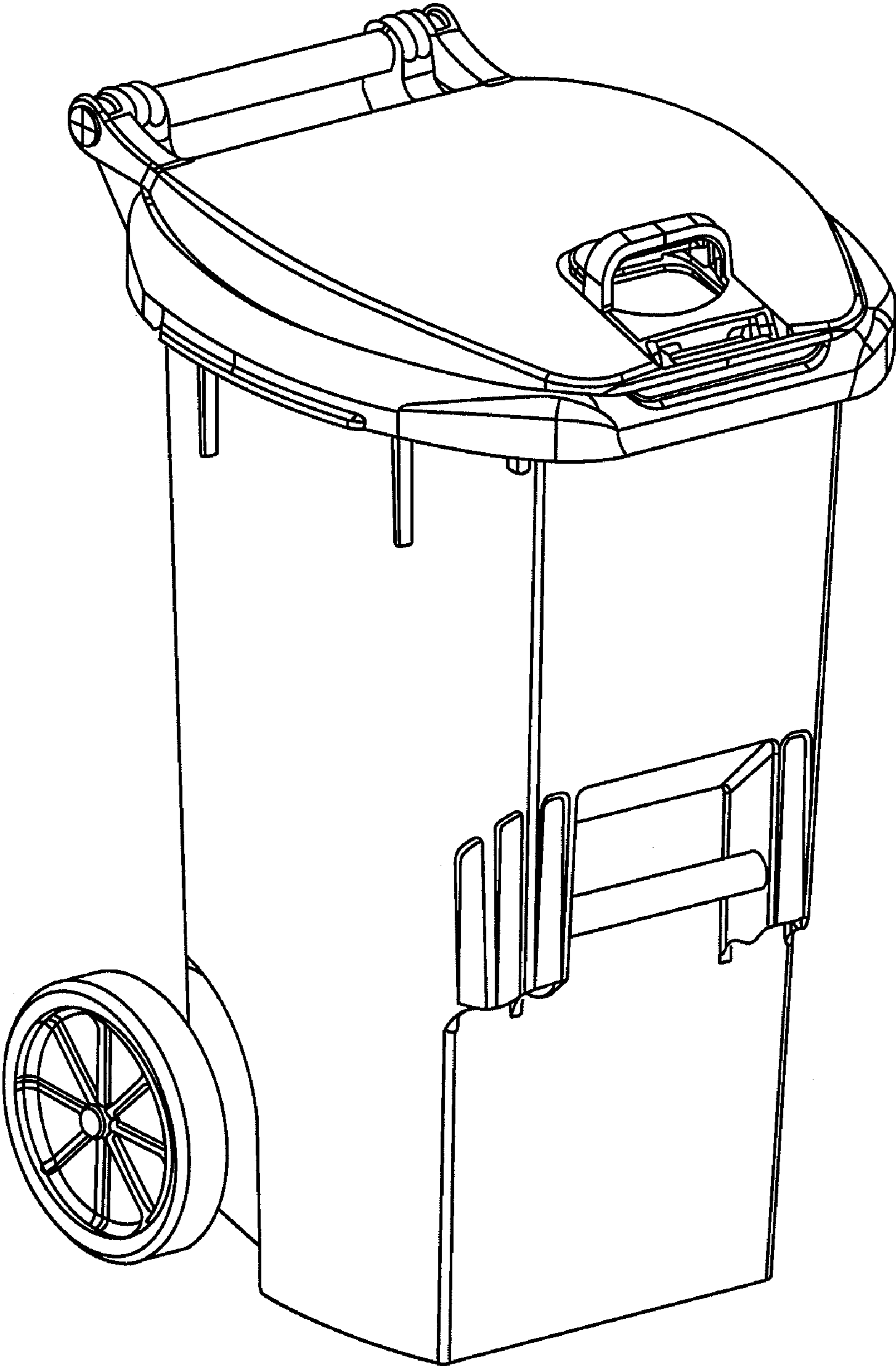


FIG. 1

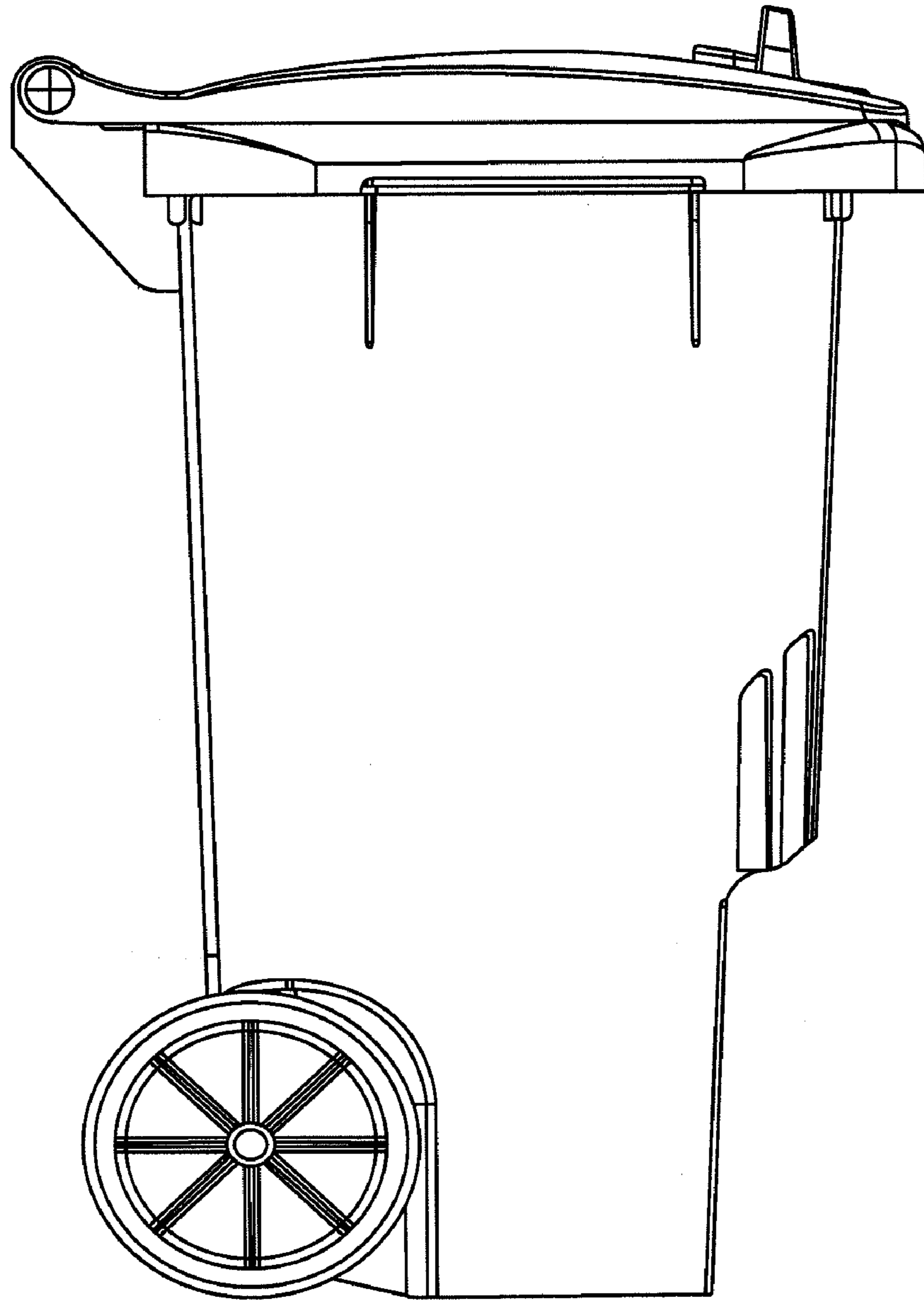


FIG. 2

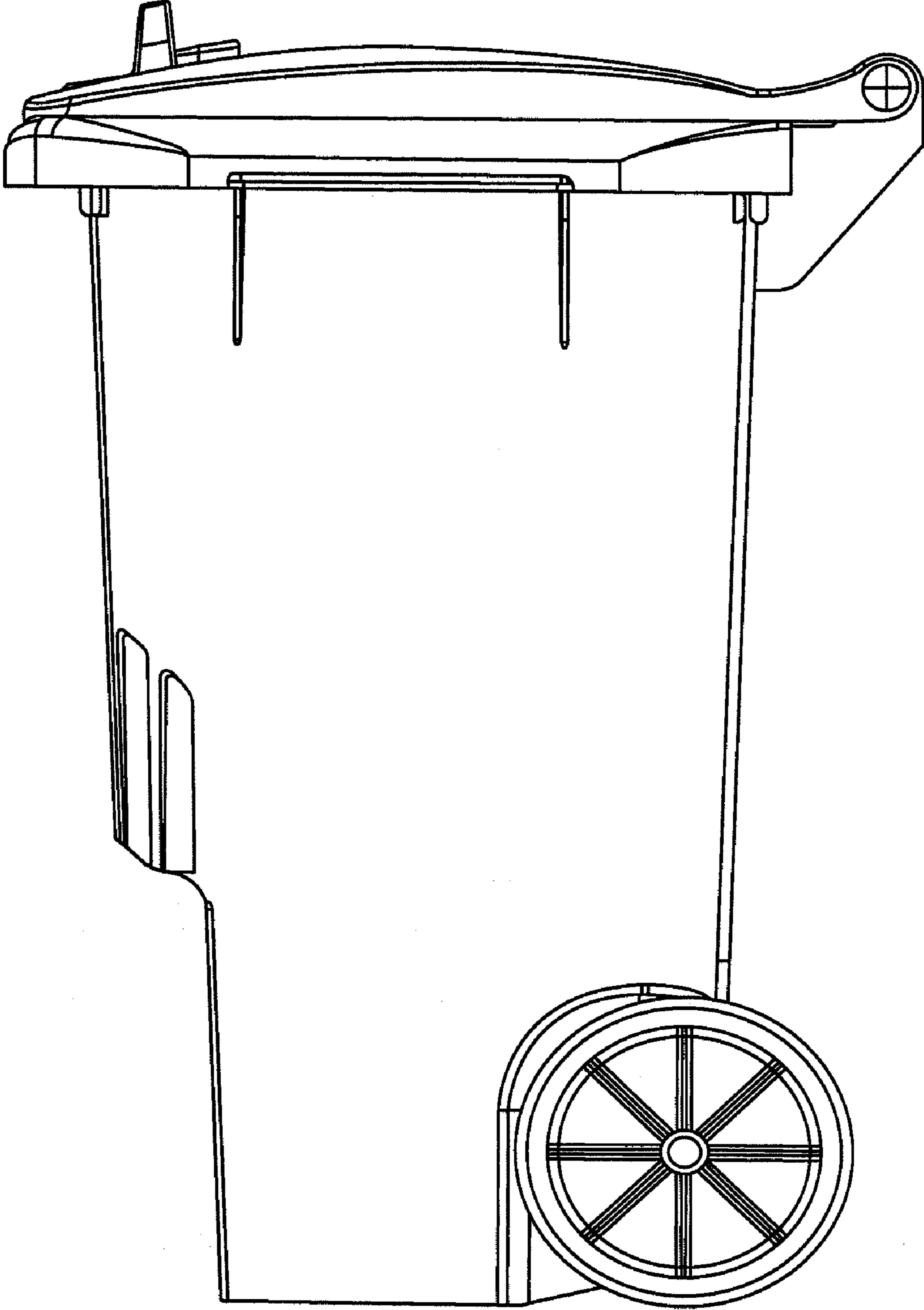


FIG. 3

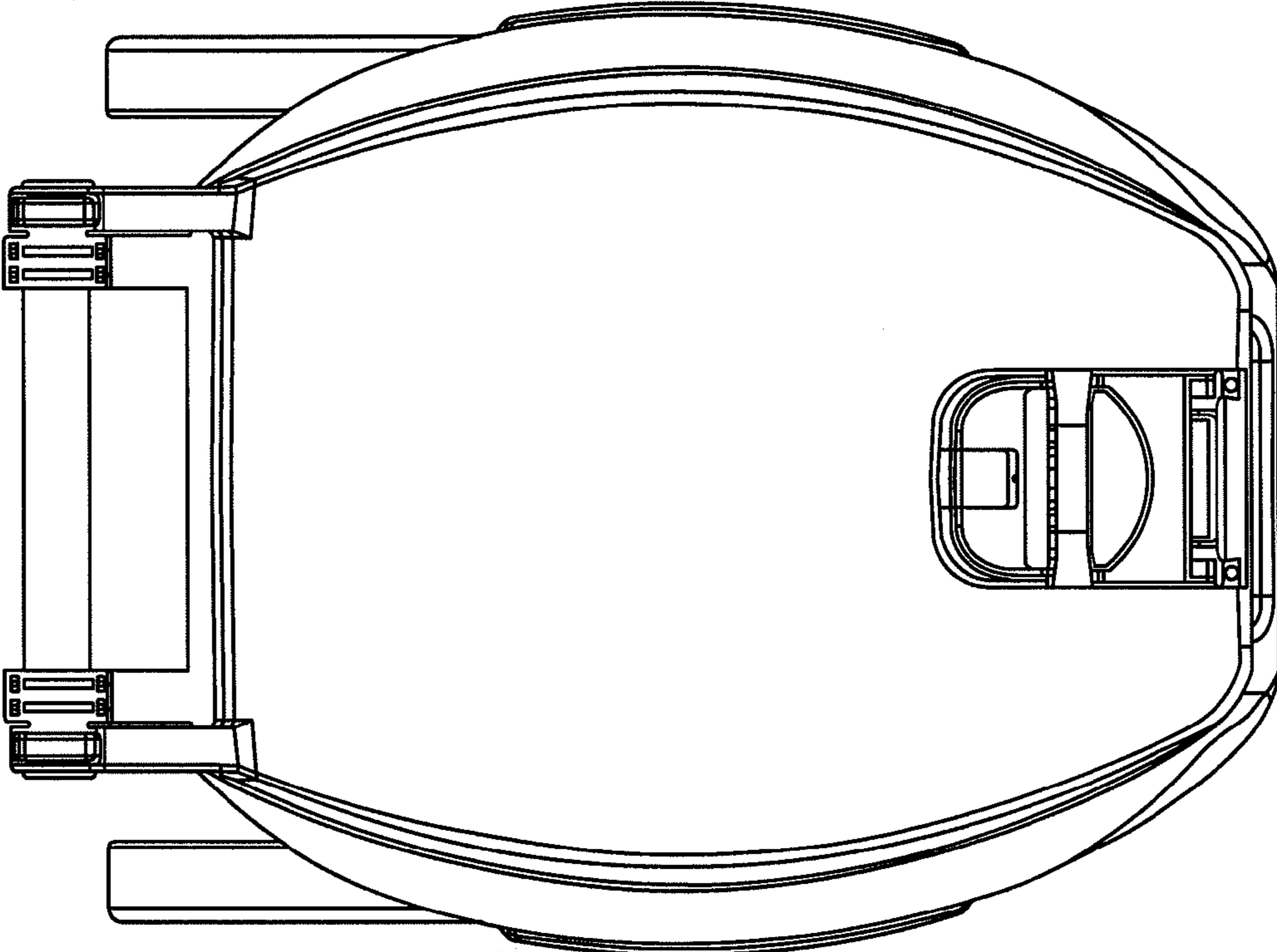


FIG. 4

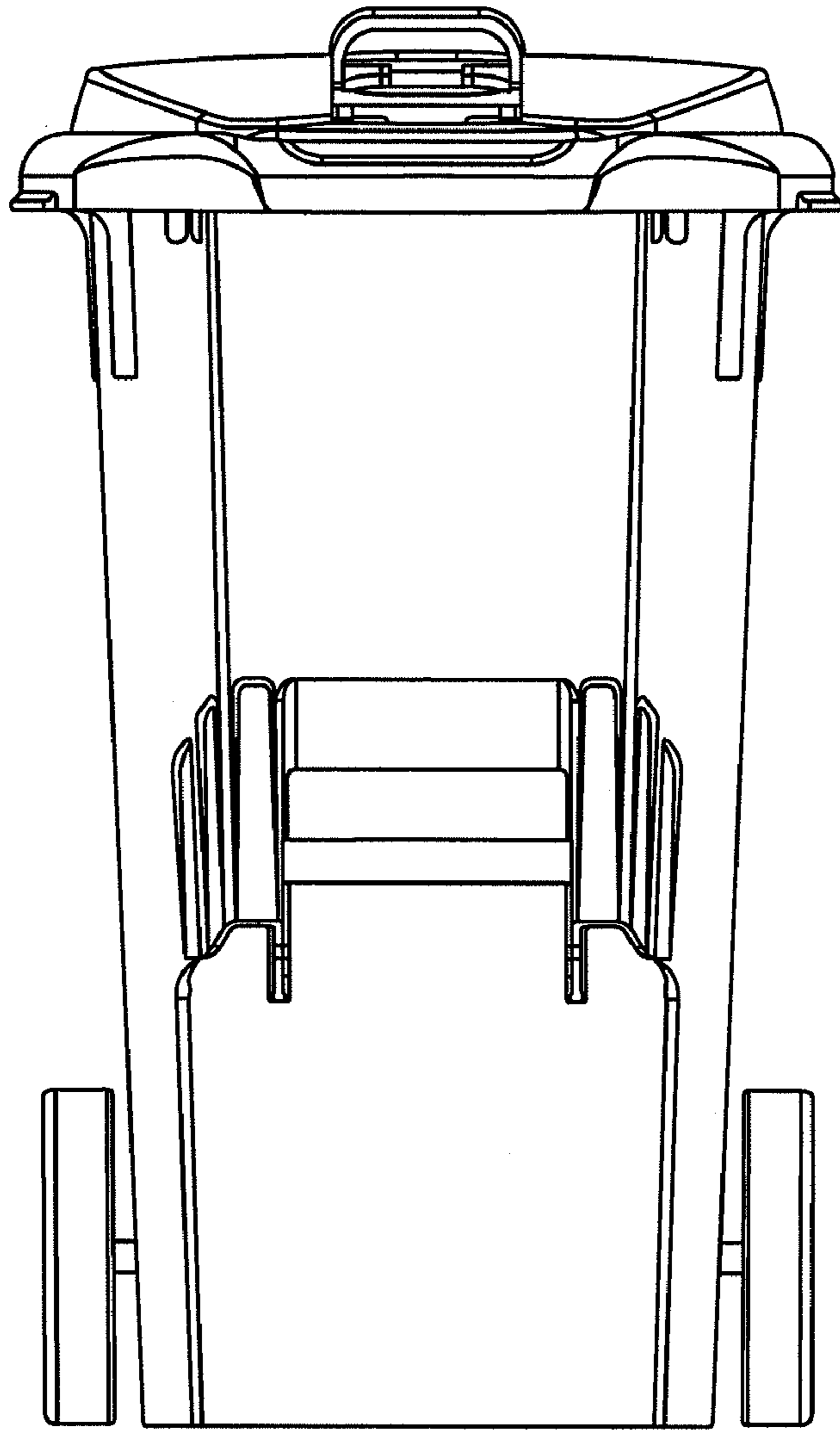


FIG. 5



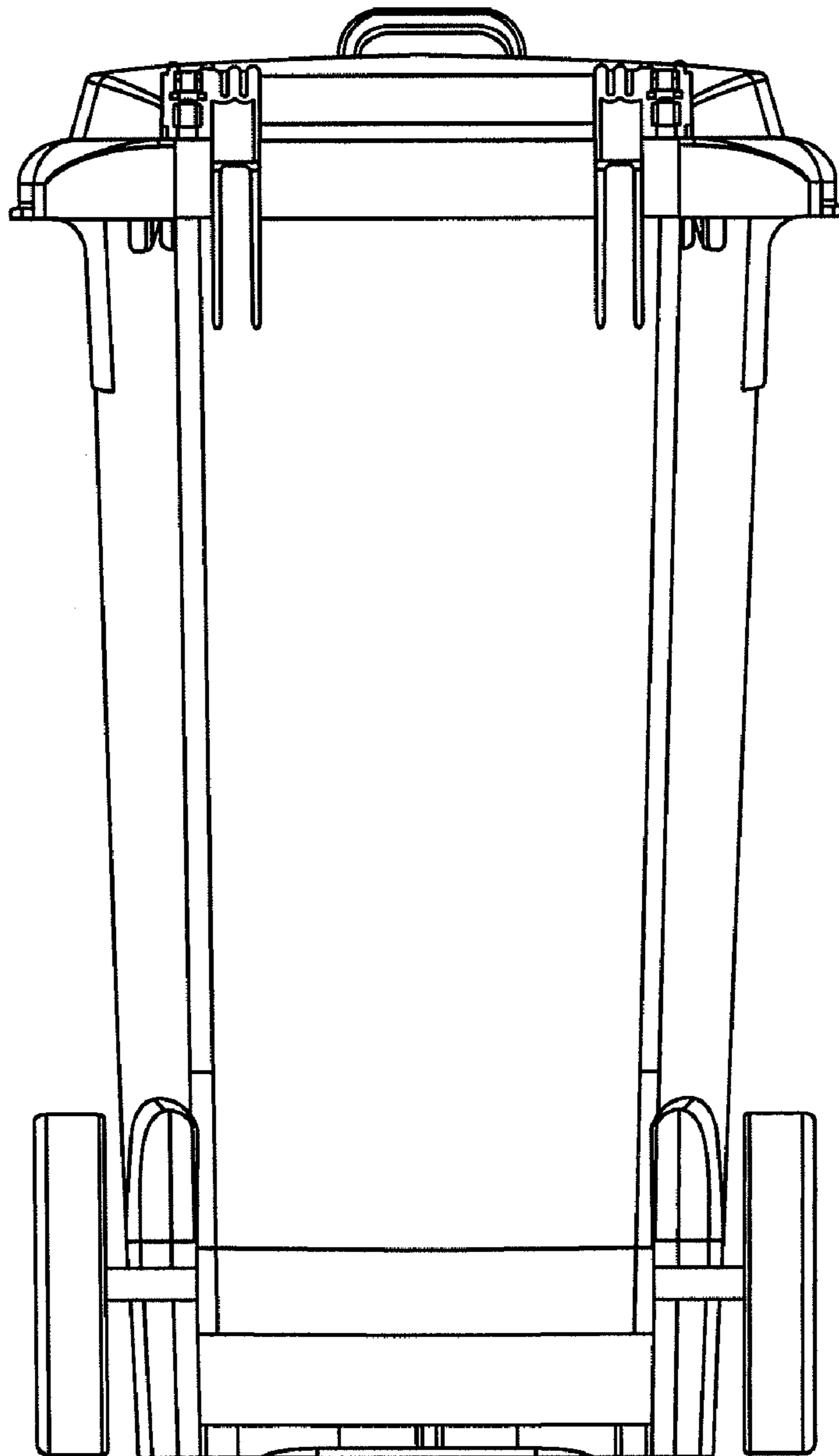


FIG. 6