



US00D624718S

(12) **United States Design Patent**
Kane

(10) **Patent No.:** **US D624,718 S**

(45) **Date of Patent:** **** Sep. 28, 2010**

(54) **DEVICE FOR CLEANING HVAC COILS**

6,926,209 B2 * 8/2005 Cannon 239/100

(75) Inventor: **Timothy Kane**, Greenwich, CT (US)

* cited by examiner

(73) Assignee: **Goodway Technologies Corporation**,
Stamford, CT (US)

Primary Examiner—Robin V Webster
(74) *Attorney, Agent, or Firm*—Patrick J. Walsh

(**) Term: **14 Years**

(57) **CLAIM**

(21) Appl. No.: **29/316,086**

The ornamental design for a device for cleaning HVAC coils,
as shown and described.

(22) Filed: **Aug. 21, 2009**

DESCRIPTION

(51) **LOC (9) Cl.** **08-99**

(52) **U.S. Cl.** **D32/35; D23/213**

(58) **Field of Classification Search** D23/213,
D23/223; D32/35; 239/273, 279, 566, 337;
134/172

See application file for complete search history.

FIG. 1 is a perspective view of device for cleaning HVAC
coils, showing my new design;

FIG. 2 is a front side elevation view thereof;

FIG. 3 is a rear side elevation view thereof;

FIG. 4 is a right side elevation view thereof;

FIG. 5 is a left side elevation view thereof; and,

FIG. 6 is a plan view thereof.

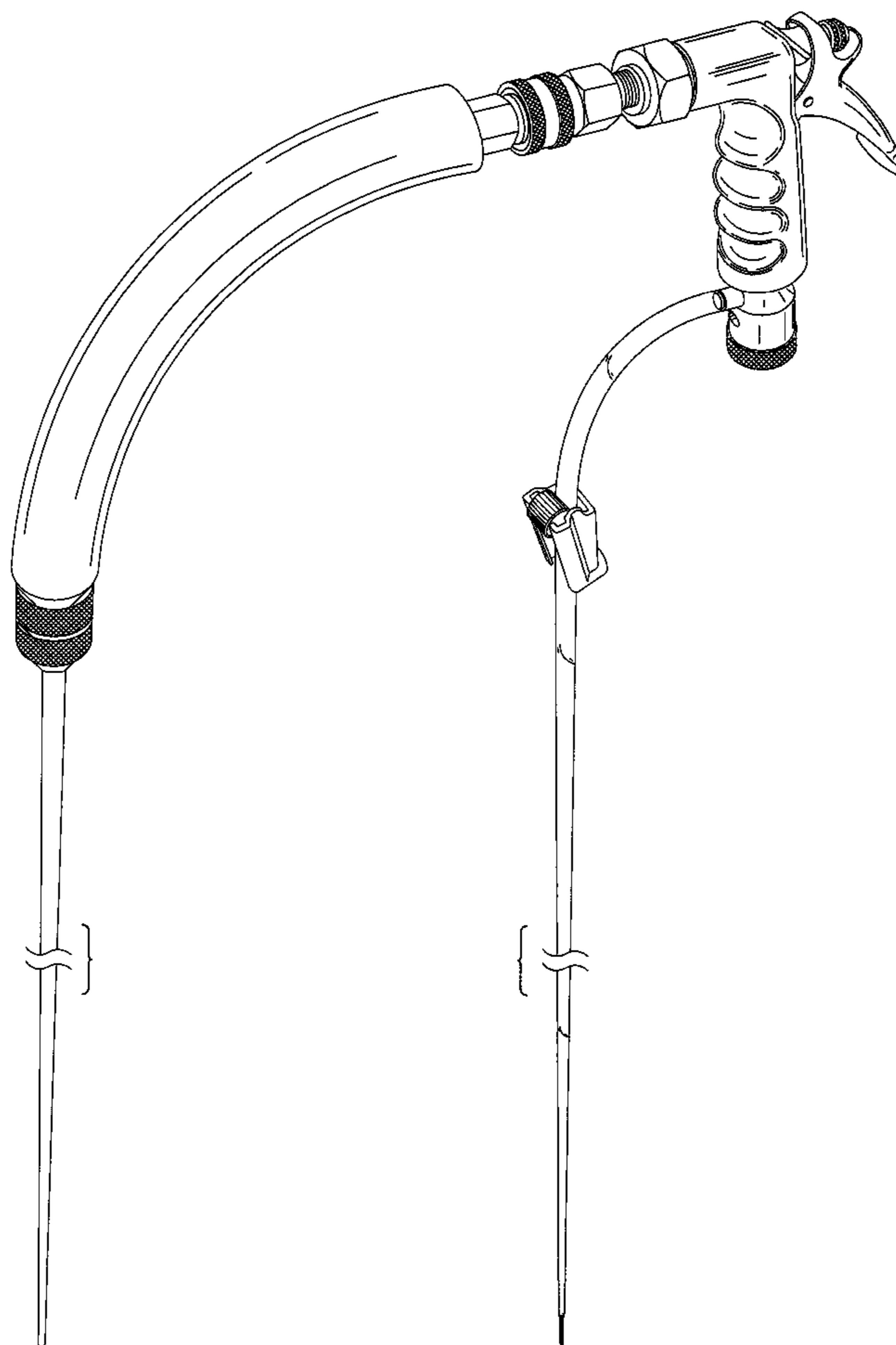
The claimed design is shown fragmented to indicate indeter-
minate length.

(56) **References Cited**

U.S. PATENT DOCUMENTS

3,844,449	A *	10/1974	Alter	222/175
5,100,058	A *	3/1992	Wei	239/273
6,155,498	A *	12/2000	Yamamoto	239/373
6,736,339	B1 *	5/2004	Mayers	239/566

1 Claim, 5 Drawing Sheets



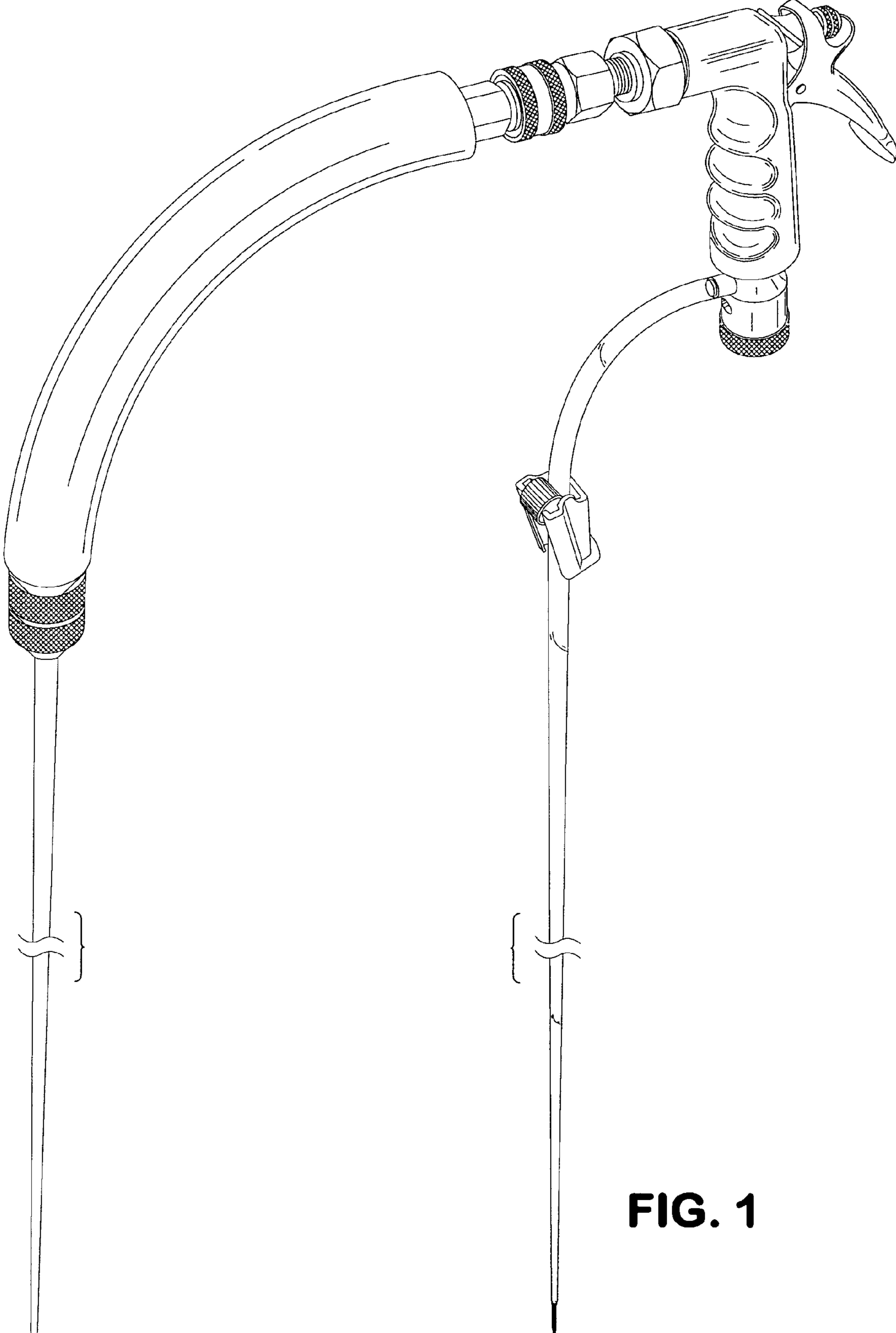


FIG. 1

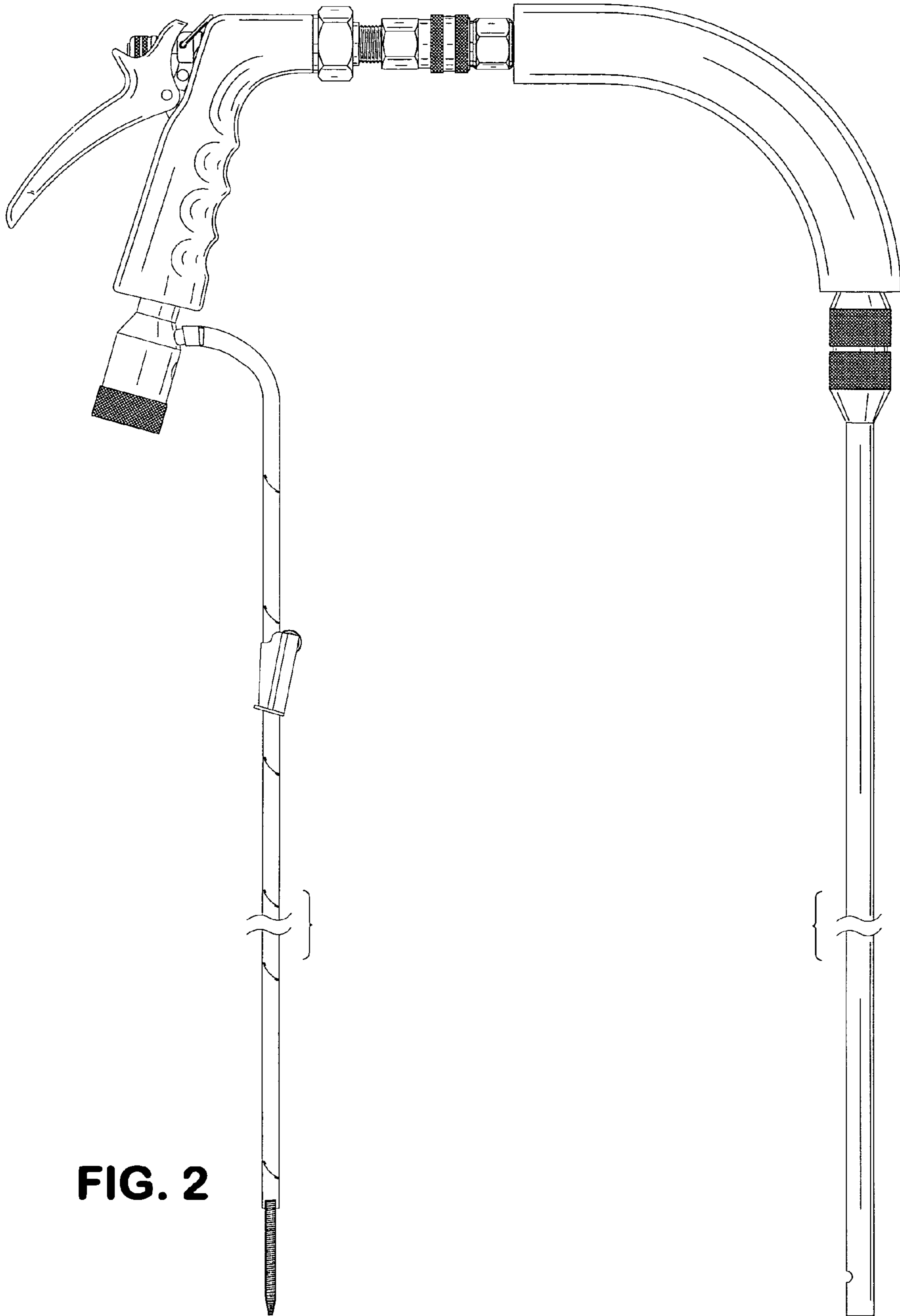


FIG. 2

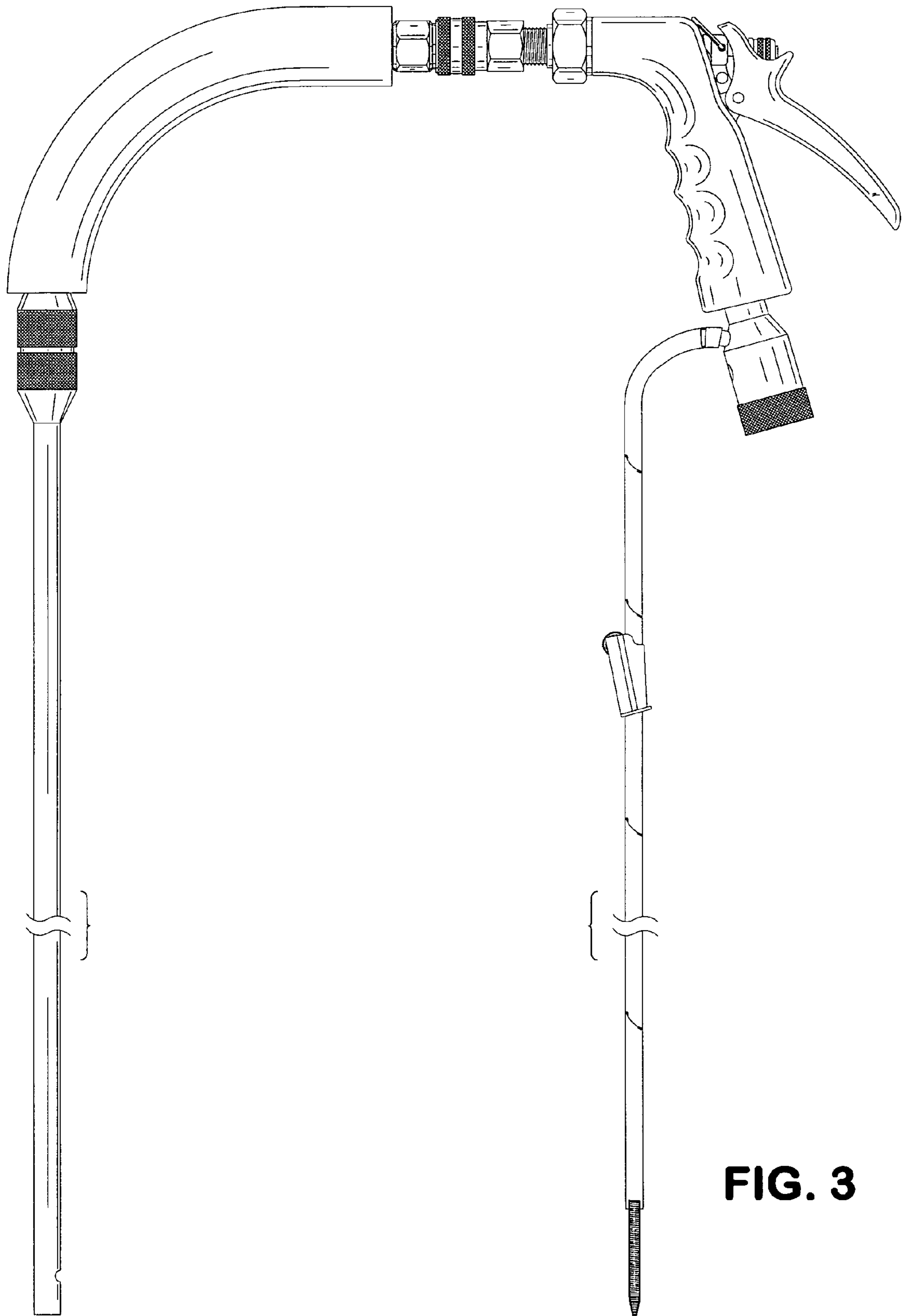


FIG. 3

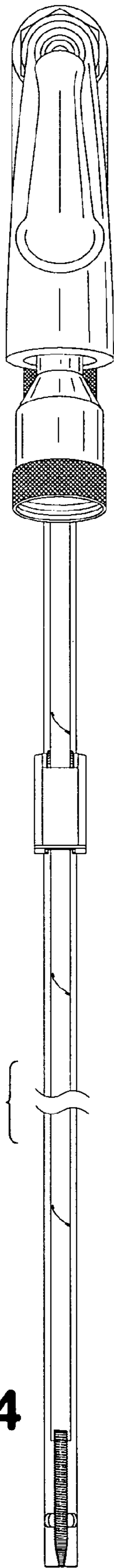


FIG. 4

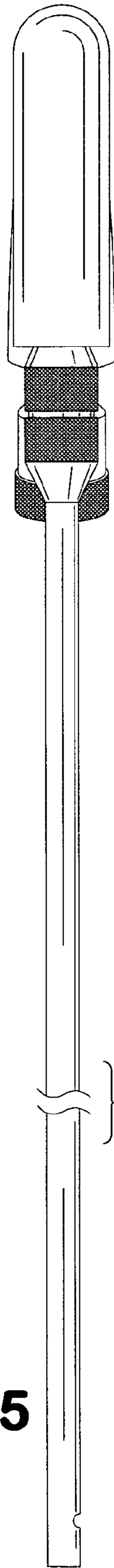


FIG. 5

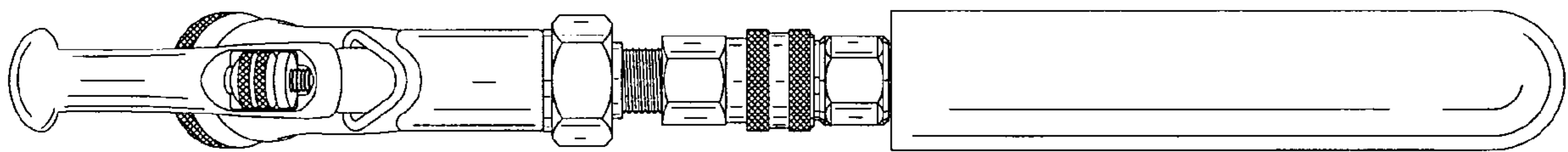


FIG. 6