



US00D624717S

(12) **United States Design Patent**
Roschi

(10) **Patent No.:** **US D624,717 S**
(45) **Date of Patent:** **** Sep. 28, 2010**

(54) **SUCTION HEAD FOR A VACUUM CLEANER**

(75) Inventor: **Barbara Roschi**, Barbaiana di Lainate
MI (IT)

(73) Assignee: **DAVY S.r.l.**, Milan (IT)

(**) Term: **14 Years**

(21) Appl. No.: **29/311,724**

(22) Filed: **Jun. 5, 2009**

(30) **Foreign Application Priority Data**

Mar. 4, 2009 (EM) 1099352

(51) **LOC (9) Cl.** **15-05**

(52) **U.S. Cl.** **D32/32**

(58) **Field of Classification Search** D32/31-34;
15/414-422.1, 236.04, 144.4, 144.3, 406,
15/104.05, 383, 377, 412, 400-402, 387,
15/322, 344

See application file for complete search history.

(56) **References Cited**

U.S. PATENT DOCUMENTS

1,951,316 A * 3/1934 Allen 15/415.1
D242,212 S * 11/1976 Parise et al. D32/32
4,559,667 A * 12/1985 Fitzwater 15/415.1
D289,336 S * 4/1987 Fitzwater D32/32
D289,337 S * 4/1987 Fitzwater D32/32
5,184,372 A * 2/1993 Mache 15/401

D335,942 S * 5/1993 Furcron D32/32
D347,504 S * 5/1994 Furcron et al. D32/33
D353,918 S * 12/1994 Bruno et al. D32/32
5,768,748 A * 6/1998 Silvera et al. 15/402
D401,022 S * 11/1998 Mondigo D32/31
D538,986 S * 3/2007 Ingram D32/32
D566,357 S * 4/2008 Santiago D32/32
D590,111 S * 4/2009 Wiljanen et al. D32/32
7,661,175 B2 * 2/2010 Hollis 15/401
2009/0320234 A1 * 12/2009 Stoy et al. 15/415.1

* cited by examiner

Primary Examiner—Ruth McInroy

(74) *Attorney, Agent, or Firm*—Jacobson Holman PLLC

(57) **CLAIM**

The ornamental design for the suction head for a vacuum cleaner, as shown and described.

DESCRIPTION

FIG. 1 is a perspective view of a suction head for a vacuum cleaner showing our new design;

FIG. 2 is a right side elevational view thereof;

FIG. 3 is a left side elevational view thereof;

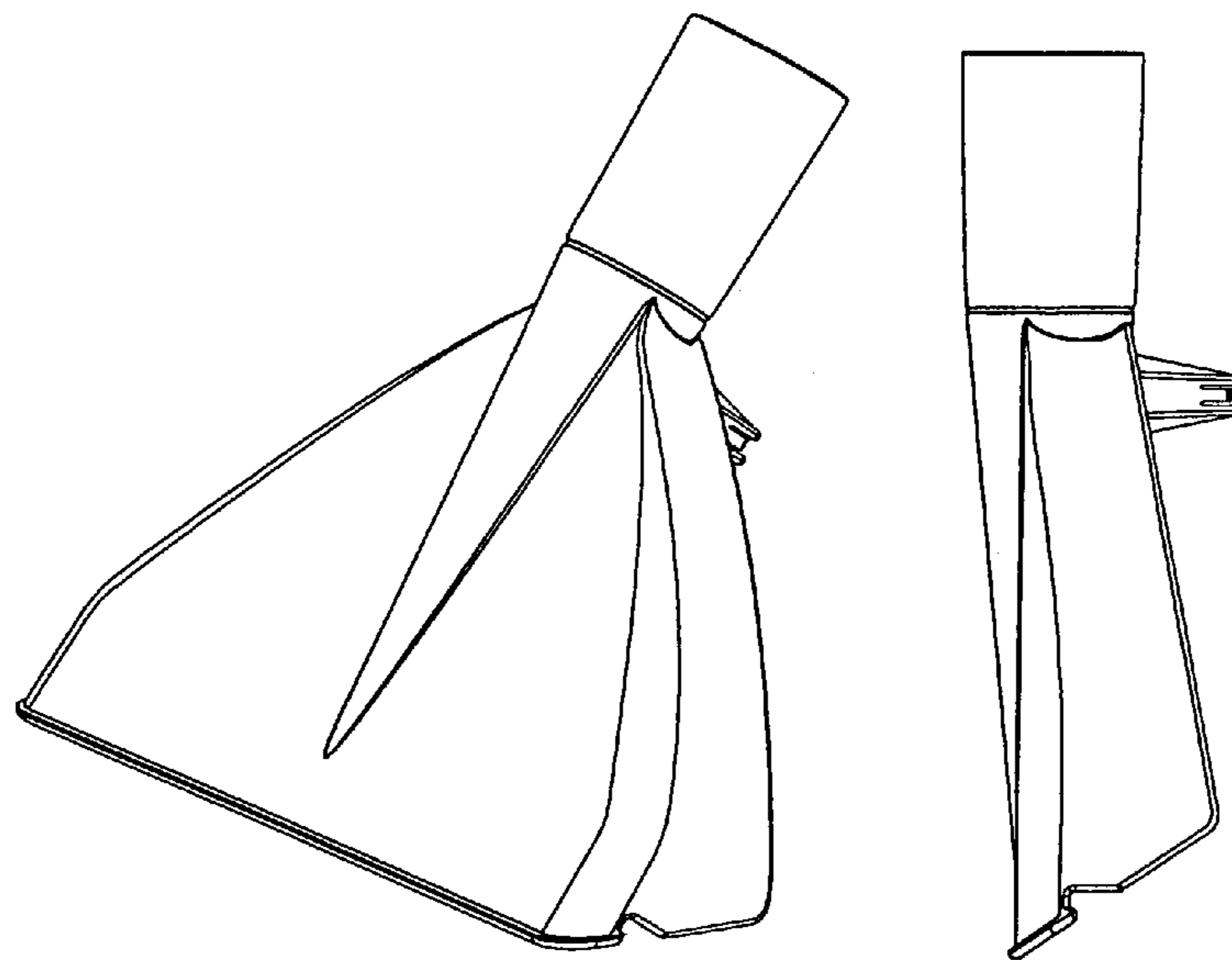
FIG. 4 is a front elevational view thereof;

FIG. 5 is a rear elevational view thereof;

FIG. 6 is a top plan view thereof; and,

FIG. 7 is a bottom plan view thereof.

1 Claim, 3 Drawing Sheets



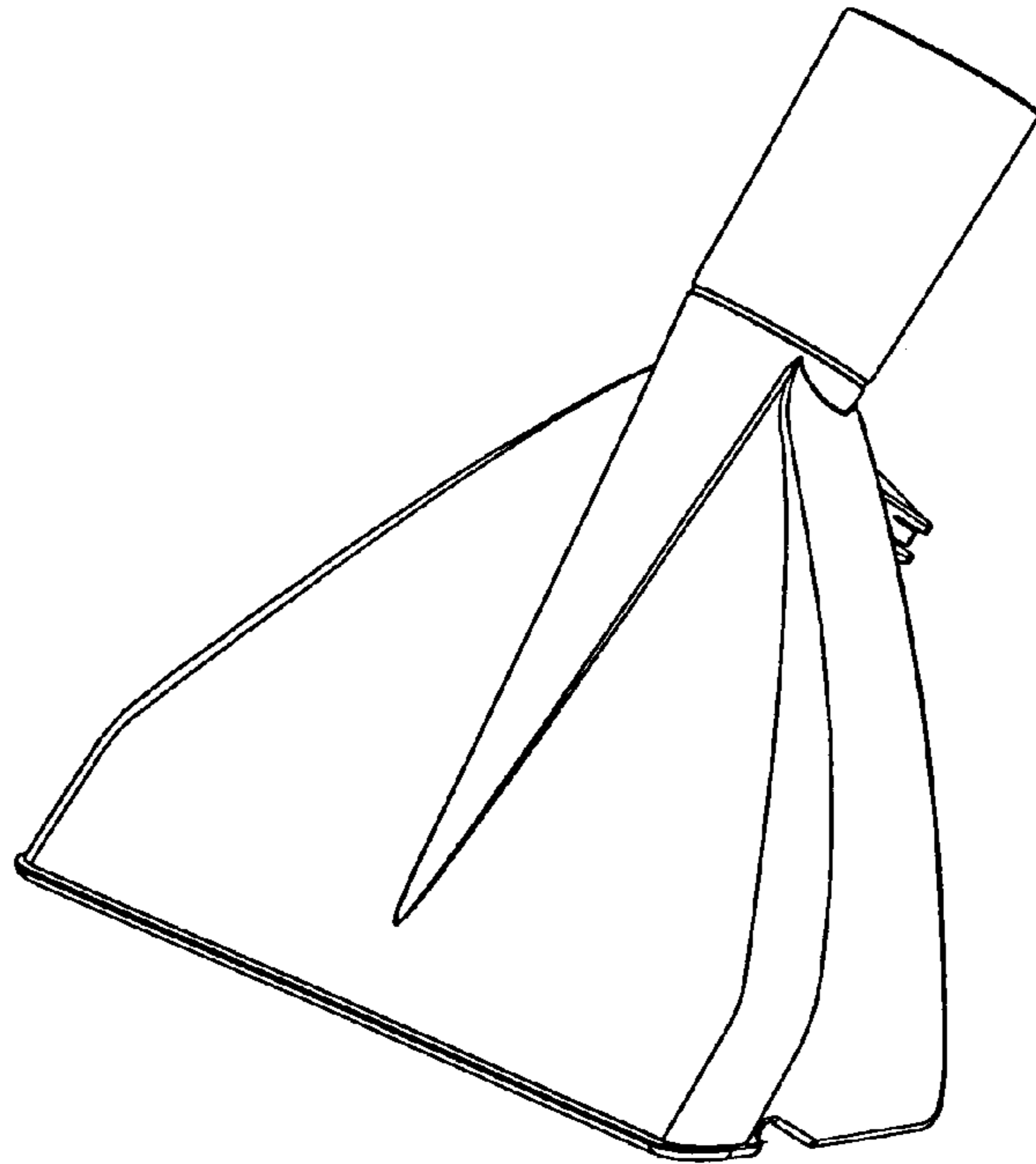


Fig. 1

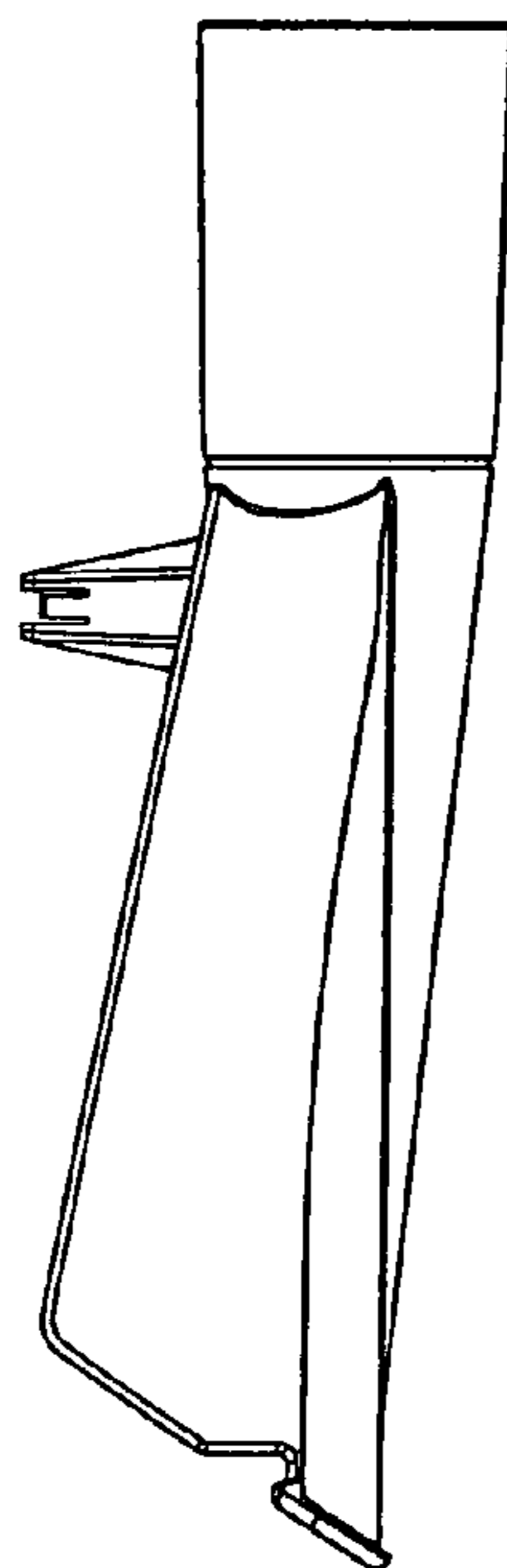


Fig. 2

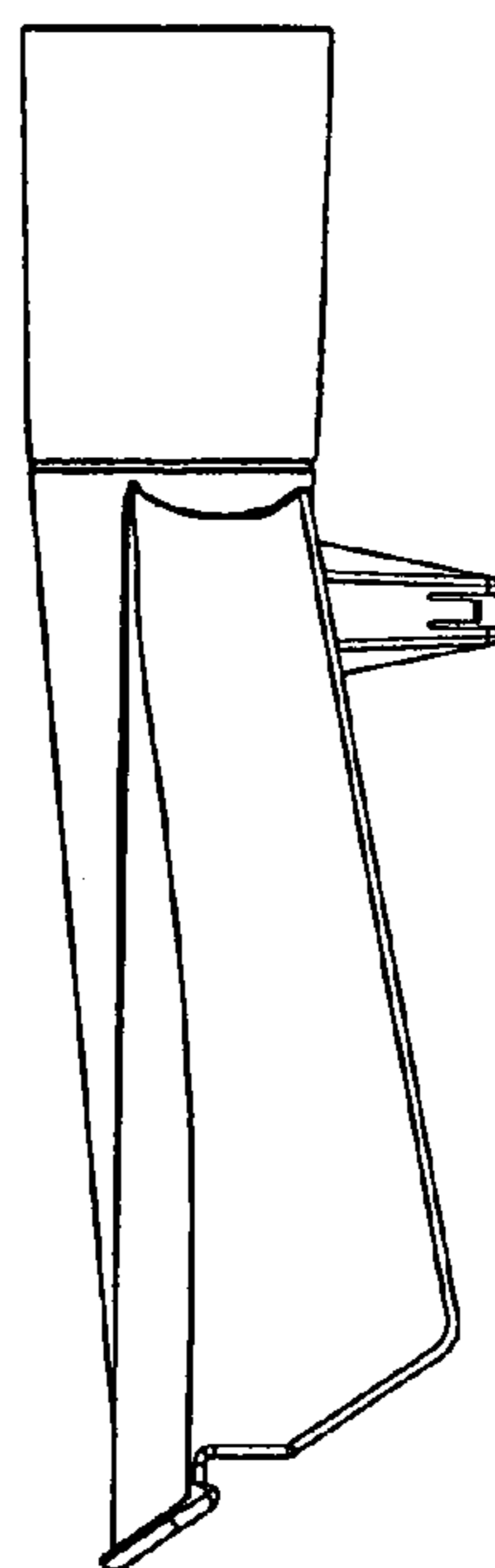


Fig. 3

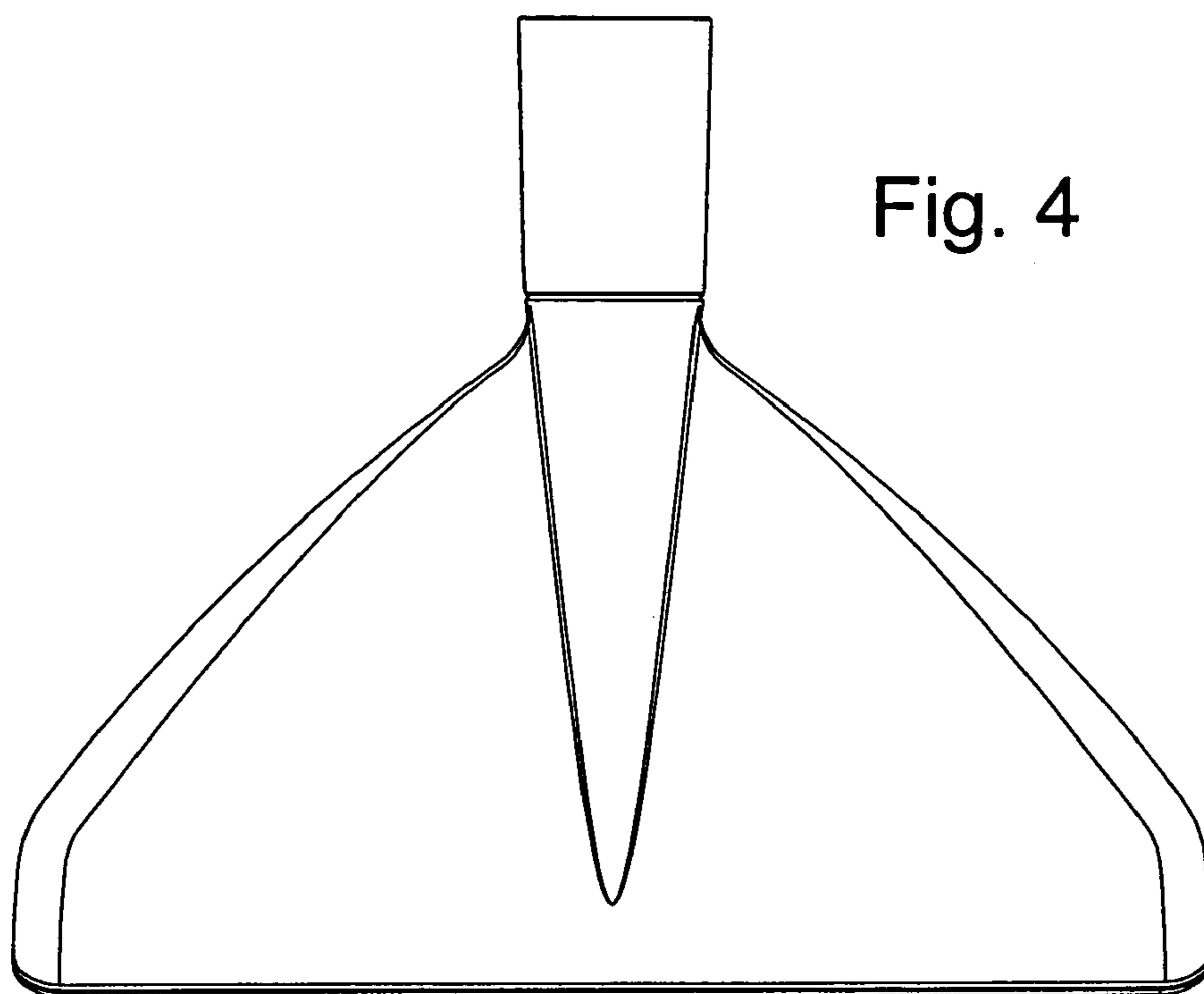


Fig. 4

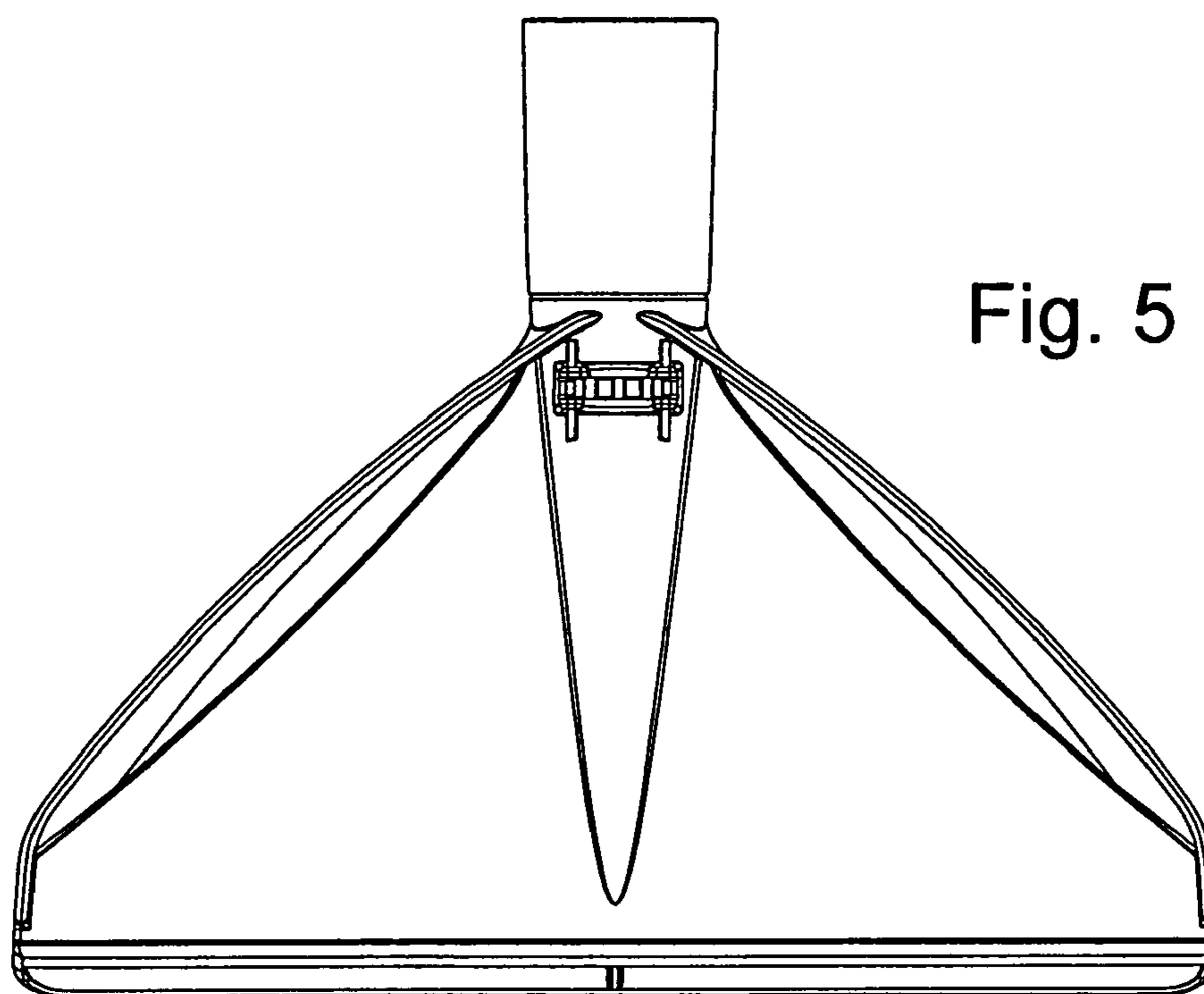


Fig. 5

Fig. 6

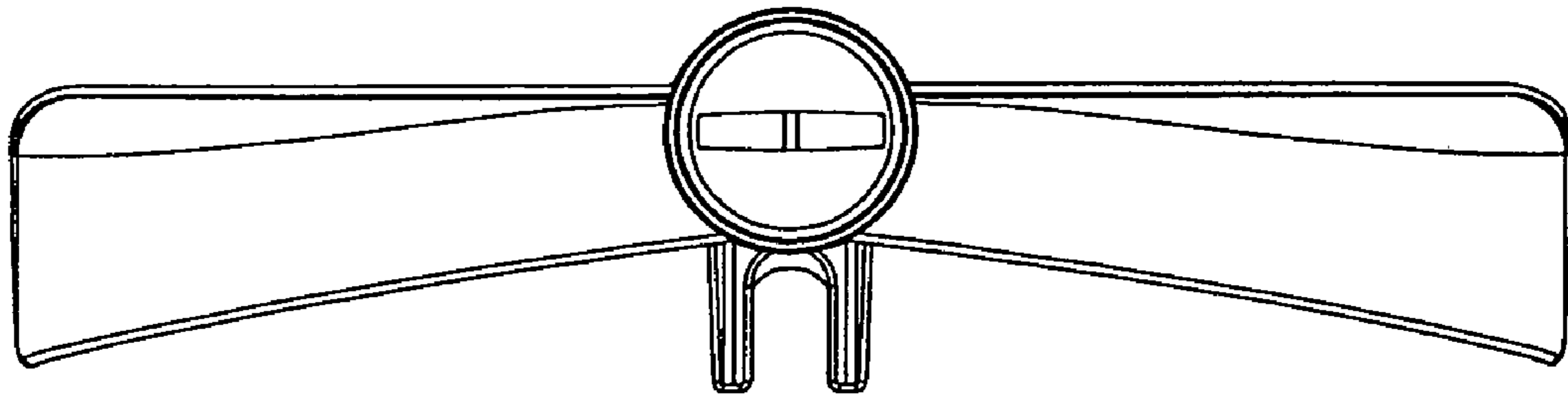


Fig. 7

