



US00D624714S

(12) **United States Design Patent**
Brochu

(10) **Patent No.:** **US D624,714 S**

(45) **Date of Patent:** **** Sep. 28, 2010**

(54) **DOG WASTE CARRIER**

(76) Inventor: **Monica G. Brochu**, 10727 Bothwell Rd., Chatsworth, CA (US) 91311

(**) Term: **14 Years**

(21) Appl. No.: **29/351,151**

(22) Filed: **Dec. 1, 2009**

(51) **LOC (9) Cl.** **30-99**

(52) **U.S. Cl.** **D30/162**

(58) **Field of Classification Search** D30/162;
D3/229, 244; D9/430; 119/795; 294/1.3-1.5,
294/19.1, 49, 50, 50.5, 55

See application file for complete search history.

(56) **References Cited**

U.S. PATENT DOCUMENTS

1,406,505	A *	2/1922	Sims	D3/244
3,971,503	A *	7/1976	Allan et al.	294/1.3
4,017,015	A *	4/1977	Jefferson	294/1.3
4,468,933	A *	9/1984	Christopher	62/457.1
D334,638	S *	4/1993	Blackman	D30/162
D374,975	S *	10/1996	Vargas et al.	D3/244

(Continued)

Primary Examiner—Cathy Anne MacCormac

(74) *Attorney, Agent, or Firm*—QuickPatents, Inc.; Kevin Prince

(57) **CLAIM**

I claim the ornamental design for a dog waste carrier, as shown and described.

DESCRIPTION

FIG. 1 is a perspective view of a dog waste carrier, illustrated in an expanded configuration with a top thereof in an open position, showing my new design;

FIG. 2 is a front elevational view thereof, illustrated in the expanded configuration with the top in the open position;

FIG. 3 is a rear elevational view thereof, illustrated in the expanded configuration with the top in the open position;

FIG. 4 is a right-side elevational view thereof, illustrated in the expanded configuration with the top in the open position;

FIG. 5 is a left-side elevational view thereof, illustrated in the expanded configuration with the top in the open position;

FIG. 6 is a top plan view thereof, illustrated in the expanded configuration with the top in the open position;

FIG. 7 is a bottom plan view thereof, illustrated in the expanded configuration with the top in the open position;

FIG. 8 is a perspective view thereof, illustrated in a bag-synched configuration with the top in the open position;

FIG. 9 is a perspective view thereof, illustrated in the expanded configuration with the top in a closed position;

FIG. 10 is a rear elevational view thereof, illustrated in the expanded configuration with the top in the closed position;

FIG. 11 is a perspective view thereof in a collapsed configuration, showing the strap pulled around the carrier from the top to the bottom to maintain the collapsed configuration;

FIG. 12 is a front elevational view of FIG. 11;

FIG. 13 is a rear elevational view of FIG. 11;

FIG. 14 is a right-side elevational view of FIG. 11;

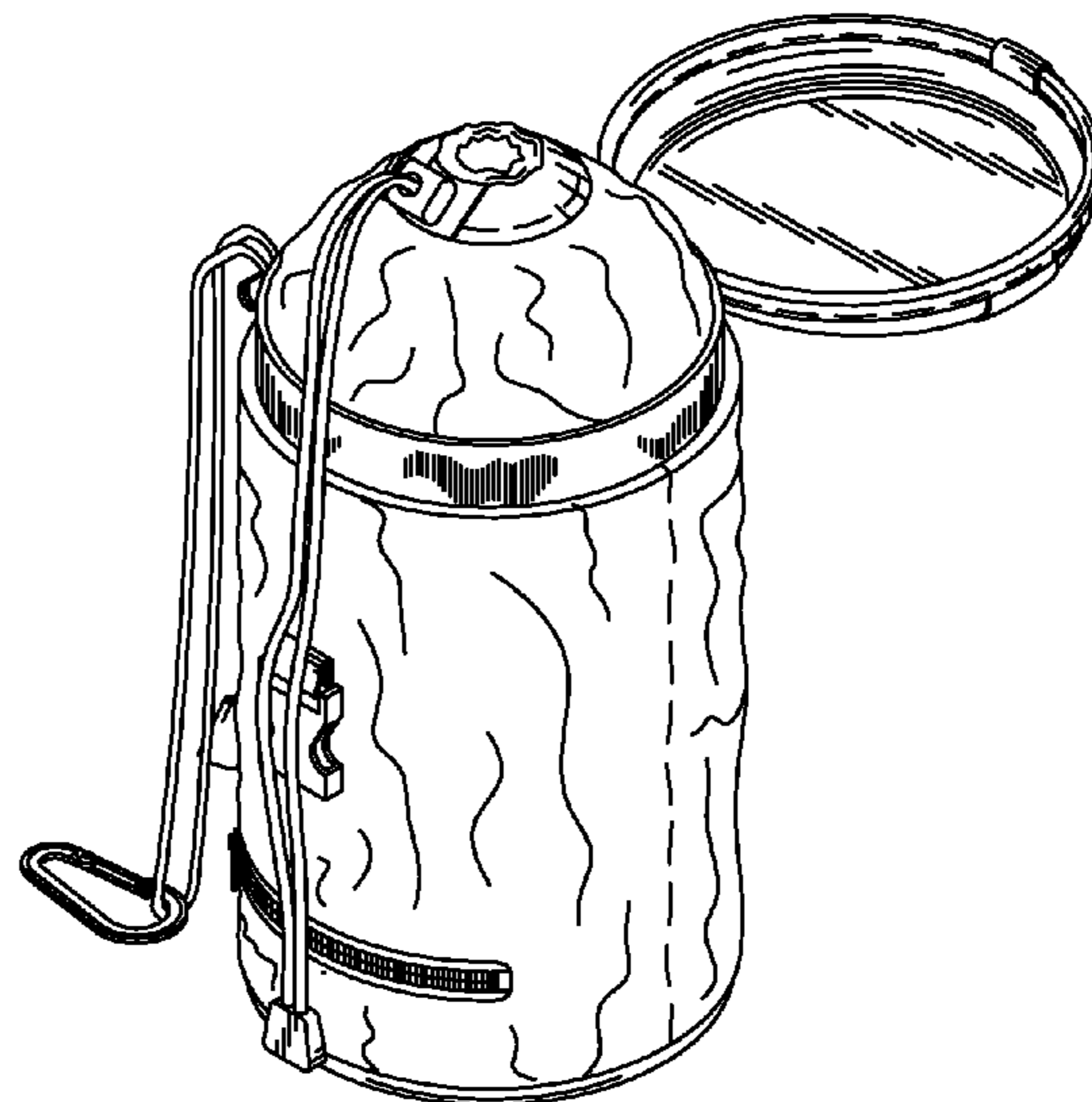
FIG. 15 is a left-side elevational view of FIG. 11;

FIG. 16 is a top plan view of FIG. 11; and,

FIG. 17 is a bottom plan view of FIG. 11.

The broken lines in the figures represent stitching.

1 Claim, 4 Drawing Sheets



US D624,714 S

Page 2

U.S. PATENT DOCUMENTS

D384,780	S *	10/1997	McLaughlin	D30/162	D537,627	S *	3/2007	Vazquez	D3/244
D386,840	S *	11/1997	Sturm	D30/162	D539,525	S *	4/2007	Contreras	D3/203.8
5,718,192	A *	2/1998	Sebastian	119/795	D544,312	S *	6/2007	Dill-Schmidt et al.	D7/624.3
D392,095	S *	3/1998	Myers et al.	D3/229	D567,595	S *	4/2008	Christopher	D7/607
D393,779	S *	4/1998	Cabey	D7/607	D577,483	S *	9/2008	Tagliati et al.	D3/202
D436,236	S *	1/2001	Boyd et al.	D30/162	D609,454	S *	2/2010	Porter-Young	D3/202
6,237,533	B1 *	5/2001	Rodriguez	119/161	2004/0004363	A1 *	1/2004	Drewery	294/19.1
D453,067	S *	1/2002	Cody	D3/215	2007/0089688	A1 *	4/2007	Nitzsche et al.	119/795
D476,151	S *	6/2003	Peterson	D3/254	2008/0179902	A1 *	7/2008	Phillips et al.	294/1.3
D490,943	S *	6/2004	Logan	D30/162	2009/0315350	A1 *	12/2009	Allen	294/1.3
D507,851	S *	7/2005	Tsengas et al.	D30/162	2010/0018468	A1 *	1/2010	Rabello	119/61.56
D511,895	S *	11/2005	Vish et al.	D3/318	2010/0024741	A1 *	2/2010	Schoppman	119/795
						2010/0026022	A1 *	2/2010	Welch	294/1.3

* cited by examiner



FIG. 1

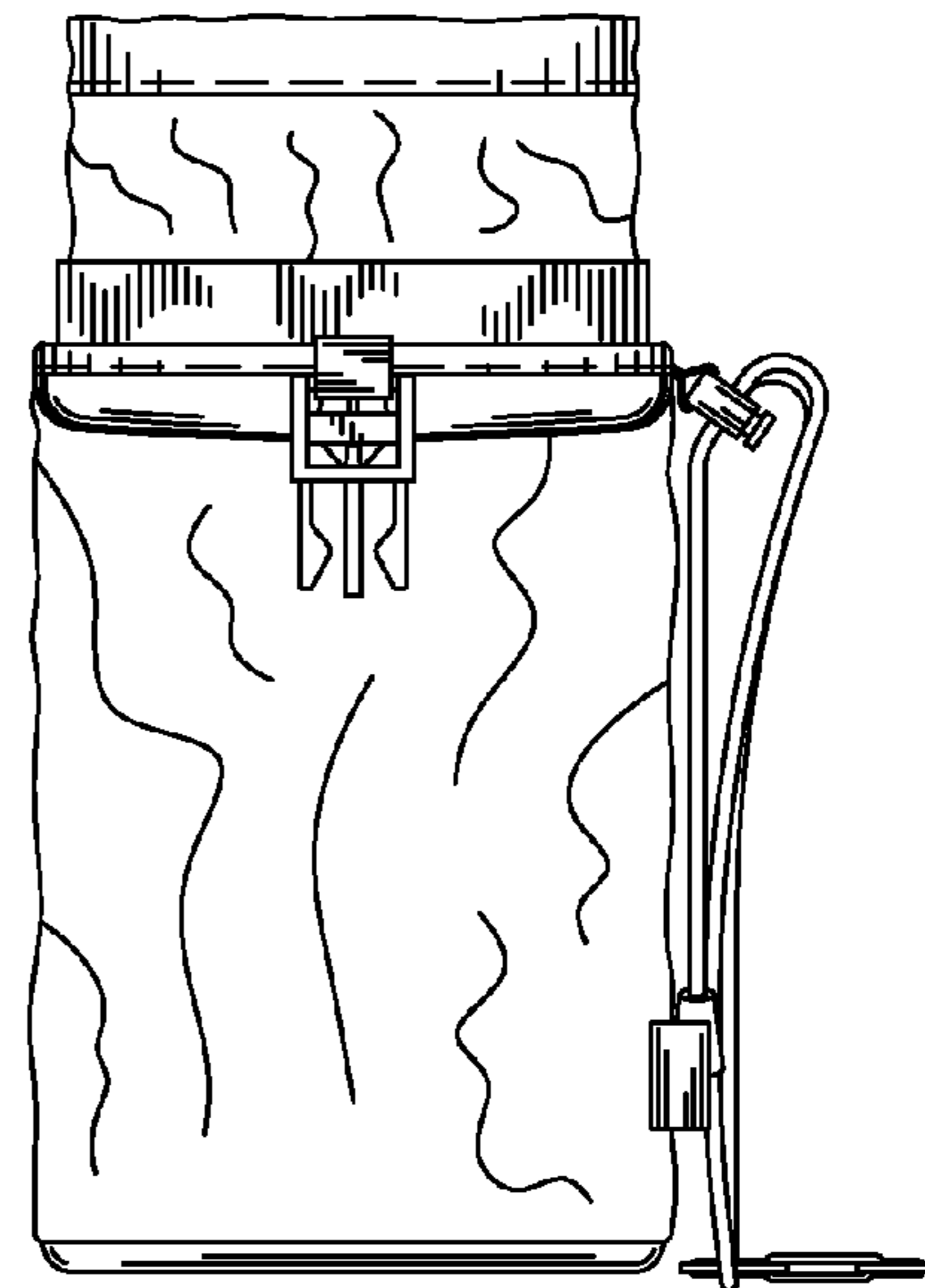


FIG. 3

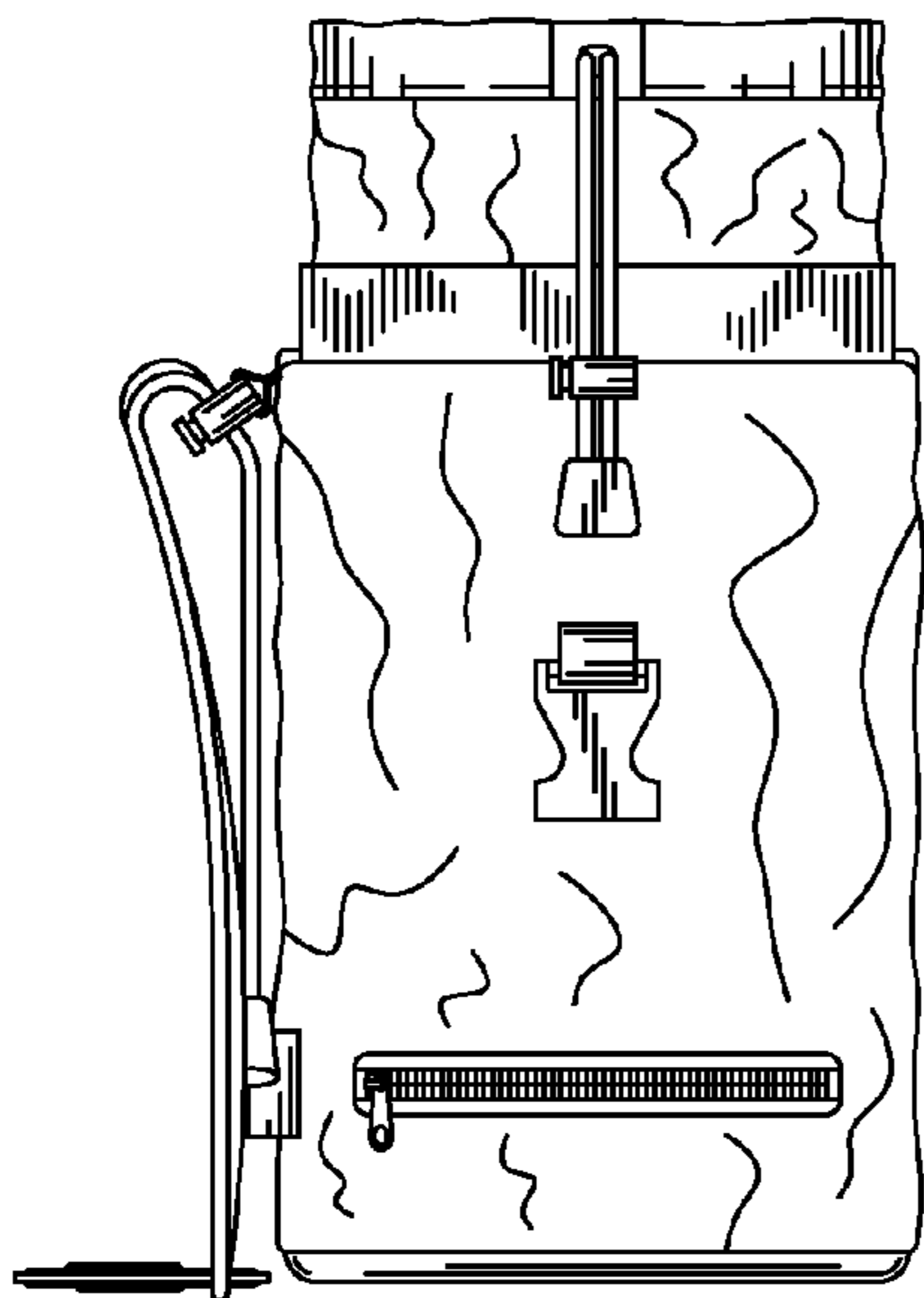


FIG. 2

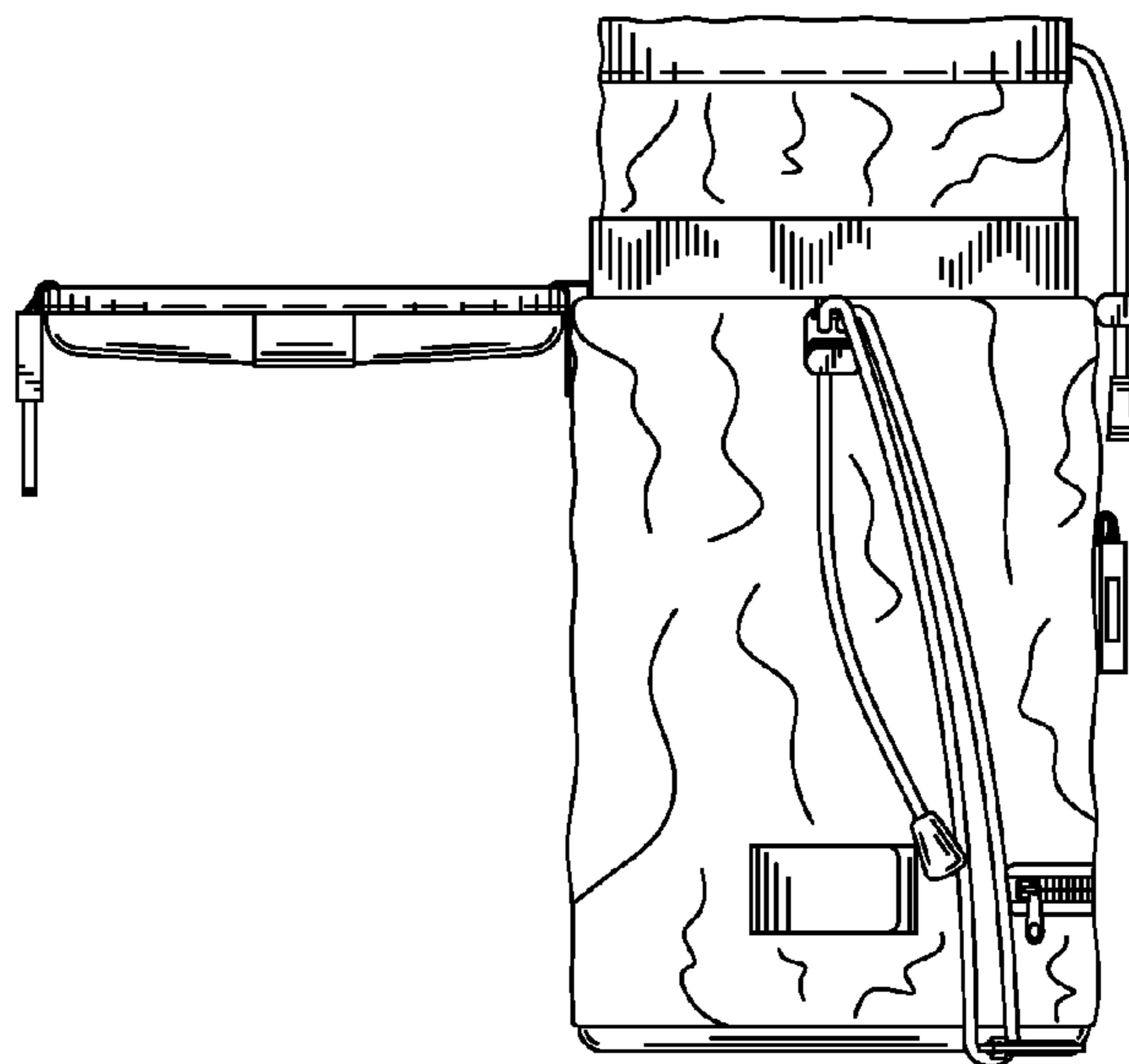


FIG. 4

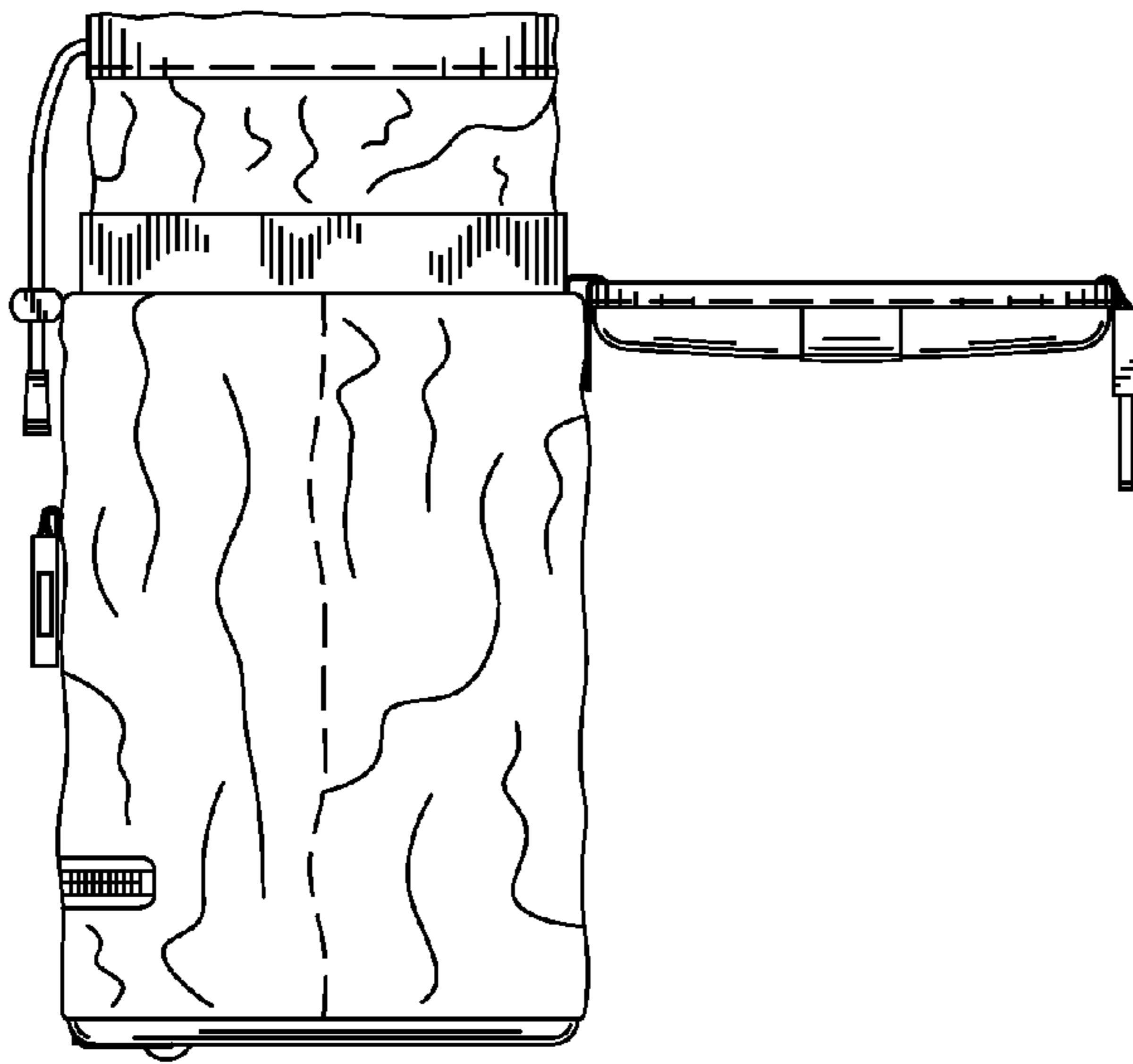


FIG. 5

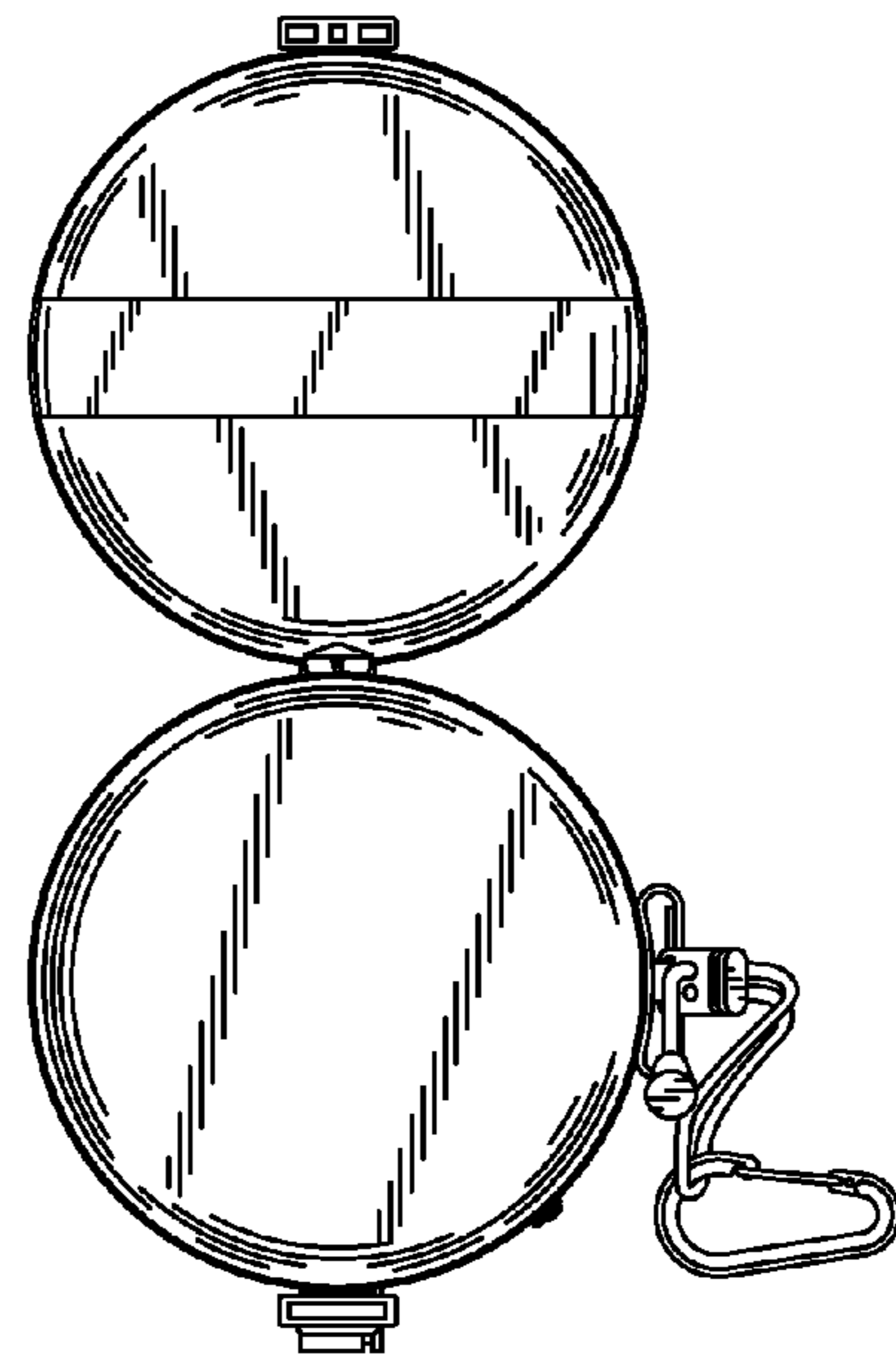


FIG. 7

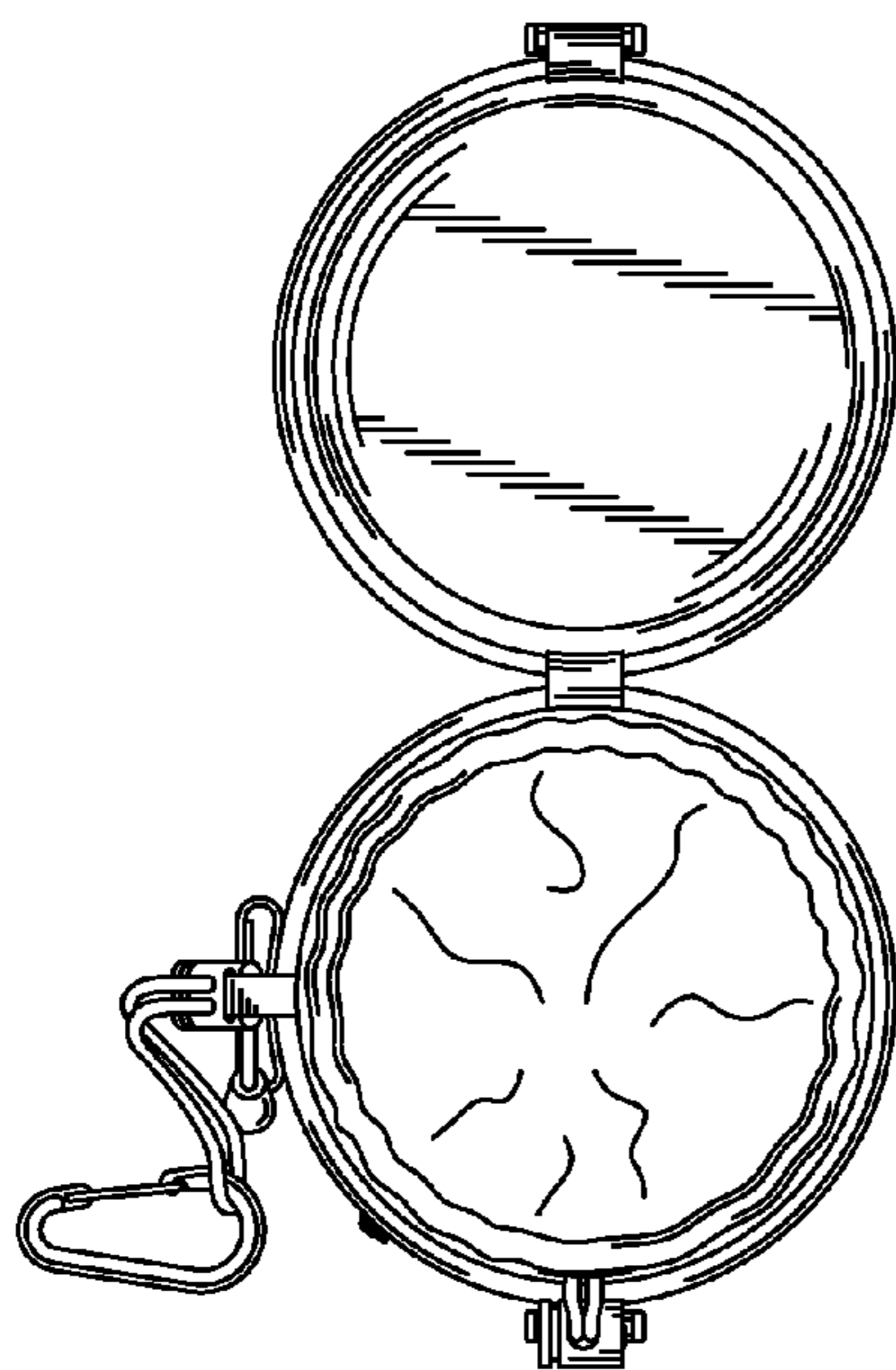


FIG. 6

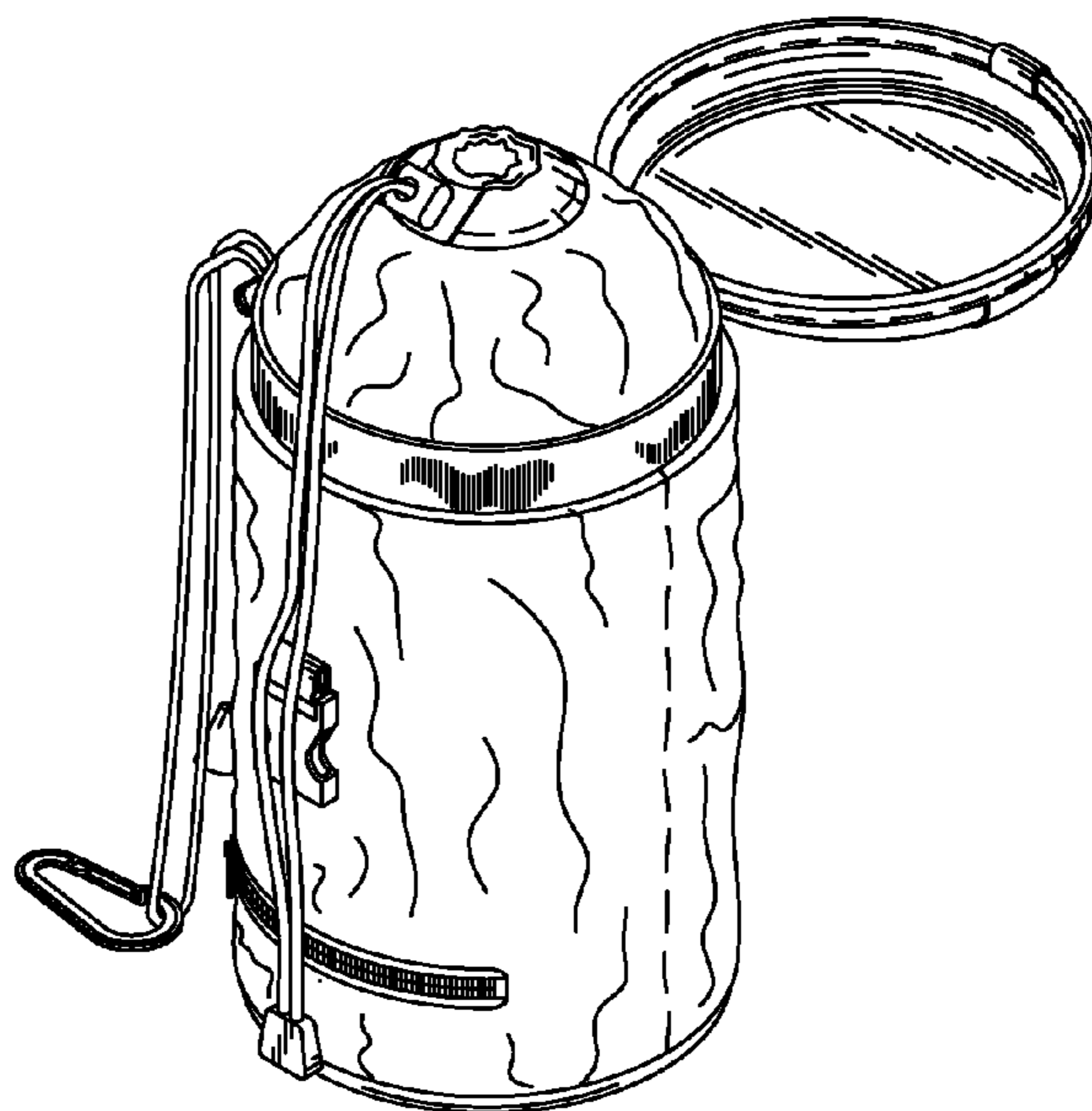


FIG. 8

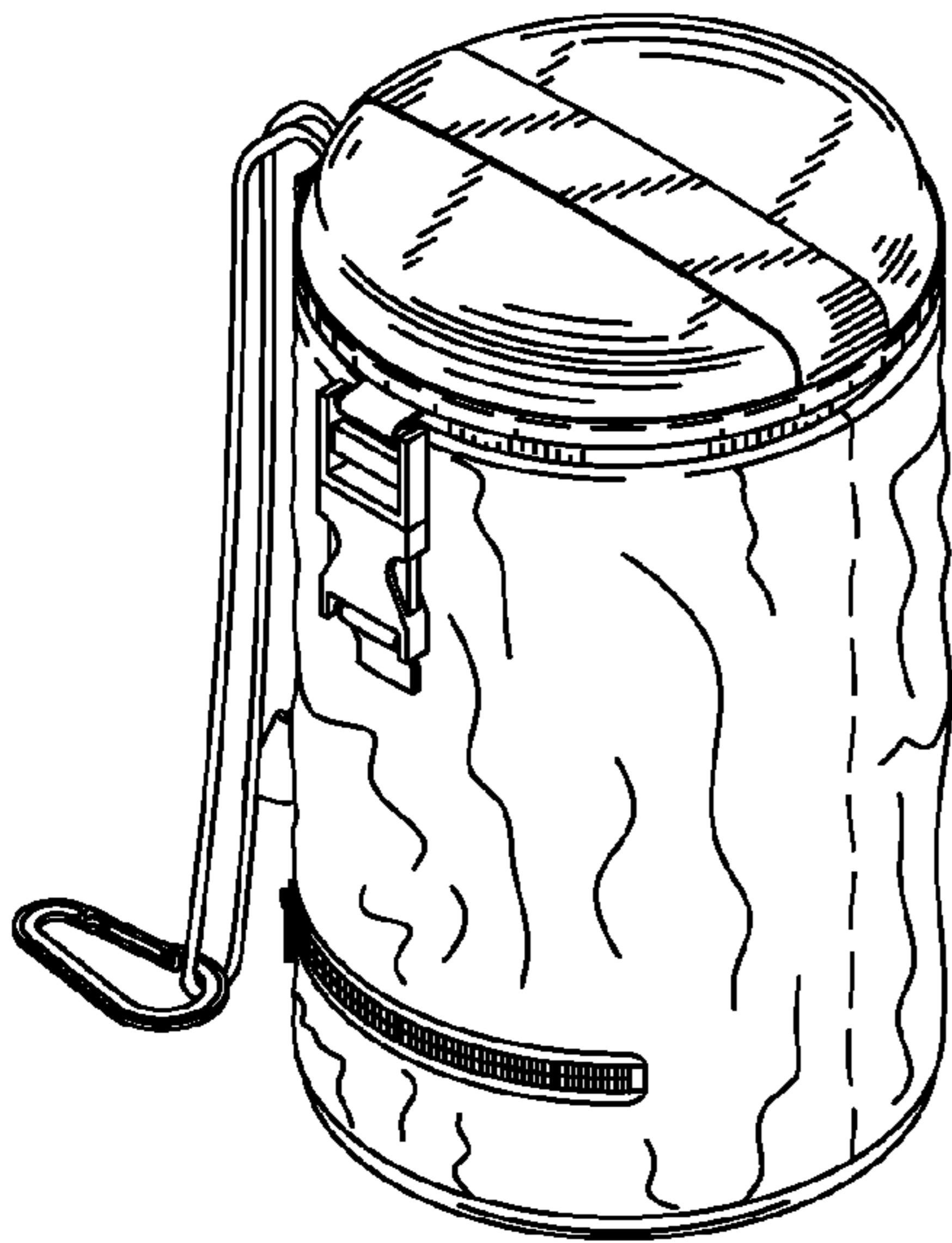


FIG. 9

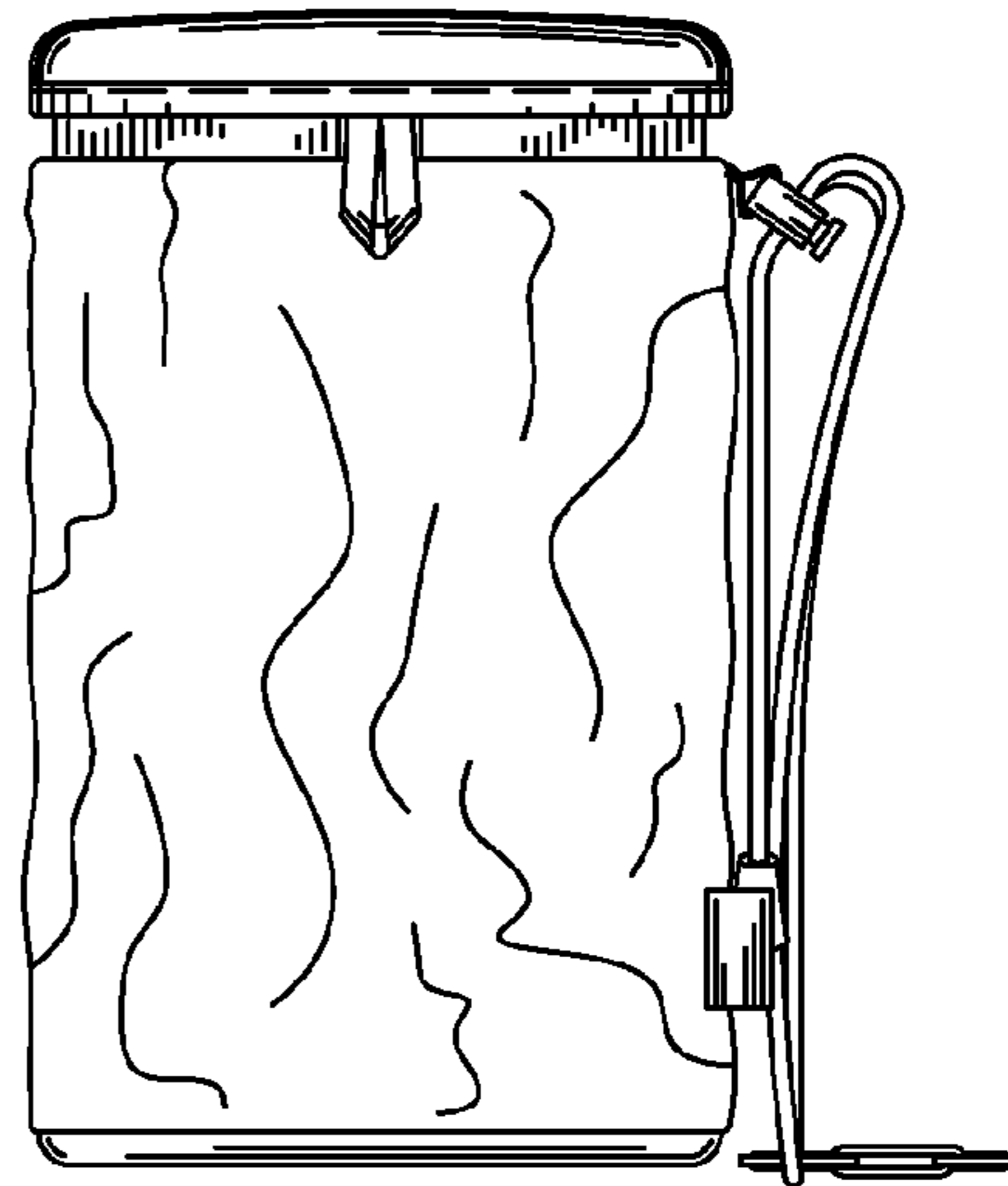


FIG. 10

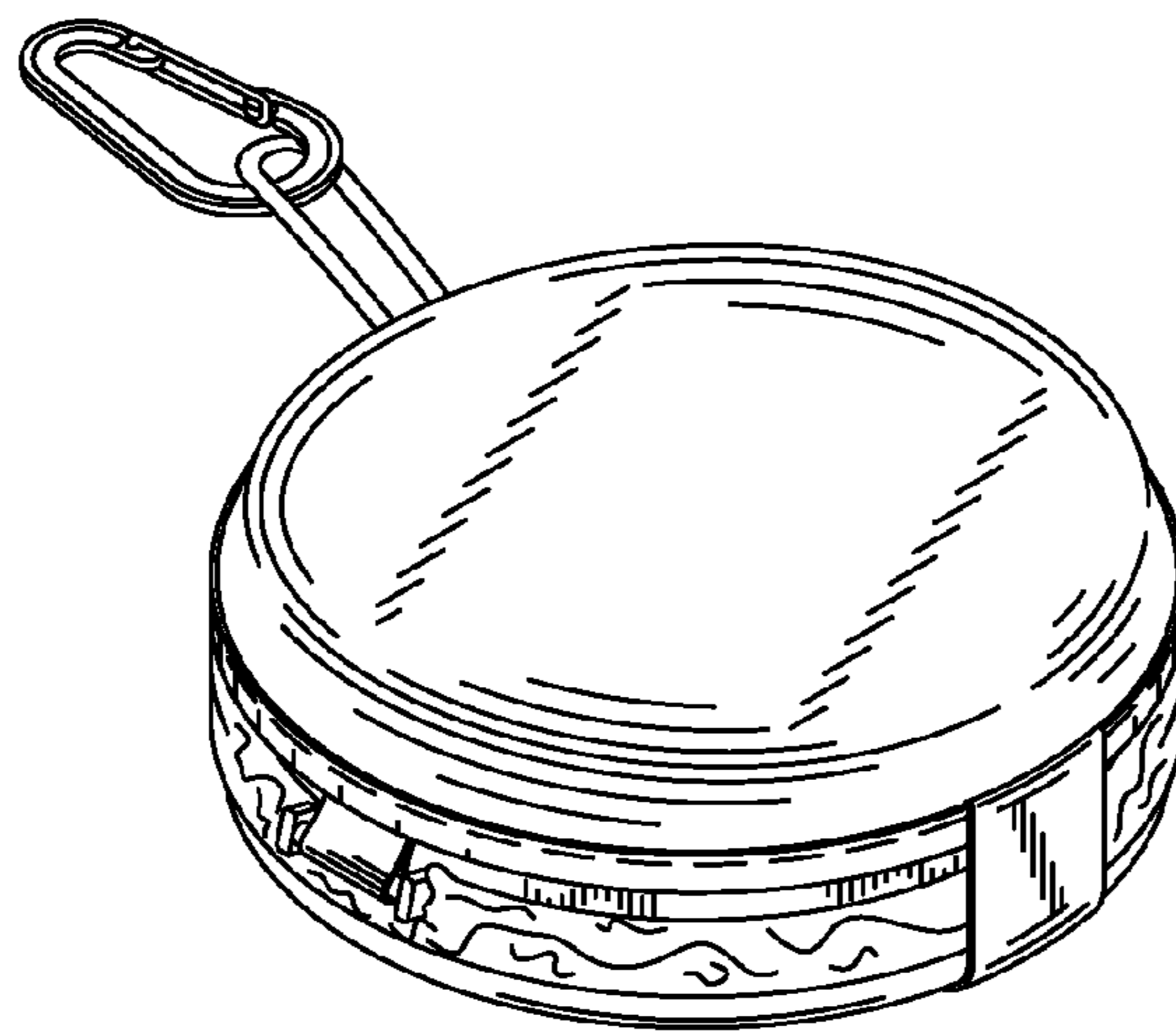


FIG. 11

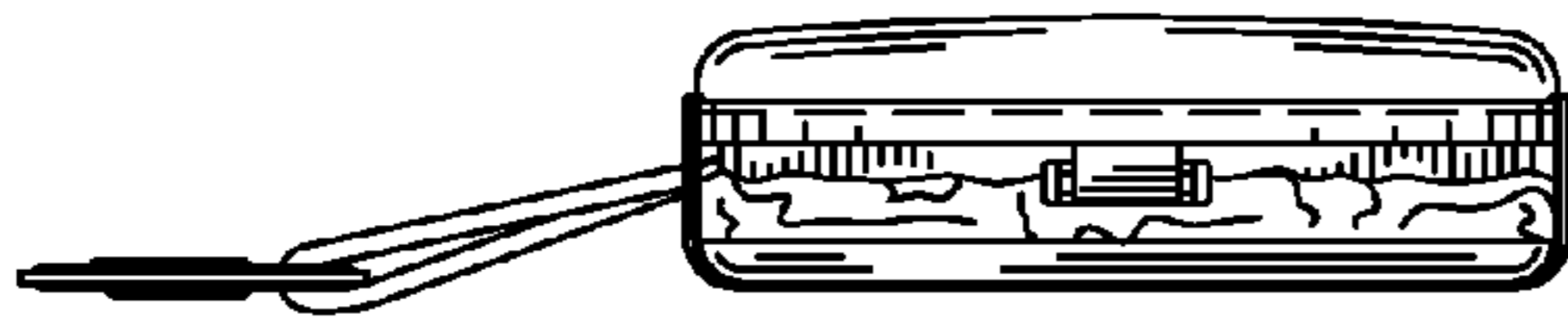


FIG. 12

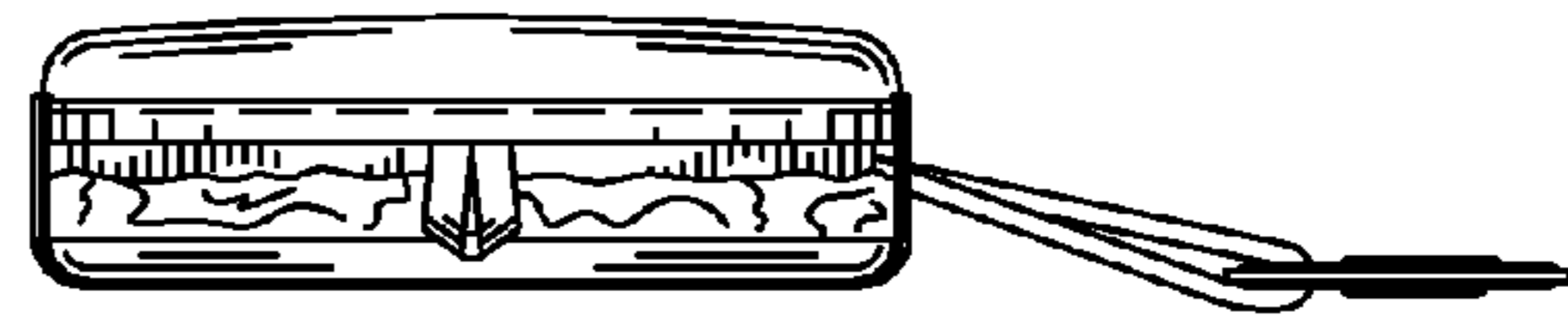


FIG. 13



FIG. 14



FIG. 15

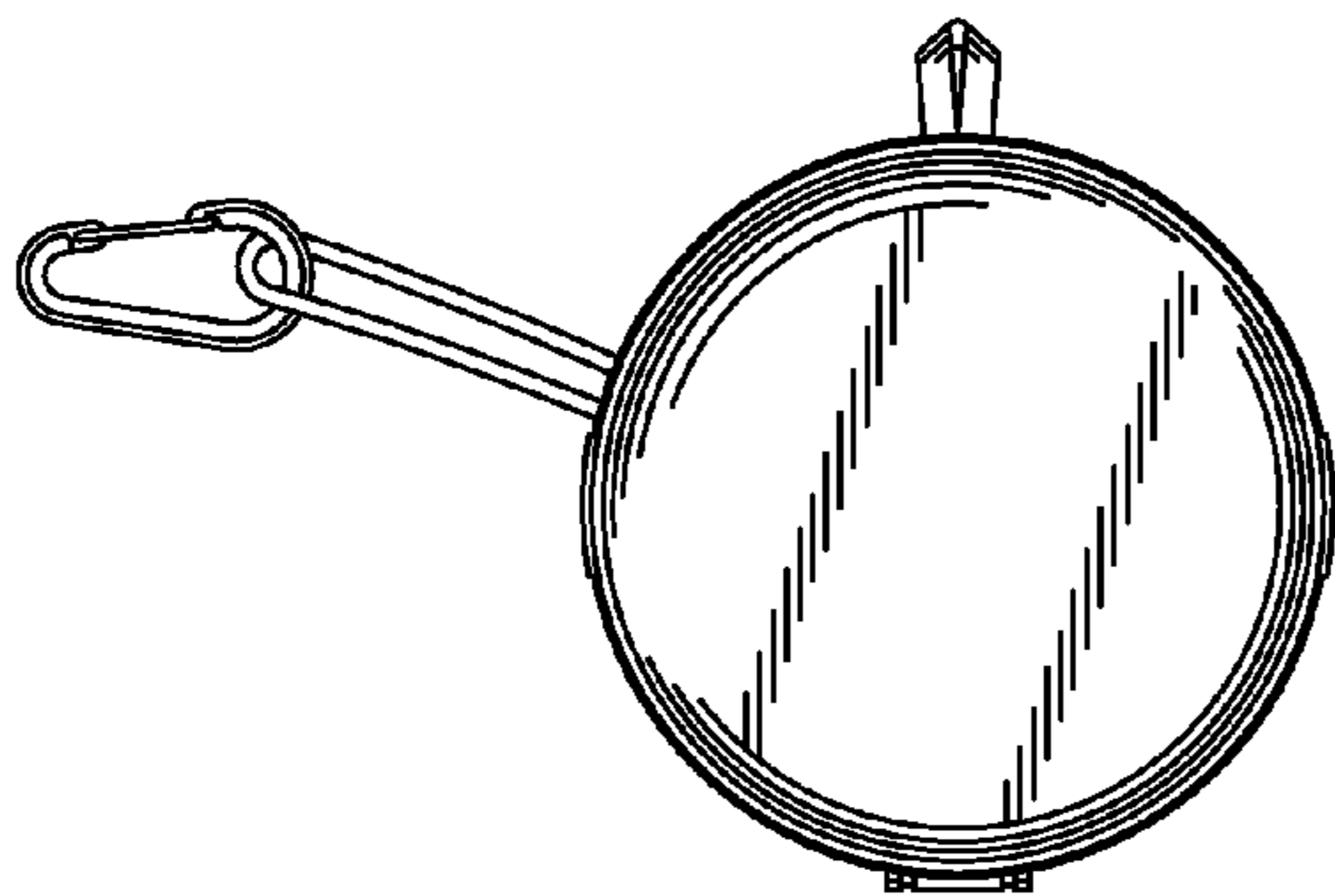


FIG. 16

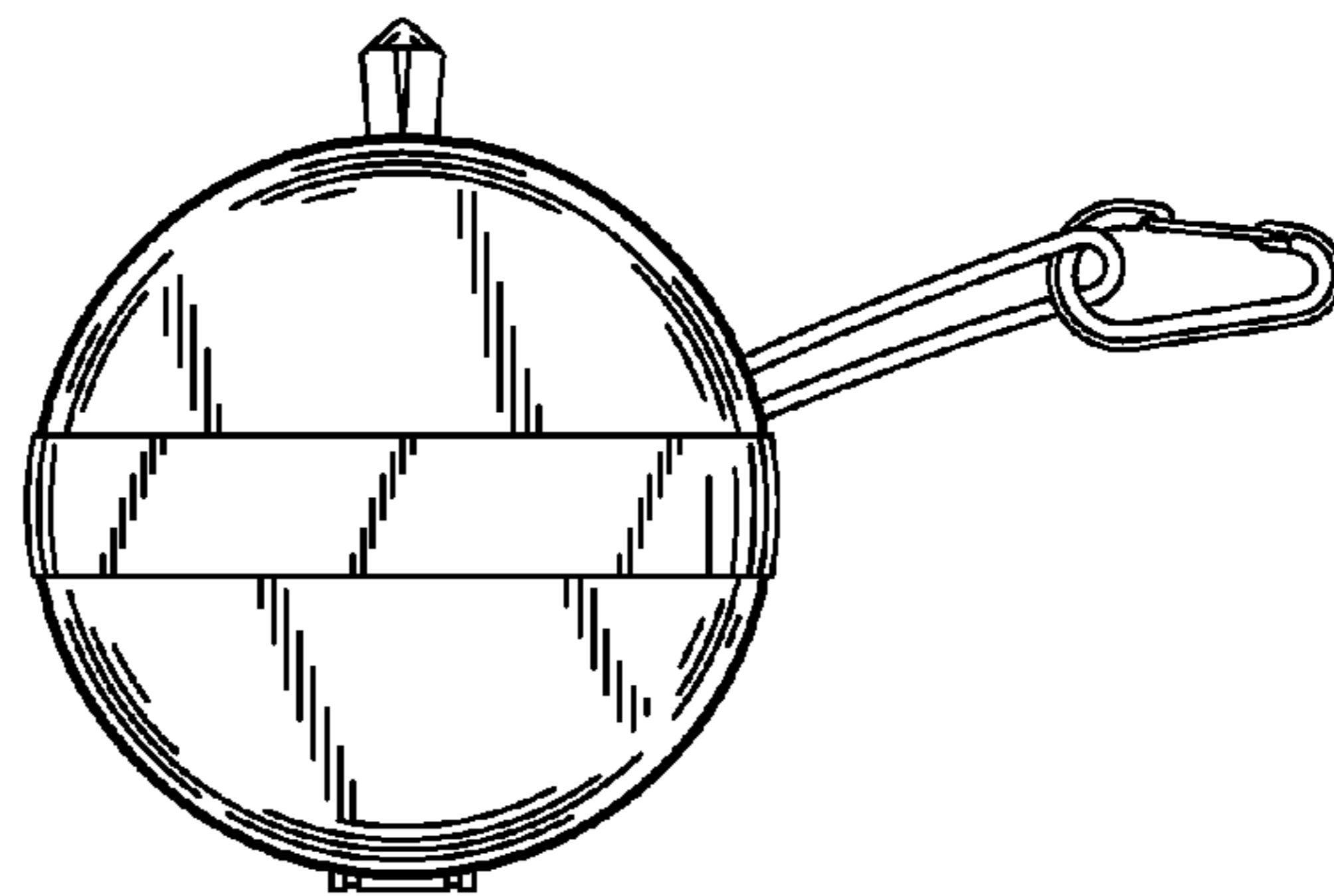


FIG. 17