



US00D624713S

(12) **United States Design Patent**
Rutherford et al.

(10) **Patent No.:** **US D624,713 S**

(45) **Date of Patent:** **** Sep. 28, 2010**

(54) **PET TOY**

(75) Inventors: **Ryan Rutherford**, Belleville, NJ (US);
Andrea Matz, Dover, NJ (US)

(73) Assignee: **J. W. Pet Company, Inc.**, Teterboro, NJ
(US)

(**) Term: **14 Years**

(21) Appl. No.: **29/352,521**

(22) Filed: **Dec. 22, 2009**

Related U.S. Application Data

(62) Division of application No. 29/317,928, filed on May 9, 2008, now Pat. No. Des. 612,552.

(51) **LOC (9) Cl.** **30-99**

(52) **U.S. Cl.** **D30/160**

(58) **Field of Classification Search** D30/119,
D30/160; D1/116-118, 120, 122, 124; D21/105-406,
D21/408, 465-467; D24/194-195; 119/702,
119/707-711; 601/121
See application file for complete search history.

(56) **References Cited**

U.S. PATENT DOCUMENTS

1,772,501	A *	8/1930	Shelton	601/17
D190,896	S *	7/1961	Madl et al.	D24/211
D217,519	S *	5/1970	Smal	D24/211
D300,853	S *	4/1989	Smal	D24/211
D309,660	S *	7/1990	Saguin	D24/211
D337,398	S *	7/1993	Axelrod	D30/160
D342,319	S *	12/1993	Cheng	D24/214
D344,591	S *	2/1994	Zhuang	D24/211

D360,695	S *	7/1995	Wollman	D24/211
5,476,408	A *	12/1995	Hoeting et al.	446/419
D435,660	S *	12/2000	Yoo	D24/211
D447,811	S *	9/2001	Yiu	D24/215
6,305,326	B1 *	10/2001	Suchowski et al.	119/709
D452,044	S *	12/2001	Goetschi	D28/20
D478,947	S *	8/2003	Lu	D24/211
D497,457	S *	10/2004	Willinger	D30/160
D546,508	S *	7/2007	Robertson	D30/160
7,555,997	B2 *	7/2009	Wolfe et al.	119/707
7,647,894	B2 *	1/2010	Axelrod et al.	119/711
2005/0166865	A1 *	8/2005	Handelsman et al.	119/709
2006/0089578	A1 *	4/2006	Hsu	601/118

* cited by examiner

Primary Examiner—Cathy Anne MacCormac

(74) *Attorney, Agent, or Firm*—Katten Muchin Rosenman LLP

(57) **CLAIM**

The ornamental design for a pet toy, as shown and described.

DESCRIPTION

FIG. 1 is a perspective view of a pet toy;

FIG. 2 is a front view thereof;

FIG. 3 is a rear view thereof;

FIG. 4 is a left side view thereof;

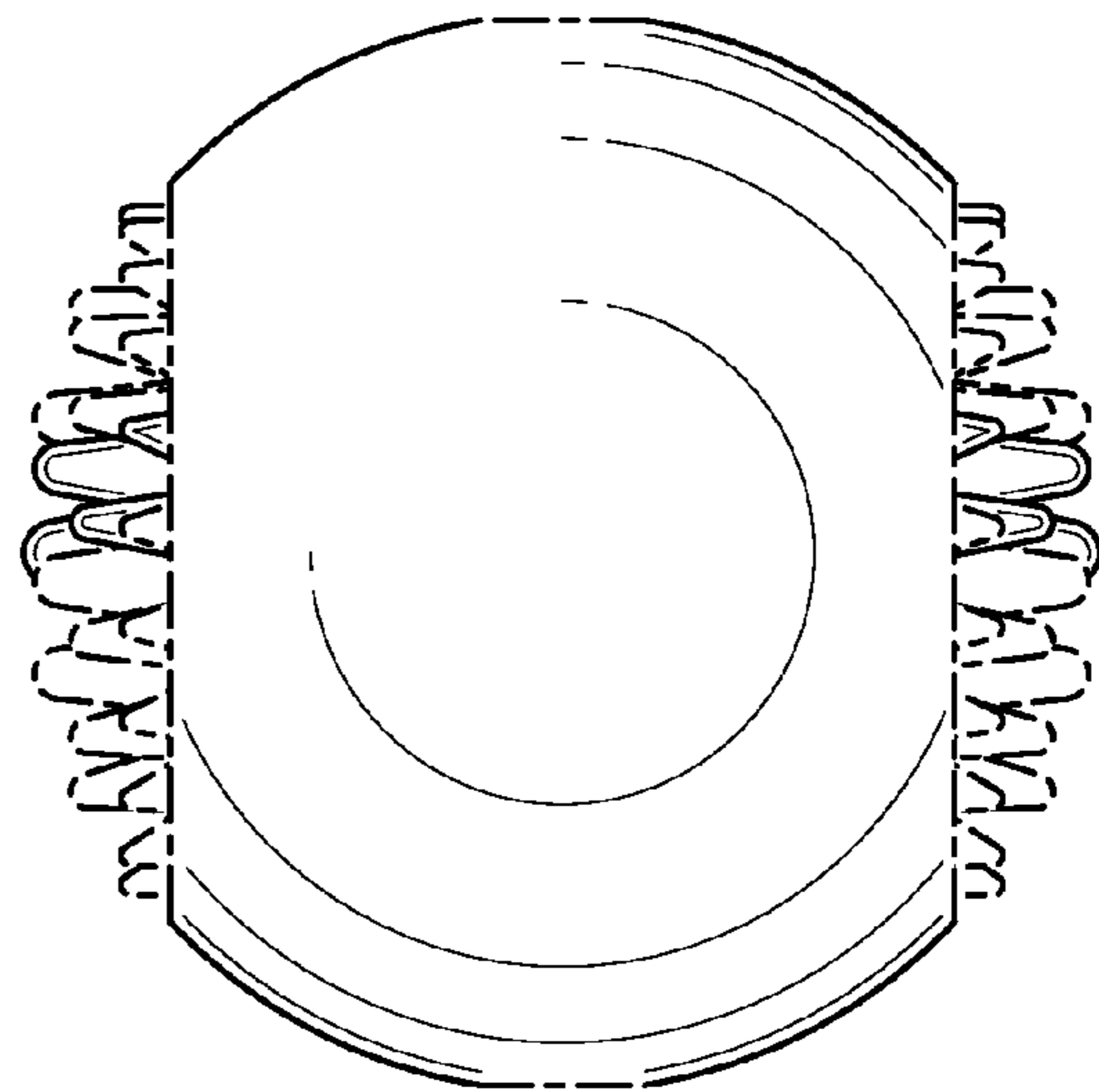
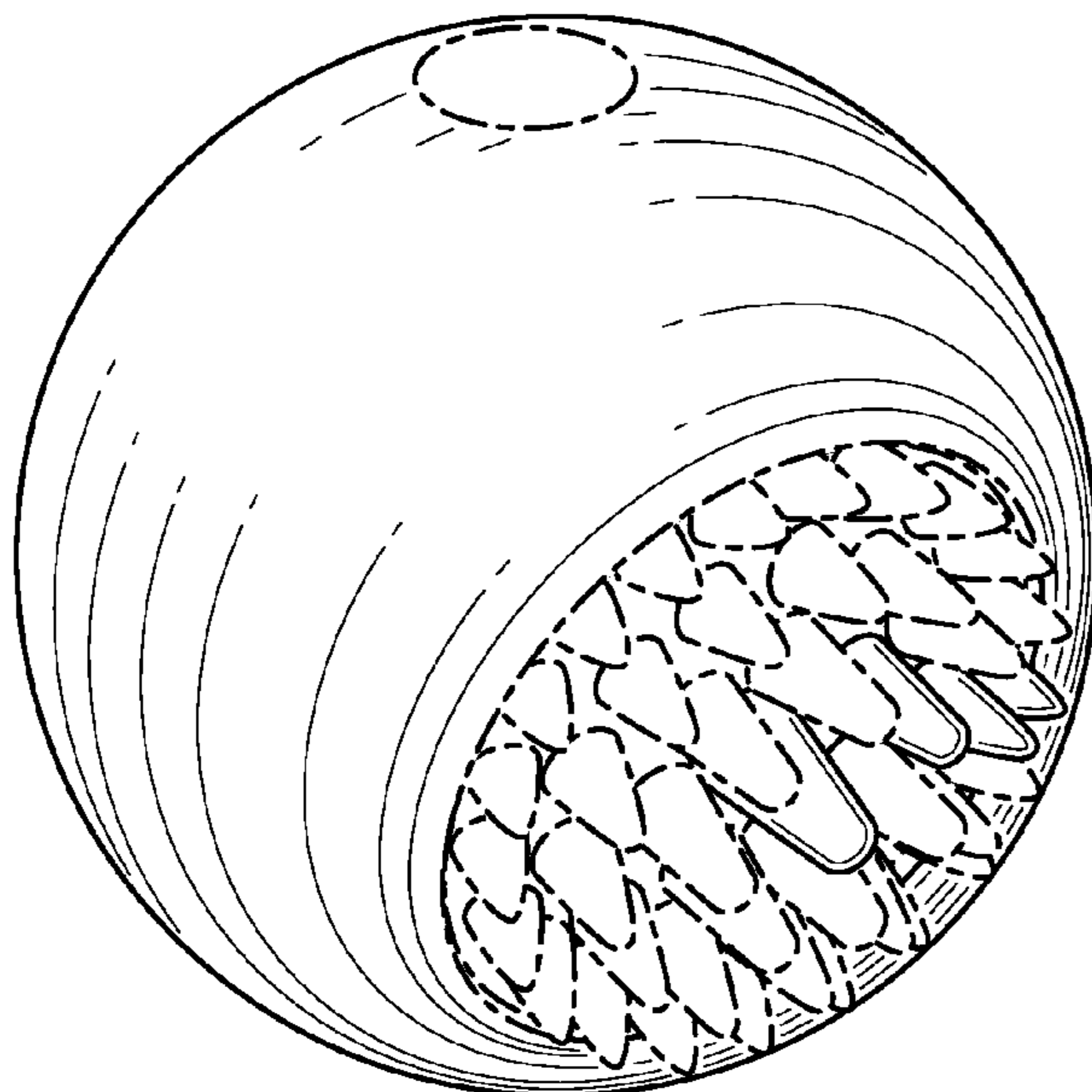
FIG. 5 is a right side view thereof;

FIG. 6 is a top view thereof; and,

FIG. 7 is a bottom view thereof.

The portions of the designs that are shown in broken lines do not form part of the claimed design.

1 Claim, 4 Drawing Sheets



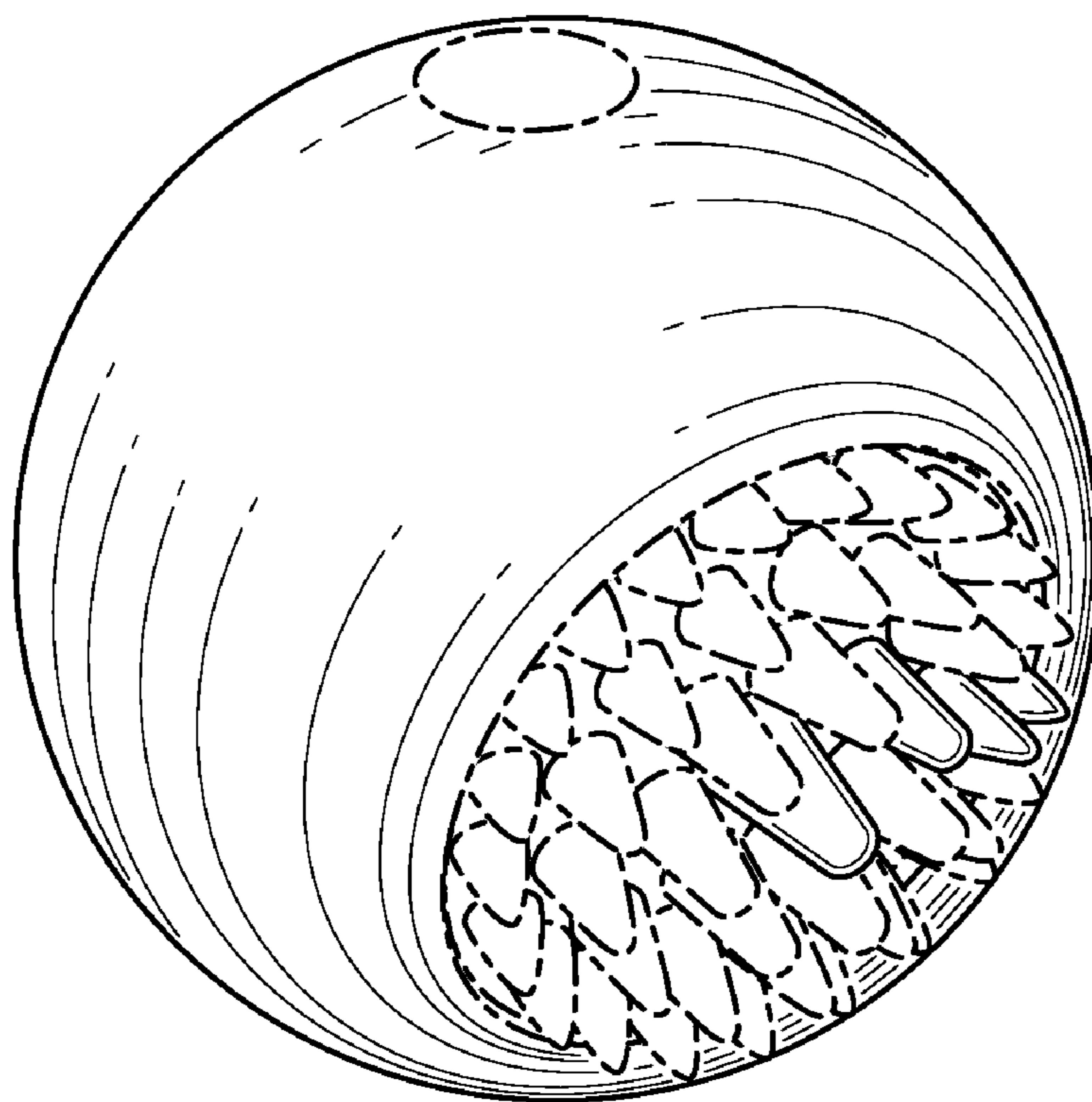


FIG. 1

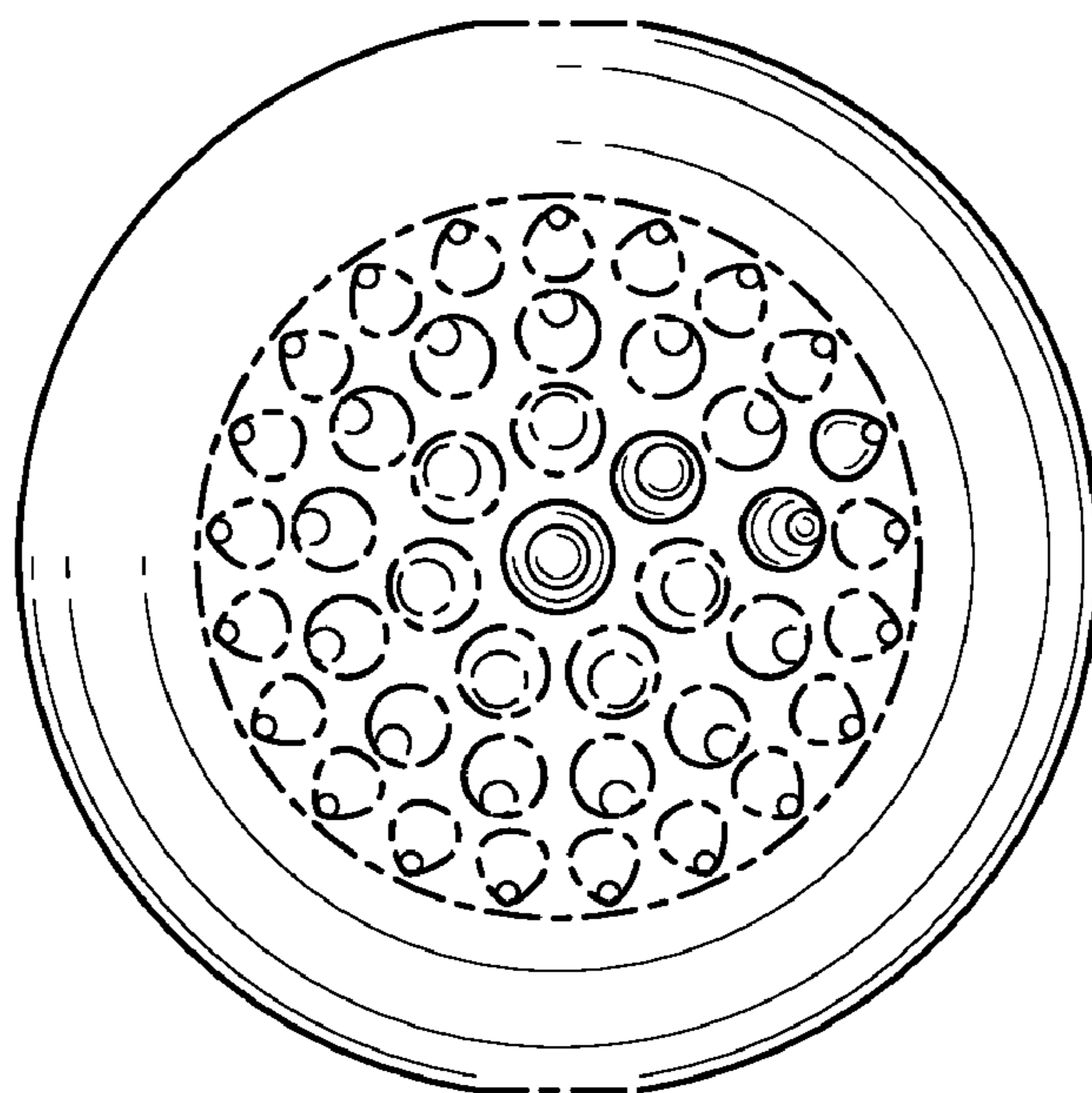


FIG. 2

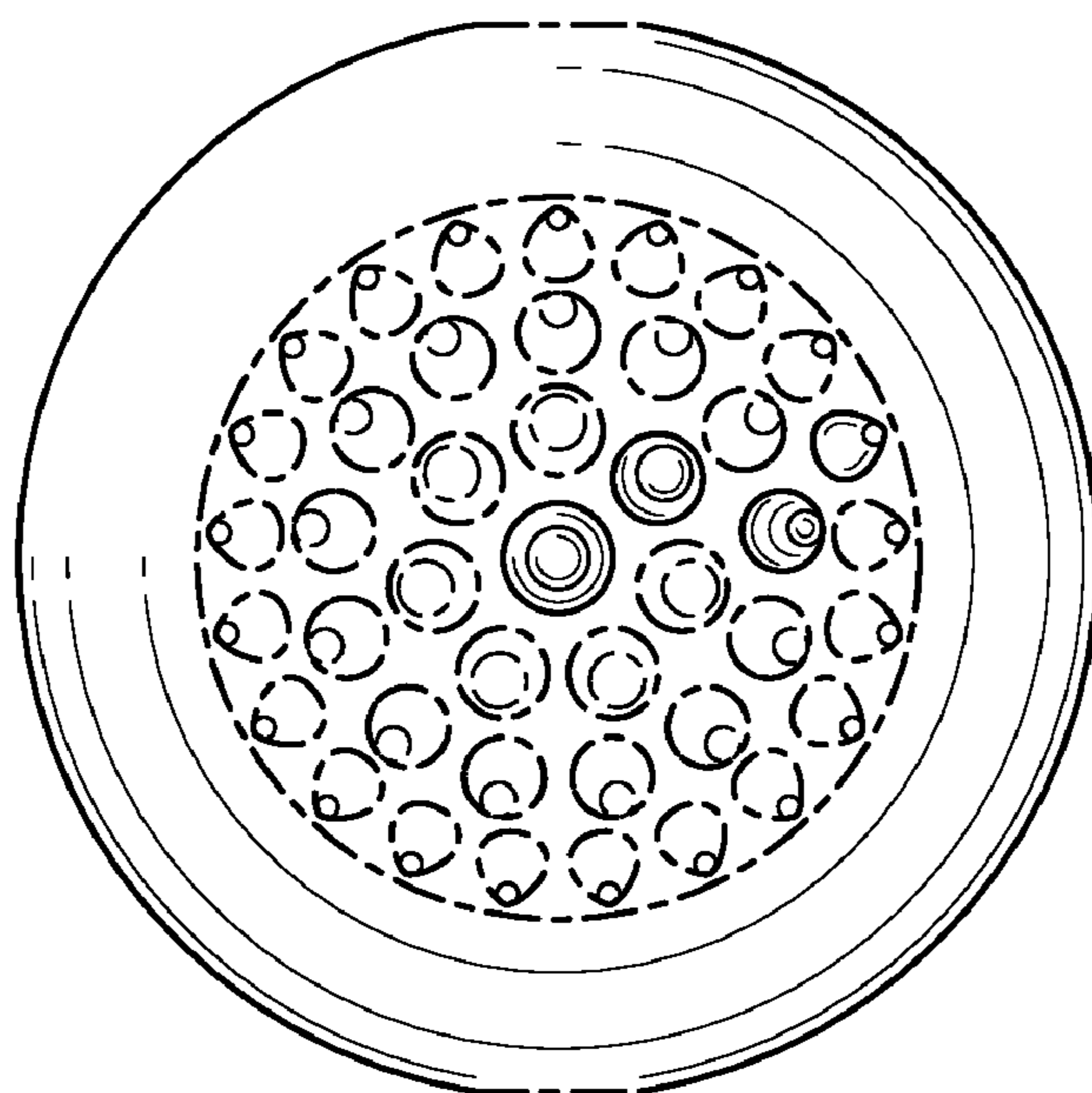


FIG. 3

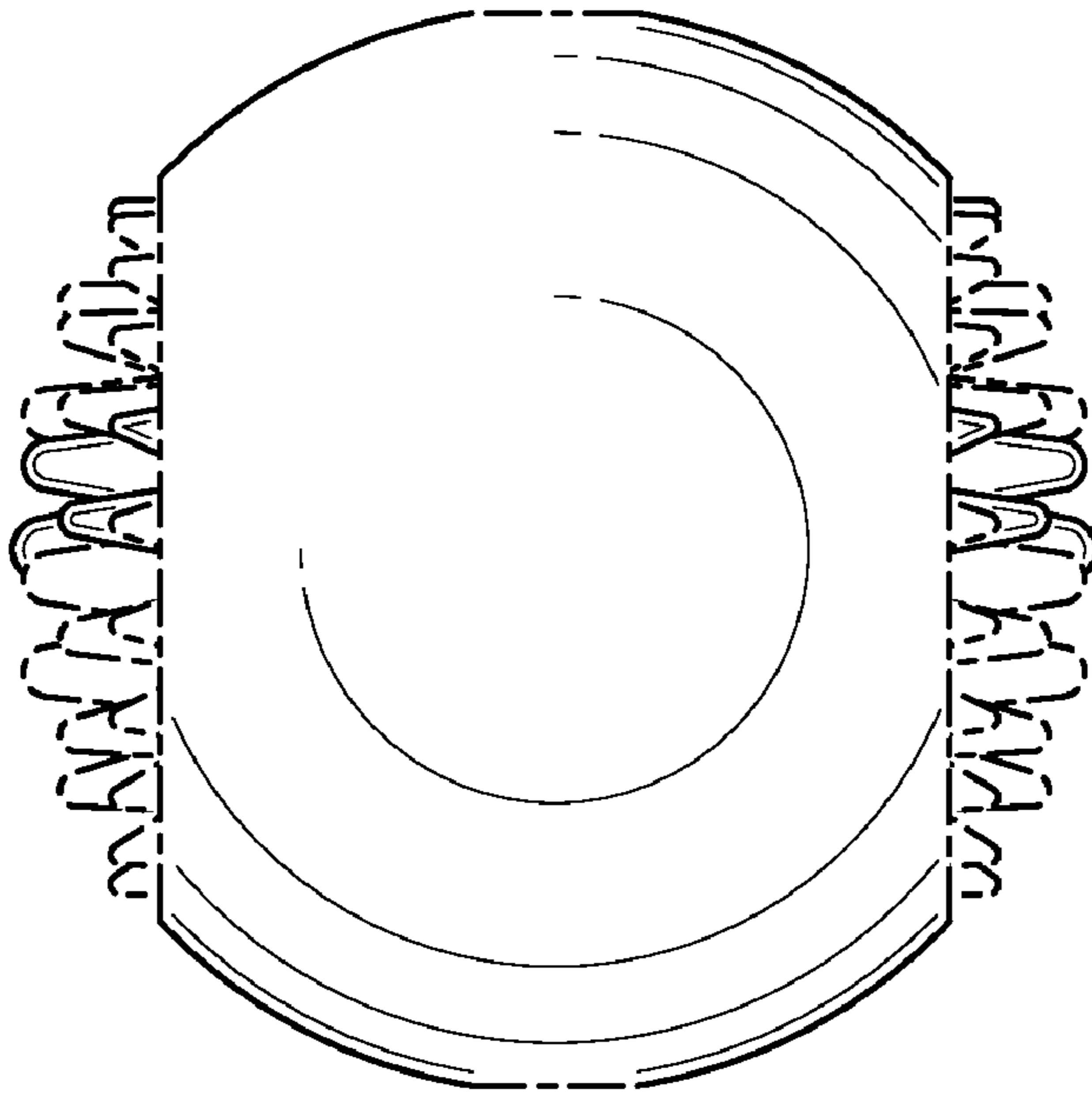


FIG. 4

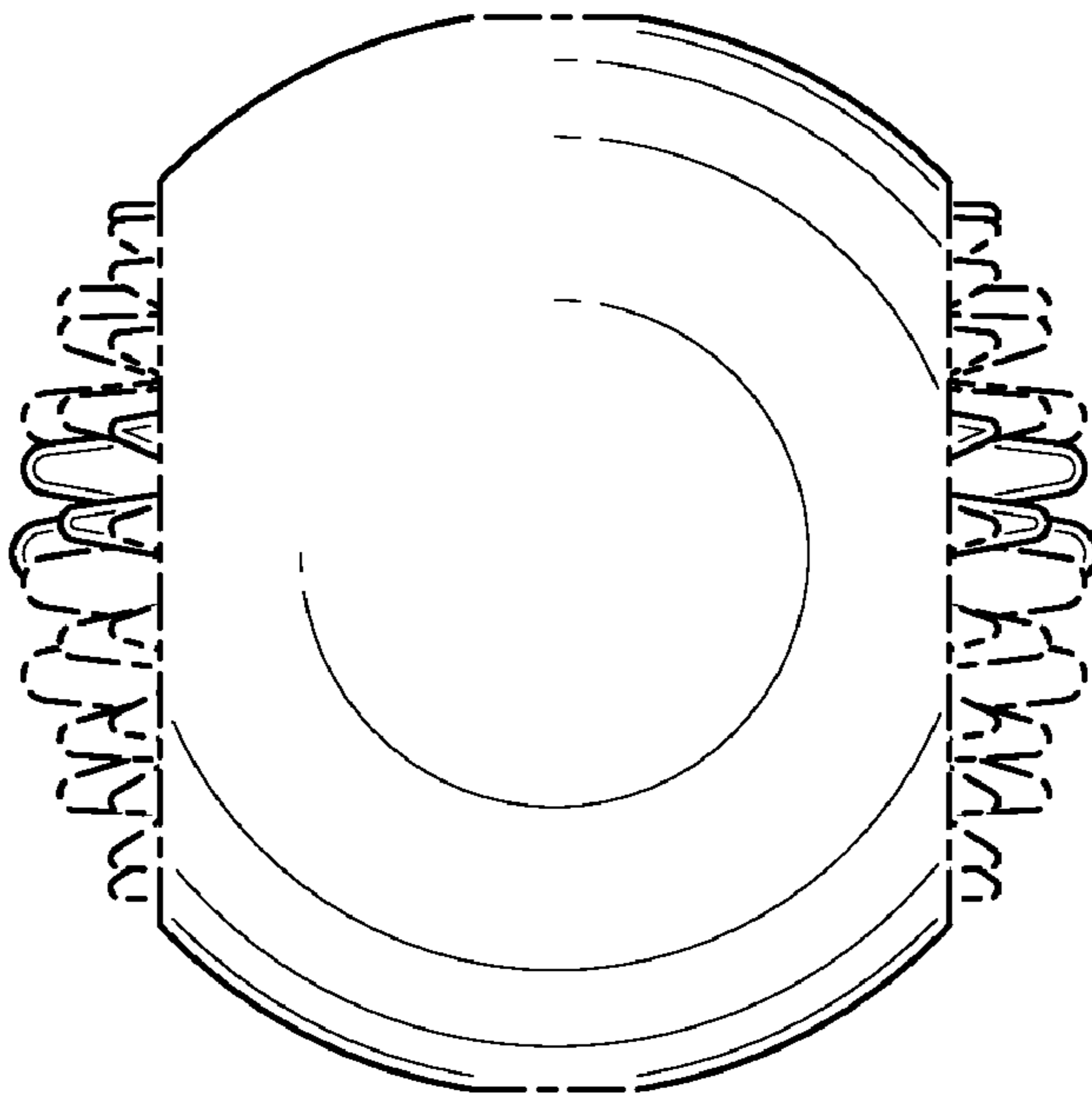


FIG. 5

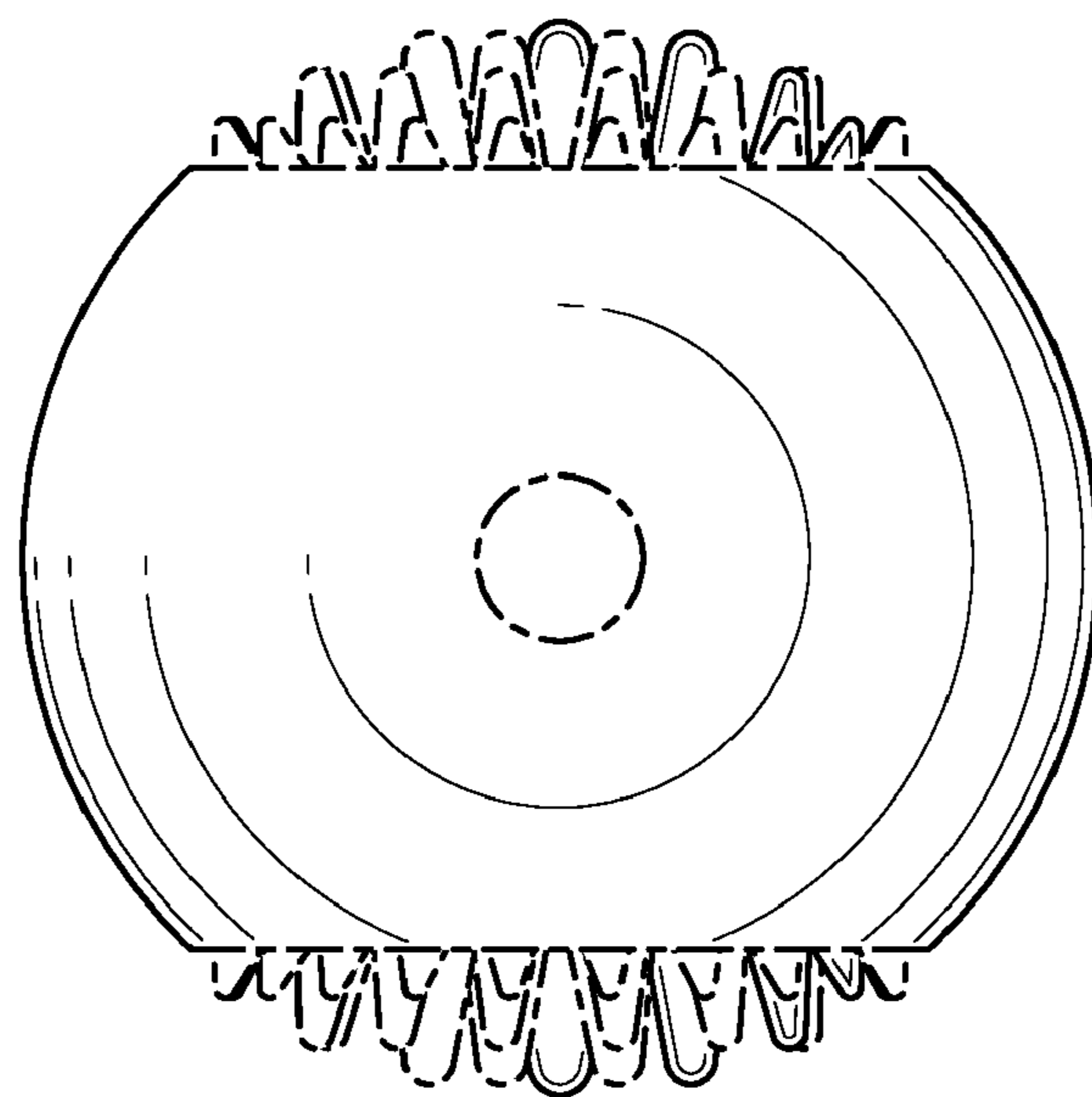


FIG. 6

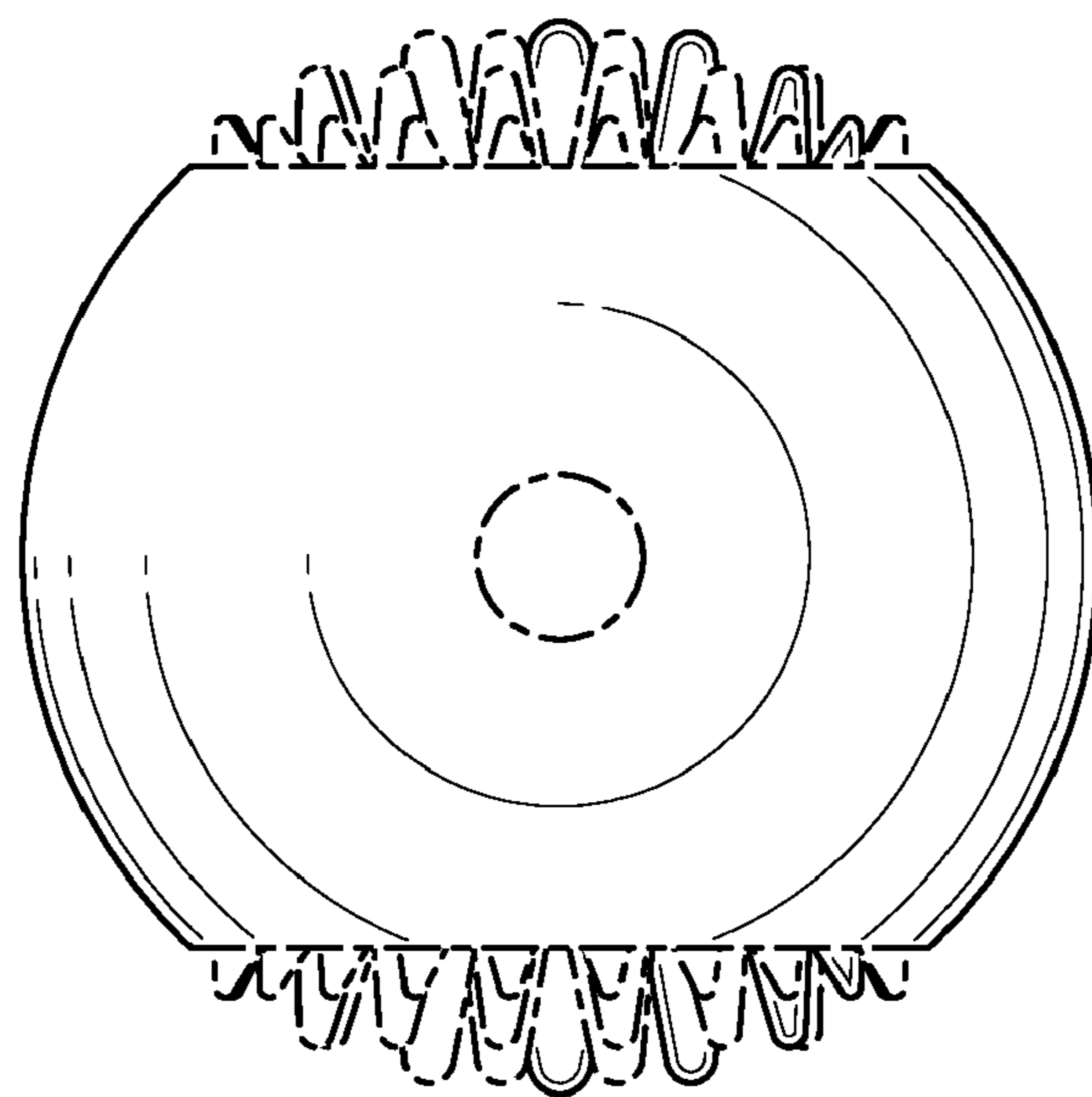


FIG. 7