



US00D624706S

(12) **United States Design Patent**
Meritt

(10) **Patent No.:** **US D624,706 S**
(45) **Date of Patent:** **** *Sep. 28, 2010**

(54) **ANIMAL FEEDER**

FOREIGN PATENT DOCUMENTS

(75) Inventor: **Rick Meritt**, Gilmer, TX (US)

GB 2129266 A 5/1984

(73) Assignee: **Rick Meritt Investments, Ltd.**, Gilmer, TX (US)

(Continued)

(**) Term: **14 Years**

OTHER PUBLICATIONS

(21) Appl. No.: **29/345,836**

Advertisement (Mumme's Inc.) (1 page), Texas Deer Association Tracks, vol. 6, Issue 3 (May/Jun. 2005), p. 51.

(22) Filed: **Oct. 22, 2009**

(Continued)

Related U.S. Application Data

(63) Continuation of application No. 29/296,692, filed on Oct. 25, 2007, now Pat. No. Des. 603,105, which is a continuation of application No. 11/160,611, filed on Jun. 30, 2005, now Pat. No. 7,370,605, and a continuation-in-part of application No. 09/920,231, filed on Aug. 1, 2001, now Pat. No. 6,920,841.

Primary Examiner—Susan Moon Lee

(74) *Attorney, Agent, or Firm*—Gardere Wynne Sewell, LLP

(57)

CLAIM

The ornamental design for an animal feeder, as shown and described.

(51) **LOC (9) Cl.** **30-03**

(52) **U.S. Cl.** **D30/121**

(58) **Field of Classification Search** D30/133, D30/121, 122, 124, 127, 128, 132; 119/51.01, 119/61, 51.04, 53, 57.91, 54, 53.5, 52.4, 119/51.11, 63, 61.2, 52.1, 57.5, 57.6, 51.13, 119/62, 75, 500, 501; 239/7, 687, 379, 397.5; 222/199, 181.1, 181.2, 185.1, 557, 156, 485, 222/486, 548, 555; 220/200, 227, 247, 262; 221/174, 185.1, 289, 295, 296, 559; 454/35; 209/270, 283, 244; 52/194, 192; 49/279, 49/344, 357; D34/28

See application file for complete search history.

(56) **References Cited**

U.S. PATENT DOCUMENTS

347,416 A 8/1886 Buckingham
411,140 A 9/1889 Farrington et al.
423,712 A 3/1890 Arnold

DESCRIPTION

FIG. 1 is a perspective view of an animal feeder according to my new design;

FIG. 2 is a front elevation view of the animal feeder shown in FIG. 1;

FIG. 3 is a rear elevation view of the animal feeder shown in FIG. 1;

FIG. 4 is a right side elevation view of the animal feeder shown in FIG. 1;

FIG. 5 is a left side elevation view of the animal feeder shown in FIG. 1;

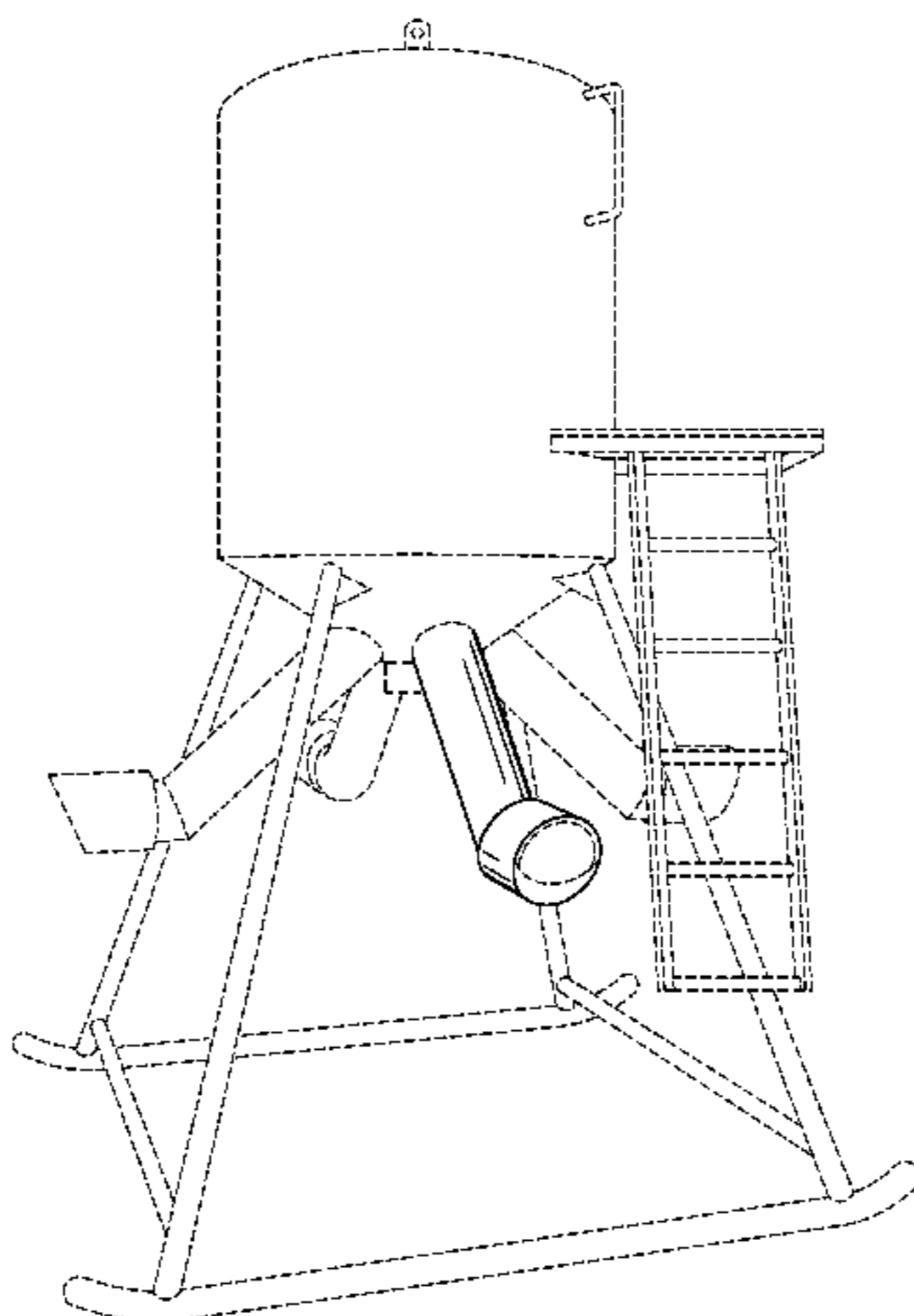
FIG. 6 is a top plan view of the animal feeder shown in FIG. 1; and,

FIG. 7 is a bottom plan view of the animal feeder shown in FIG. 1.

The broken lines are for illustrative purposes only and form no part of the claimed design.

(Continued)

1 Claim, 7 Drawing Sheets



US D624,706 S

Page 2

U.S. PATENT DOCUMENTS					
485,142 A	10/1892	Stephens	4,337,728 A	7/1982	Van Gilst et al.
587,803 A	8/1897	Ewer	4,358,205 A	11/1982	Eakins
1,214,881 A	2/1917	Bemtzen	4,397,304 A	8/1983	Villain
1,237,016 A	8/1917	Brown	D271,090 S	10/1983	Edgar et al.
1,239,404 A	9/1917	Knoll, Jr.	D271,963 S	12/1983	Perkins
1,309,671 A	7/1919	Weaver	D273,715 S	5/1984	Sher
1,355,399 A	10/1920	Kelley	D275,228 S	8/1984	Nishigaki
1,359,691 A	11/1920	Genuit	4,508,303 A	4/1985	Beckerer, Jr.
1,561,299 A	11/1925	Banks	D279,717 S	7/1985	Mau et al.
1,563,816 A	12/1925	Worthington	4,538,548 A	9/1985	Page
D77,948 S	3/1929	Evans	4,542,930 A	9/1985	Adams
D92,312 S	5/1934	Kanter	4,580,528 A	4/1986	Kendall
2,136,956 A	11/1938	Schmitt	4,601,414 A	7/1986	Lawson
D130,381 S	11/1941	Roth	4,608,046 A	8/1986	Towfigh
2,454,721 A	11/1948	Severance et al.	4,621,737 A	11/1986	Casey
D152,655 S	2/1949	Rossell	H000176 H	12/1986	Johnstone, Jr.
2,464,278 A	3/1949	Wilson	D288,608 S	3/1987	Dahlberg
D161,749 S	1/1951	Griner	4,653,195 A	3/1987	Esparza
D163,955 S	7/1951	McCartney	4,707,389 A	11/1987	Ward
2,583,203 A	1/1952	Bergeron	4,719,875 A	1/1988	Van Gilst
2,619,252 A	11/1952	De Hoffmann	D295,091 S	4/1988	Swartzendruber
2,638,871 A	5/1953	Ruedemann	4,815,621 A	3/1989	Bartis
2,654,346 A	10/1953	Goff	4,859,423 A	8/1989	Perlman
D171,639 S	3/1954	Clemens	D305,193 S	12/1989	Sajadieh
2,756,032 A	7/1956	Dowell	D305,804 S	1/1990	Browning et al.
2,760,807 A	8/1956	Watson	4,956,821 A	9/1990	Fenelon
2,761,597 A	9/1956	Stukey	4,971,366 A	11/1990	Towsley
2,808,029 A	10/1957	Geerling	4,986,220 A	1/1991	Reneau et al.
2,881,947 A	4/1959	Hancock	4,997,284 A	3/1991	Tousignant et al.
2,886,002 A	5/1959	O'Malley et al.	D319,759 S	9/1991	Bookout
D187,929 S *	5/1960	Rensch D6/461	D319,794 S	9/1991	Elkins
2,988,047 A	6/1961	Hurdle	5,061,180 A	10/1991	Wiele
3,007,618 A	11/1961	Davis et al.	5,069,164 A	12/1991	Wiwi
3,034,480 A	5/1962	French	5,086,730 A	2/1992	Figley
D194,594 S	2/1963	Juculano	5,090,743 A	2/1992	Obering
3,104,778 A	9/1963	Leonard	D326,741 S *	6/1992	Powers D30/121
3,128,560 A	4/1964	McKenzie	5,130,496 A	7/1992	Jenkins
3,131,511 A	5/1964	Deaner	5,143,289 A	9/1992	Gresham et al.
3,318,473 A	5/1967	Jones et al.	5,183,298 A	2/1993	Harrington
3,386,756 A	6/1968	Primm	D333,841 S	3/1993	Henricksen
3,487,433 A	12/1969	Fleming	5,195,459 A	3/1993	Ancketill
3,515,098 A *	6/1970	Thurmond 119/51.01	D336,554 S *	6/1993	Reeder D30/121
3,613,641 A	10/1971	Geerlings	5,218,784 A	6/1993	Pollock
3,636,983 A	1/1972	Keyser	D340,516 S *	10/1993	Too D23/411
3,655,011 A	4/1972	Willett	5,273,454 A	12/1993	Shotey
3,658,211 A	4/1972	Kitchens	5,275,131 A	1/1994	Brake et al.
D226,507 S *	3/1973	Wright D22/112	5,333,572 A	8/1994	Nutt
3,720,235 A	3/1973	Schrock	5,339,996 A	8/1994	Dubbert et al.
3,730,142 A	5/1973	Kahrs et al.	5,372,093 A *	12/1994	Pooshs 119/51.11
3,780,701 A	12/1973	Wentworth, Sr.	5,405,047 A	4/1995	Hansen
D232,552 S	8/1974	Wtson	5,410,986 A	5/1995	Washam
3,856,315 A	12/1974	Stansbury	5,435,267 A	7/1995	Patterson
3,873,391 A	3/1975	Plauka et al.	5,450,677 A	9/1995	Casey
D237,001 S	9/1975	Von Serda	5,464,257 A	11/1995	Riddles et al.
3,902,460 A	9/1975	Franklin	D367,093 S	2/1996	Weir
3,977,045 A	8/1976	Saurenman	5,503,090 A	4/1996	Guzan
D242,933 S	1/1977	Brubaker et al.	D371,228 S	6/1996	Monin
D243,559 S	3/1977	Hoyle et al.	5,533,646 A *	7/1996	Dildine 221/185
D244,857 S	6/1977	Hayes	5,544,764 A	8/1996	Cima
D245,048 S	7/1977	Pool	D373,659 S *	9/1996	Miller D30/121
D245,368 S	8/1977	Mueller	D375,159 S	10/1996	Johansson
D246,603 S	12/1977	Frost	5,570,547 A	11/1996	Webb et al.
4,163,474 A	8/1979	MacDonald et al.	D382,748 S	8/1997	Riskey
D256,623 S	8/1980	Lockwood	5,655,671 A	8/1997	Barry et al.
D258,012 S	1/1981	Murphy	5,662,630 A	9/1997	Raynie
D258,013 S	1/1981	Murphy	5,666,260 A	9/1997	Pasmanik et al.
4,256,054 A	3/1981	Hitchcock	D386,137 S *	11/1997	Bailey D12/194
4,291,809 A	9/1981	Lyon	5,699,753 A	12/1997	Aldridge, III
D262,144 S	12/1981	Sher	5,730,302 A	3/1998	Groene
D262,408 S	12/1981	Whaling	5,740,757 A	4/1998	Smeester
4,328,880 A	5/1982	Lapeyre	D394,178 S	5/1998	Gremchuck
			5,753,158 A	5/1998	Orsing
			D397,527 S	8/1998	Bruder et al.

5,794,561 A 8/1998 Schulz
D401,016 S 11/1998 Holliday
5,862,777 A 1/1999 Sweeney
5,876,282 A 3/1999 Kenny
5,901,497 A 5/1999 Bulvin
5,901,886 A 5/1999 Grindstaff et al.
5,906,174 A 5/1999 Muldoon
5,934,222 A * 8/1999 Hwang 119/72
5,979,717 A 11/1999 Dalton et al.
D417,614 S 12/1999 Chu
D420,316 S 2/2000 Hanlon et al.
D421,650 S 3/2000 Liao
D421,821 S 3/2000 Kinjerski
D423,436 S 4/2000 Larson
D426,734 S 6/2000 Fuchs
6,073,587 A 6/2000 Hill et al.
6,082,300 A 7/2000 Futch
6,142,100 A * 11/2000 Marchioro 119/54
D436,861 S 1/2001 Sagel et al.
6,199,509 B1 3/2001 Mostyn et al.
D445,062 S 7/2001 Wong
D445,170 S 7/2001 Speicher
6,283,159 B1 9/2001 Tada
D450,456 S 11/2001 Warren, III
6,328,184 B1 12/2001 Krol
6,329,602 B1 12/2001 Ushiyama et al.
6,364,125 B1 * 4/2002 D'Angelo 211/10
D458,201 S 6/2002 Warren
D460,726 S 7/2002 Campbell et al.
6,435,134 B1 * 8/2002 Ho 119/72
6,439,158 B1 * 8/2002 Blohm 119/57.8
D464,875 S 10/2002 Koppang
D466,809 S 12/2002 Sagel
6,488,511 B1 12/2002 Stewart
6,510,813 B1 1/2003 Boone, Jr.
D469,926 S 2/2003 Petrucci
D476,451 S * 6/2003 Morgan, Sr. D30/121
6,591,990 B2 7/2003 Lanman et al.
6,622,653 B1 9/2003 Starnes, Jr.
6,637,595 B1 10/2003 Frossard et al.
D486,946 S 2/2004 Castro
D487,170 S 2/2004 Petrucci
6,691,640 B1 2/2004 Huckabee
D488,889 S * 4/2004 Walsh D30/121
D490,352 S 5/2004 Ward
6,763,781 B1 7/2004 Norrell
D494,384 S 8/2004 Chandaria
D495,186 S 8/2004 Poupel et al.
6,786,180 B1 * 9/2004 Cheng 119/72.5
D504,309 S 4/2005 Fuchs
6,904,690 B2 6/2005 Bakke et al.
6,920,841 B2 7/2005 Meritt
6,959,664 B1 11/2005 Keuter et al.
D520,423 S 5/2006 Poole
7,059,355 B2 6/2006 Otani et al.
D525,657 S 7/2006 Warren, III
D528,488 S 9/2006 Webb
7,143,721 B2 12/2006 Robbins
D534,469 S 1/2007 Murkett
7,165,796 B1 1/2007 Hung
D540,231 S 4/2007 Braun et al.
7,204,201 B2 4/2007 Leombruno
D541,718 S 5/2007 Emler
D542,533 S 5/2007 Yang
D543,666 S 5/2007 Ross et al.
7,214,028 B2 5/2007 Boasso et al.
D545,742 S 7/2007 Kinoshita
D548,589 S 8/2007 Blasko et al.
D548,890 S 8/2007 Chen
D549,313 S 8/2007 Kelnhofer
D551,965 S 10/2007 Blasko et al.
D558,111 S 12/2007 Banks, III
7,302,912 B2 12/2007 Boyer

7,311,223 B2 12/2007 Post
D559,470 S * 1/2008 Stevens et al. D30/121
D562,557 S 2/2008 Lewis
7,370,605 B2 5/2008 Meritt
D574,309 S 8/2008 Unfried et al.
D574,932 S 8/2008 Zhuang
D575,556 S 8/2008 Rohkar, Jr.
D575,908 S 8/2008 Meritt
7,475,796 B2 1/2009 Garton
D587,366 S 2/2009 Turkat
D588,166 S 3/2009 Lyons, III
D598,354 S 8/2009 Nakazawa et al.
D598,602 S 8/2009 Laarman
D599,503 S 9/2009 Meritt
D602,647 S 10/2009 Polstein et al.
D603,104 S 10/2009 Meritt
D603,105 S 10/2009 Meritt
D603,566 S 11/2009 Meritt
D604,017 S 11/2009 Meritt
2002/0134850 A1 9/2002 Hollenberg
2005/0224126 A1 10/2005 Otani et al.
2005/0229860 A1 10/2005 Meritt
2005/0269367 A1 12/2005 Post
2006/0048712 A1 3/2006 Boyer
2006/0060148 A1 3/2006 Boyer
2006/0283396 A1 12/2006 Hernandez
2007/0028844 A1 2/2007 Bodenstab et al.
2008/0178815 A1 7/2008 Meritt
2008/0178816 A1 7/2008 Meritt

FOREIGN PATENT DOCUMENTS

GB 2193782 A 2/1988

OTHER PUBLICATIONS

Advertisement (Mumme's Inc.) (1 page), The Journal of the Texas Trophy Hunters Association, Jan./Feb. 2005, on reverse side of p. 74.
Advertisement (Sweeney Automated Feeding Systems) (2 pages, front and back) (date referenced Jan. 1-Feb. 28, 2005).
Internet web site (Atascosa Wildlife Supply) (2 pages); <http://www.atascosawildlifesupply.com/feeders.html> (Mar. 8, 2005).
Advertisement (Atascosa Wildlife Supply) (2 pages); The Journal of the Texas Trophy Hunters Association, May/Jun. 2005 (reverse sides of pp. 23 and 26).
Advertisement (Texas Wildlife Supply) (1 page), The Journal of the Texas Trophy Hunters Association, May/Jun. 2005 (reverse side of p. 174).
Internet web site (American Hunter Outdoor Products) (15 pages); <http://www.americanhunterfeeders.com> (Feb. 24, 2005).
Internet web site (Mumme's Inc.) (1 page); <http://www.mummesinc.com> (Feb. 24, 2005).
Internet web site (Boss Game Systems) (3 pages); <http://www.bossgamesystems.com> (Oct. 6, 2005).
Advertisement (American Hunter Outdoor Products) (1 page), The Journal of the Texas Trophy Hunters Association, May/Jun. 2005, on reverse side of p. 155.
"Introduction to Welding," Materials Engineering Group.; Copyright 1997 Materials Engineering (Uk) Ltd.; <http://www.meg.co.uk/meg/app01.htm>.
"Welding," Microsoft Encarta Online Encyclopedia 2002; <http://encarta.msn.com> (1997-2002) Microsoft Corporation.
"Fair Special, 2000# Capacity Gravity Flow Protein Feeder," and Photo, Sycamore Springs Ranch, Approximately Oct. 2005.
Advertisement (Rick Meritt; Outback Wildlife Feeders); The Journal of the Texas Trophy Hunters, Sep./Oct. 2007, vol. 32, No. 5 (3pp).
Advertisement (Rick Meritt; Outback Wildlife Feeders); The Journal of the Texas Trophy Hunters, Jul./Aug. 2006, vol. 31, No. 4 (3pp).
Advertisement (Rick Meritt; Outback Wildlife Feeders); The Journal of the Texas Trophy Hunters, Sep./Oct. 2005, vol. 30, No. 5 (3pp).
Advertisement (Rick Meritt; Outback Wildlife Feeders); The Journal of the Texas Trophy Hunters, Sep./Oct. 2001, vol. 26, No. 5 (2pp).

US D624,706 S

Page 4

Advertisement (Rick Meritt; Outback Wildlife Feeders); The Journal of the Texas Trophy Hunters, Sep./Oct. 2002, vol. 27, No. 5 (2pp).

Advertisement (Rick Meritt; Outback Wildlife Feeders); The Journal of the Texas Trophy Hunters, Sep./Oct. 2003, vol. 28, No. 5 (2pp).

Advertisement (Rick Meritt; Outback Wildlife Feeders); The Journal of the Texas Trophy Hunters, Sep./Oct. 2004, vol. 29, No. 5 (2pp).

* cited by examiner

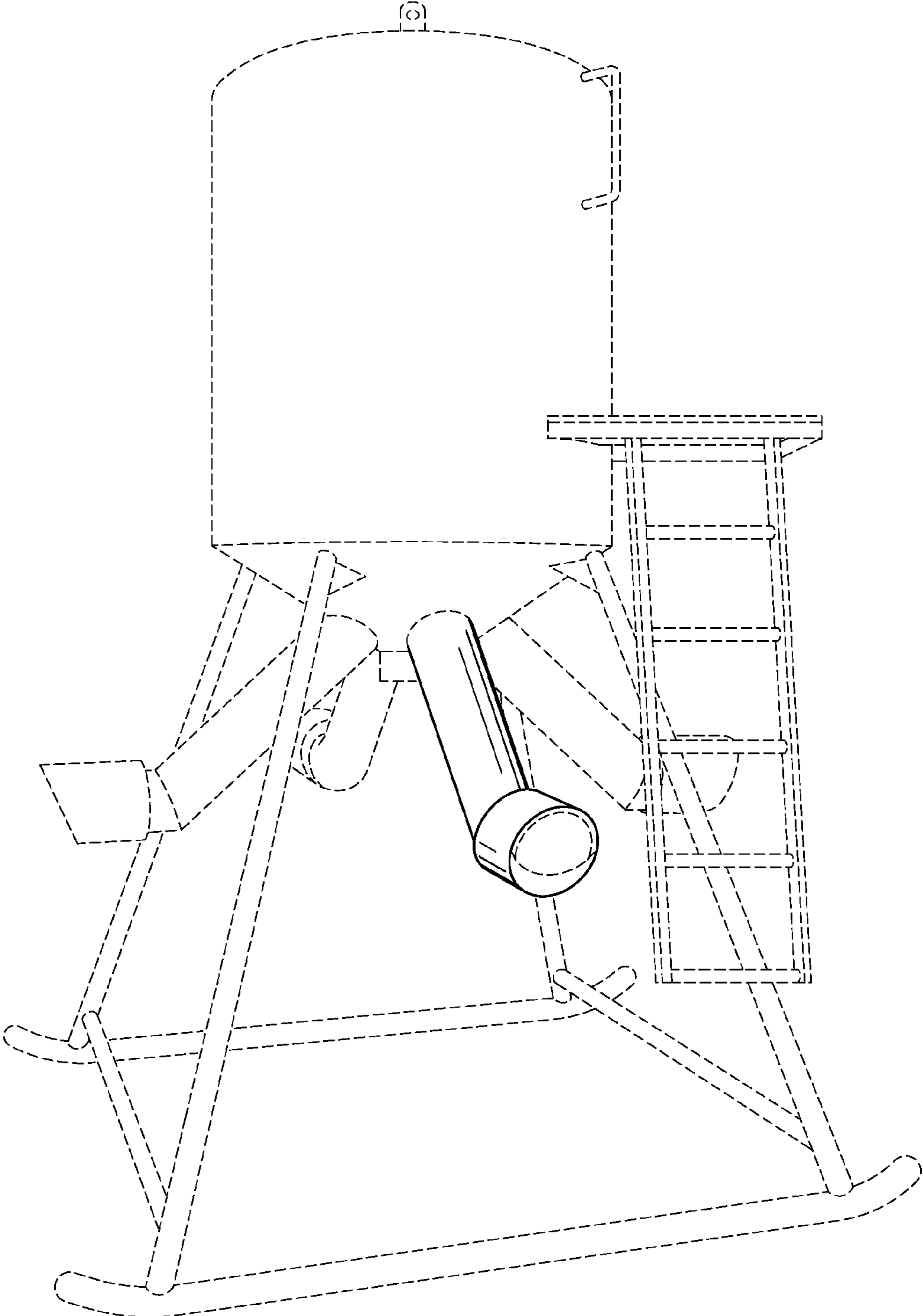


FIG. 1

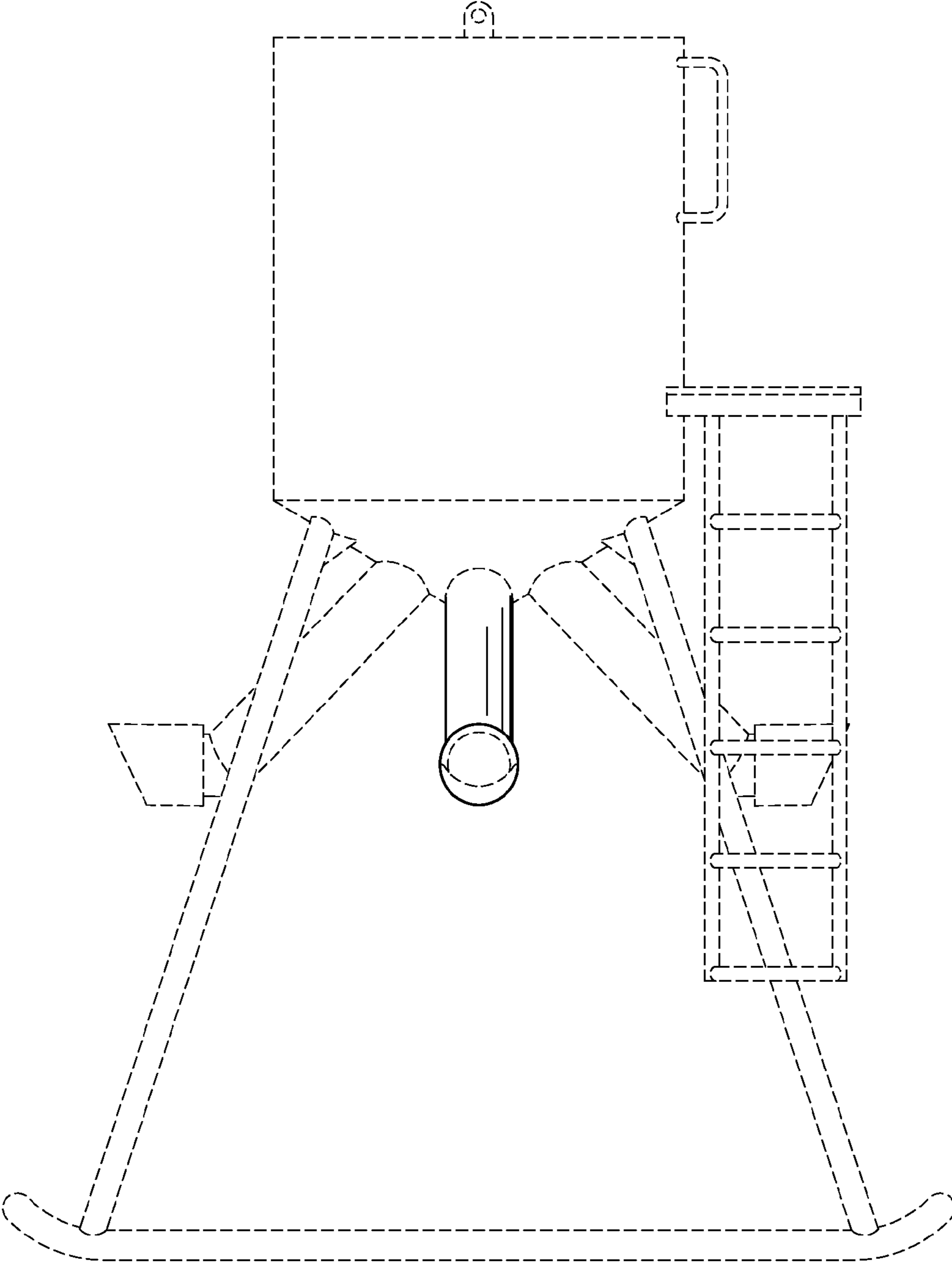


FIG. 2

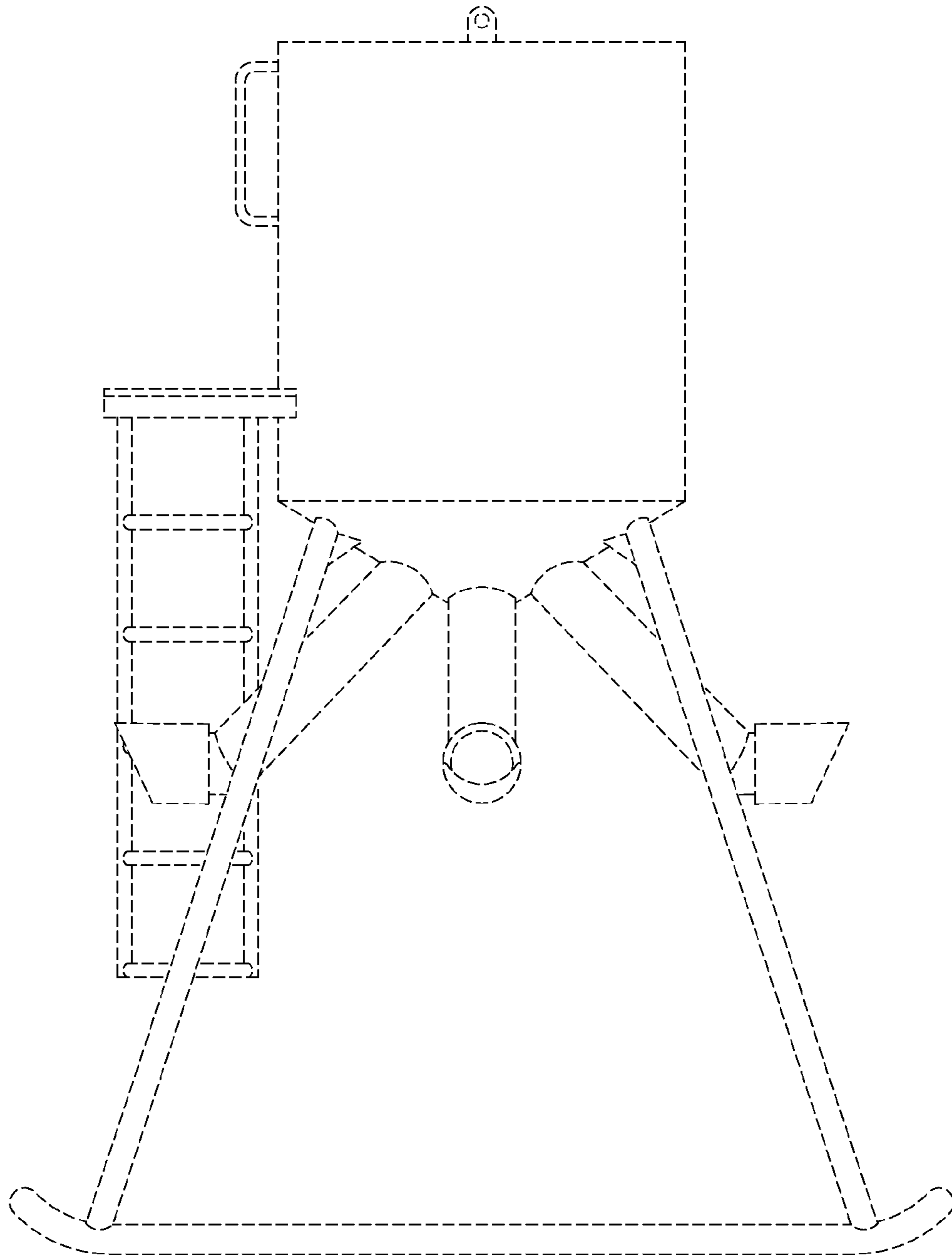


FIG. 3

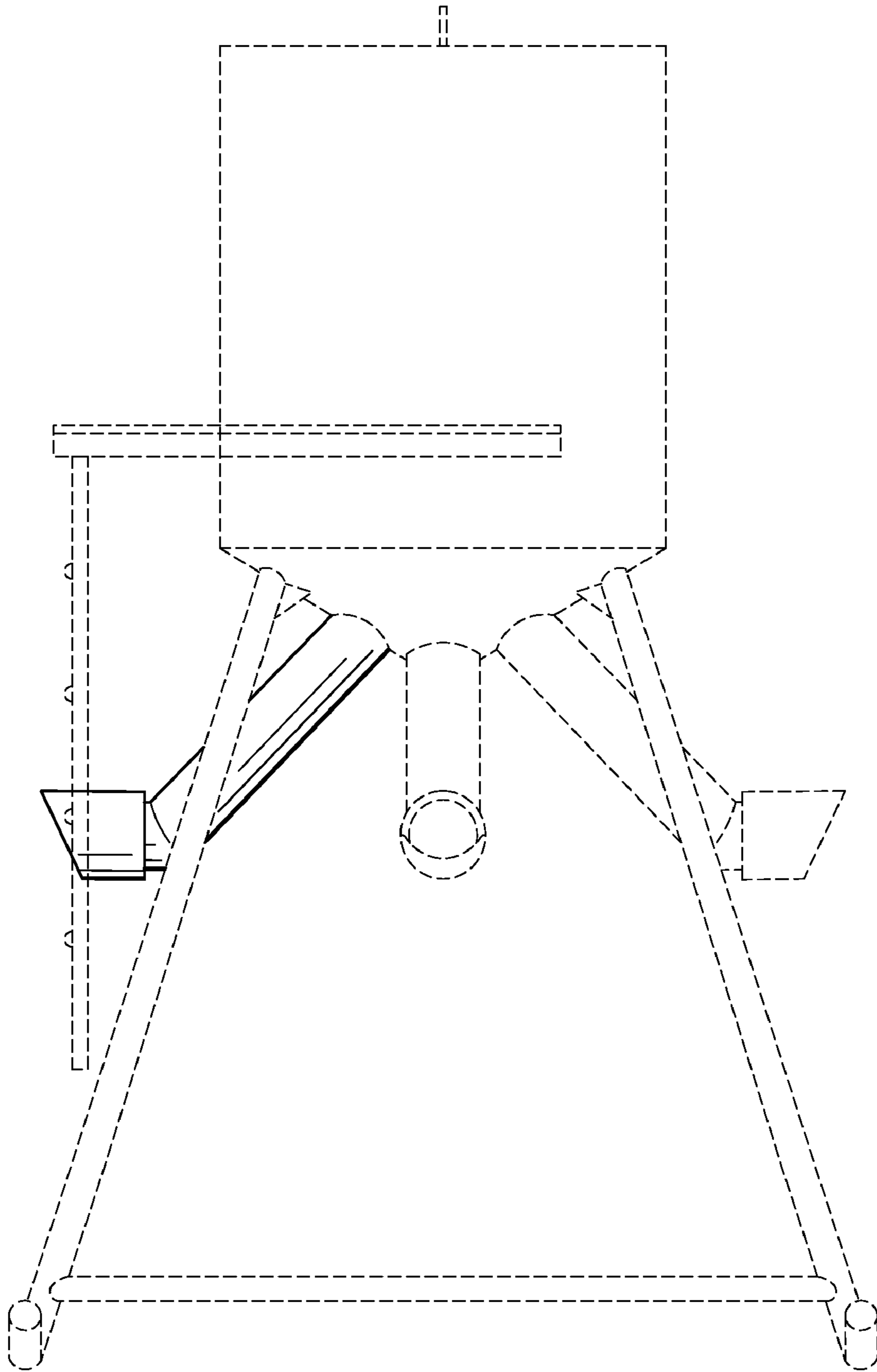


FIG. 4

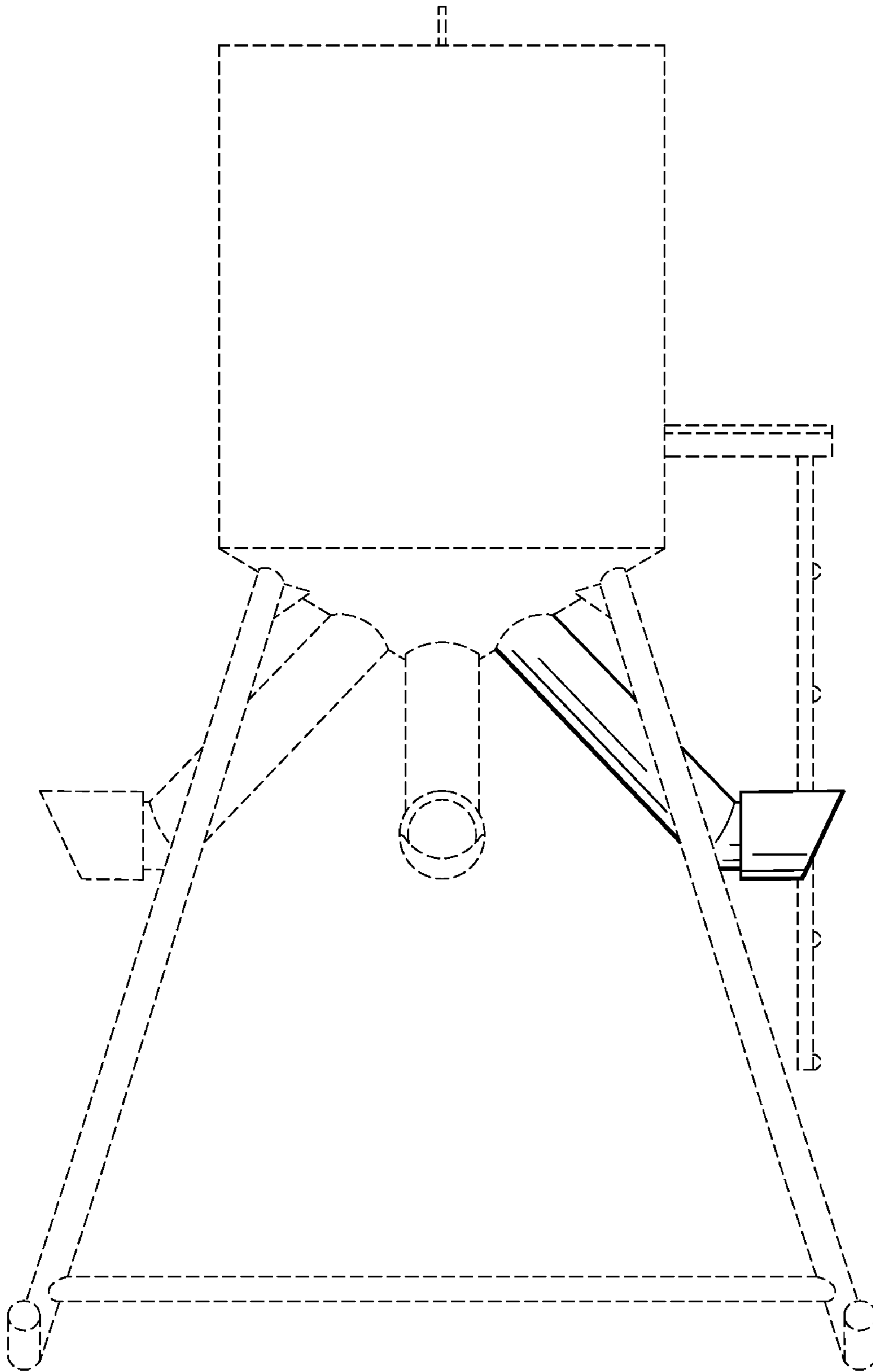


FIG. 5

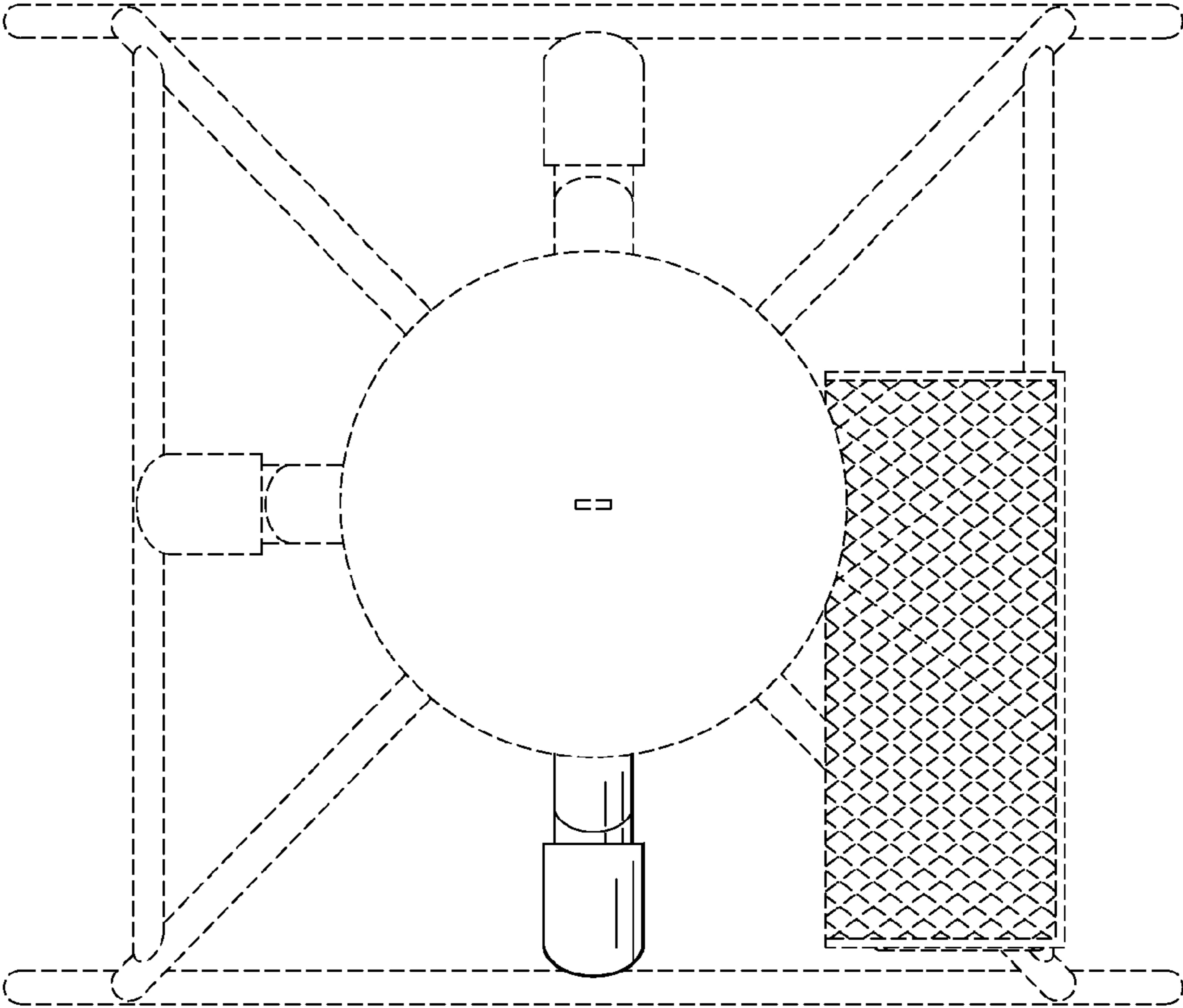


FIG. 6

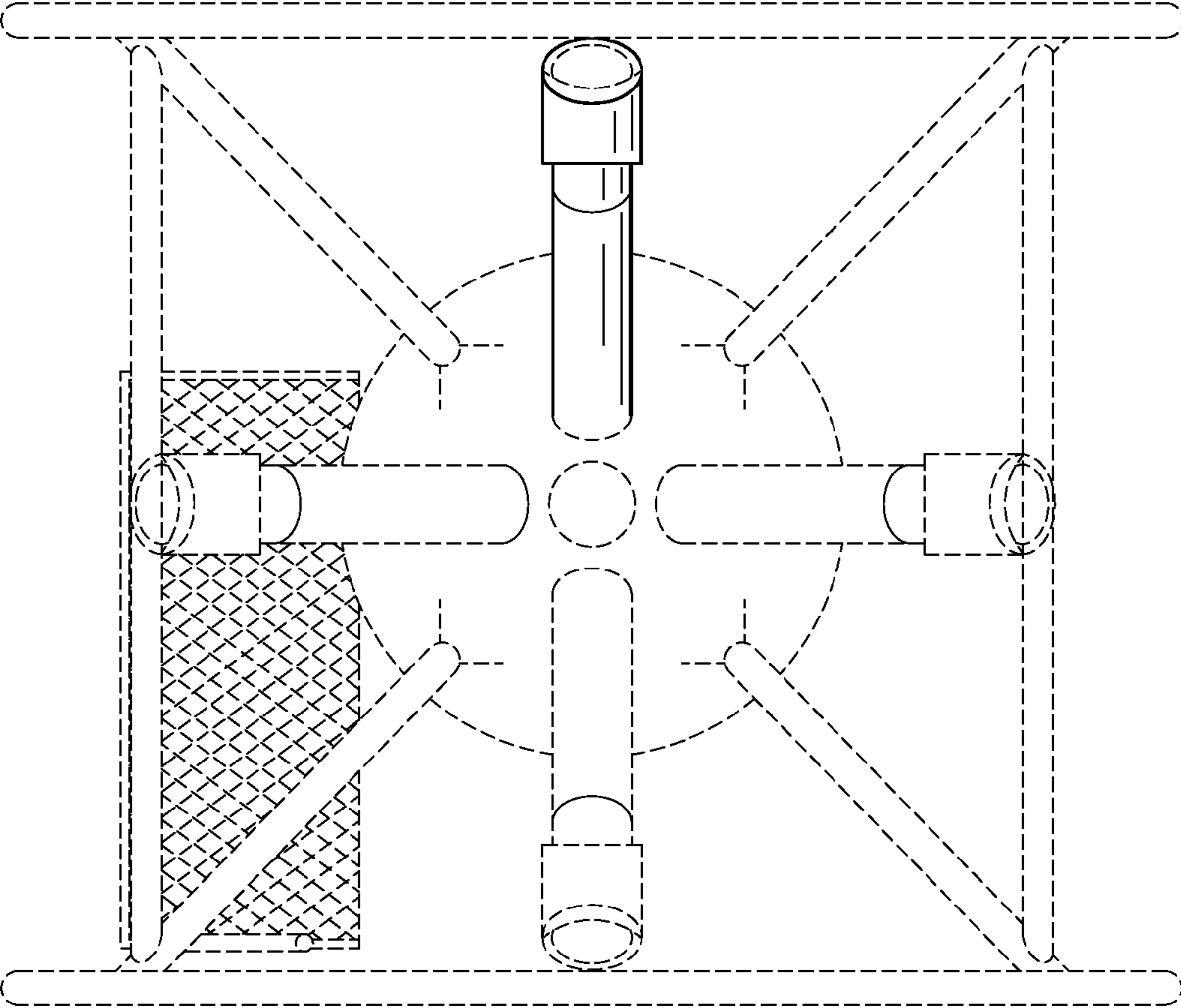


FIG. 7