



US00D624703S

(12) **United States Design Patent**  
**Misner et al.**

(10) **Patent No.:** **US D624,703 S**  
(45) **Date of Patent:** **\*\* Sep. 28, 2010**

(54) **DENTAL FLOSSER**

(75) Inventors: **Chad Misner**, Arlington Heights, IL (US); **Leoncio Angel Gonzalez**, Winfield, IL (US); **Russell G. Kalbfeld**, Naperville, IL (US)

(73) Assignee: **Sunstar Americas, Inc.**, Chicago, IL (US)

(\*\*) Term: **14 Years**

(21) Appl. No.: **29/354,888**

(22) Filed: **Jan. 29, 2010**

(51) **LOC (9) Cl.** ..... **28-03**

(52) **U.S. Cl.** ..... **D28/68**

(58) **Field of Classification Search** ..... D28/31,  
D28/56, 65-68, 73; D24/152; 433/141,  
433/146-147; 132/322-329

See application file for complete search history.

(56) **References Cited**

**U.S. PATENT DOCUMENTS**

D284,896 S *	7/1986	Ching-Chou .....	D28/68
D301,071 S *	5/1989	Franchi .....	D28/65
D316,617 S *	4/1991	Cheung .....	D28/68
5,738,125 A *	4/1998	Lin .....	132/323
D412,043 S *	7/1999	Dolan et al. ....	D28/68
D424,748 S *	5/2000	Dolan et al. ....	D28/68
D521,189 S *	5/2006	Winkler et al. ....	D28/66
D531,758 S *	11/2006	Jansheski et al. ....	D28/68

D532,160 S *	11/2006	Jansheski et al. ....	D28/68
D607,606 S *	1/2010	Chodorow et al. ....	D28/66
D609,405 S *	2/2010	Jansheski et al. ....	D28/66

\* cited by examiner

*Primary Examiner*—Janice E Seeger

*Assistant Examiner*—Zenia I Bennett

(74) *Attorney, Agent, or Firm*—Michael Best & Friedrich LLP

(57) **CLAIM**

We claim the ornamental design for a dental flosser, as shown and described.

**DESCRIPTION**

FIG. 1 is a perspective view a dental flosser embodying the present invention.

FIG. 2 is a right side view of the dental flosser shown in FIG. 1.

FIG. 3 is a left side view of the dental flosser shown in FIG. 1.

FIG. 4 is a top view of the dental flosser shown in FIG. 1.

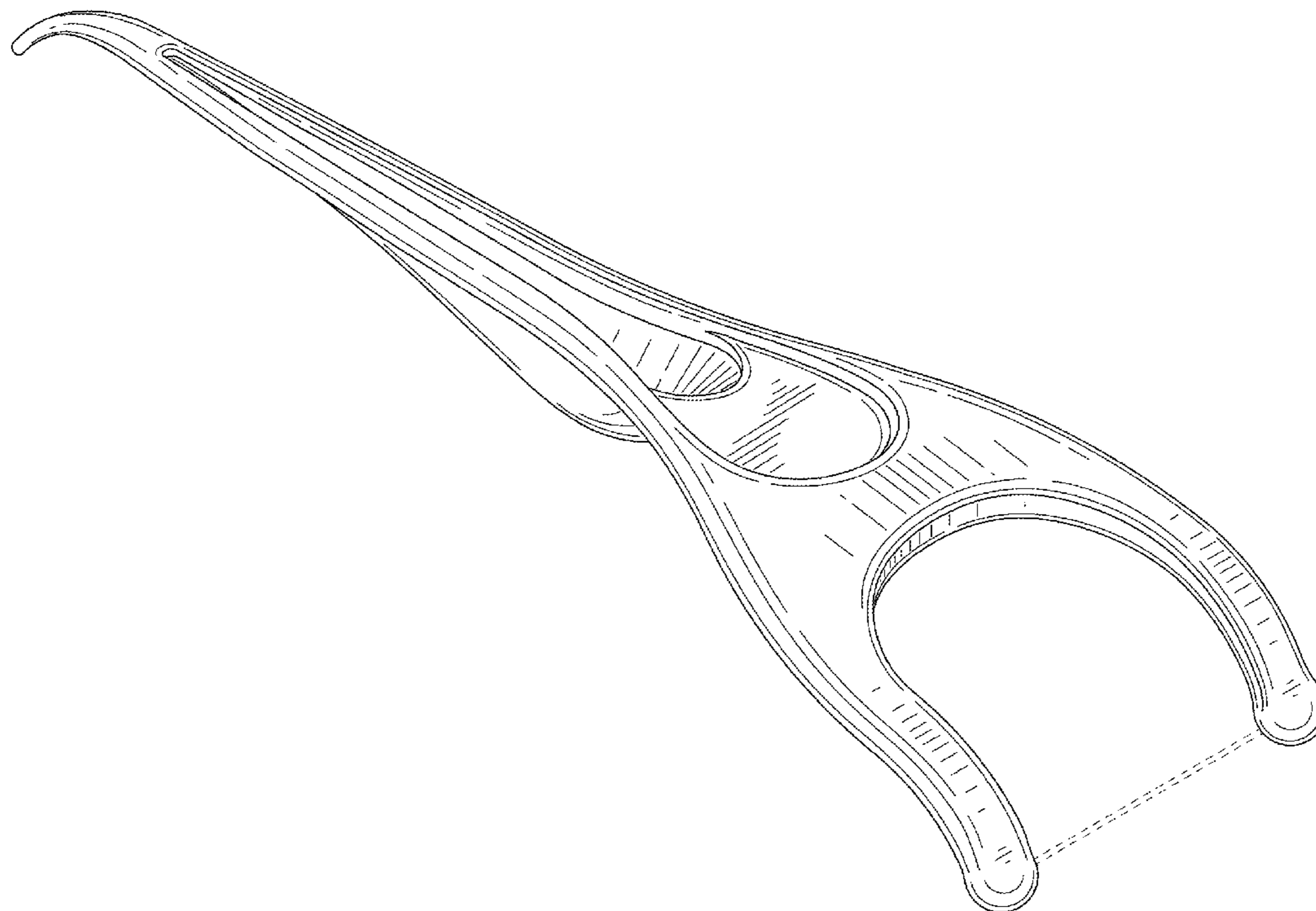
FIG. 5 is a bottom view of the dental flosser shown in FIG. 1.

FIG. 6 is a front view of the dental flosser shown in FIG. 1; and,

FIG. 7 is a rear view of the dental flosser shown in FIG. 1.

The broken lines show portions of the dental flosser that form no part of the claimed design.

**1 Claim, 4 Drawing Sheets**



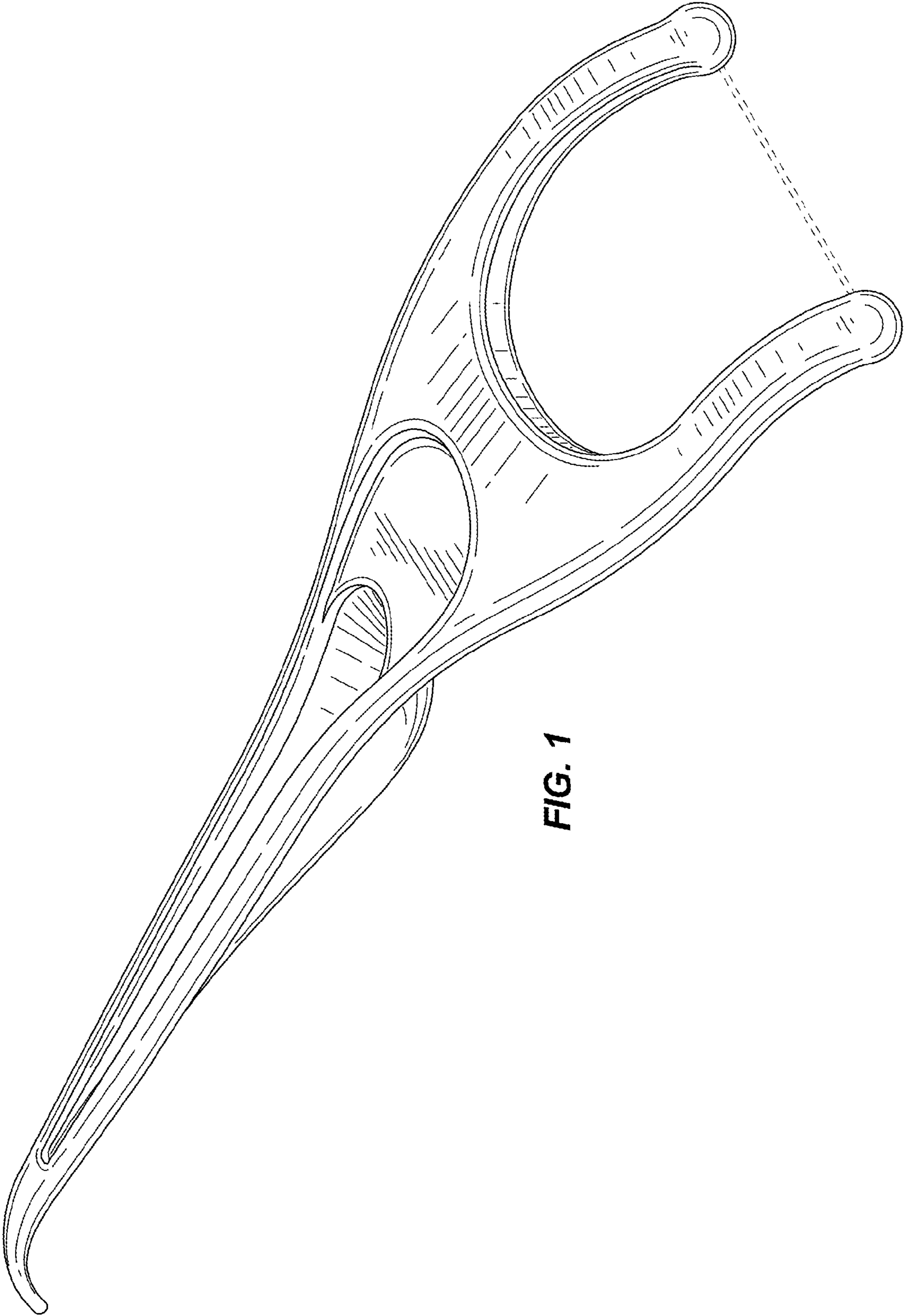


FIG. 1

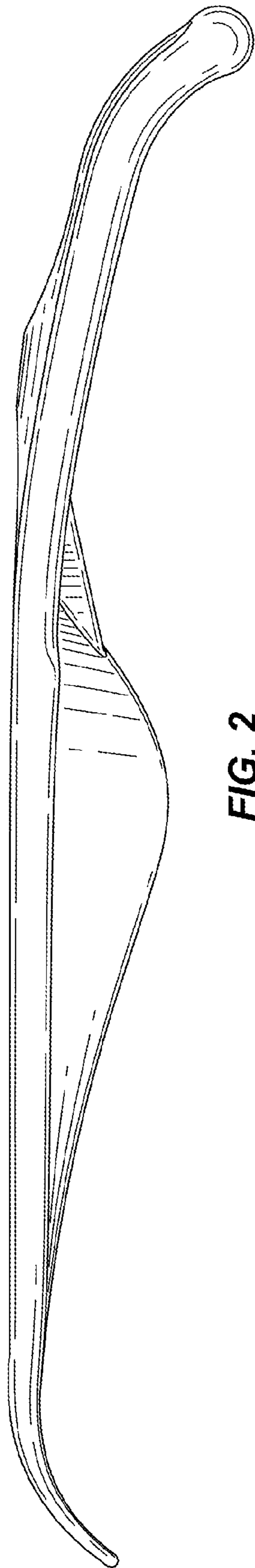


FIG. 2

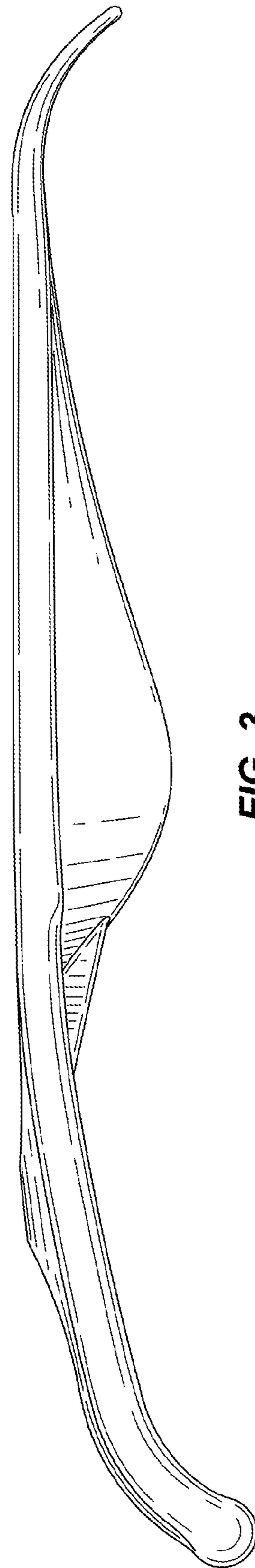


FIG. 3

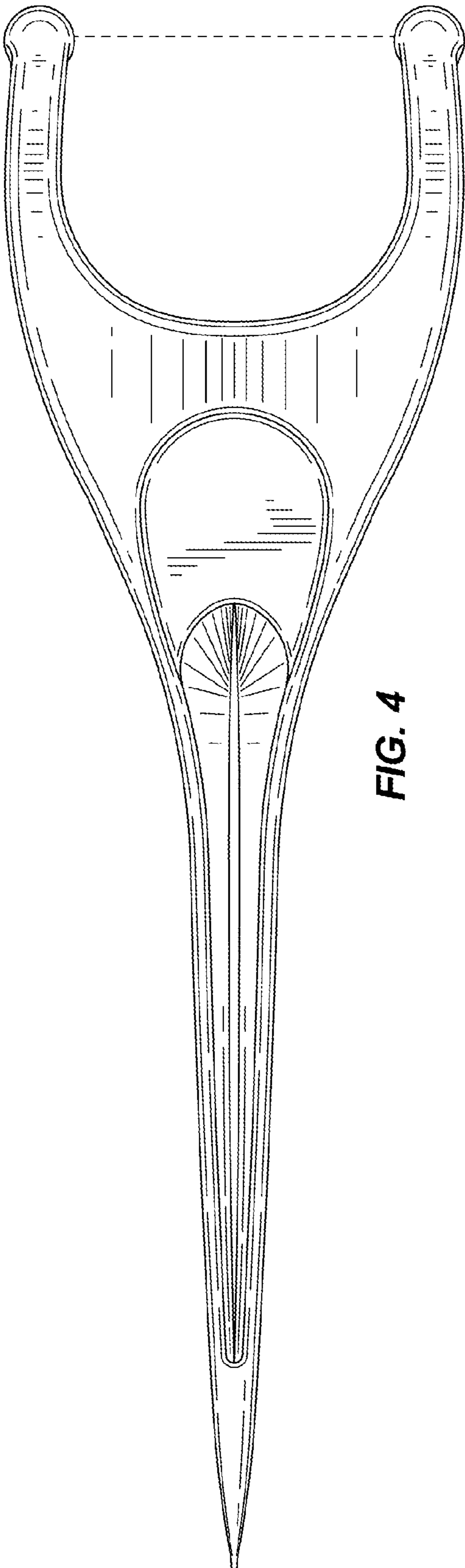


FIG. 4

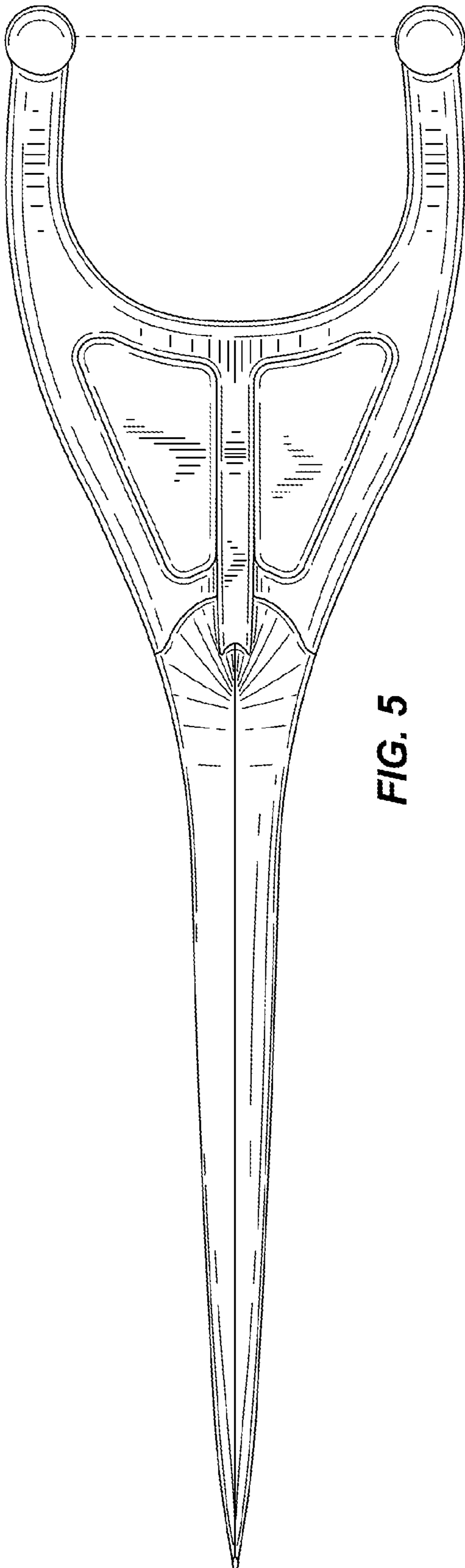
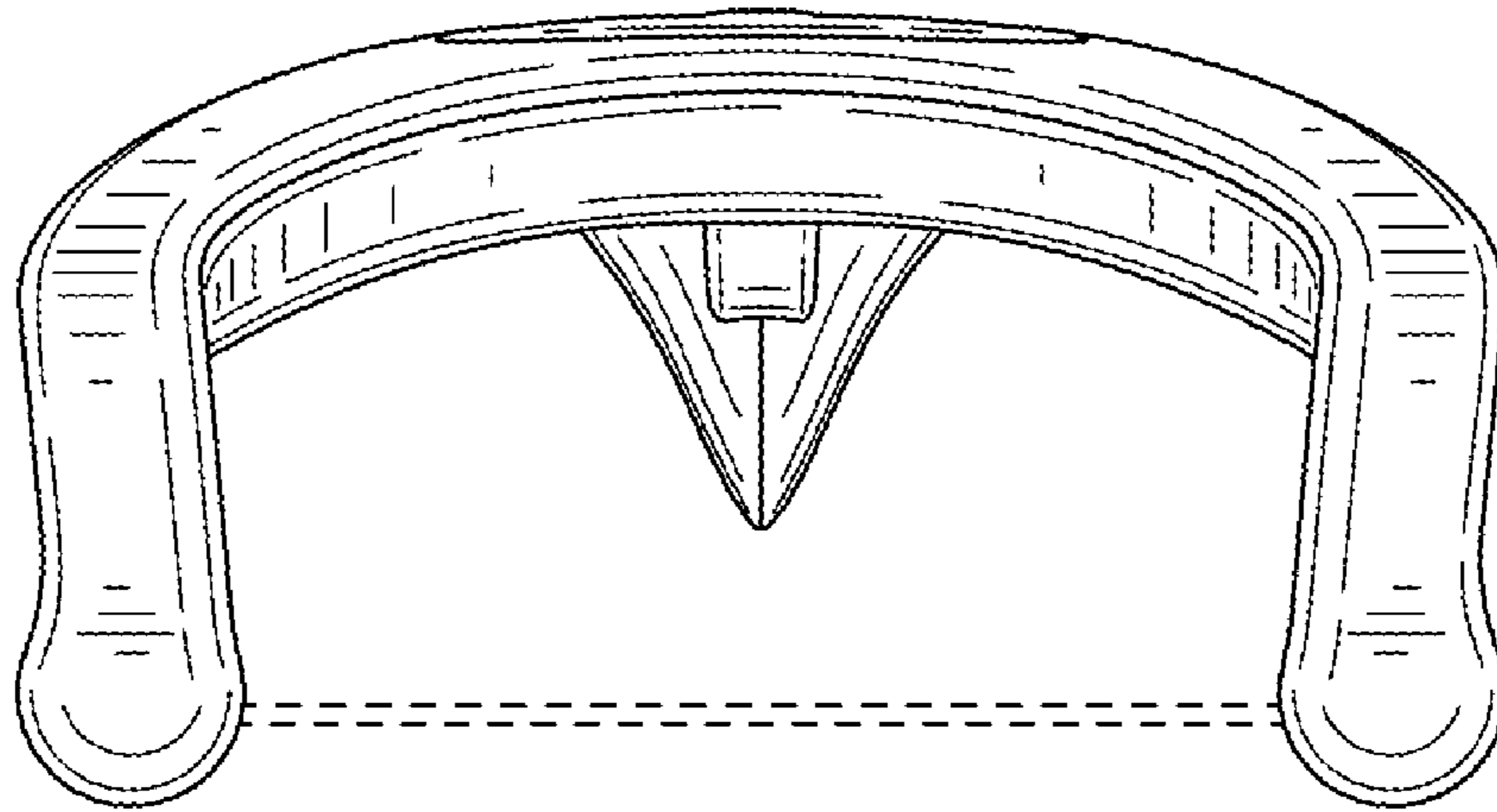
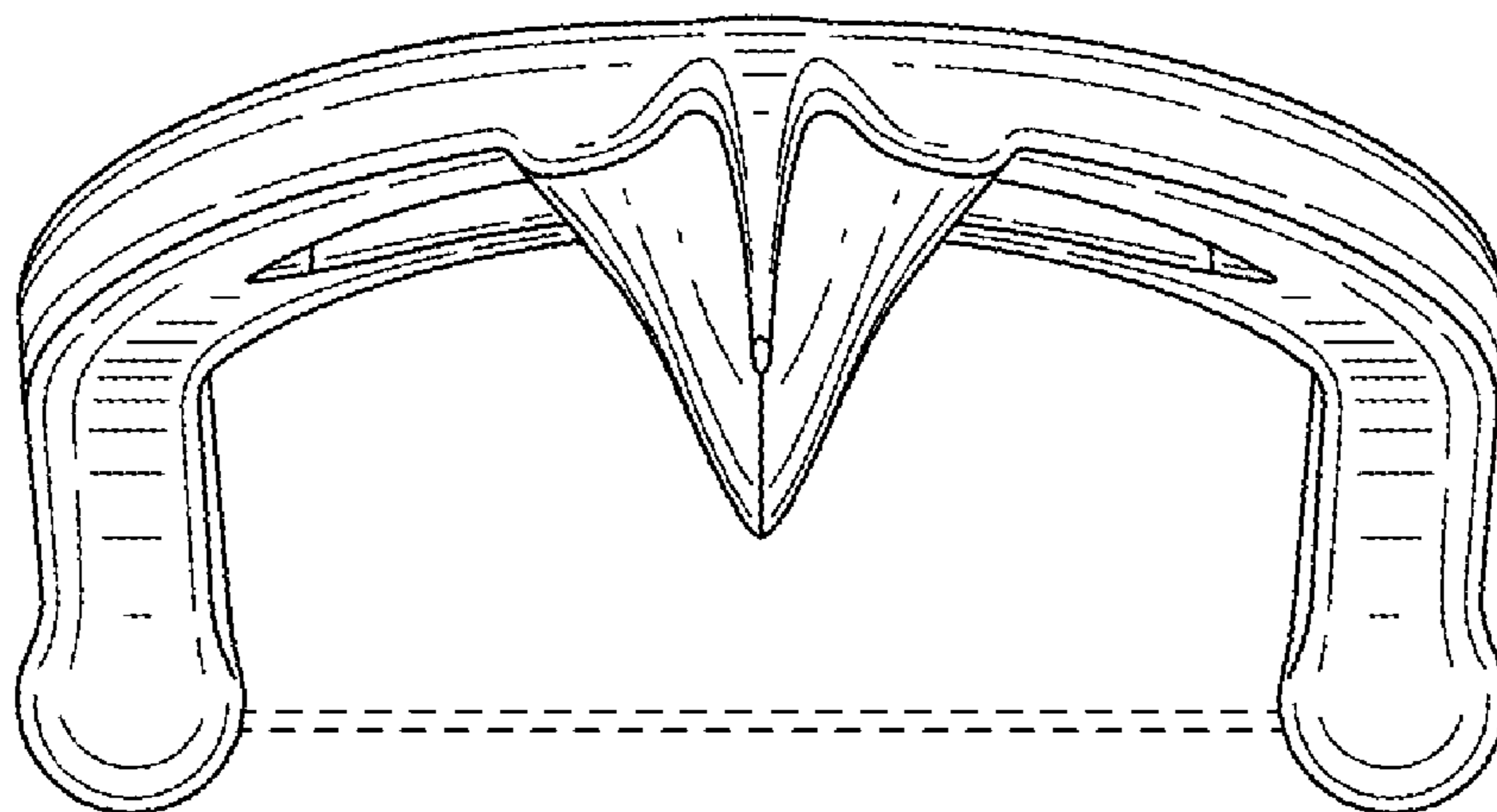


FIG. 5



**FIG. 6**



**FIG. 7**