



US00D624693S

(12) **United States Design Patent**
Mercado

(10) **Patent No.:** **US D624,693 S**

(45) **Date of Patent:** **** Sep. 28, 2010**

(54) **CIGAR**

(76) **Inventor:** **Oscar Mercado**, 1301 St. Tropez Cir.,
Apt. 2113, Weston, FL (US) 33326

(**) **Term:** **14 Years**

(21) **Appl. No.:** **29/351,658**

(22) **Filed:** **Dec. 9, 2009**

(51) **LOC (9) Cl.** **27-01**

(52) **U.S. Cl.** **D27/101**

(58) **Field of Classification Search** D27/100,
D27/101; 131/58, 105, 106, 280, 330; D5/55,
D5/56

See application file for complete search history.

(56) **References Cited**

U.S. PATENT DOCUMENTS

D28,058 S	12/1897	Weinreich	
D28,836 S	6/1898	Heitmann	
D29,089 S	7/1898	Heitmann	
D29,090 S	7/1898	Heitmann	
D34,334 S	4/1901	Requard	
694,217 A	2/1902	Tnen	
D42,414 S	4/1912	Broderick	
D68,081 S	9/1925	Baer	
2,366,187 A	1/1945	Fridwald	
D163,978 S *	7/1951	Timmons D5/7
D170,716 S	10/1953	Reseska	
D180,540 S	6/1957	Weber	
3,030,963 A	4/1962	Cohn	
D237,807 S *	11/1975	Russell et al. D27/188
D240,541 S *	7/1976	Rupert D27/101

D240,740 S	7/1976	Fukushima	
D297,596 S	9/1988	Marquart, Sr.	
D322,333 S	12/1991	Raich	
5,101,840 A *	4/1992	Riehl, Jr. 131/365
D415,678 S *	10/1999	Pullan D27/101
D417,929 S	12/1999	Yount	
D426,311 S *	6/2000	Horowitz et al. D27/101
6,172,328 B1	1/2001	Jones et al.	
6,180,914 B1	1/2001	Jones et al.	
D437,776 S *	2/2001	Pullan D9/648
D503,358 S *	3/2005	Lee D11/149
2003/0217757 A1	11/2003	Edelmann	

* cited by examiner

Primary Examiner—Stella M Reid

Assistant Examiner—Keli L Hill

(74) *Attorney, Agent, or Firm*—GrayRobinson, P.A.

(57) **CLAIM**

The ornamental design for a cigar, as shown and described.

DESCRIPTION

FIG. 1 is a perspective view of a cigar, showing my new design;

FIG. 2 is a front elevational view thereof;

FIG. 3 is a rear elevational view thereof.

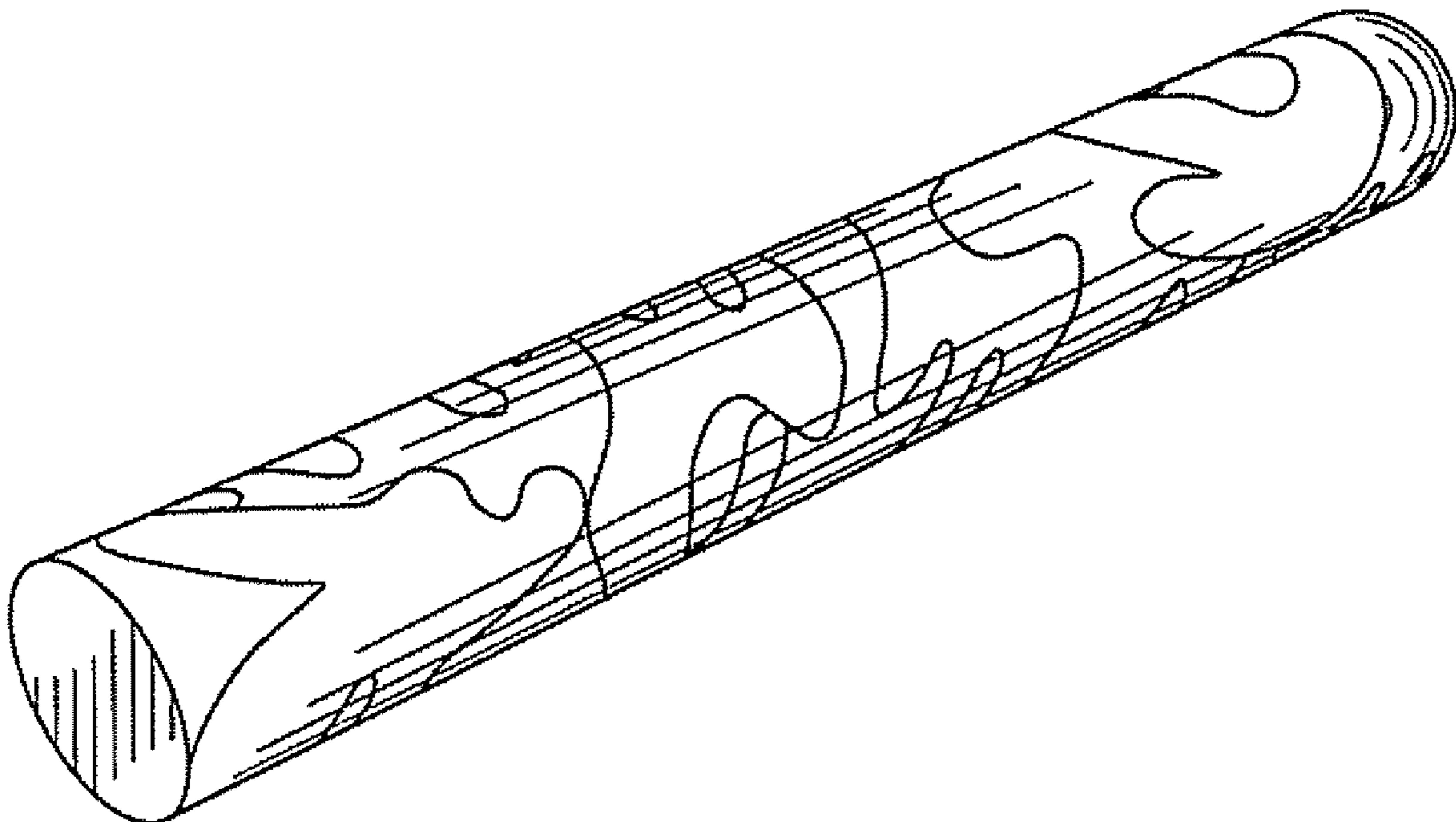
FIG. 4 is a left side perspective view thereof;

FIG. 5 is a bottom perspective view thereof;

FIG. 6 is a right side perspective view thereof; and,

FIG. 7 is a top perspective view thereof.

1 Claim, 3 Drawing Sheets



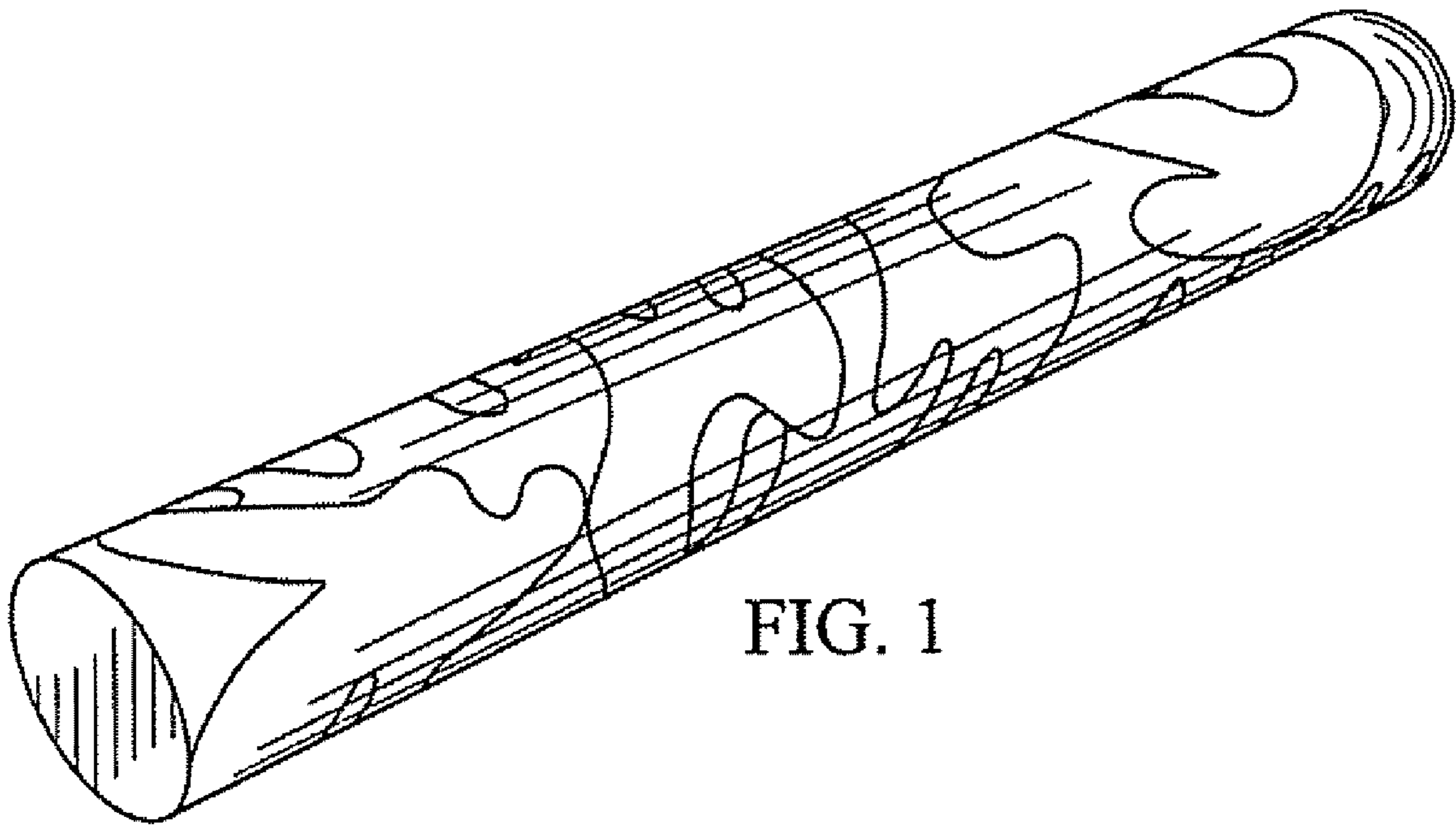


FIG. 1



FIG. 2



FIG. 3

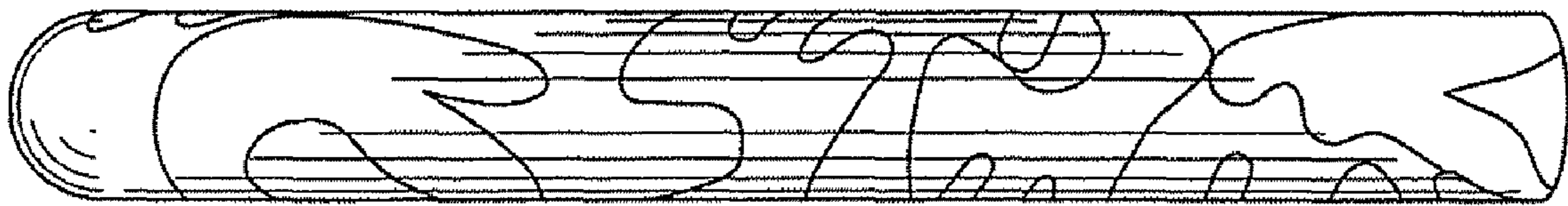


FIG. 4

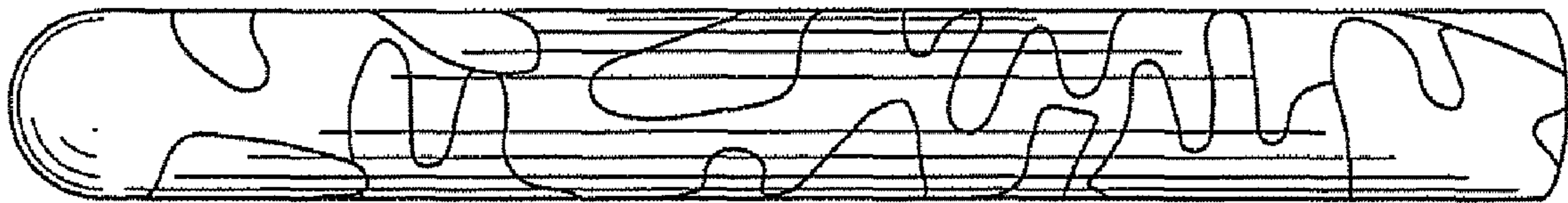


FIG. 5

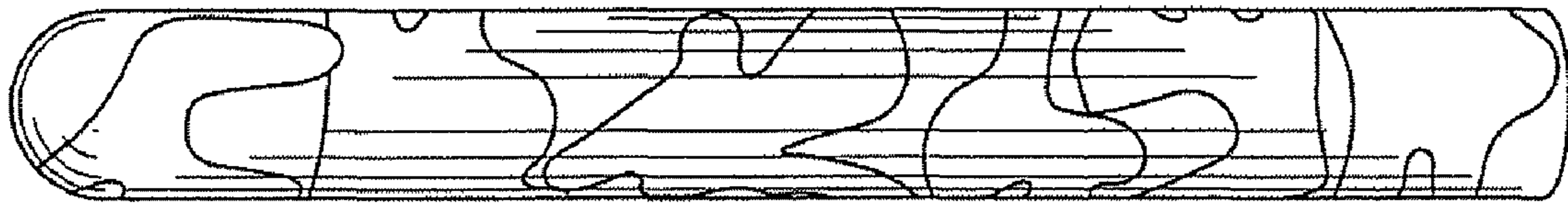


FIG. 6



FIG. 7