



US00D624692S

(12) **United States Design Patent**  
**Mackin et al.**

(10) **Patent No.:** **US D624,692 S**

(45) **Date of Patent:** **\*\* Sep. 28, 2010**

(54) **LED DOCK LIGHT HEAD**

(75) Inventors: **Michael P. Mackin**, Chicago, IL (US);  
**Robert J. Herling**, Skokie, IL (US)

(73) Assignee: **Tri-Lite, Inc.**, Chicago, IL (US)

(\*\*) Term: **14 Years**

(21) Appl. No.: **29/360,188**

(22) Filed: **Apr. 21, 2010**

(51) **LOC (9) Cl.** ..... **26-99**

(52) **U.S. Cl.** ..... **D26/142**

(58) **Field of Classification Search** ..... D26/28,  
D26/30, 31, 118, 2, 74, 152, 38, 26, 142,  
D26/123, 122, 120, 128, 131, 133, 134, 119,  
D26/121, 124, 129, 138, 139, 140, 141, 61,  
D26/63, 107, 67, 71, 70, 72; 362/294, 373,  
362/493, 496, 509, 147, 257, 296, 317, 326,  
362/331, 335, 340, 350, 364, 384, 365; D23/411;  
D13/180; 40/572, 592; D20/10, 17, 42;  
248/343, 323; 174/58; D8/16, 354, 355,  
D8/366, 373, 380, 381, 382, 383

See application file for complete search history.

(56) **References Cited**

U.S. PATENT DOCUMENTS

3,538,321	A *	11/1970	Keller et al.	362/289
D443,707	S *	6/2001	Poon	D26/41
D538,951	S *	3/2007	Maxik et al.	D26/2
D547,466	S *	7/2007	Lo	D26/2
D572,385	S *	7/2008	Mazzochette et al.	D26/2
D581,583	S *	11/2008	Peng	D26/135
D584,837	S *	1/2009	Mazzochette et al.	D26/2
D586,498	S *	2/2009	Wu et al.	D26/118
D587,833	S *	3/2009	Bina et al.	D26/63
D588,290	S *	3/2009	Coushaine et al.	D26/28

D597,704	S *	8/2009	Peng	D26/118
D606,502	S *	12/2009	Chen et al.	D13/179
7,631,987	B2 *	12/2009	Wei	362/294
2005/0174780	A1 *	8/2005	Park	362/294
2007/0253202	A1 *	11/2007	Wu et al.	362/294
2009/0290382	A1 *	11/2009	Liao	362/645

\* cited by examiner

*Primary Examiner*—Cathron C Brooks

*Assistant Examiner*—Kevin K Rudzinski

(74) *Attorney, Agent, or Firm*—Michael Best & Friedrich LLP

(57) **CLAIM**

We claim the ornamental design for a LED dock light head, as shown and described.

**DESCRIPTION**

FIG. 1 is a perspective view of a LED dock light head.

FIG. 2 is a front view of the LED dock light head shown in FIG. 1.

FIG. 3 is a rear view of the LED dock light head shown in FIG. 1.

FIG. 4 is a right side view of the LED dock light head shown in FIG. 1.

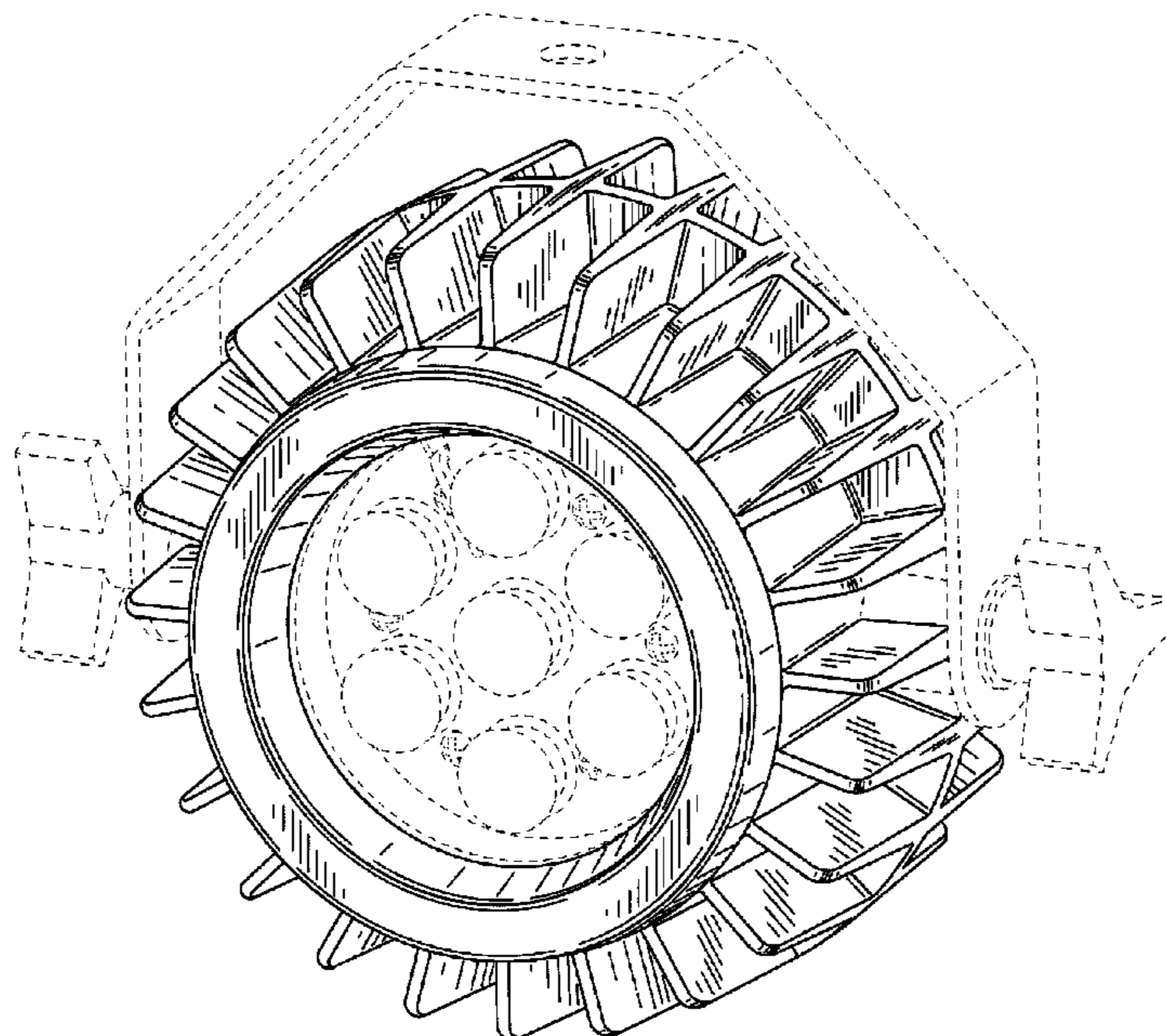
FIG. 5 is a left side view of the LED dock light head shown in FIG. 1.

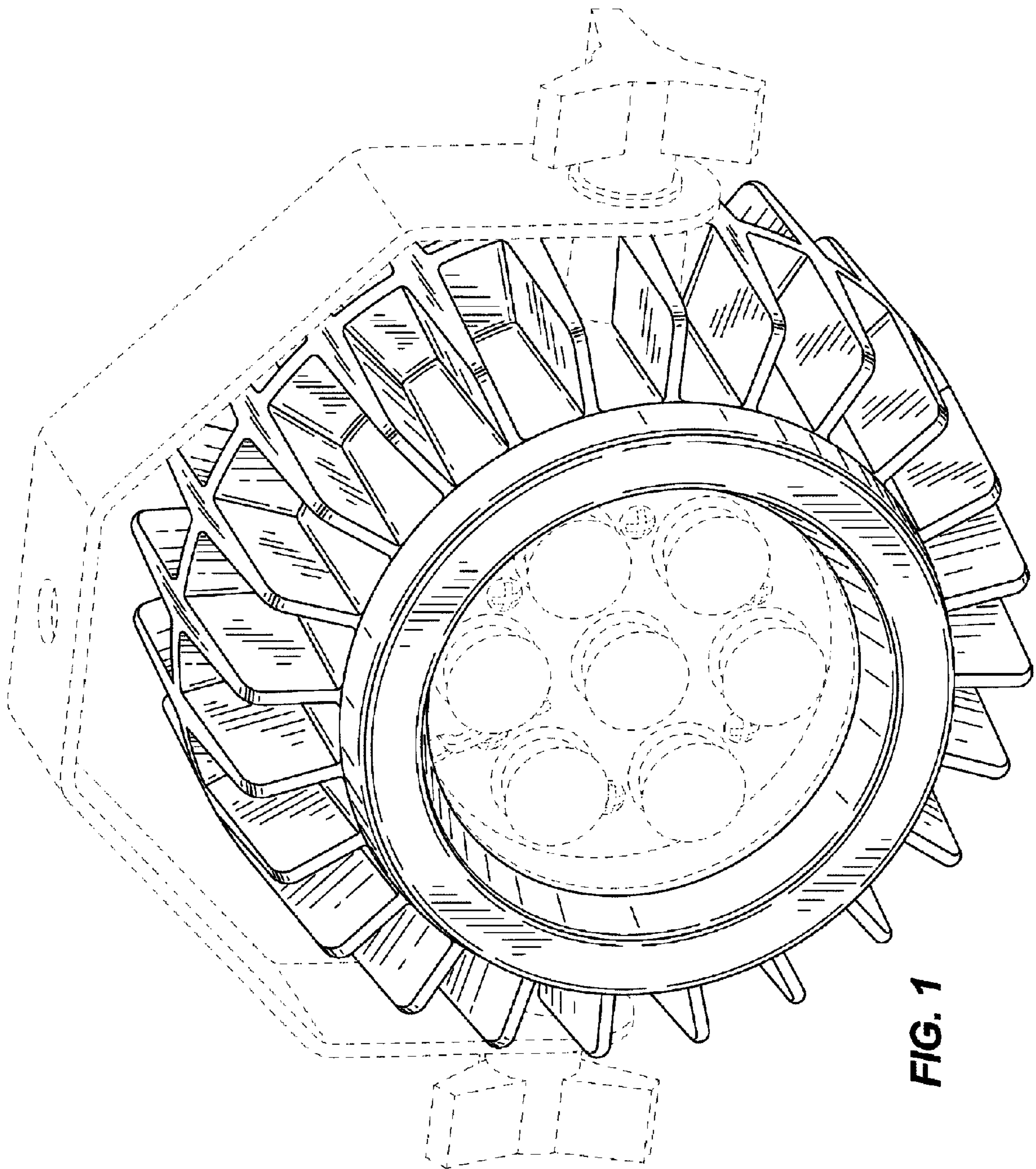
FIG. 6 is a top view of the LED dock light head shown in FIG. 1; and,

FIG. 7 is a bottom view of the LED dock light head shown in FIG. 1.

The broken lines show portions of the LED dock light head that form no part of the claimed design.

**1 Claim, 5 Drawing Sheets**





**FIG. 1**

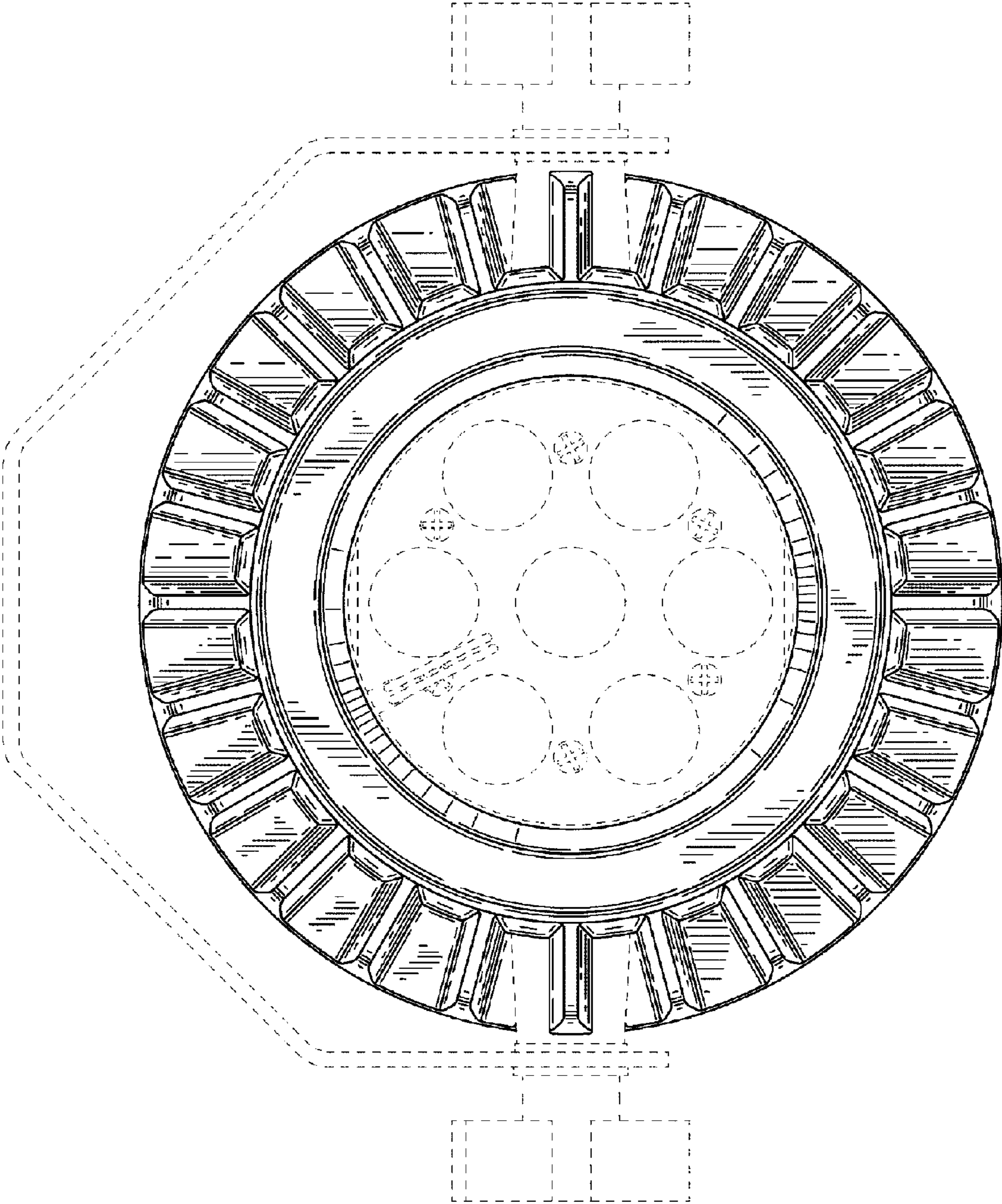
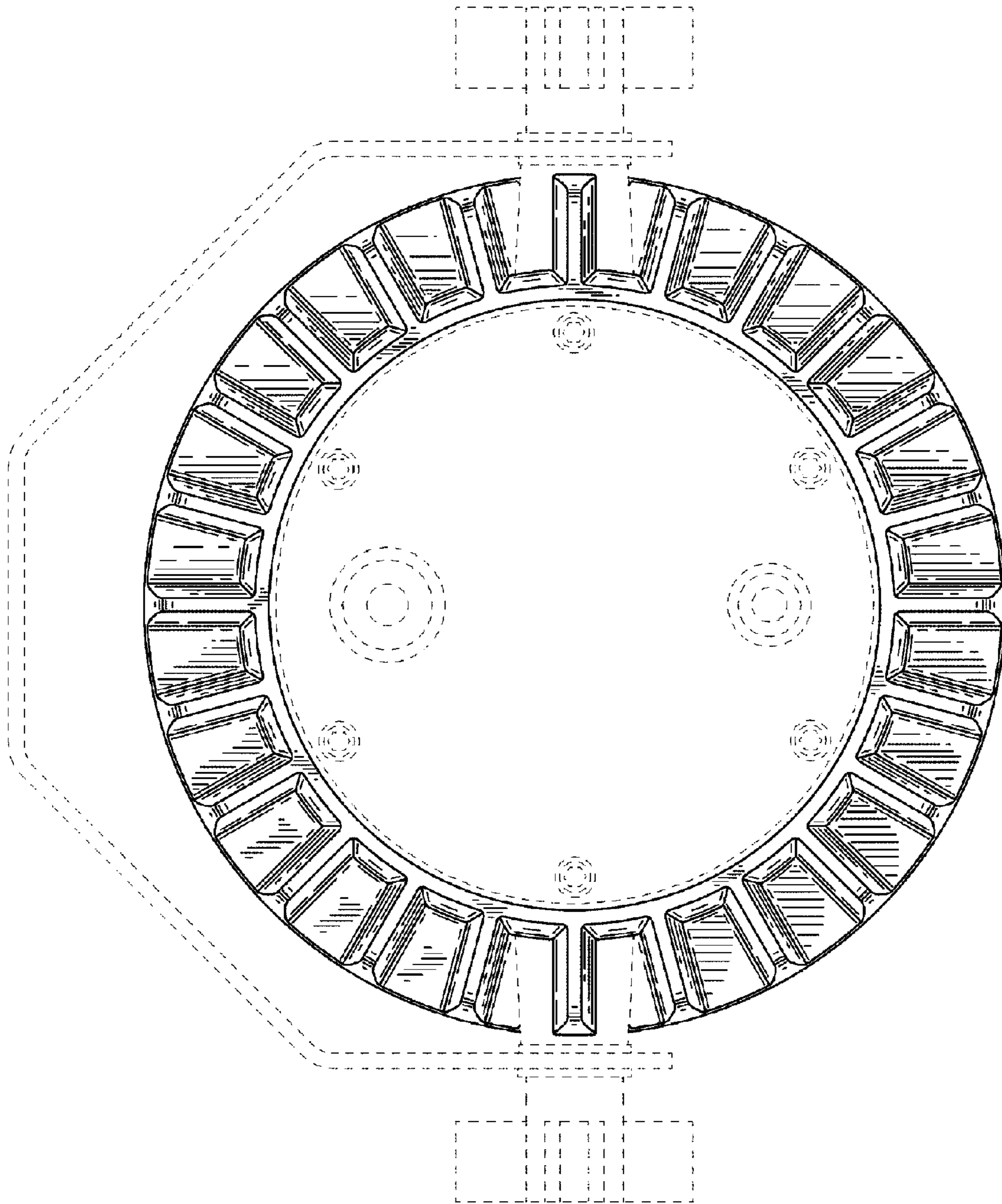


FIG. 2



**FIG. 3**

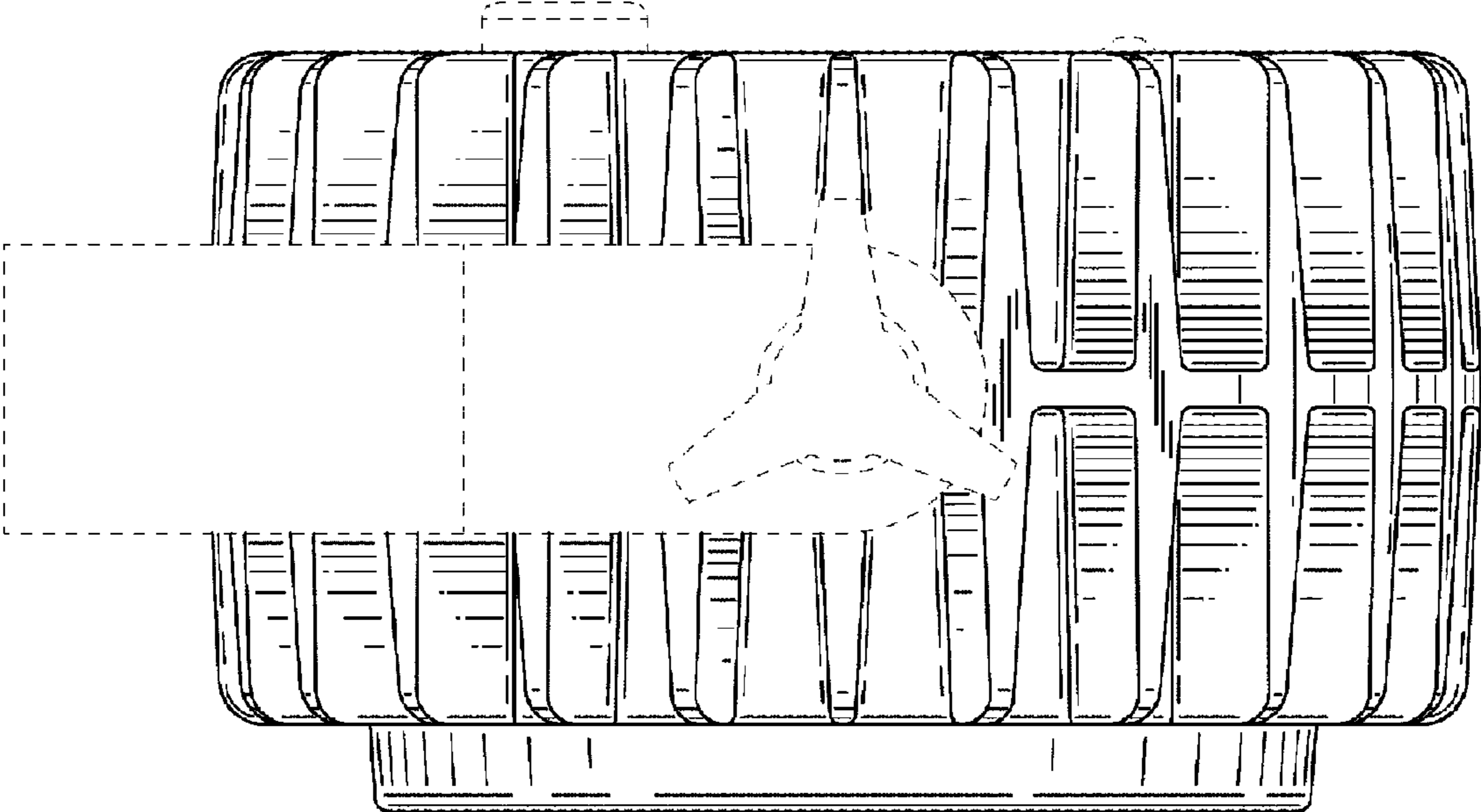


FIG. 4

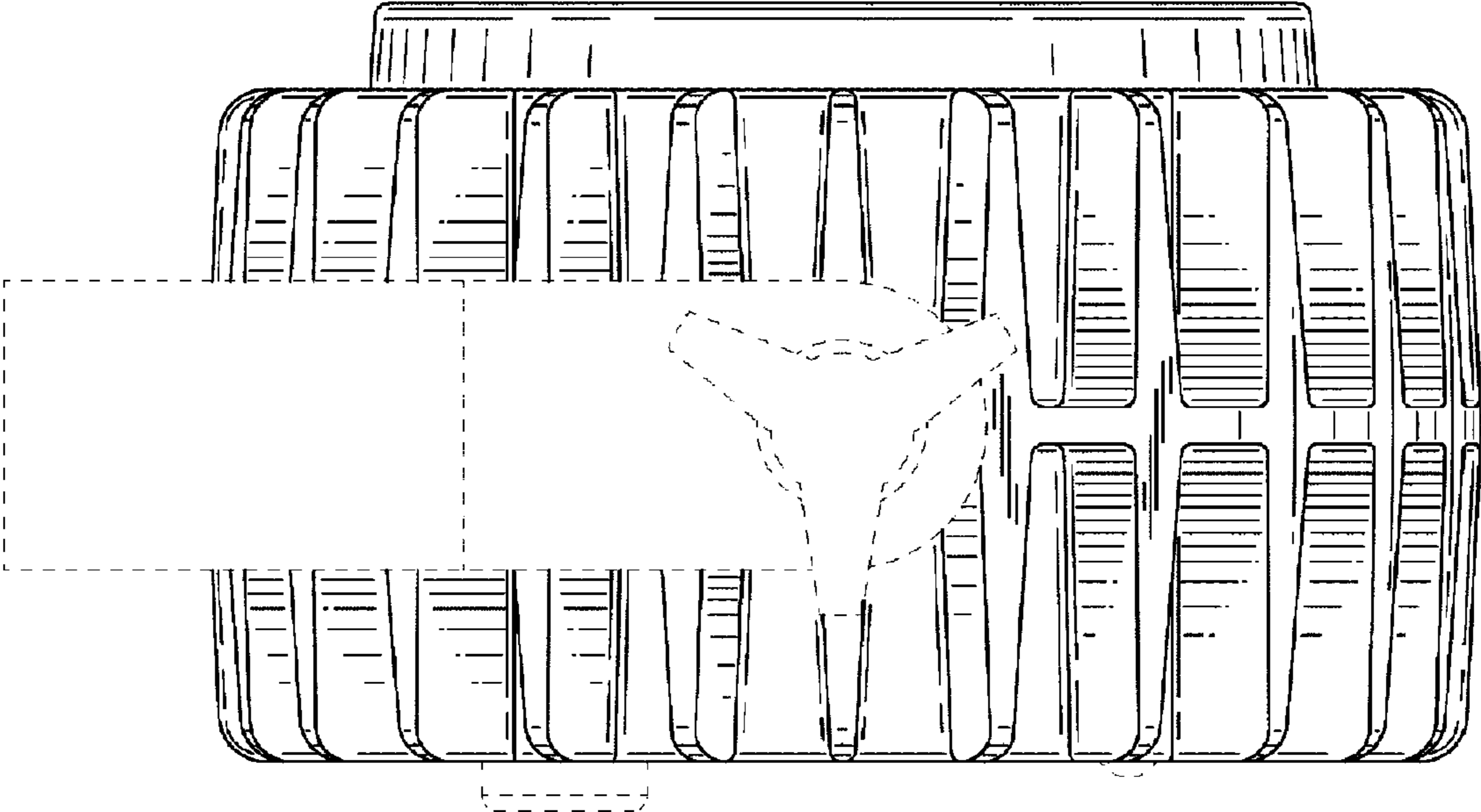


FIG. 5

