



US00D624691S

(12) **United States Design Patent**
Zhang et al.

(10) **Patent No.:** **US D624,691 S**

(45) **Date of Patent:** **** *Sep. 28, 2010**

(54) **RECESSED BAFFLE TRIM**

(75) Inventors: **Kanghong Zhang**, Torrance, CA (US);
Dan Dix, Irvine, CA (US)

(73) Assignee: **Cordelia Lighting, Inc.**, Rancho Dominguez, CA (US)

(*) Notice: This patent is subject to a terminal disclaimer.

(**) Term: **14 Years**

(21) Appl. No.: **29/352,912**

(22) Filed: **Dec. 29, 2009**

(51) **LOC (9) Cl.** **26-99**

(52) **U.S. Cl.** **D26/138**

(58) **Field of Classification Search** D26/124,
D26/123, 129, 130, 131, 120, 113, 152, 138,
D26/72, 77, 81, 83, 139, 85, 71, 87, 26, 118,
D26/125, 73, 9, 134, 84, 127, 63, 50, 119,
D26/60, 67, 128, 88, 86, 141, 142, 145, 153,
D26/154, 155, 76, 78, 122; 428/26; 362/147,
362/351, 365, 350, 348, 335, 364, 235, 249.02,
362/294, 345, 366, 249.1, 25, 240, 376, 221,
362/223, 325, 342; D12/163, 193; D11/125,
D11/121, 49, 117, 184; D1/106, 107; D23/366;
D6/332

See application file for complete search history.

(56) **References Cited**

U.S. PATENT DOCUMENTS

D115,970	S	*	8/1939	Stewart	D26/124
3,697,742	A	*	10/1972	Bobrick	362/366
D247,562	S	*	3/1978	Walker et al.	D14/209
D326,537	S	*	5/1992	Gattari	D26/74
D326,729	S	*	6/1992	Gattari	D26/74
D350,213	S	*	8/1994	Druffel et al.	D26/74
D383,564	S	*	9/1997	Lecluze	D26/118
D399,590	S	*	10/1998	Lecluze	D26/118
6,045,241	A	*	4/2000	Pahl	362/365
6,095,669	A	*	8/2000	Cho	362/365

6,217,189	B1	*	4/2001	Nassim	362/147
6,452,336	B1	*	9/2002	Dandu	315/56
6,457,848	B1	*	10/2002	Wolf et al.	362/364
D469,211	S	*	1/2003	Homann	D26/118
D474,298	S	*	5/2003	Lecluze	D26/74
D476,108	S	*	6/2003	Lecluze	D26/74
6,588,922	B1	*	7/2003	DeCicco	362/364

(Continued)

Primary Examiner—Cathron C Brooks
Assistant Examiner—Kevin K Rudzinski
(74) *Attorney, Agent, or Firm*—Paul Y. Feng; Fulwider Patton LLP

(57) **CLAIM**

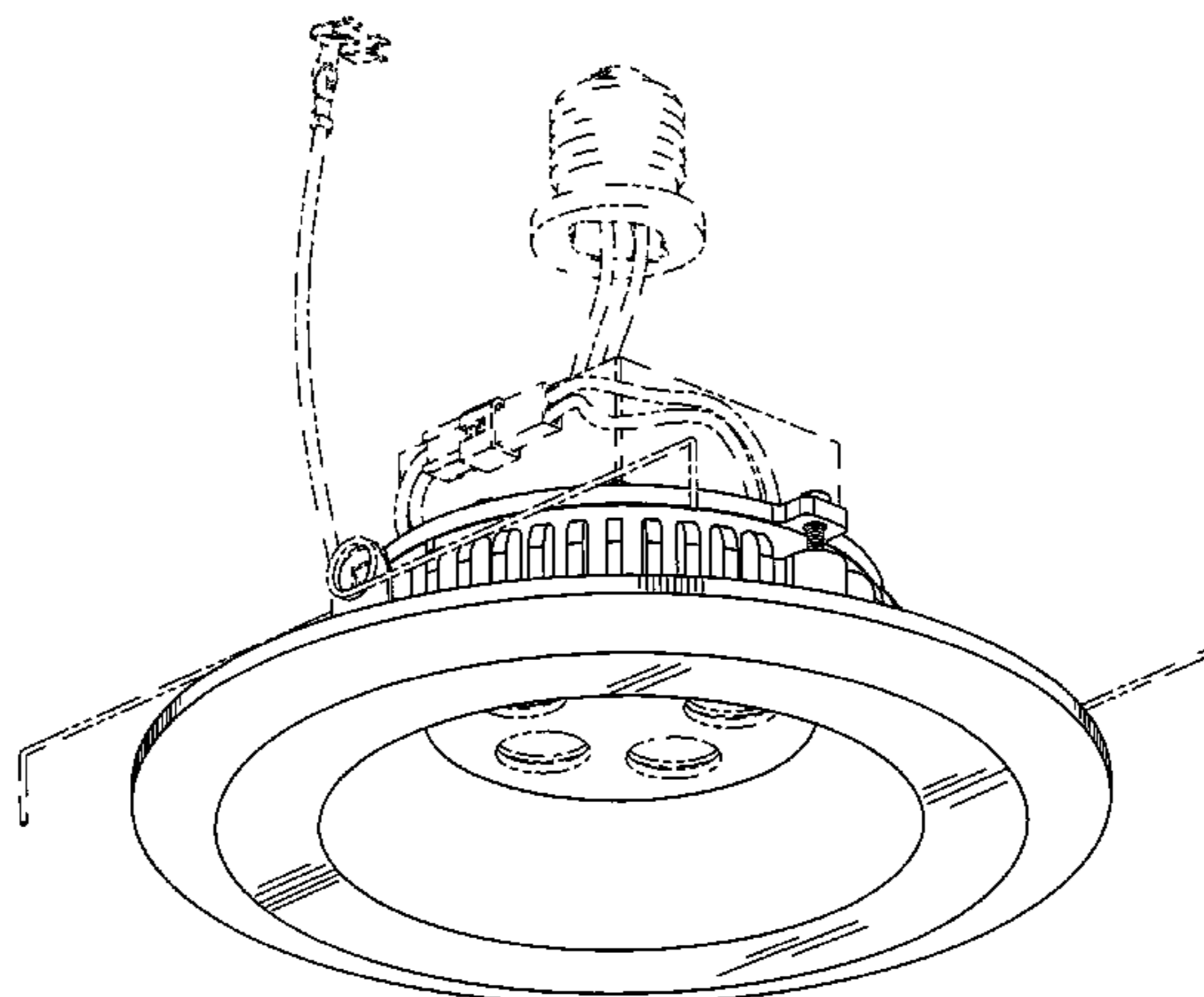
The ornamental design for a recessed baffle trim, as shown and described.

DESCRIPTION

FIG. 1 is a bottom perspective view of one embodiment of a recessed baffle trim showing the new design;
FIG. 2 is a top perspective view of FIG. 1;
FIG. 3 is a side view of FIG. 1;
FIG. 4 is another side view of FIG. 1;
FIG. 5 is a bottom view of FIG. 1;
FIG. 6 is a top view of FIG. 1;
FIG. 7 is a bottom perspective view of a second embodiment of a recessed baffle trim showing the new design;
FIG. 8 is a top perspective view of FIG. 7;
FIG. 9 is a side view of FIG. 7;
FIG. 10 is another side view of FIG. 7;
FIG. 11 is a bottom view of FIG. 7;
FIG. 12 is a top view of FIG. 7;
FIG. 13 is a side view of FIG. 7 with the baffle trim portion in a rotated position; and,
FIG. 14 is a top perspective view of FIG. 7 with the baffle trim portion in a rotated position.

All structures shown in broken lines are for illustrative purposes only and form no part of the claimed design.

1 Claim, 14 Drawing Sheets



US D624,691 S

Page 2

U.S. PATENT DOCUMENTS

D487,816 S *	3/2004	Benghozi	D26/118	D548,390 S *	8/2007	Lecluze	D26/138
D488,583 S *	4/2004	Benghozi	D26/118	D548,391 S *	8/2007	Lecluze	D26/138
7,025,477 B2 *	4/2006	Blessing et al.	362/364	D571,036 S *	6/2008	Rashidi	D26/118
D538,952 S *	3/2007	Maxik et al.	D26/2	D571,038 S *	6/2008	Chan et al.	D26/152
D544,972 S *	6/2007	Coushaine	D26/37	D581,089 S *	11/2008	St-Hilaire	D26/118
D547,889 S *	7/2007	Huang	D26/28	D595,005 S *	6/2009	Chou	D26/74
				2009/0097262 A1 *	4/2009	Zhang et al.	362/364

* cited by examiner

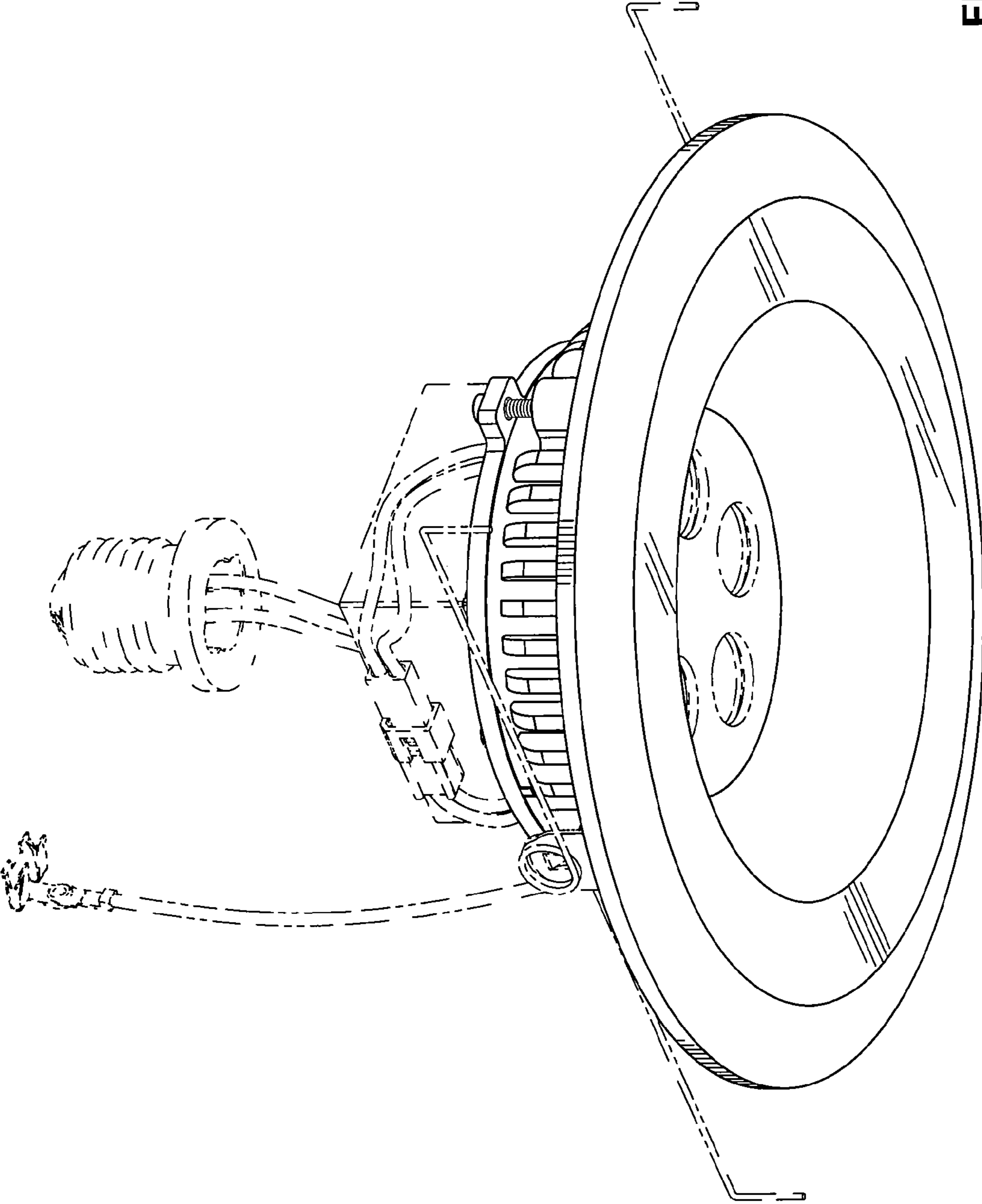


FIG. 1

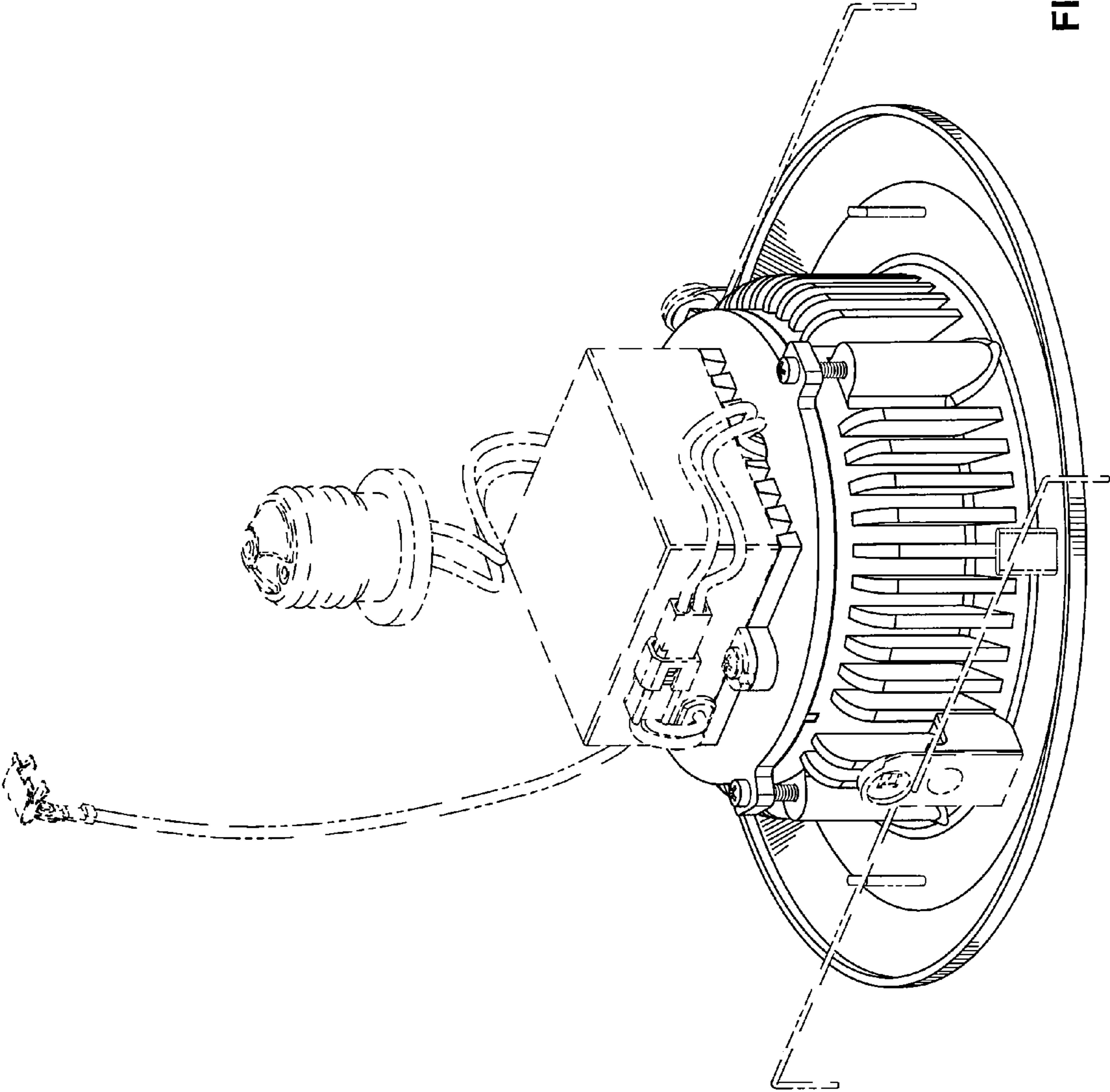


FIG. 2

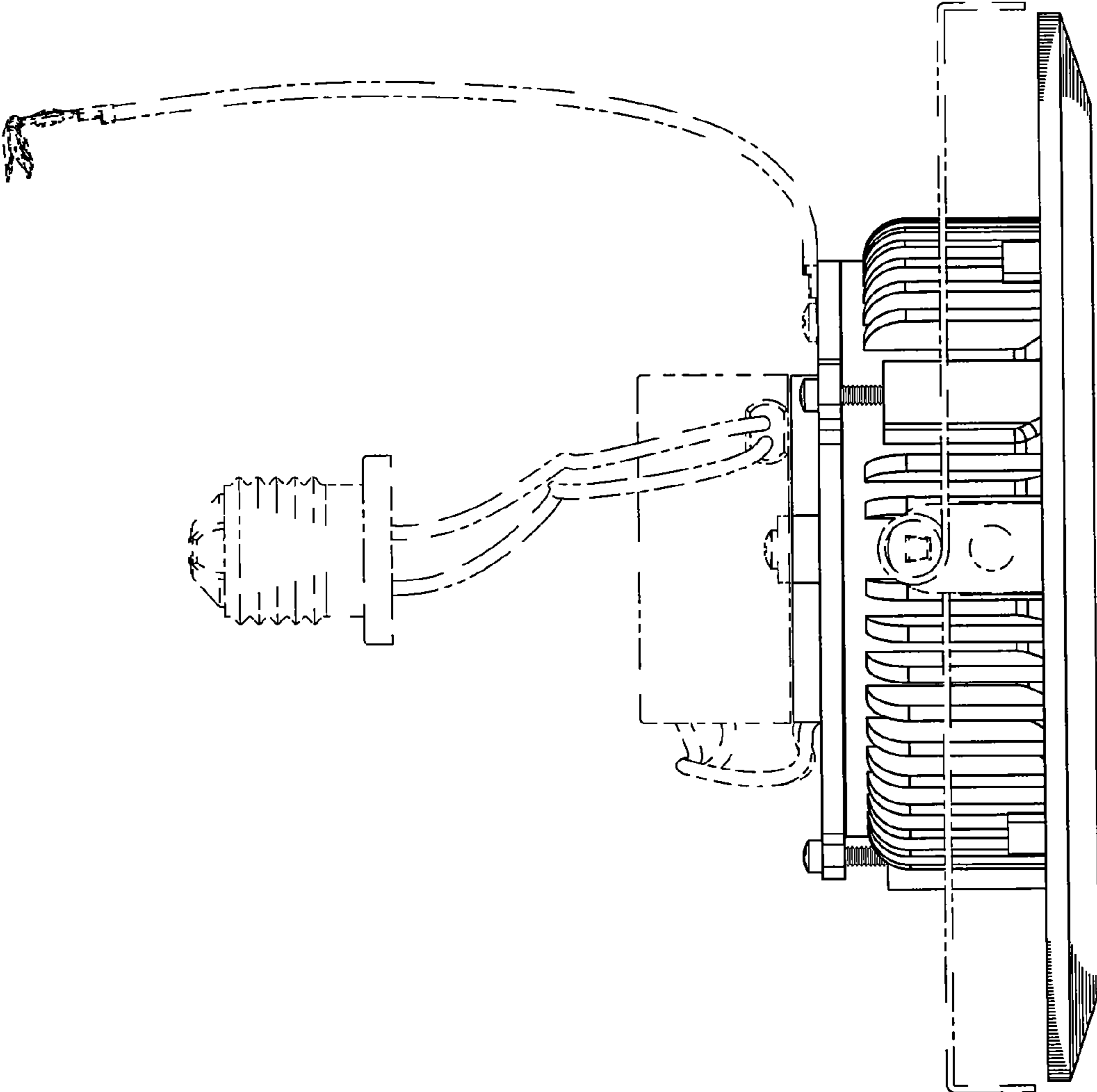


FIG. 3

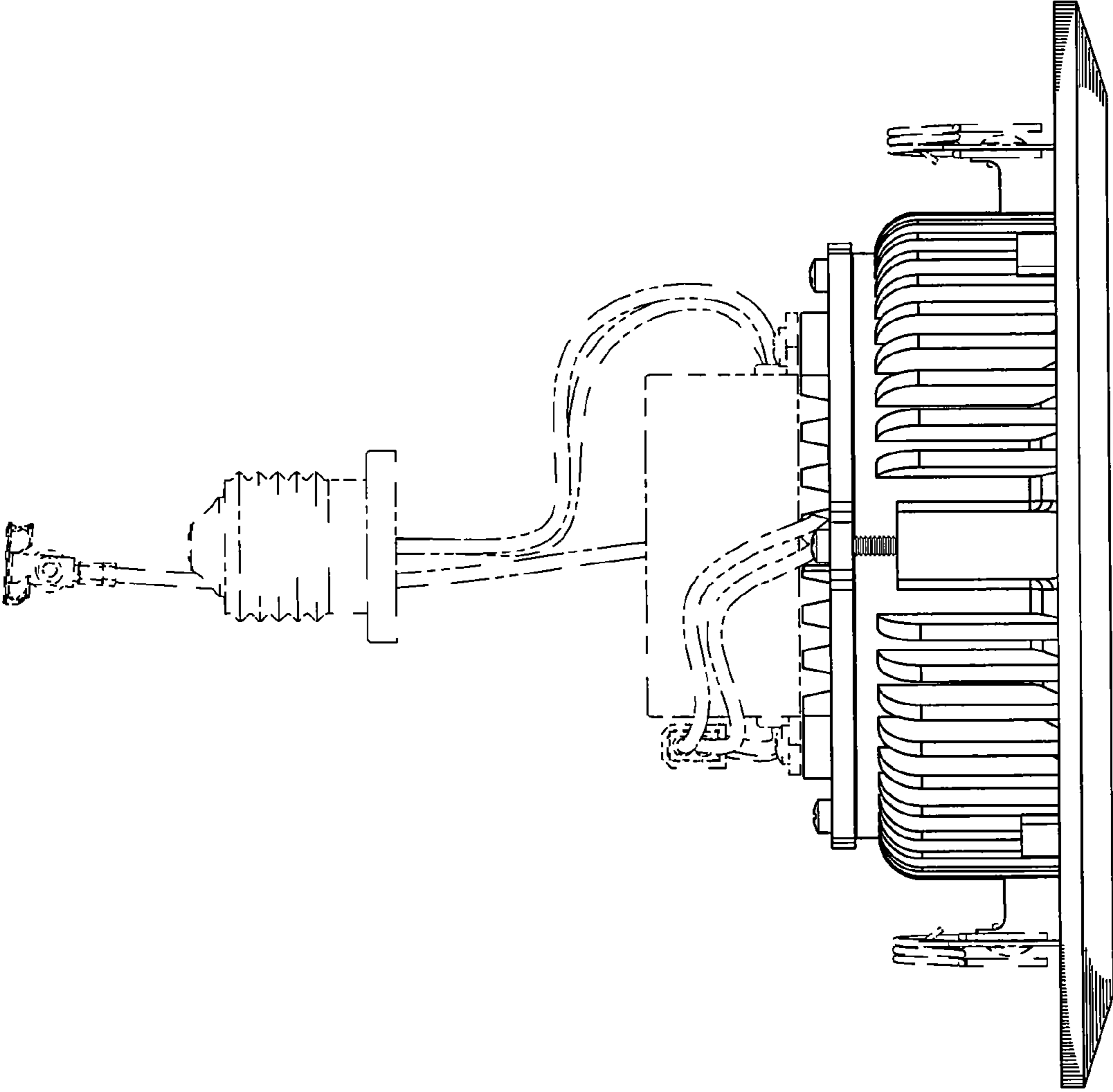


FIG. 4

FIG. 5

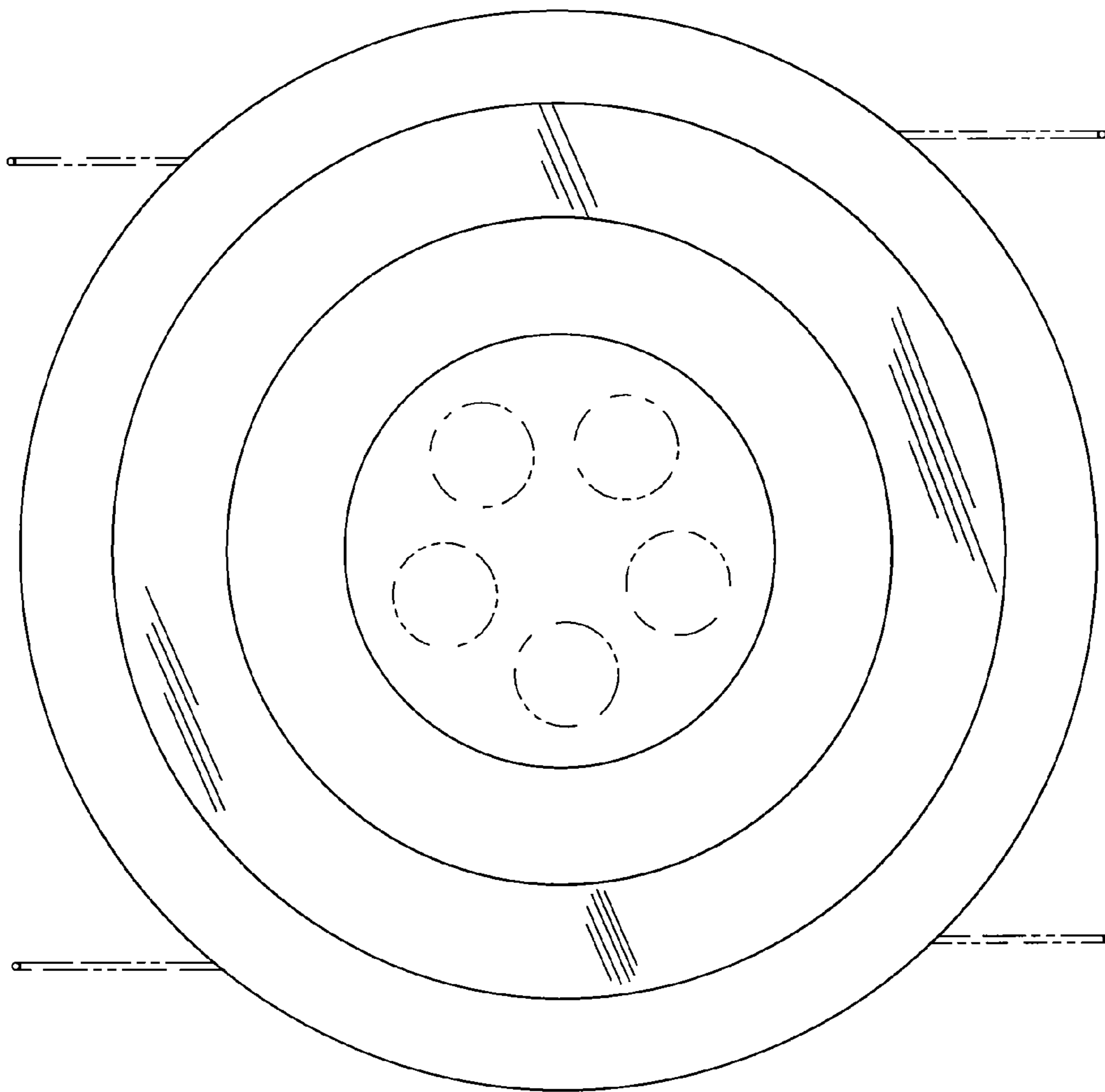
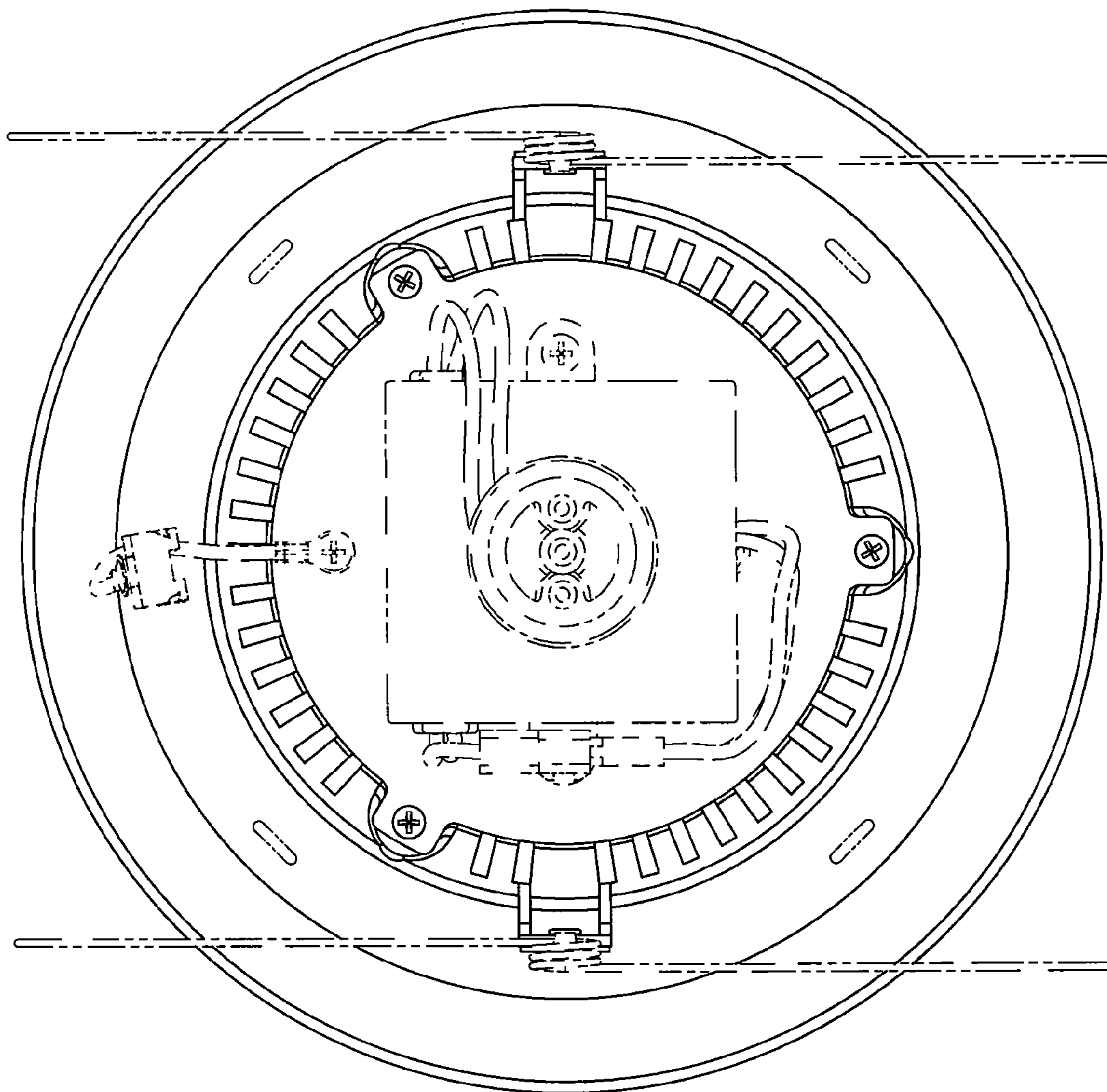


FIG. 6



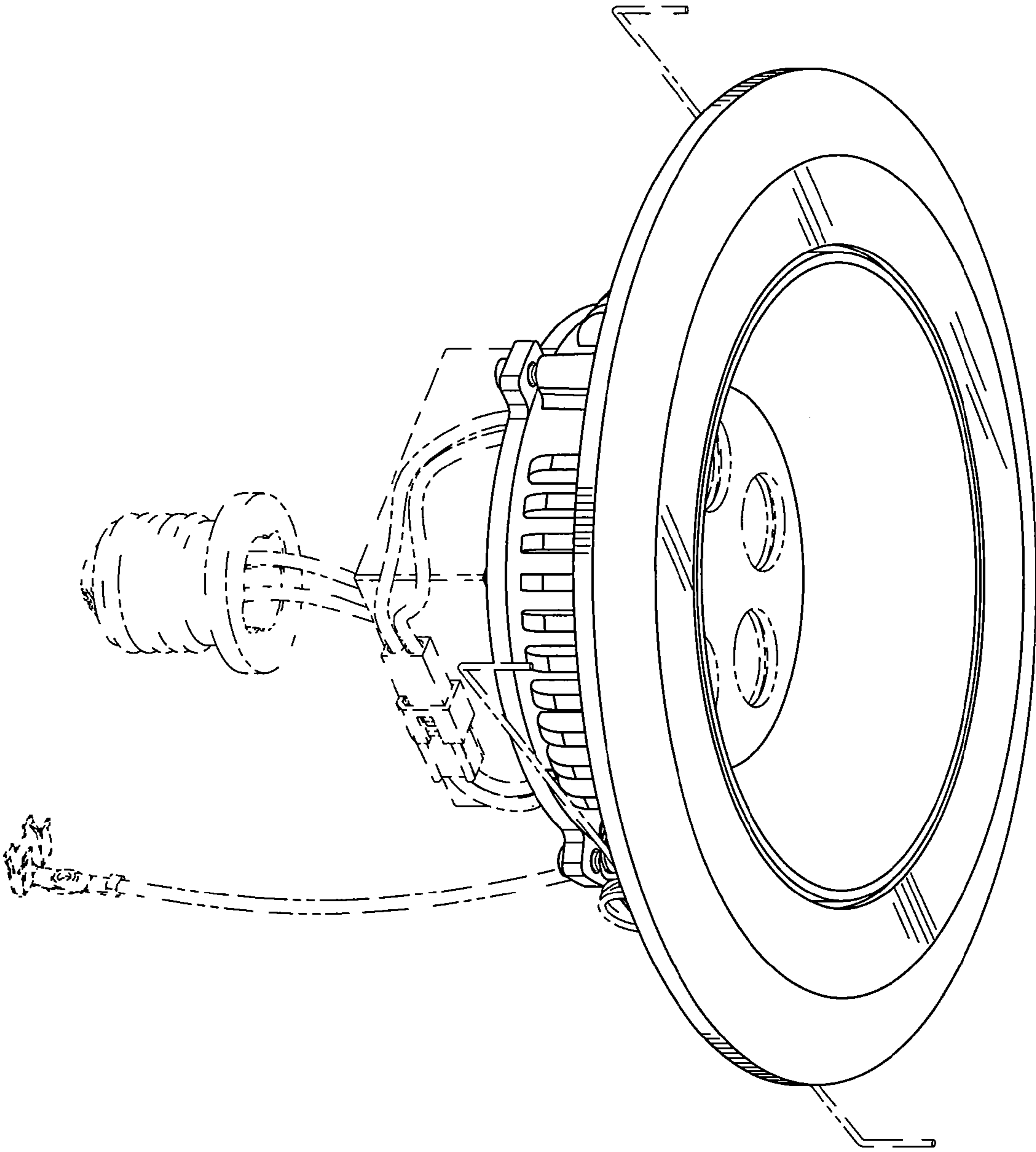


FIG. 7

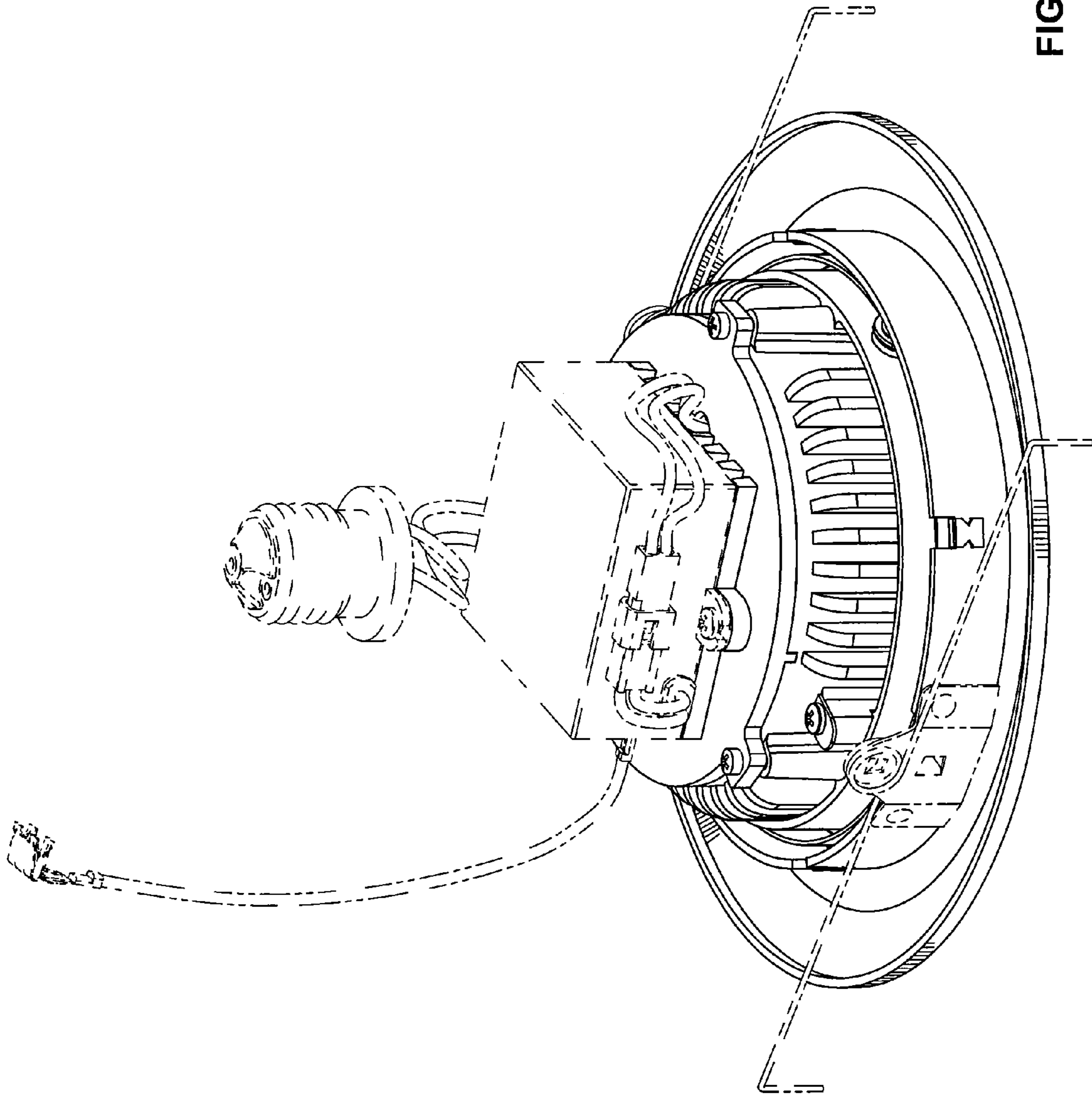


FIG. 8

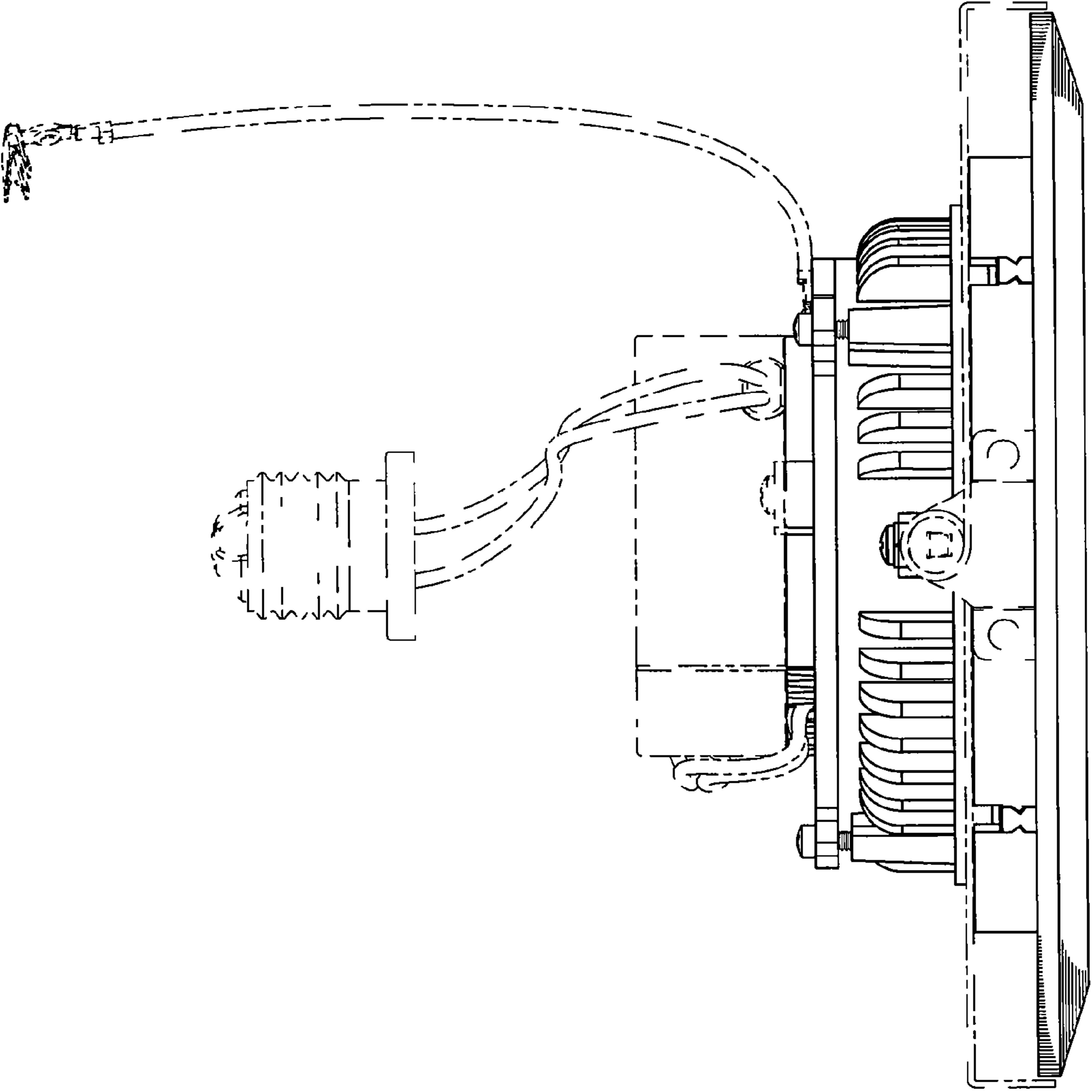


FIG. 9

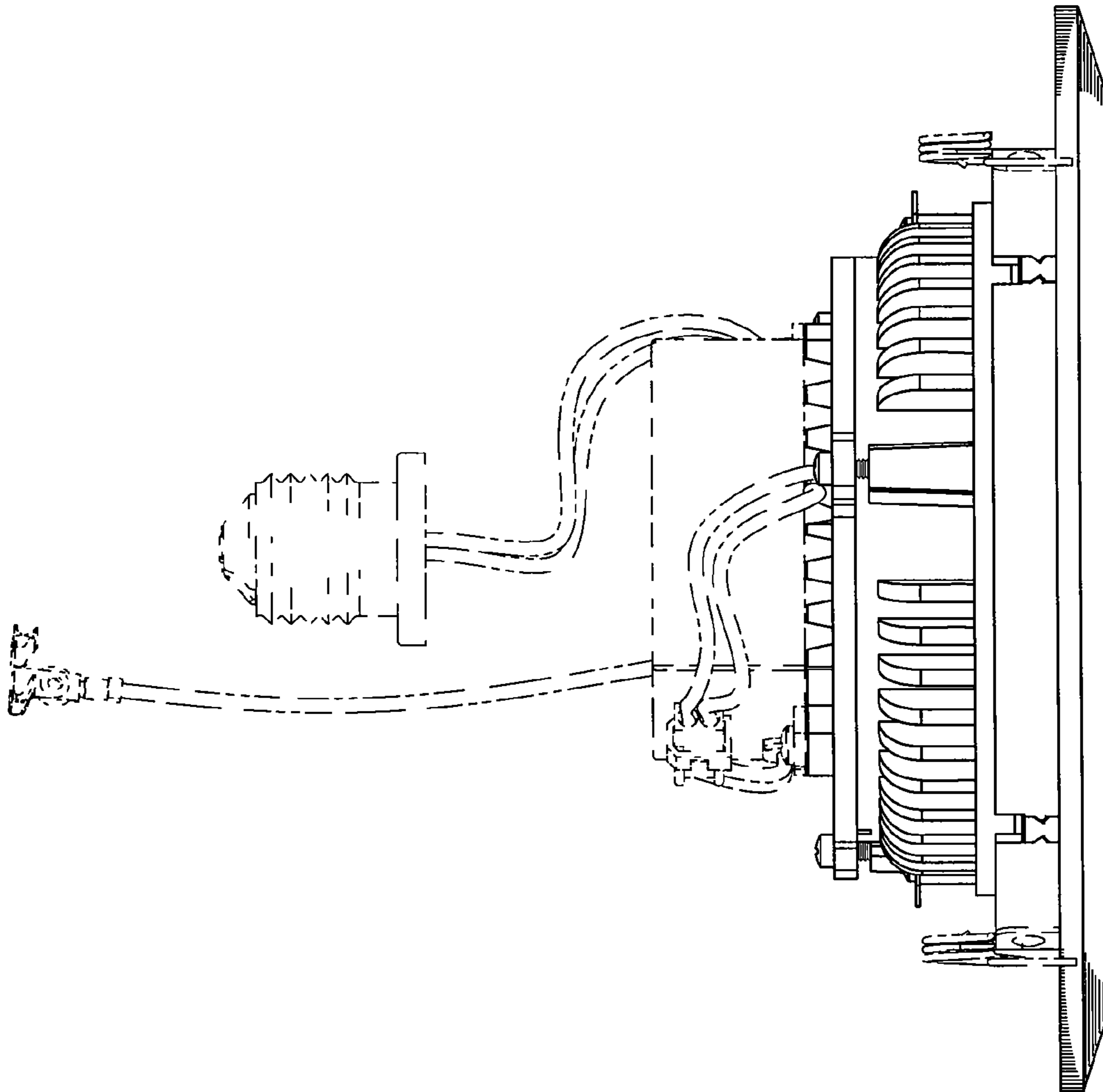


FIG. 10

FIG. 11

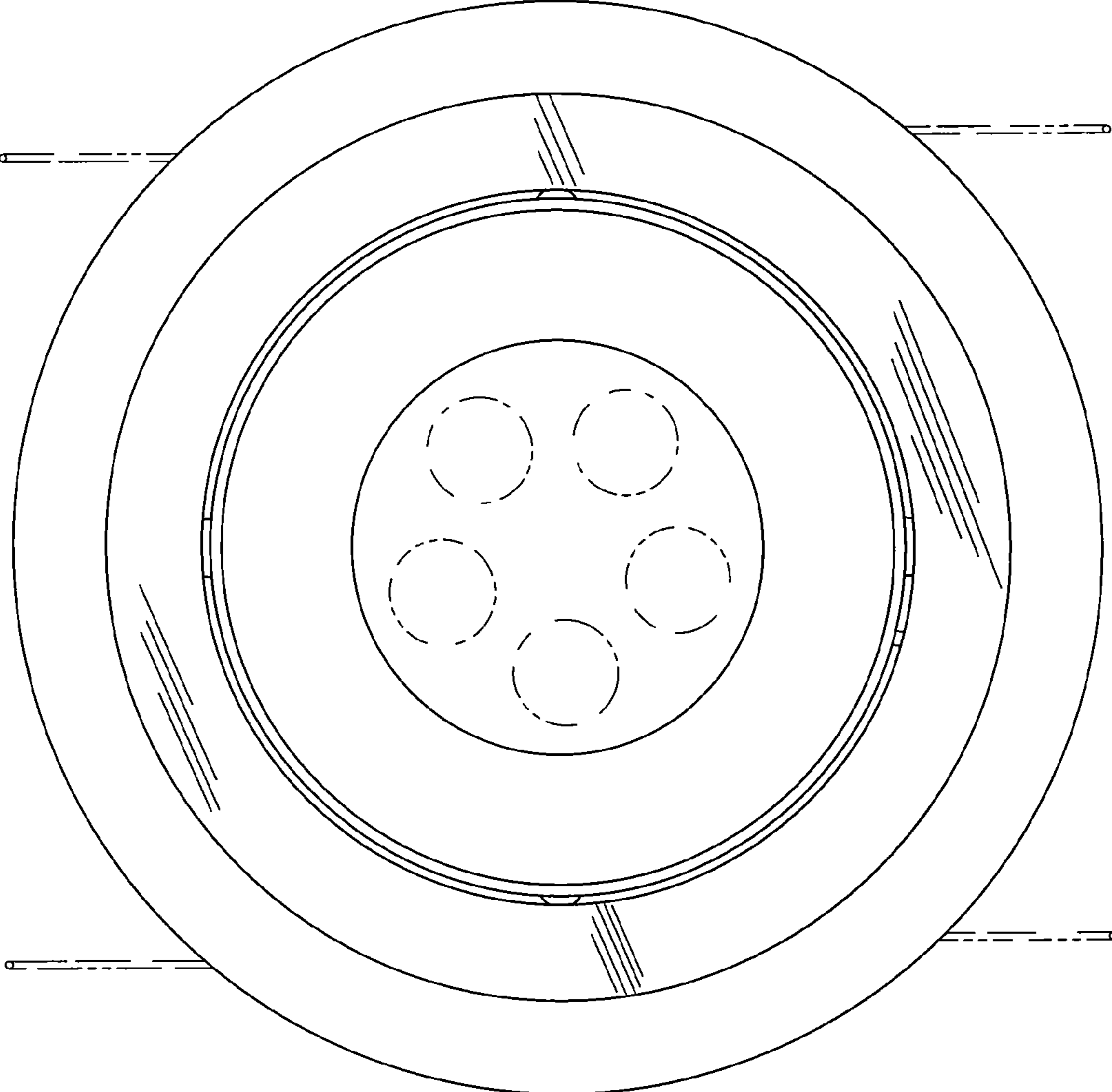
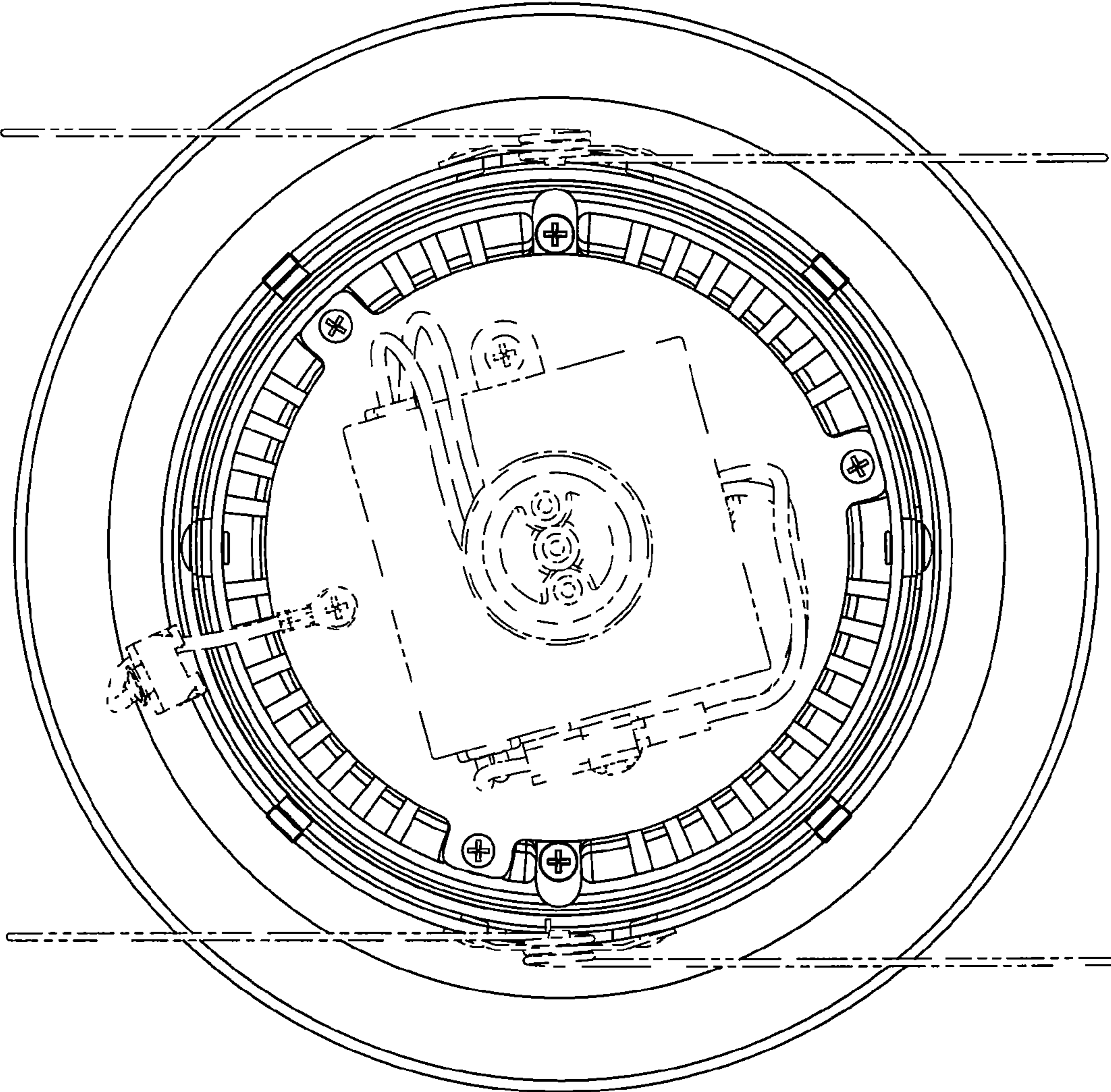


FIG. 12



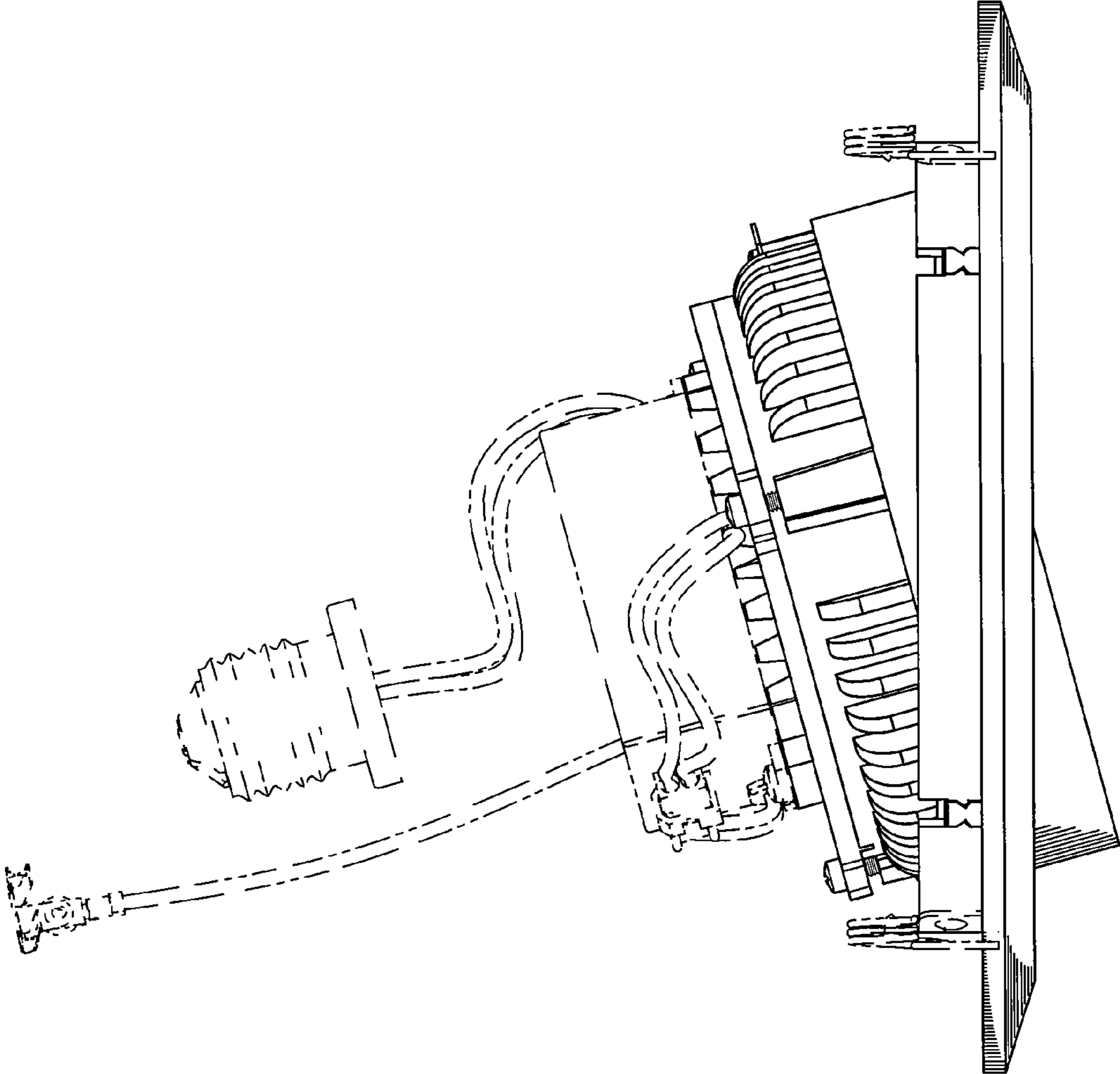


FIG. 13

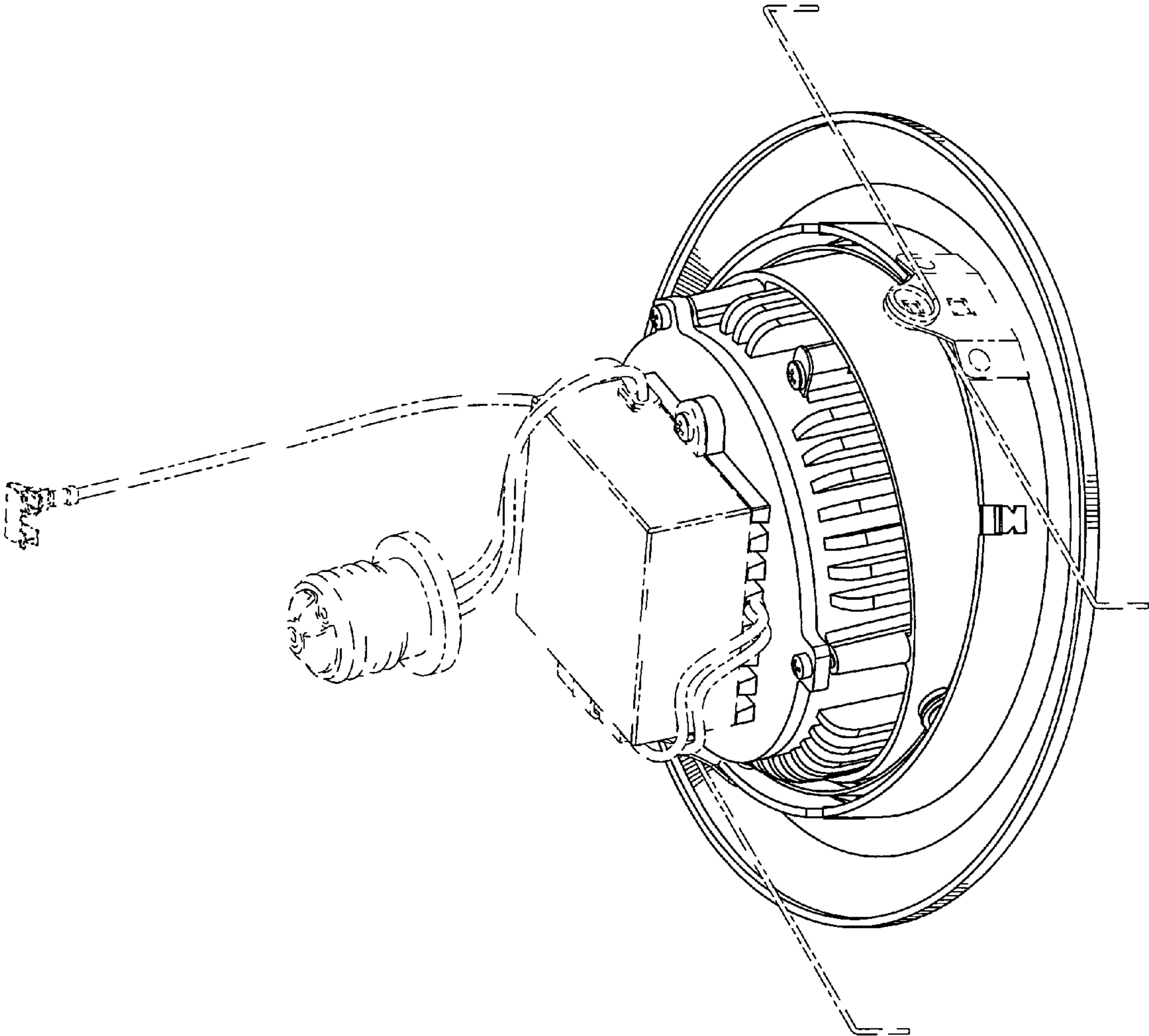


FIG. 14