



US00D624690S

(12) **United States Design Patent**  
**Thompson et al.**

(10) **Patent No.:** **US D624,690 S**

(45) **Date of Patent:** **\*\* Sep. 28, 2010**

(54) **STREET LIGHT**

(75) Inventors: **Katie B. Thompson**, River Falls, WI (US); **William A. Tolbert**, Woodbury, MN (US)

(73) Assignee: **3M Innovative Properties Company**, Saint Paul, MN (US)

(\*\*) Term: **14 Years**

(21) Appl. No.: **29/355,411**

(22) Filed: **Feb. 8, 2010**

(51) **LOC (9) Cl.** ..... **26-99**

(52) **U.S. Cl.** ..... **D26/118**

(58) **Field of Classification Search** ..... D26/122, D26/76, 52, 84, 85, 87, 67, 68, 69, 154, 155, D26/152, 81, 128, 142, 144, 124, 116, 138, D26/120, 60, 43, 24, 63, 72, 113, 71, 65, D26/118, 61, 78, 51, 2, 119, 130, 140, 141; D25/119, 138, 140; 362/147, 297, 84, 362, 362/376, 33, 240, 241, 294, 138, 153.1, 650, 362/257, 341, 351; D16/135; D5/62; D8/370; 160/332; 52/533; D11/79, 90, 9, 8; 431/289; 433/29, 30; D24/158, 209, 210; D13/134, D13/179, 180; 257/712; 359/809

See application file for complete search history.

(56) **References Cited**

**U.S. PATENT DOCUMENTS**

1,732,250	A *	10/1929	Wehse	63/14.2
D104,383	S *	5/1937	Sibbert	D26/121
D108,644	S *	3/1938	Holmes	D26/121
D111,214	S *	9/1938	Petzold	D26/121
D132,213	S *	4/1942	Miller	D26/3
2,298,556	A *	10/1942	Foss et al.	362/343
2,299,256	A *	10/1942	Schultz	362/217.03
D162,173	S *	2/1951	Julien et al.	D26/86
D163,119	S *	5/1951	Julien et al.	D26/86
D249,385	S *	9/1978	Delphia	D26/121

4,621,310	A *	11/1986	Keating	362/344
D298,059	S *	10/1988	Muller	D26/86
D326,539	S *	5/1992	Ku	D26/138
D335,543	S *	5/1993	Sessions	D26/51
D441,903	S *	5/2001	Gilardi	D26/92
D444,094	S *	6/2001	Boehm	D11/26
D497,322	S *	10/2004	Gruosi-Scheufele	D11/79
D542,696	S *	5/2007	Cilluffo	D11/40
D548,871	S *	8/2007	Almer et al.	D26/85
D580,585	S *	11/2008	Otero	D26/88
D583,502	S *	12/2008	Schuler	D26/121
D584,849	S *	1/2009	Otero	D26/88
2009/0103288	A1	4/2009	Boyer et al.	

**OTHER PUBLICATIONS**

STR-LWY-2M-HT BetaLED®, LEDway™ Streetlight—Type II Medium, Rev. Date Jan. 1-Jan. 15, 2010, 2 pages.

Streetworks™, Cooper Lighting, Feb. 19, 2010, 2 pages.

Leotek, SLN Series—Led Outdoor Luminaires, Jun. 2009, 2 pages.

\* cited by examiner

*Primary Examiner*—Ian Simmons

*Assistant Examiner*—Kevin K Rudzinski

(57) **CLAIM**

The ornamental design for a street light, as shown and described.

**DESCRIPTION**

FIG. 1 is a perspective view of the new design for a street light having round-shaped cooling fins for solid state lighting;

FIG. 2 is a right side view thereof, the left side view being a mirror image of the right side view shown;

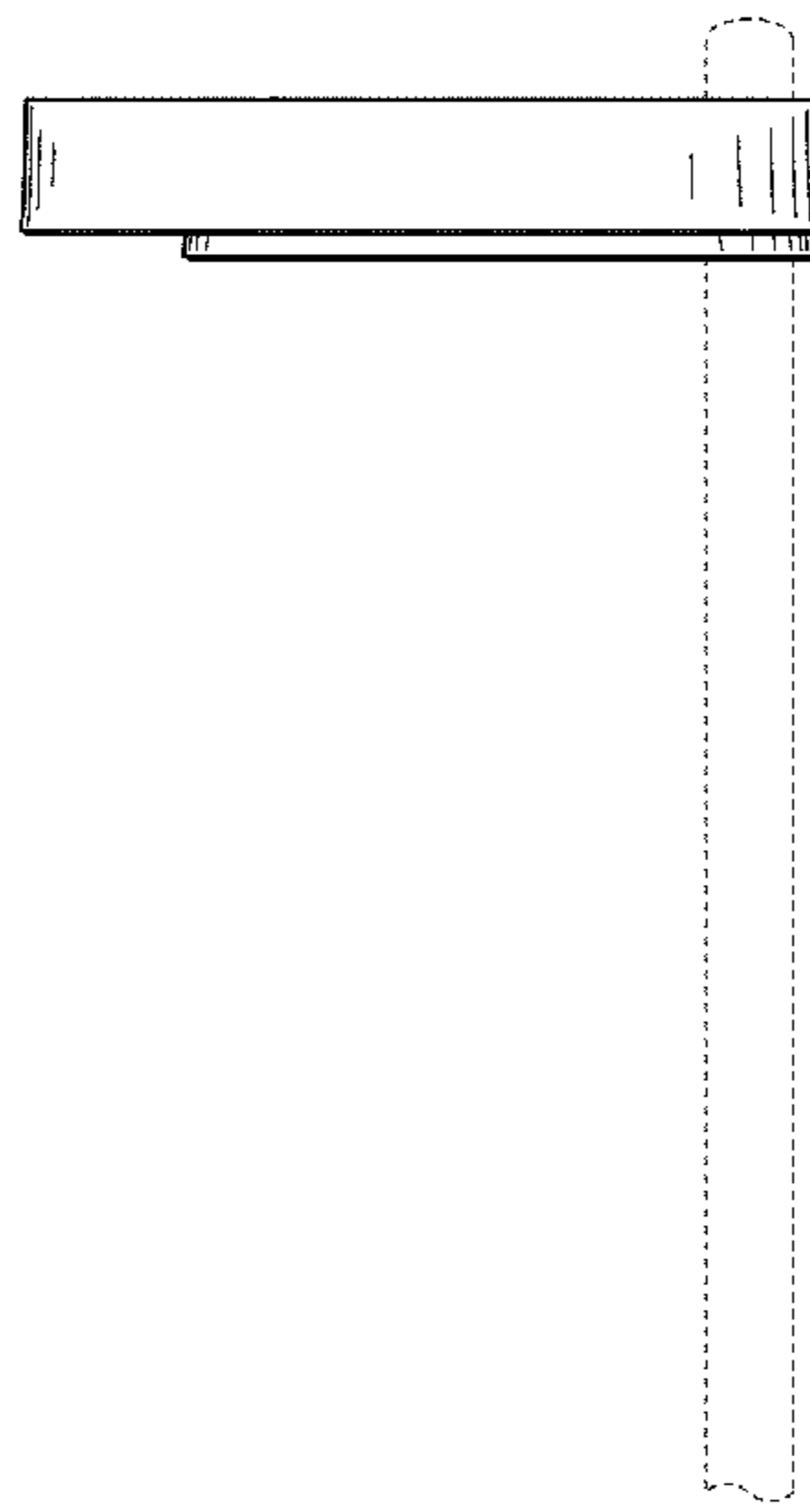
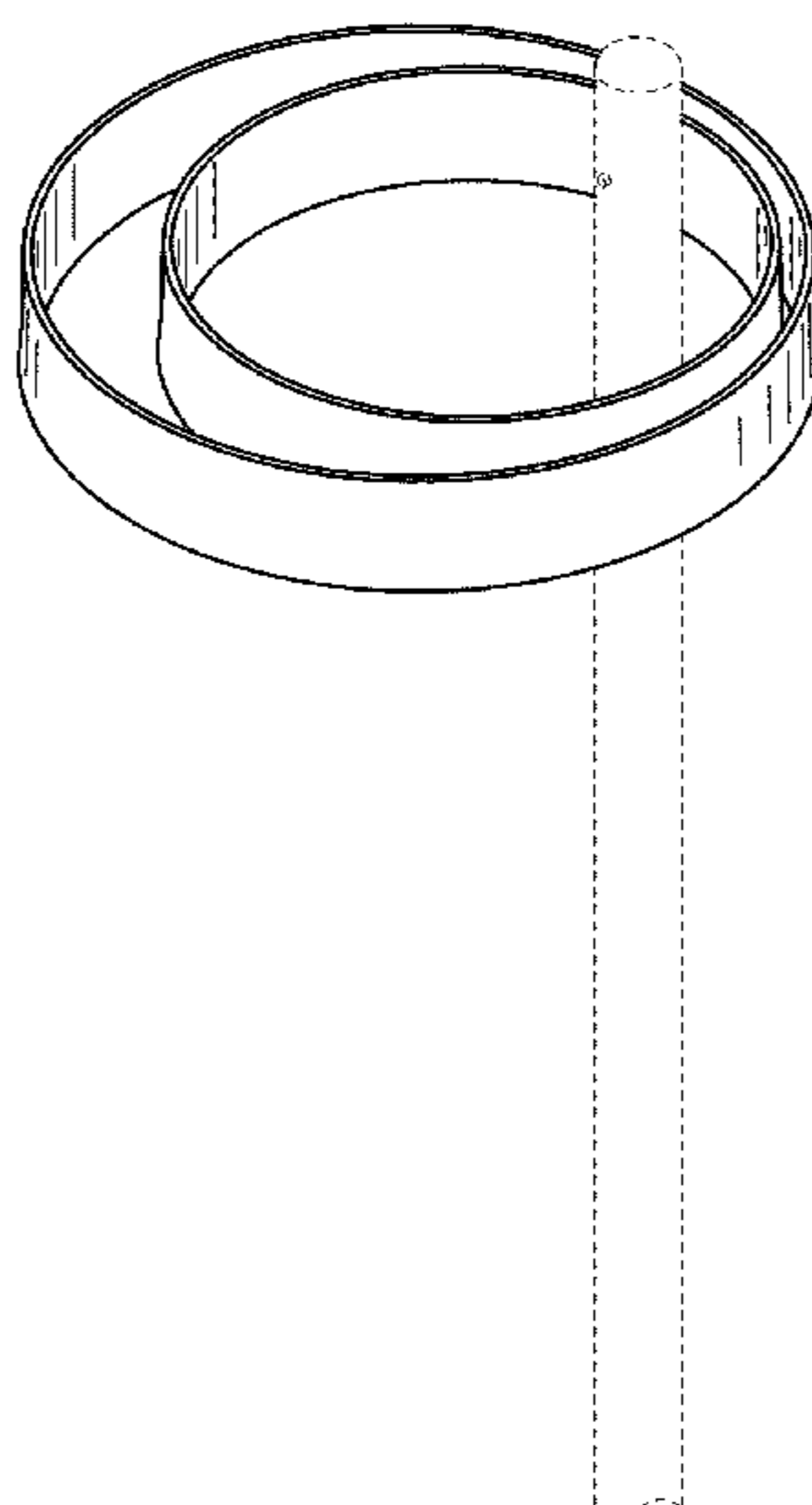
FIG. 3 is a front view thereof, the rear view being a mirror image of the front view shown;

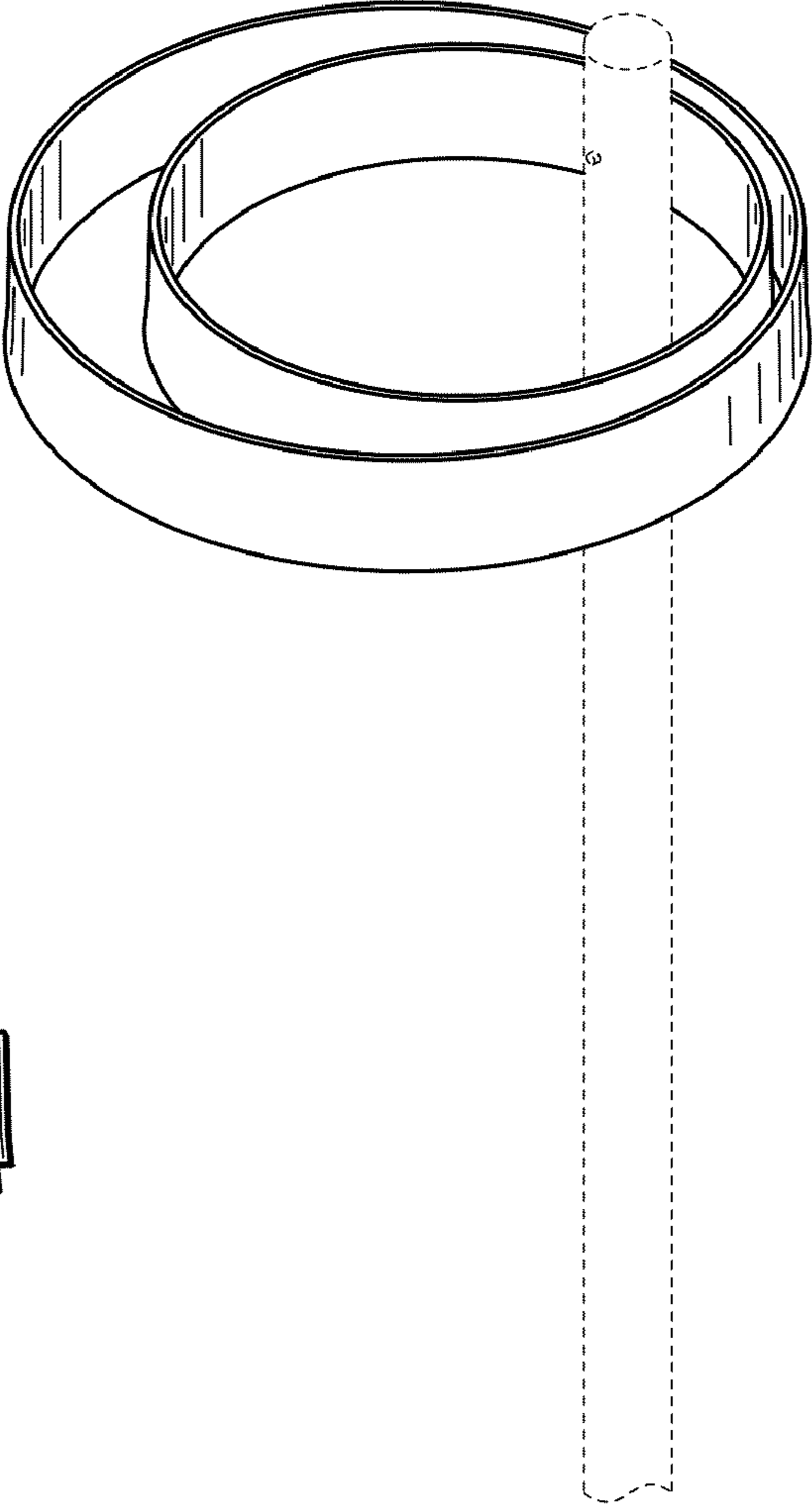
FIG. 4 is a top view thereof; and,

FIG. 5 is a bottom view thereof.

Broken lines are used to show a mounting structure, such as a pole, that forms no part of the claimed design.

**1 Claim, 2 Drawing Sheets**





*FIG. 1*



*FIG. 2*

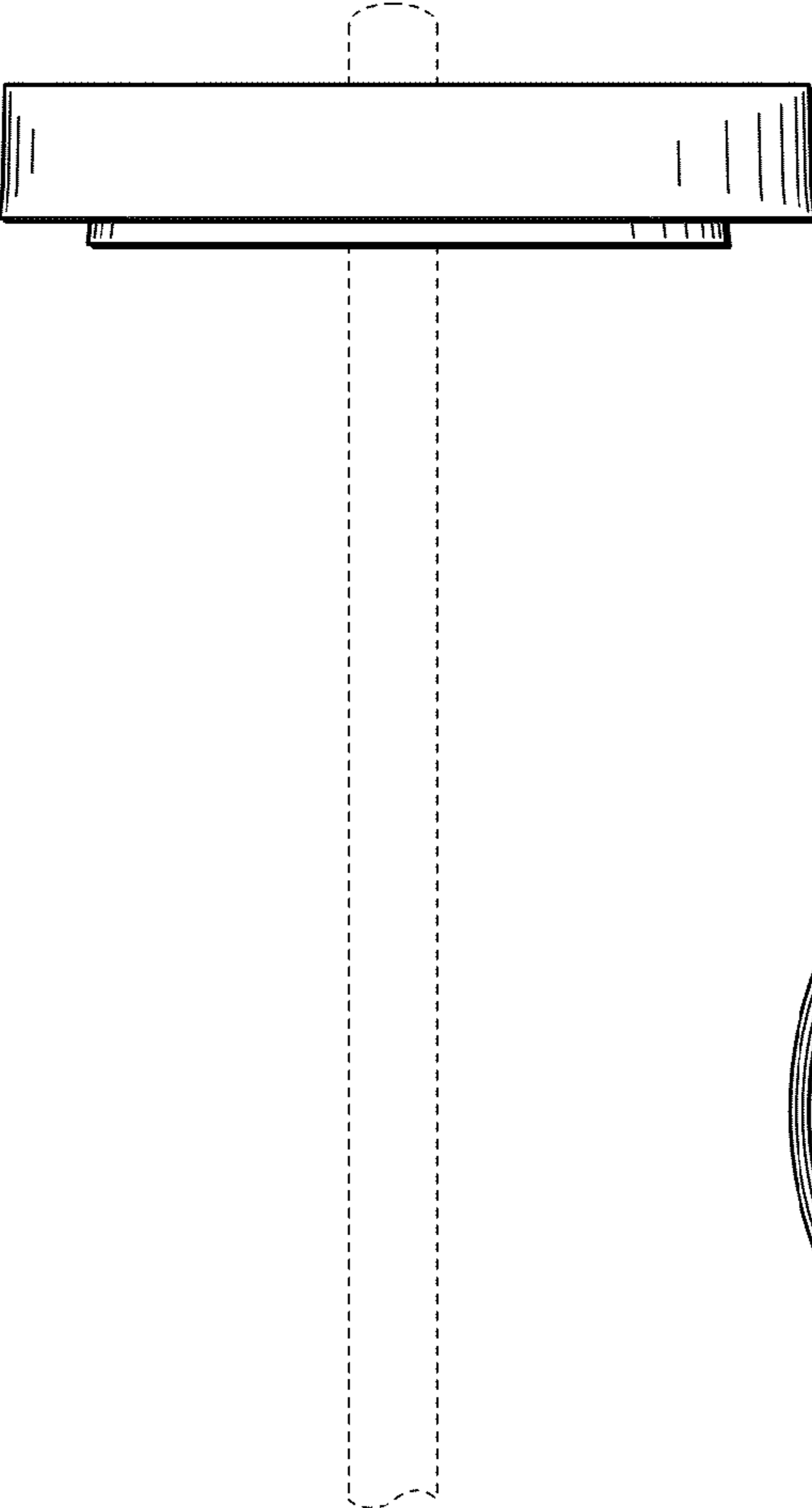


FIG. 3

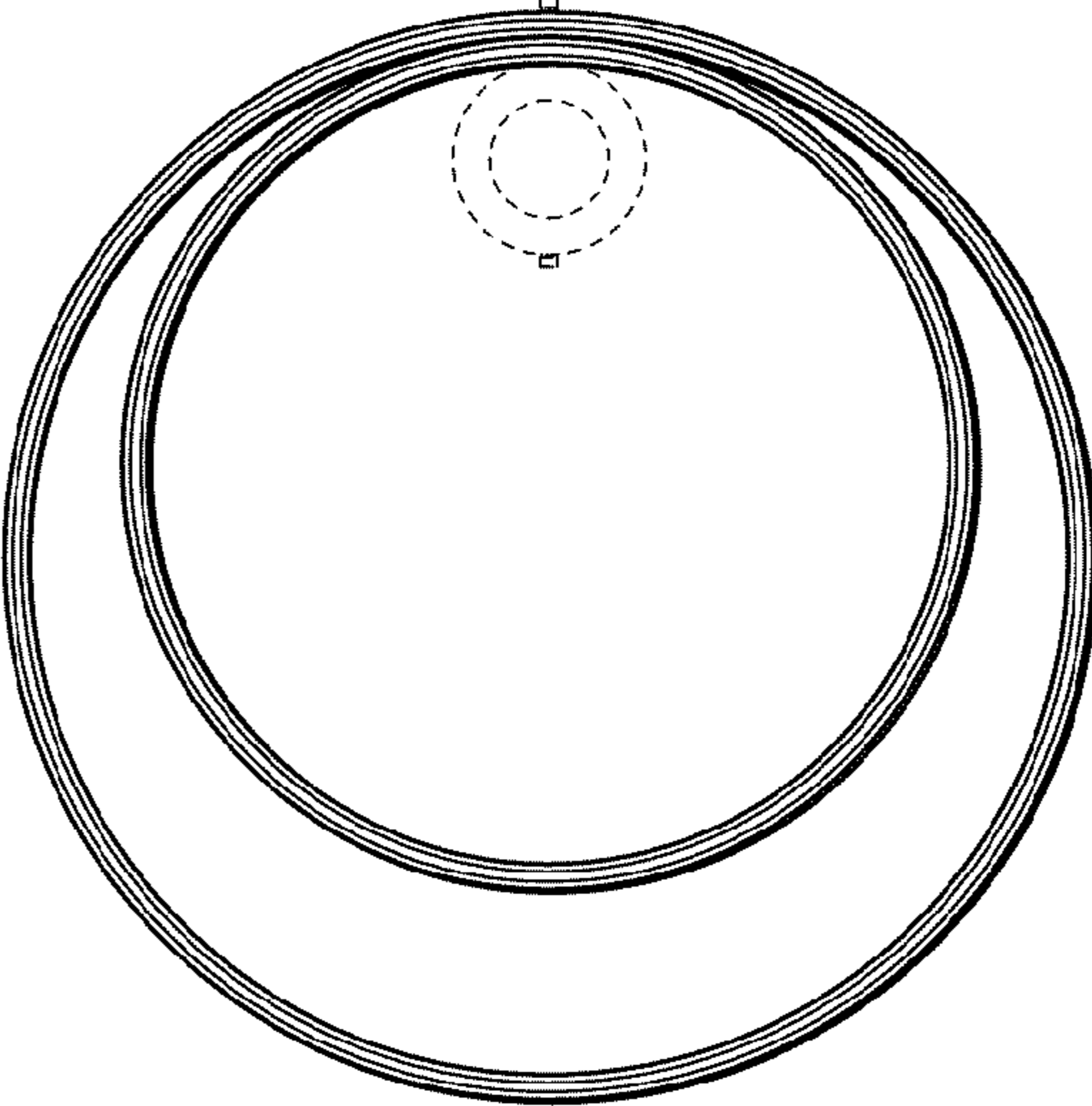


FIG. 4

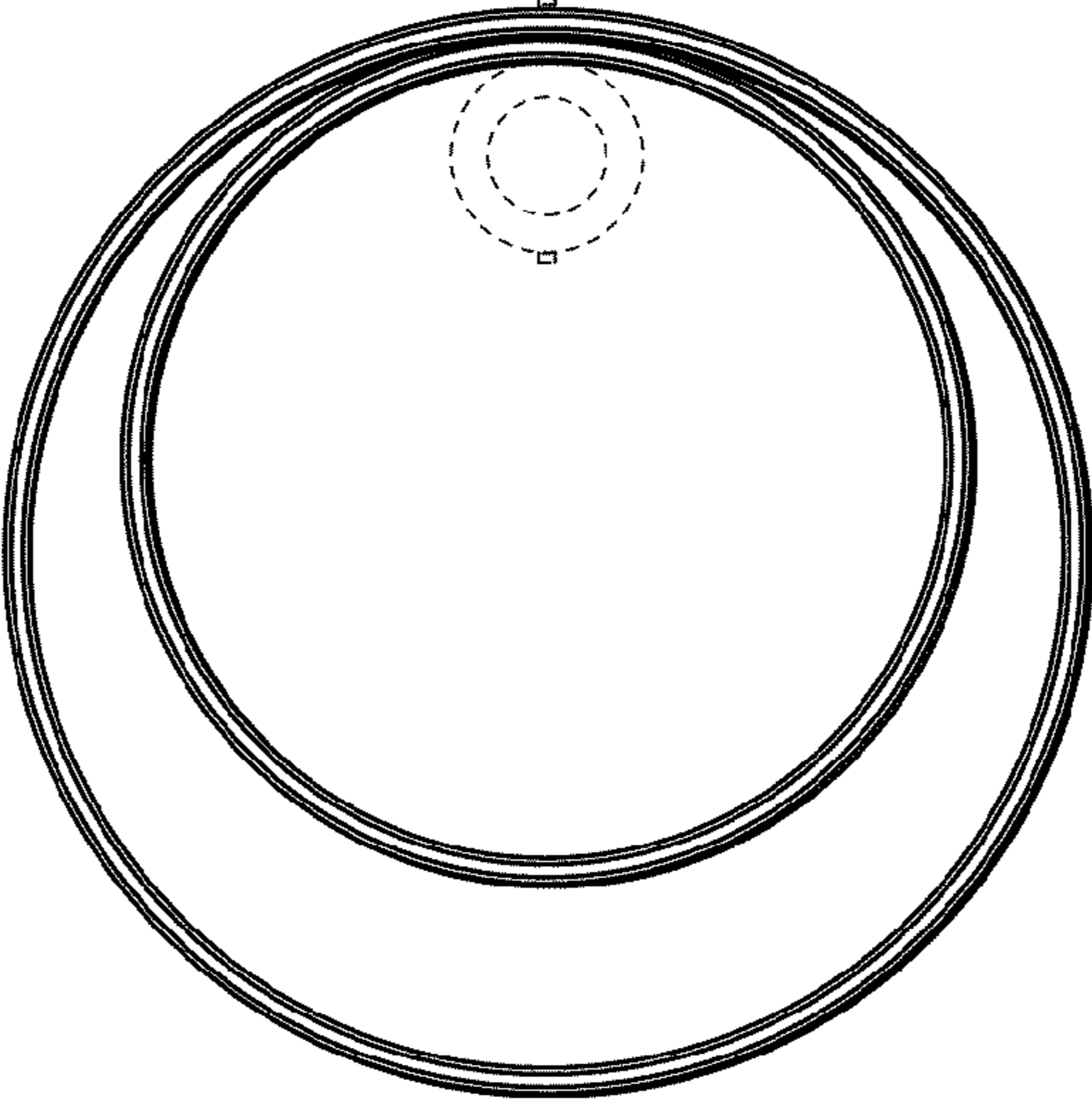


FIG. 5