

US00D624689S

(12) **United States Design Patent**  
**Kao**

(10) **Patent No.:** **US D624,689 S**  
(45) **Date of Patent:** **\*\* Sep. 28, 2010**

(54) **LUMINAIRE**

(57) **CLAIM**

(76) Inventor: **Yu-Che Kao**, 12F-4, No. 666, Sec. 2,  
Wuquan W. Rd., Nantun District,  
Taichung City (TW) 40878

The ornamental design for a luminaire, as shown and described.

(\*\*) Term: **14 Years**

**DESCRIPTION**

(21) Appl. No.: **29/345,860**

(22) Filed: **Oct. 23, 2009**

(51) **LOC (9) Cl.** ..... **26-03**

(52) **U.S. Cl.** ..... **D26/102; D26/69; D26/93**

(58) **Field of Classification Search** ..... D26/1,  
D26/24, 61, 67, 63-64, 69-70, 93-94, 101-10,  
D26/104-110, 113; 362/3, 153, 186, 217,  
362/255, 257, 277, 317, 351, 353, 362, 363,  
362/382, 431, 433, 458, 806

See application file for complete search history.

FIG. 1 is a perspective view of a luminaire showing my new design;

FIG. 2 is a front elevational view thereof;

FIG. 3 is a rear elevational view thereof;

FIG. 4 is a left side view thereof;

FIG. 5 is a right side view thereof;

FIG. 6 is a top plan view thereof;

FIG. 7 is a bottom plan view thereof;

FIG. 8 is a perspective view thereof, with the four arms shown pivoted to an alternate position;

FIG. 9 is an inverted perspective view of FIG. 8;

FIG. 10 is a perspective view thereof, similar to FIG. 8, but with the post portion shown extended vertically to an alternate position;

FIG. 11 is a perspective view thereof, with the four arms shown pivoted to another alternate position; and,

FIG. 12 is a perspective view thereof, with the four arms shown pivoted to yet another alternate position.

(56) **References Cited**

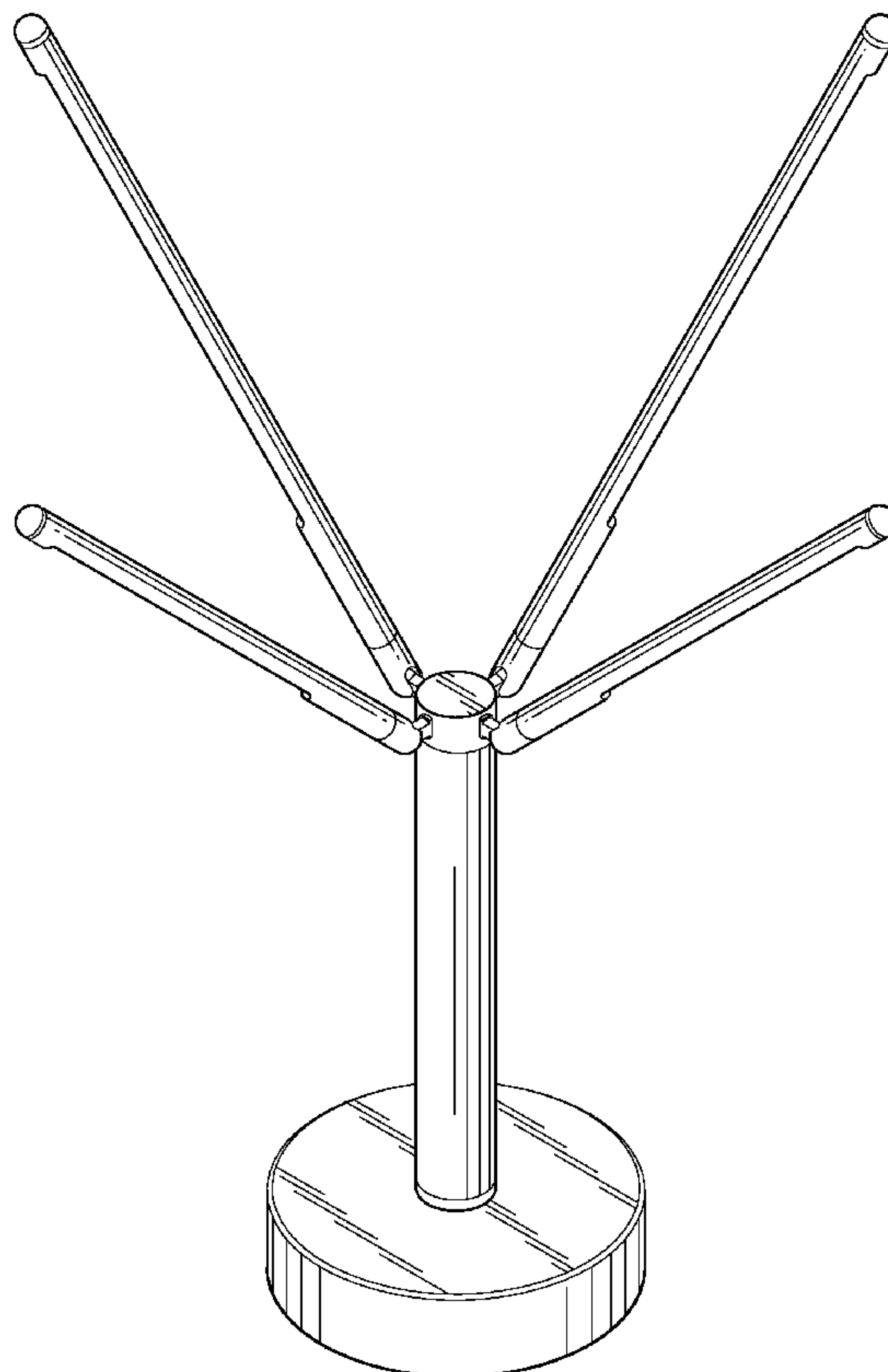
U.S. PATENT DOCUMENTS

D195,310 S *	5/1963	Zagel	.....	D26/70
D202,372 S *	9/1965	Deskey	.....	D26/69
D578,695 S *	10/2008	Zheng et al.	.....	D26/70
D598,156 S *	8/2009	Xiao et al.	.....	D26/69
D616,586 S *	5/2010	Sabernig	.....	D26/63

\* cited by examiner

Primary Examiner—Brian N Vinson

**1 Claim, 12 Drawing Sheets**



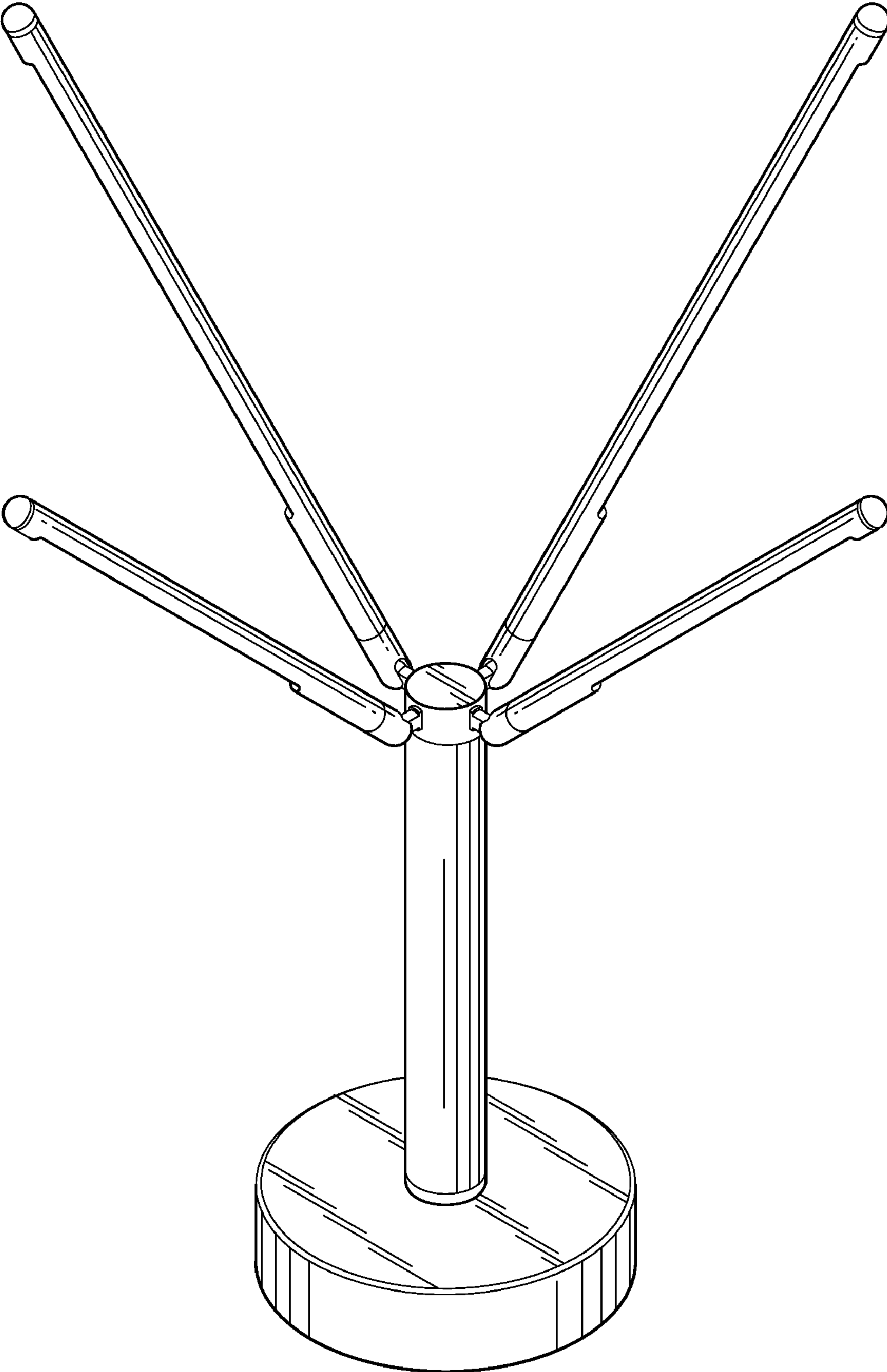


FIG. 1

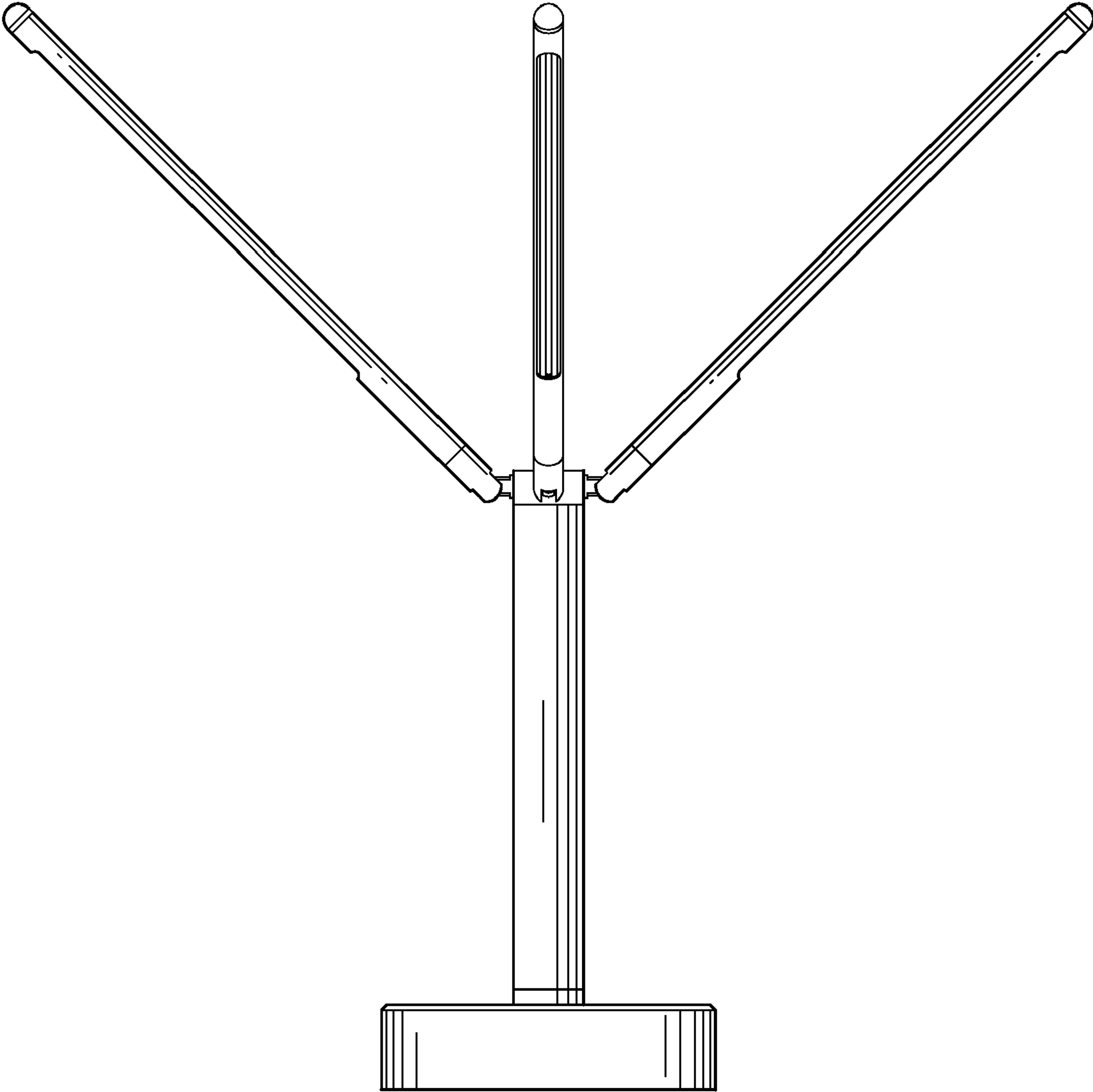


FIG. 2

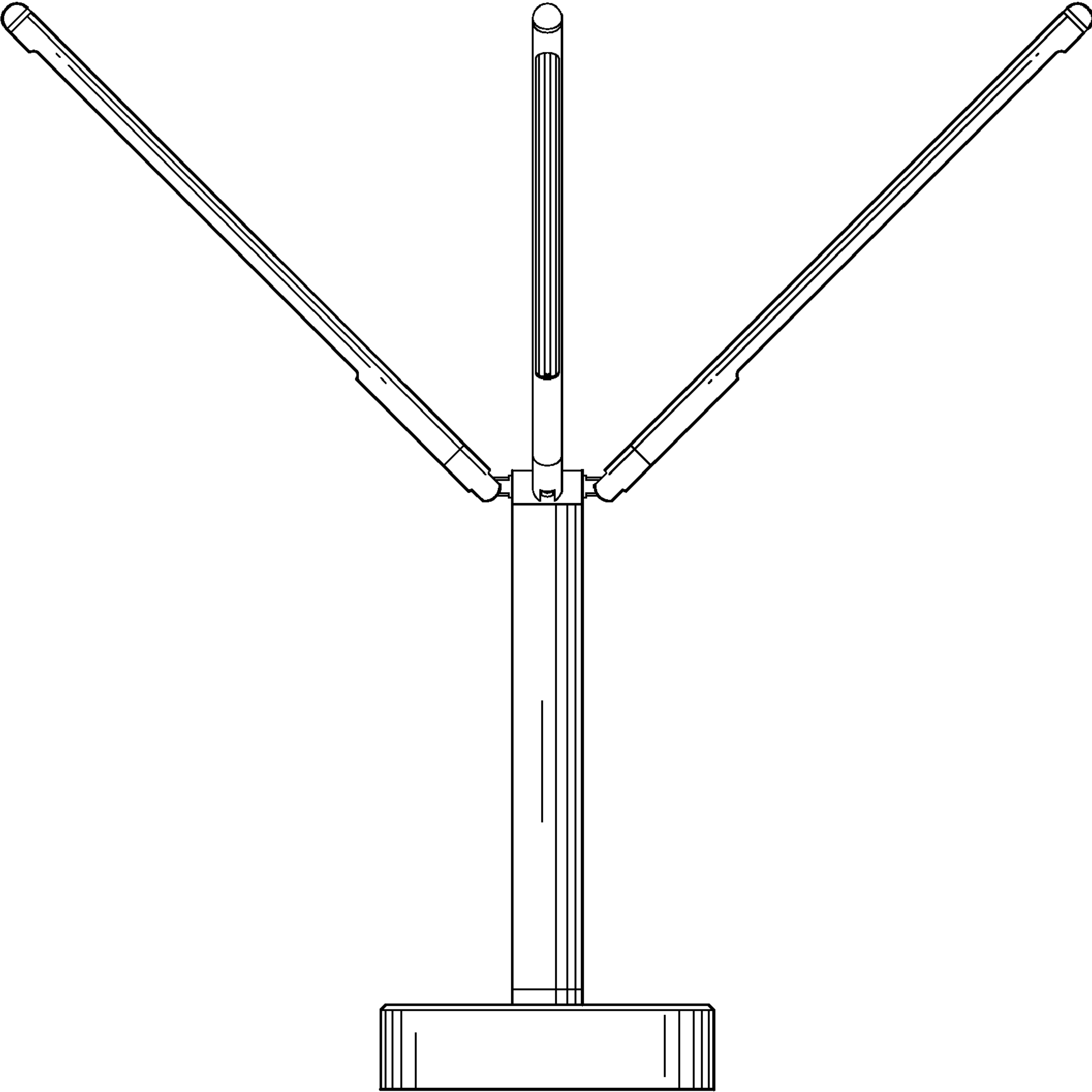


FIG. 3

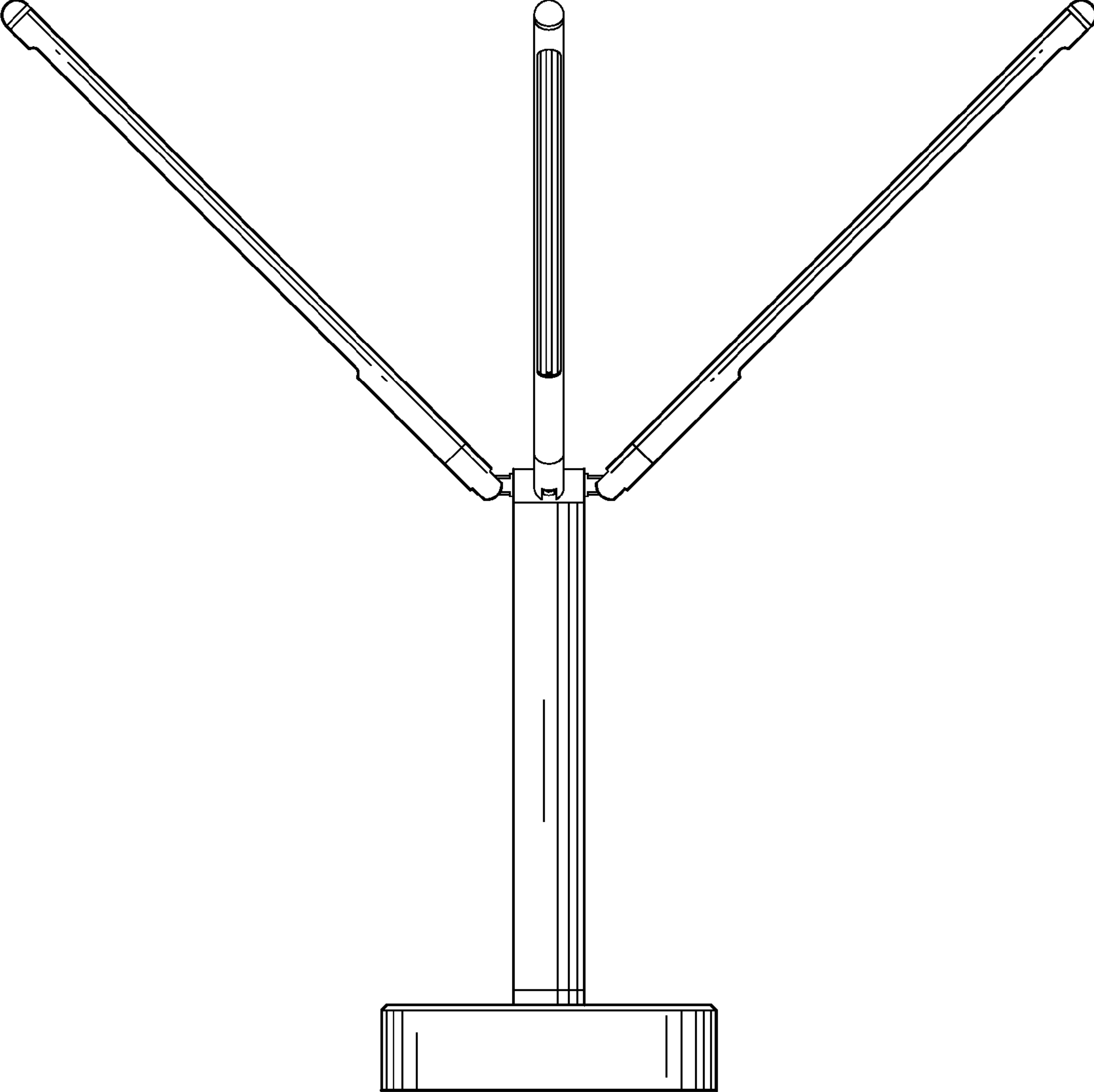


FIG. 4

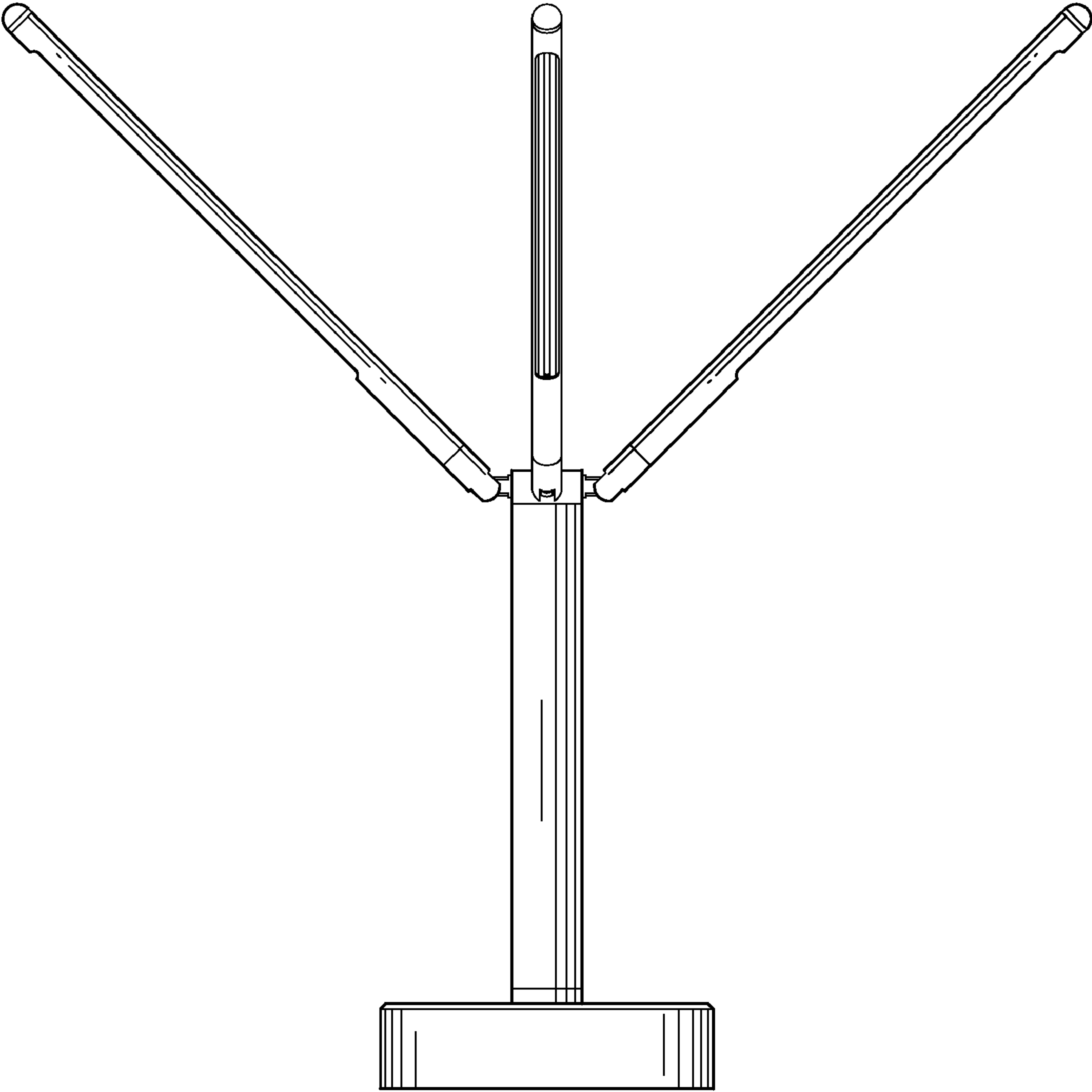


FIG. 5

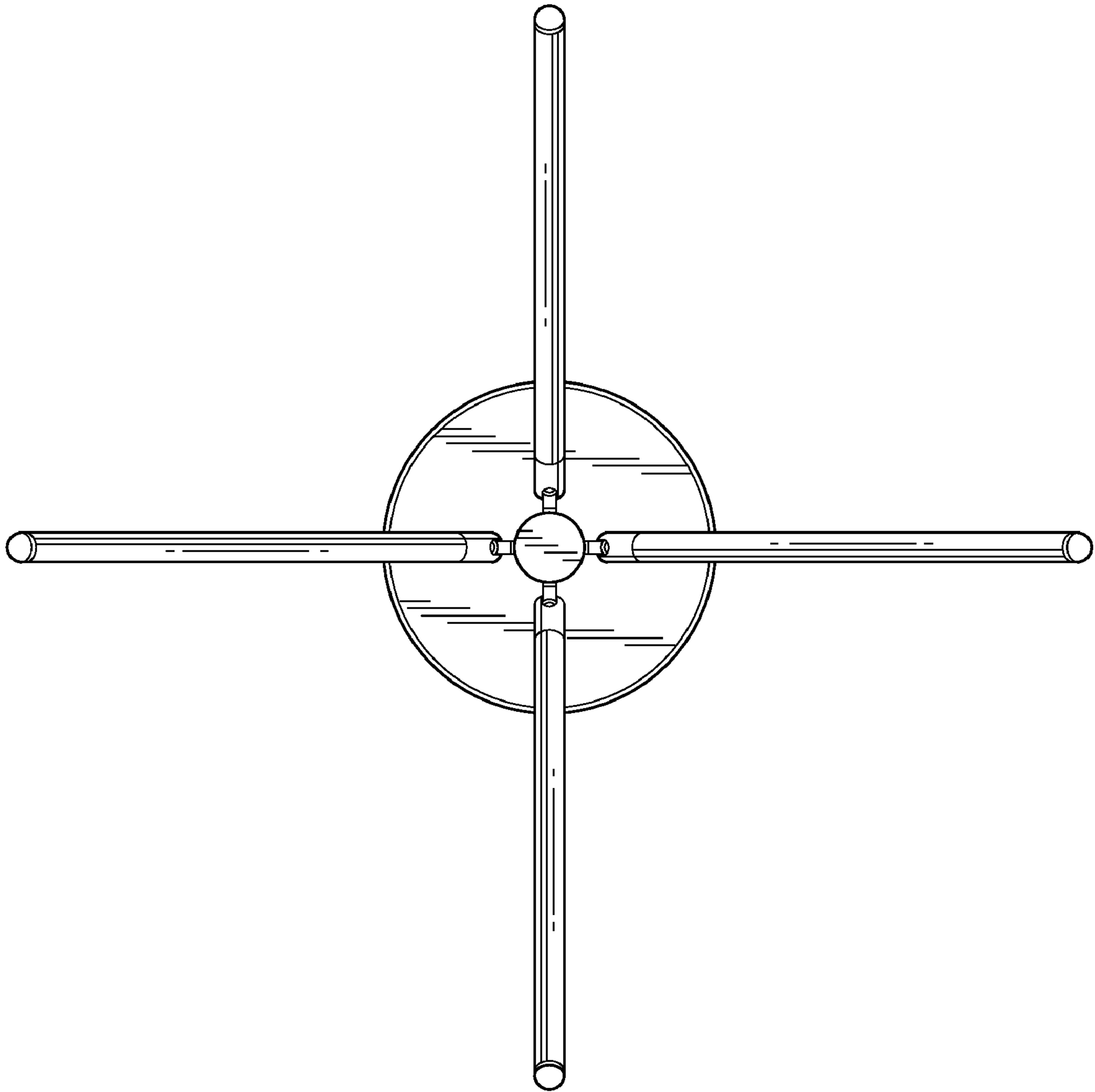


FIG. 6

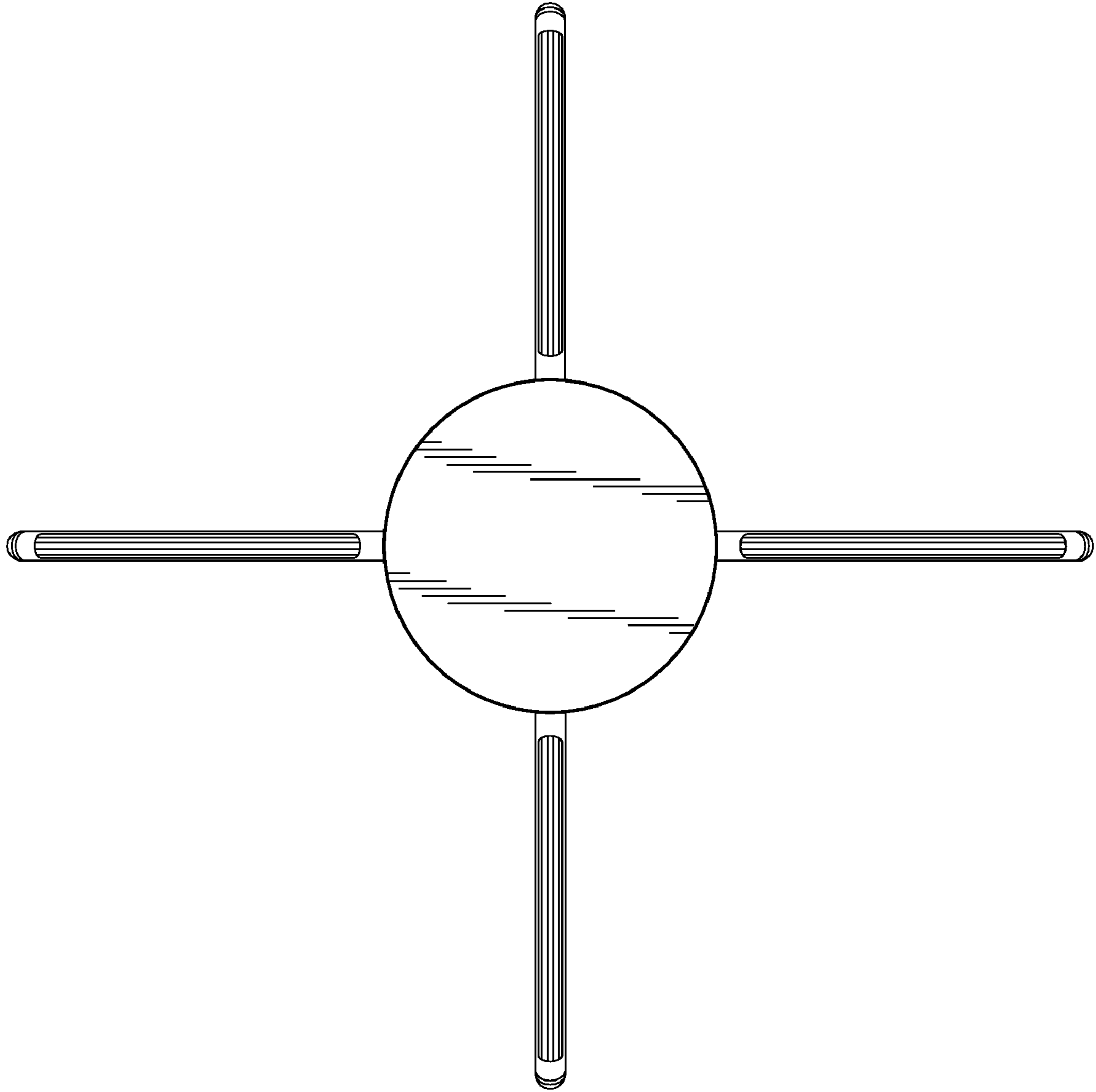


FIG. 7



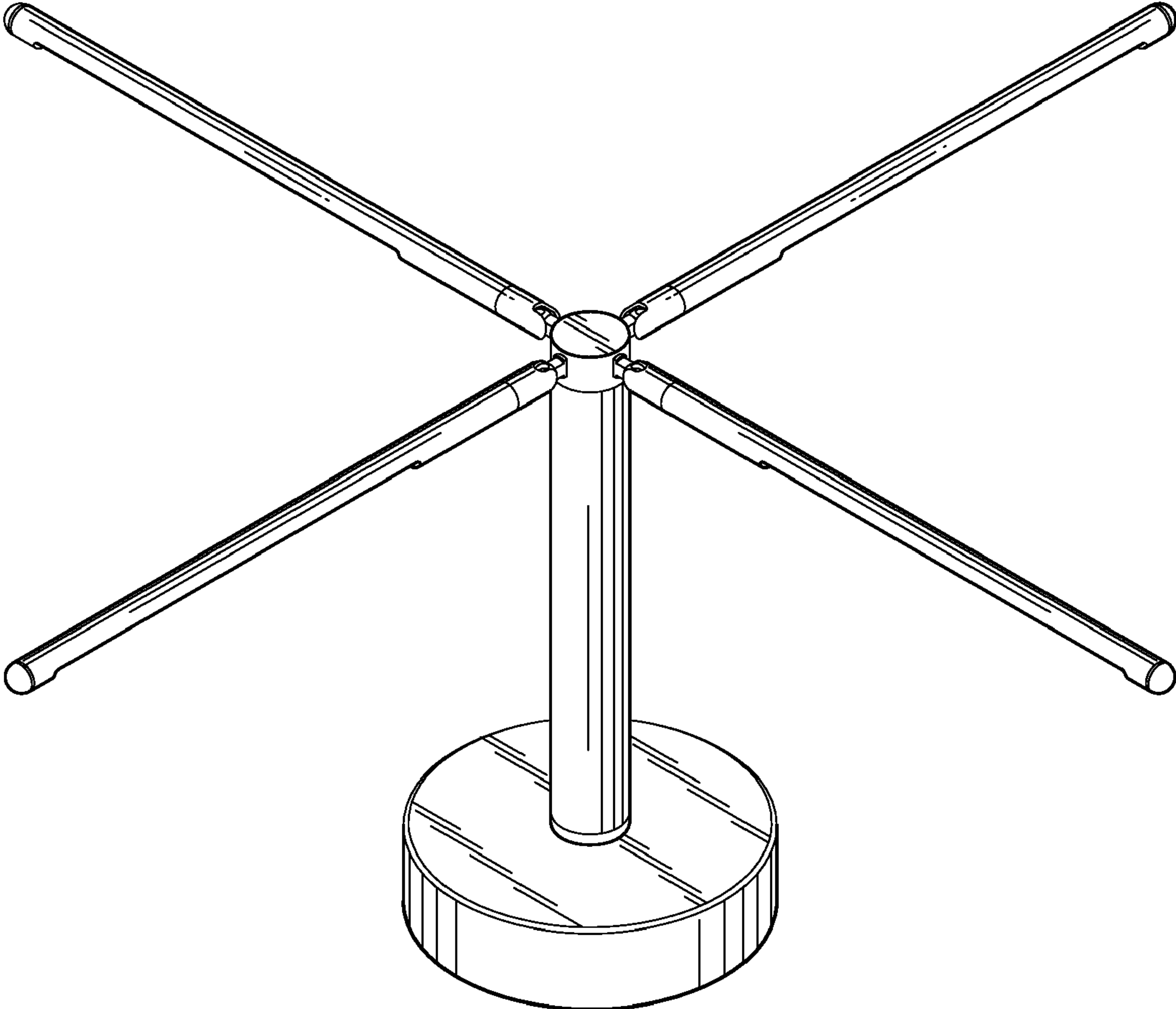


FIG. 8

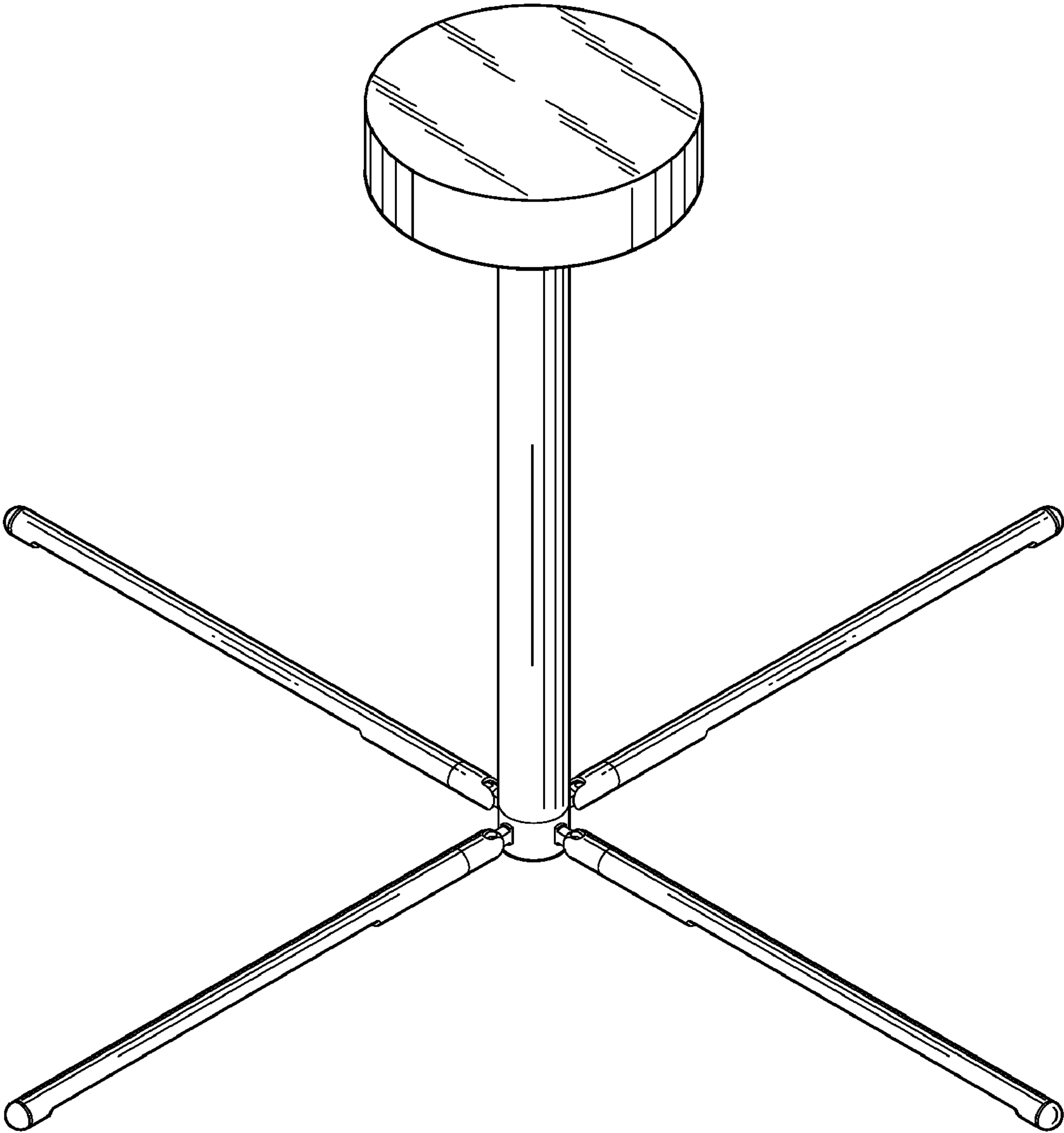


FIG. 9

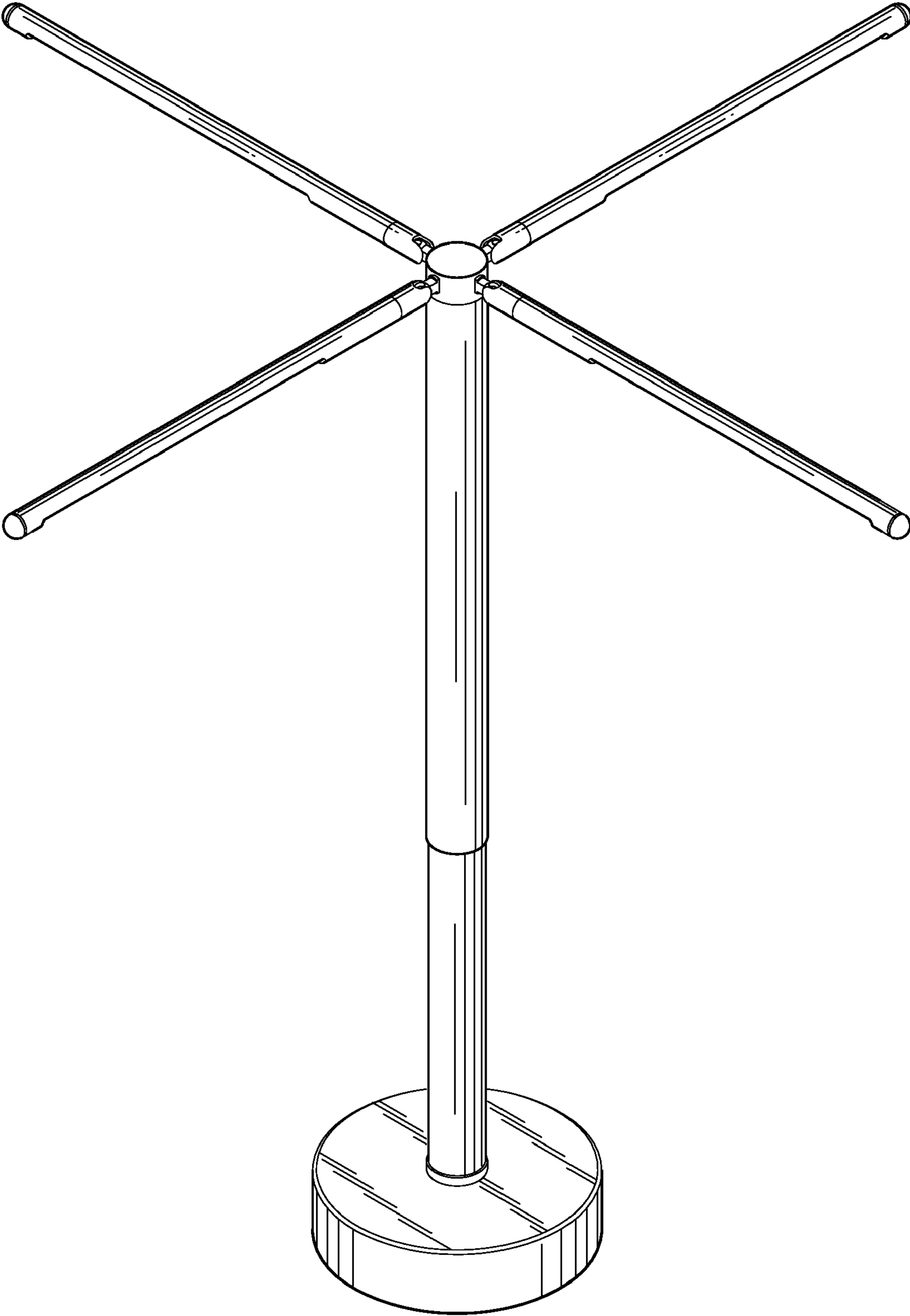


FIG. 10

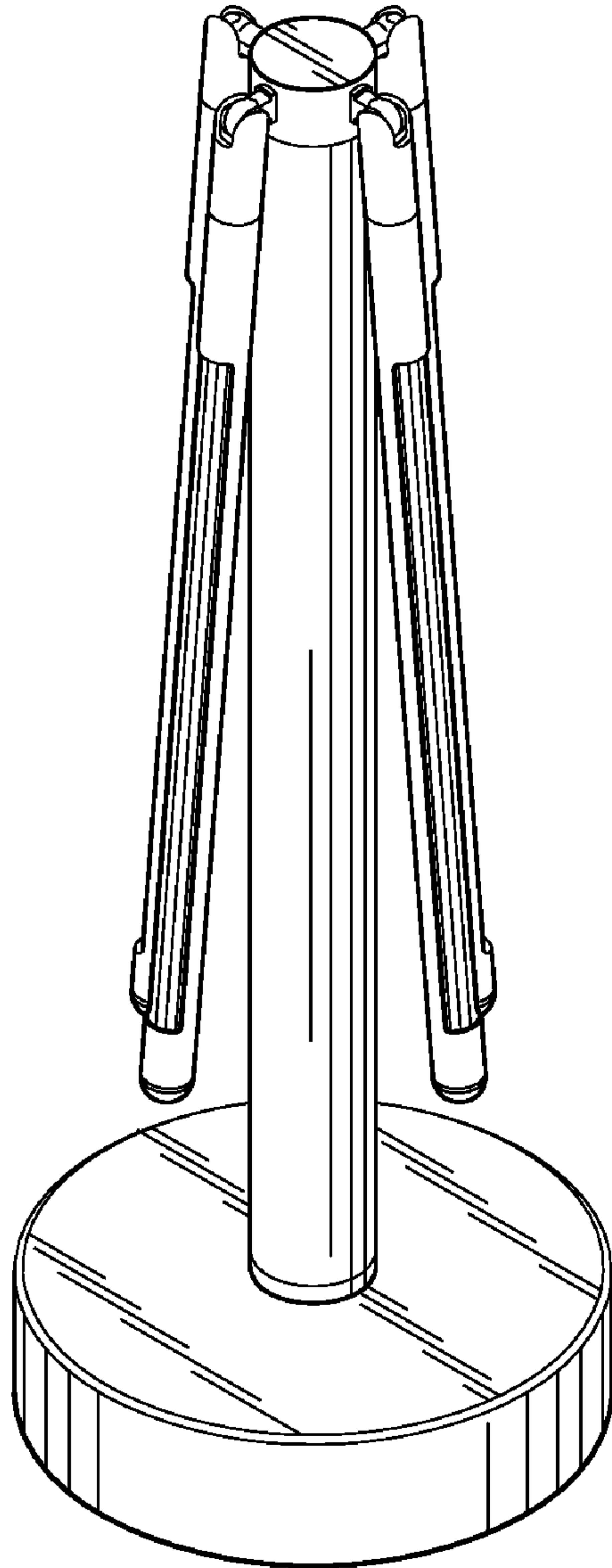


FIG. 11

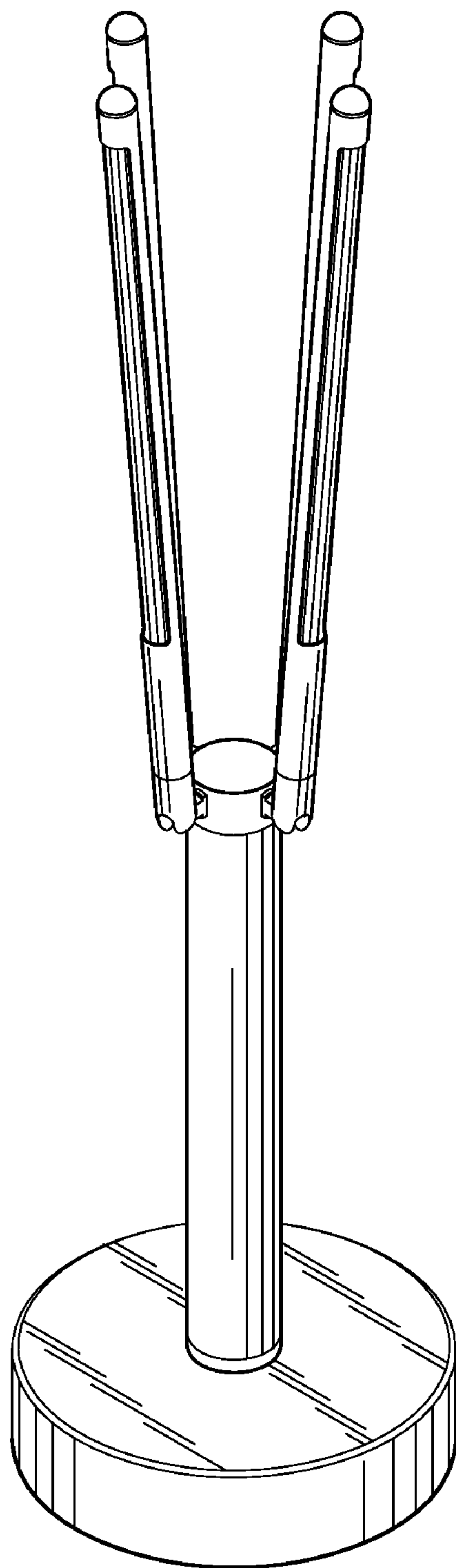


FIG. 12