



US00D624688S

(12) **United States Design Patent**
Johnson

(10) **Patent No.:** **US D624,688 S**

(45) **Date of Patent:** **** Sep. 28, 2010**

(54) **FIRE RATED DOWNLIGHT HOUSING**

(75) Inventor: **Andrew Joseph Johnson**, Gerrards Cross (GB)

(73) Assignee: **Aurora Lighting, Inc.**, Clearwater, FL (US)

(**) Term: **14 Years**

(21) Appl. No.: **29/330,675**

(22) Filed: **Jan. 12, 2009**

(51) **LOC (9) Cl.** **26-05**

(52) **U.S. Cl.** **D26/74**

(58) **Field of Classification Search** D26/26,
D26/37, 67, 72, 74-79, 80, 85, 104, 108,
D26/118, 120, 122, 134; 362/147-148, 150,
362/217-225, 132, 260, 262-264, 267, 294,
362/345, 362, 364, 373, 376, 440

See application file for complete search history.

(56) **References Cited**

U.S. PATENT DOCUMENTS

979,927	A *	12/1910	Brown et al.	439/546
D206,284	S *	11/1966	Ota	D26/72
3,439,157	A *	4/1969	Myles	362/551
5,426,572	A *	6/1995	Weinstock et al.	362/133
5,823,664	A *	10/1998	Demshki et al.	362/366
6,176,599	B1 *	1/2001	Farzen	362/365
6,357,891	B1 *	3/2002	Newbold et al.	362/147
6,452,336	B1 *	9/2002	Dandu	315/56
6,474,846	B1 *	11/2002	Kelmelis et al.	362/365
6,632,006	B1 *	10/2003	Rippel et al.	362/366
6,838,618	B2 *	1/2005	Newbold et al.	174/50
6,872,885	B1 *	3/2005	Newbold, Jr.	174/58
7,193,152	B2 *	3/2007	Moselle	174/50
7,455,432	B2 *	11/2008	Craw et al.	362/373
7,572,038	B2 *	8/2009	Kinnune et al.	362/365
2008/0112171	A1 *	5/2008	Patti et al.	362/365

2008/0170404 A1* 7/2008 Steer et al. 362/365

* cited by examiner

Primary Examiner—Philip S Hyder

Assistant Examiner—Susan E Krakower

(74) *Attorney, Agent, or Firm*—Hayes Soloway P.C.

(57) **CLAIM**

The ornamental design for a fire rated downlight housing, as shown and described.

DESCRIPTION

FIG. 1 is a top plan view of a fire rated downlight housing, showing my new design;

FIG. 2 is a bottom plan view thereof;

FIG. 3 is a perspective view from the top;

FIG. 4 is a perspective view from the bottom;

FIG. 5 is an end view thereof from one side, the other end being a mirror image;

FIG. 6 is a side elevational view thereof;

FIG. 7 is a top plan view of an alternative embodiment of my design;

FIG. 8 is a bottom plan view thereof;

FIG. 9 is a perspective view from the top;

FIG. 10 is a perspective view from the bottom;

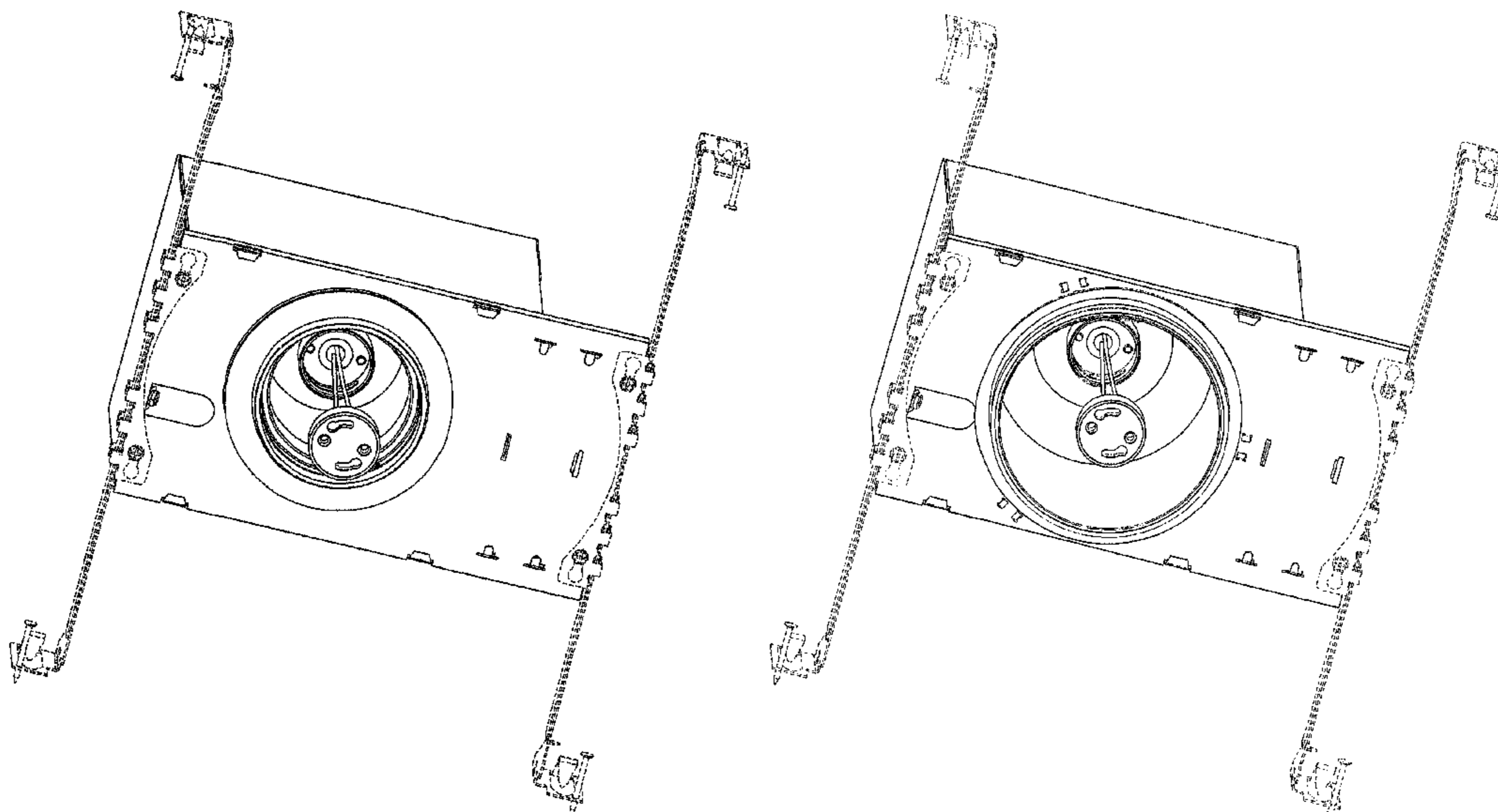
FIG. 11 is an end view thereof from one side, the other end being a mirror image; and,

FIG. 12 is a side elevational view thereof.

The hanging brackets shown at the ends of the housing are shown for position only, and form no part of the design.

The broken lines illustrate environmental components of the fire rated downlight housing which form no part of the claimed design.

1 Claim, 10 Drawing Sheets



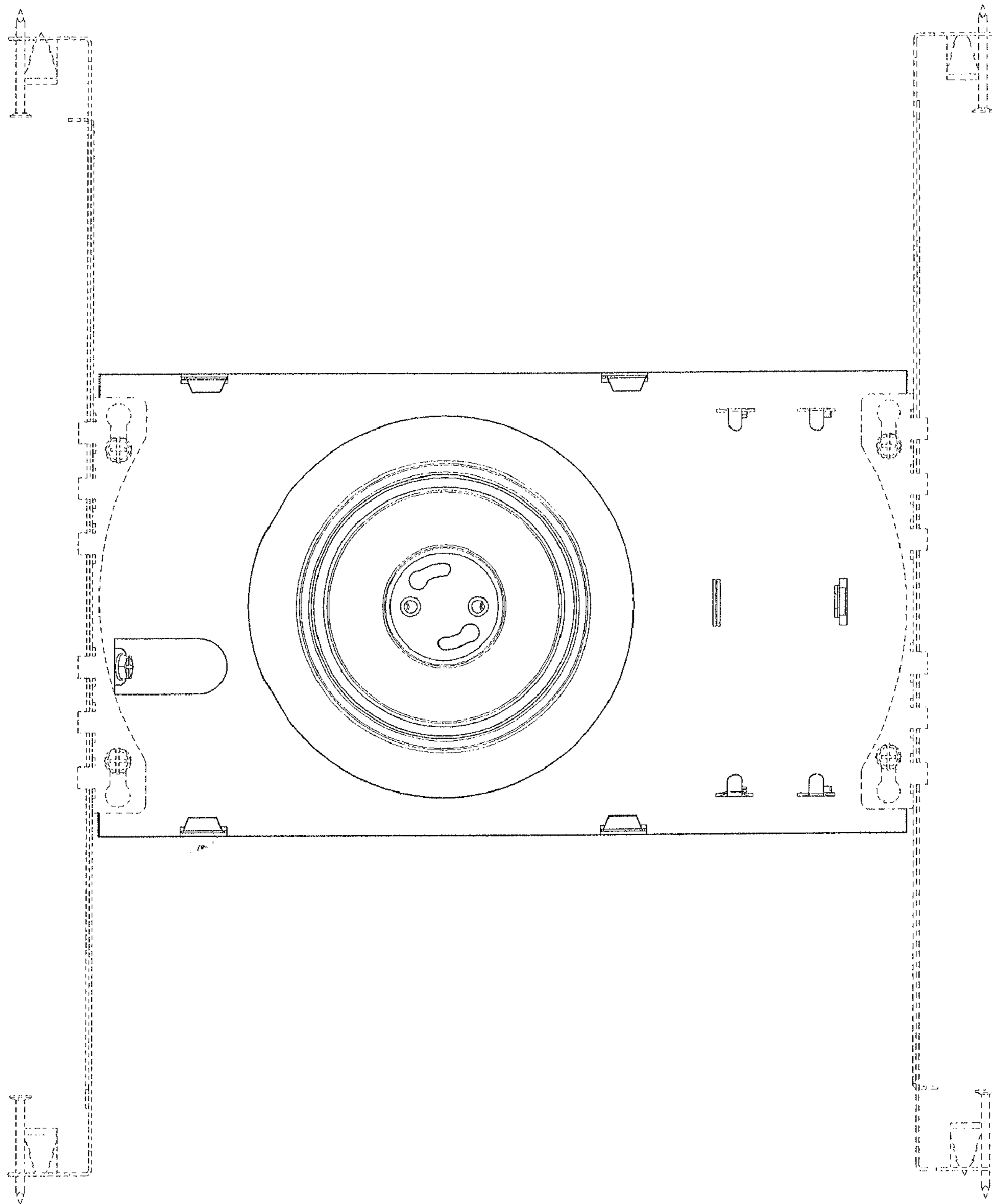


FIG.1

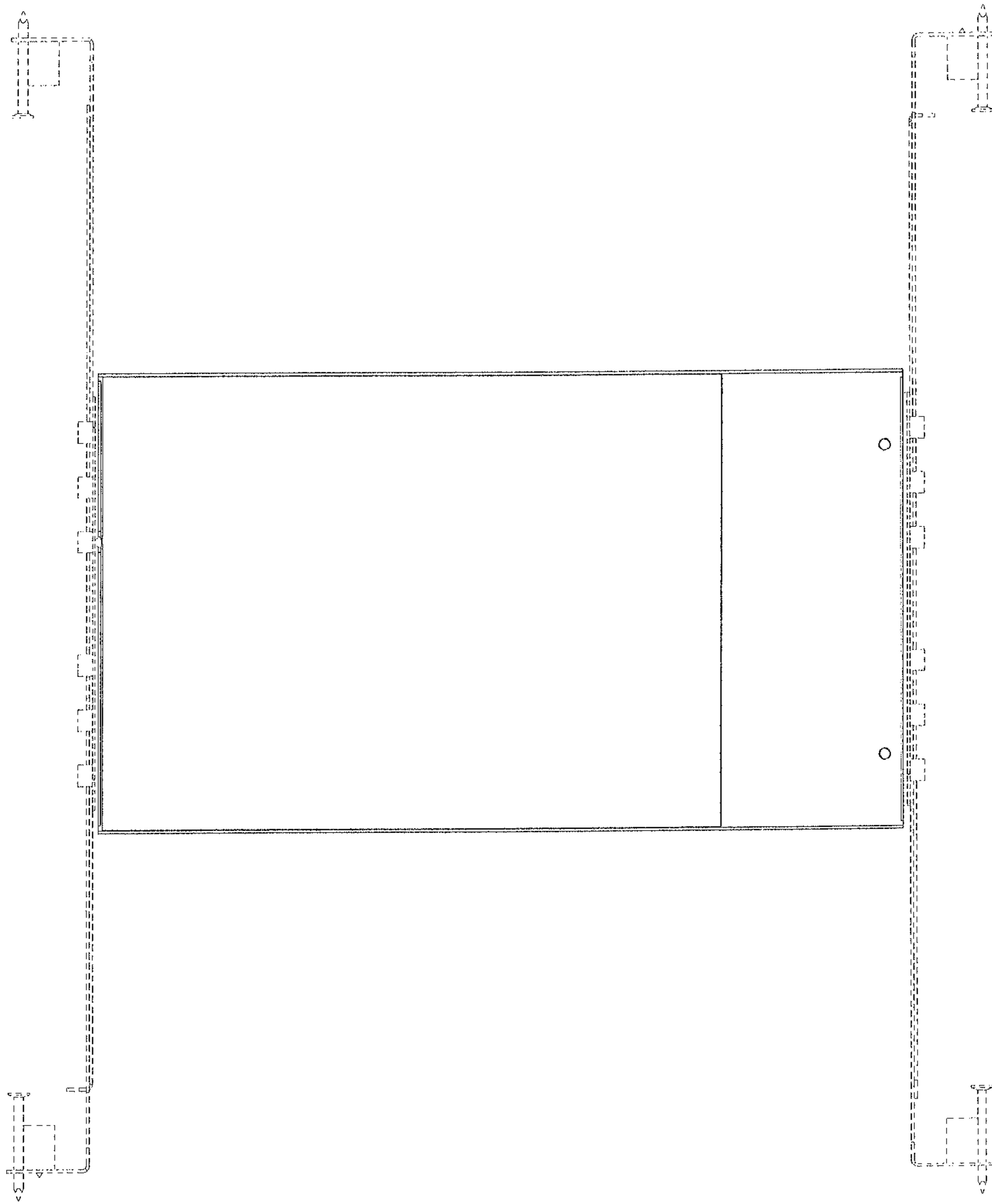


FIG.2

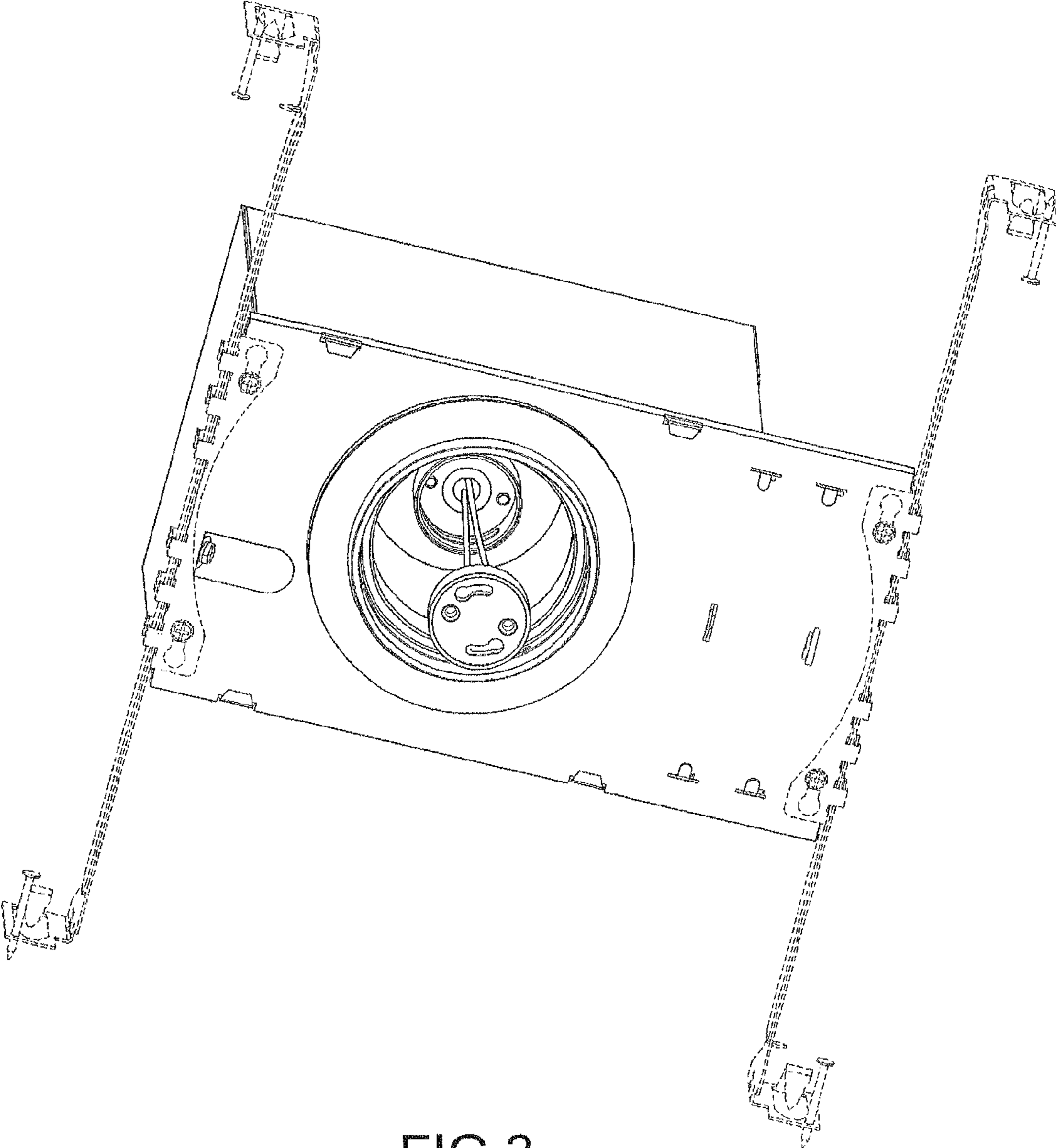


FIG.3

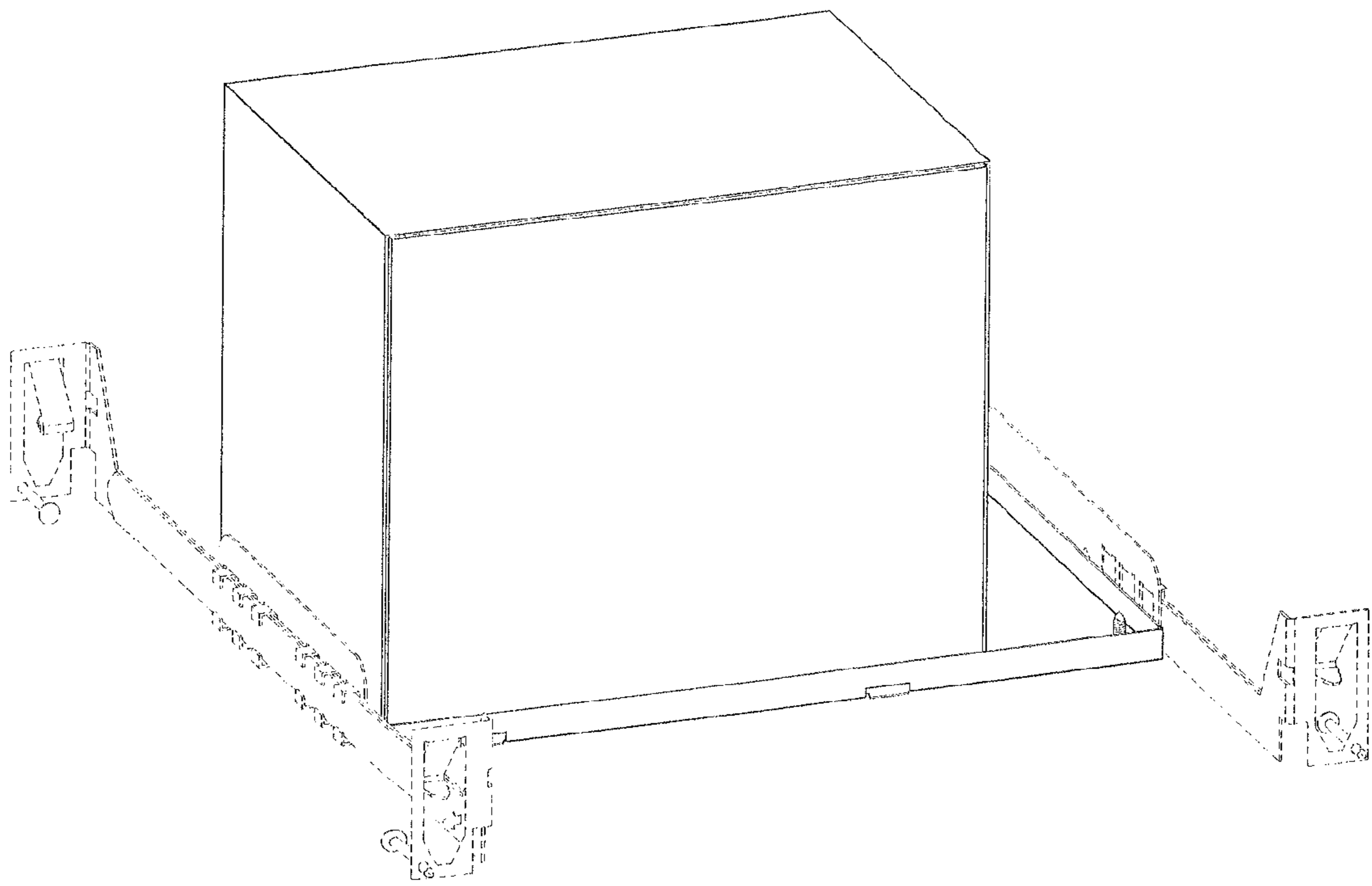


FIG. 4

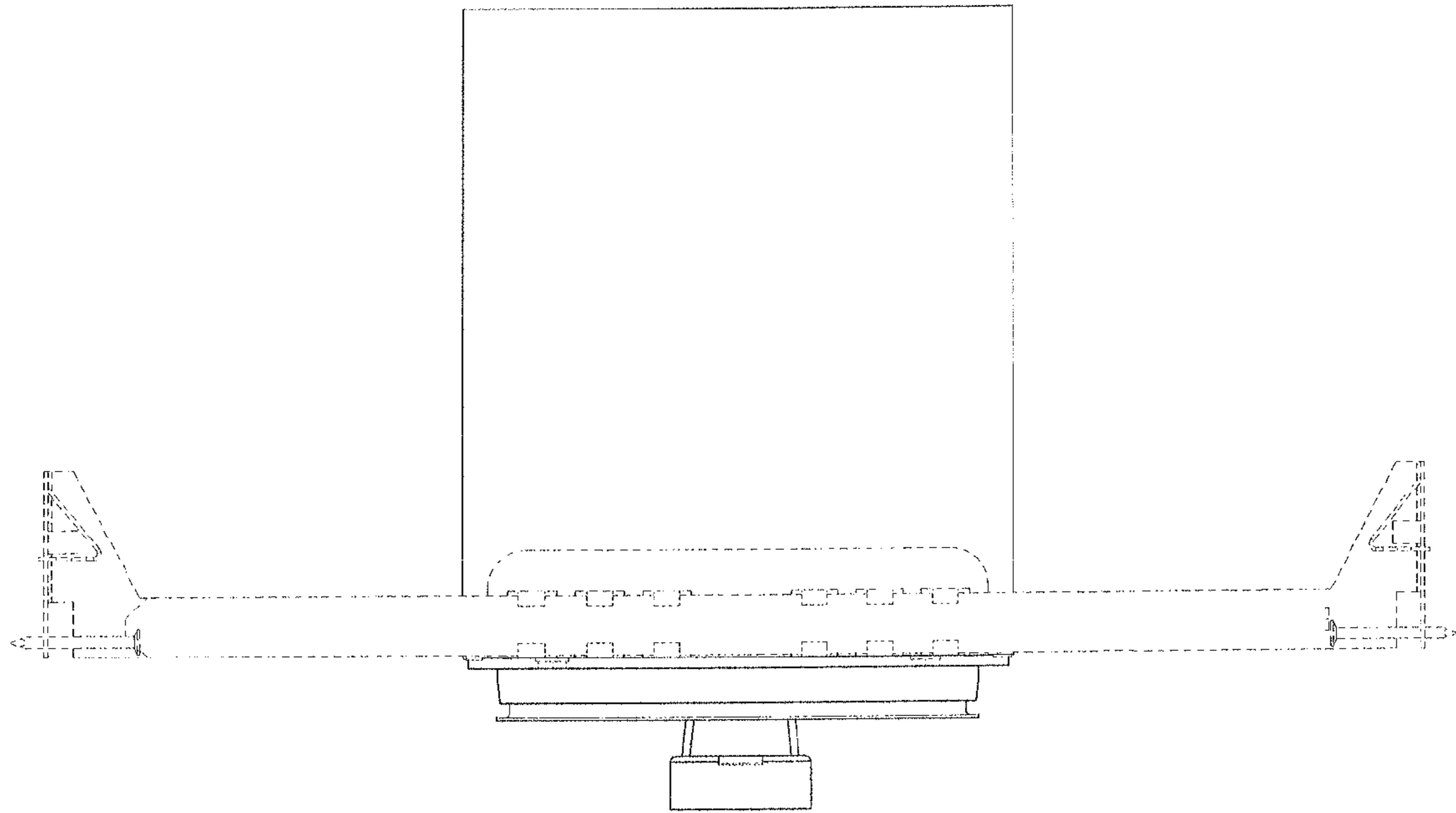


FIG. 5

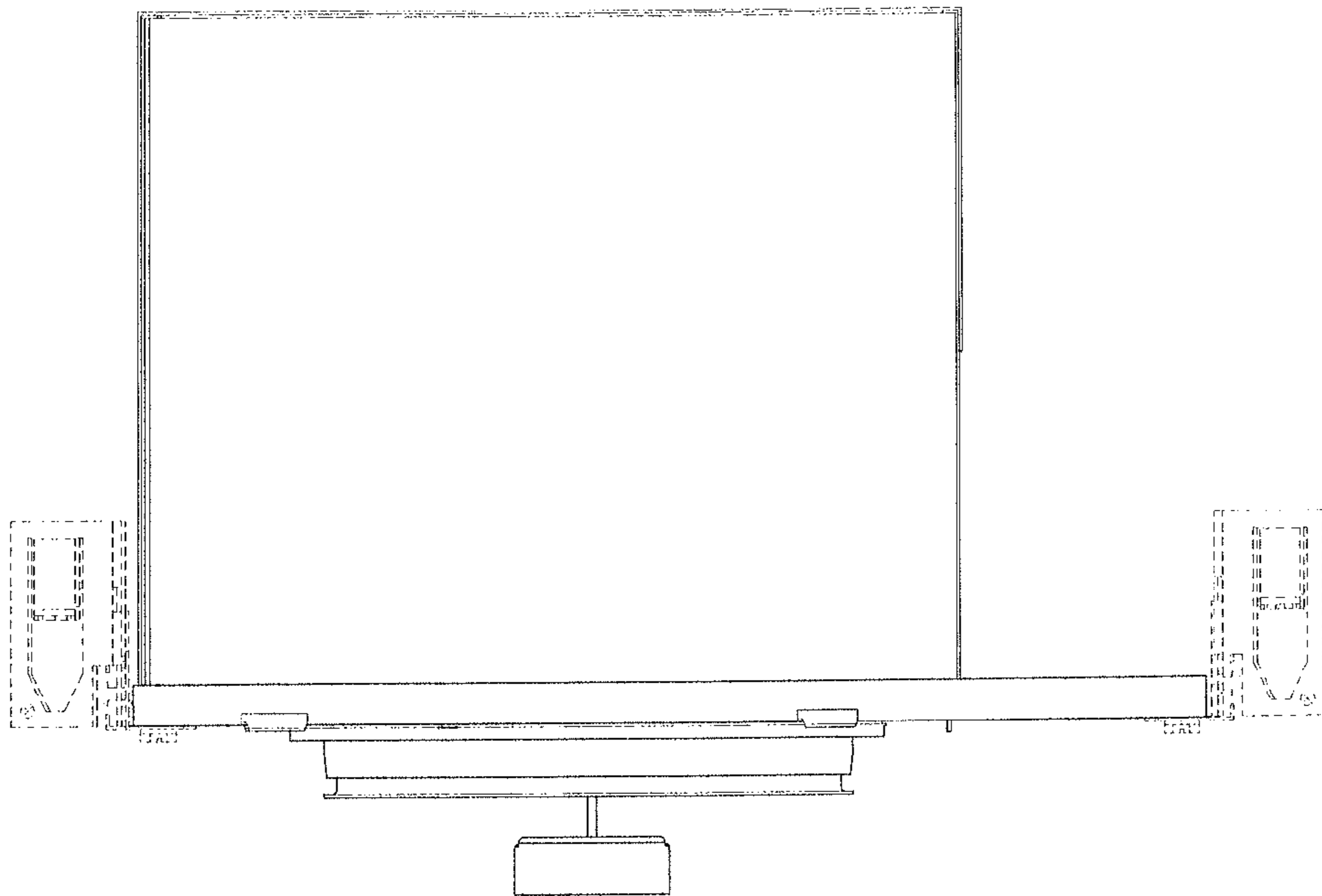


FIG. 6

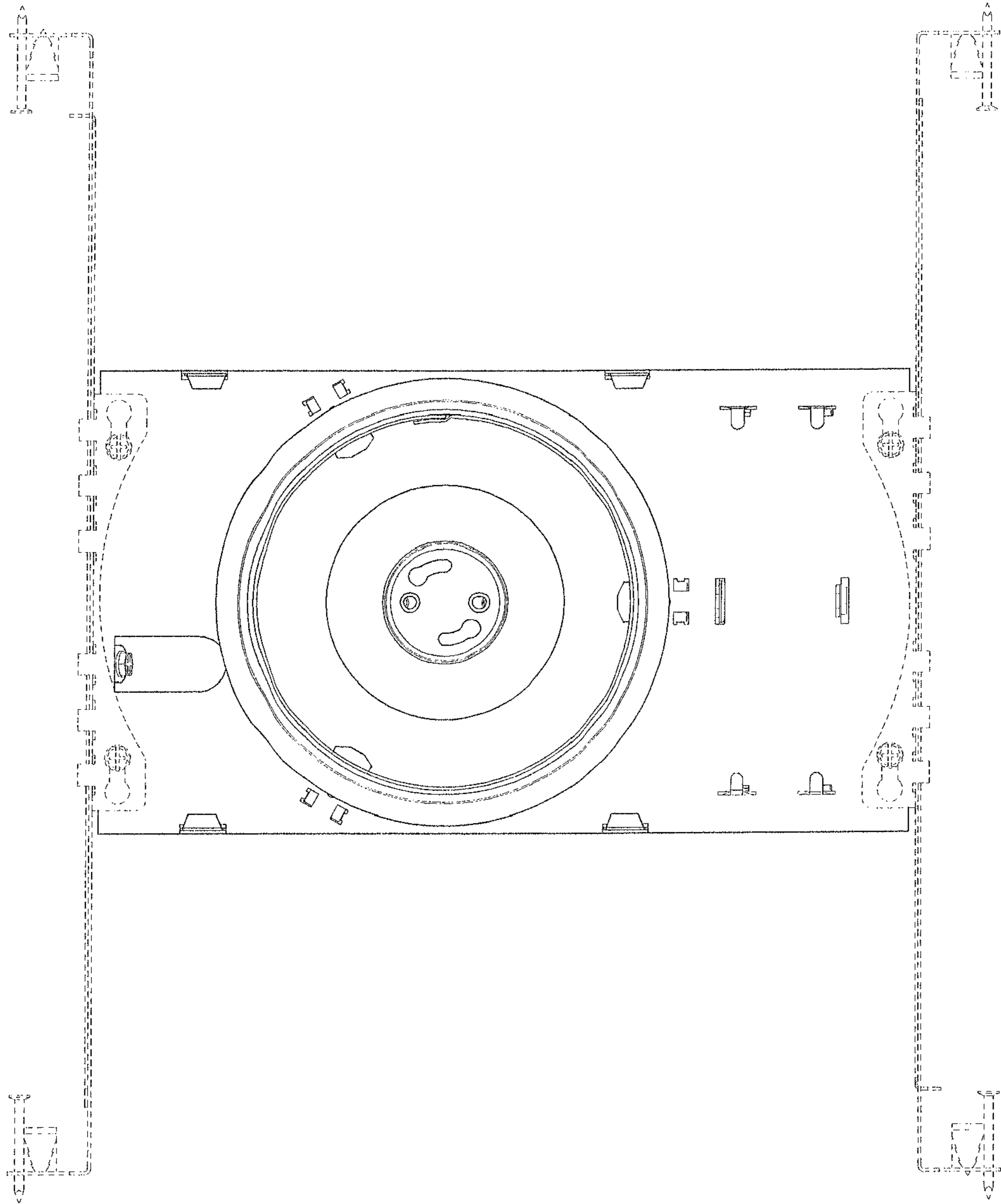


FIG. 7

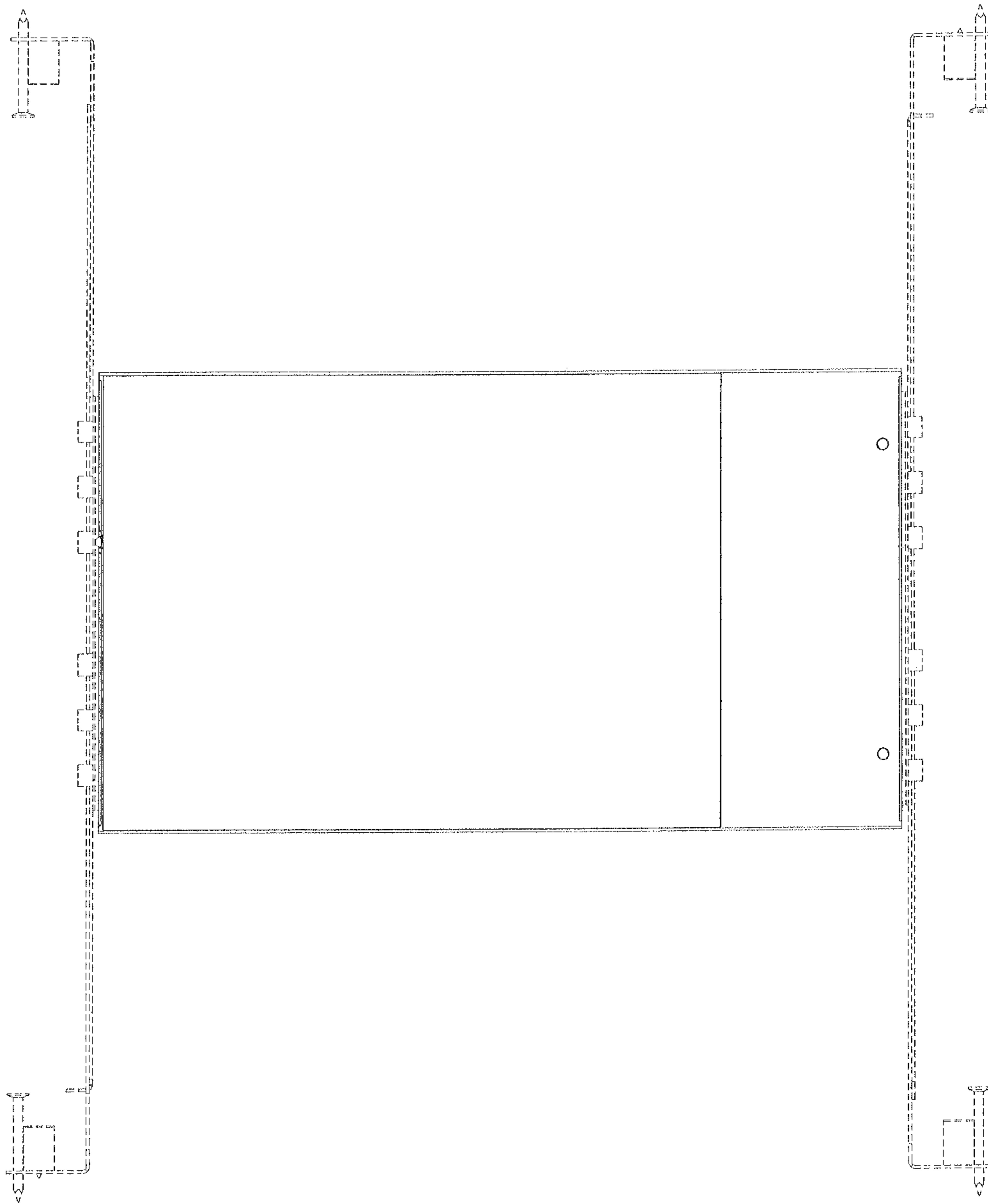


FIG.8

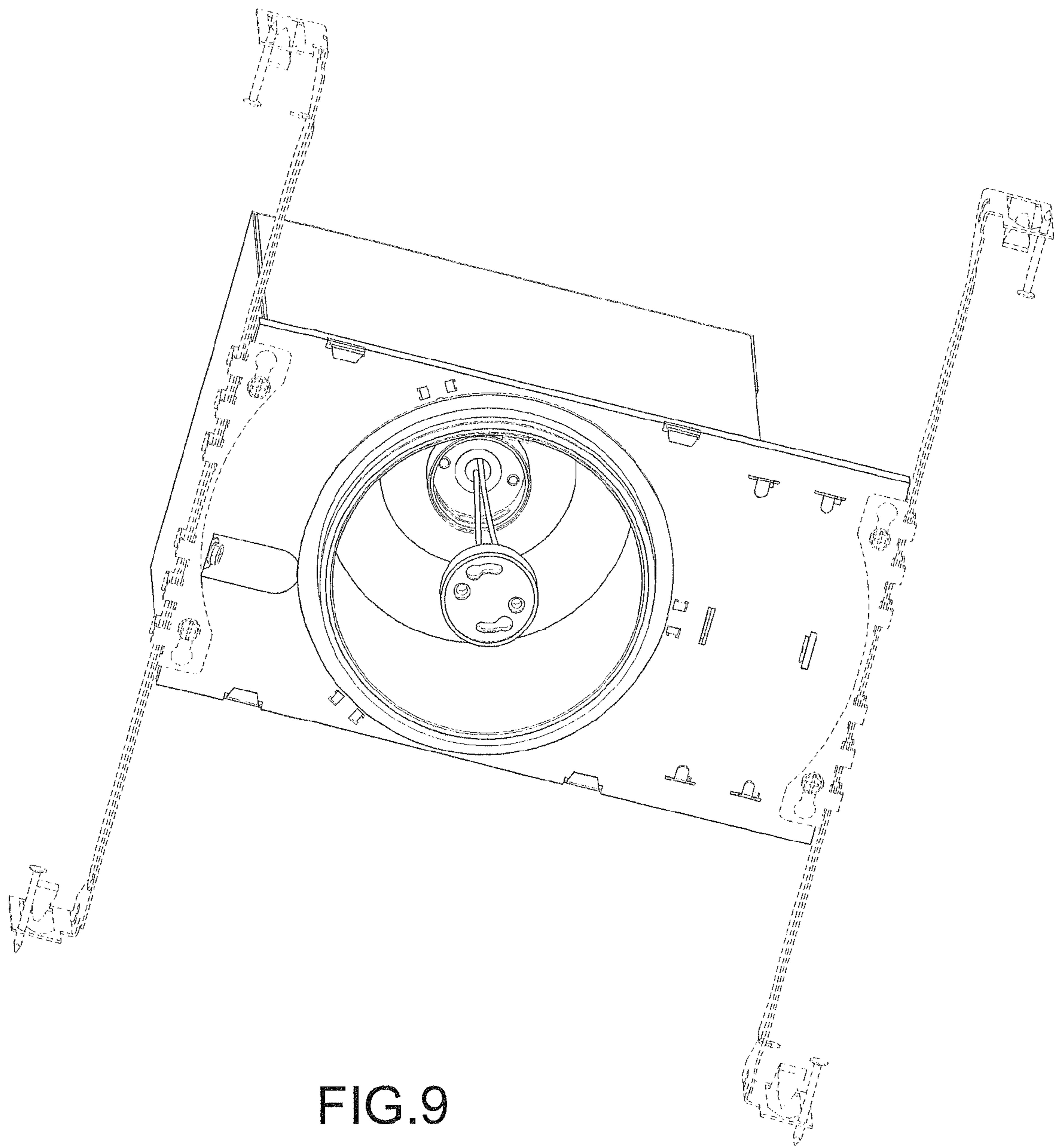


FIG. 9

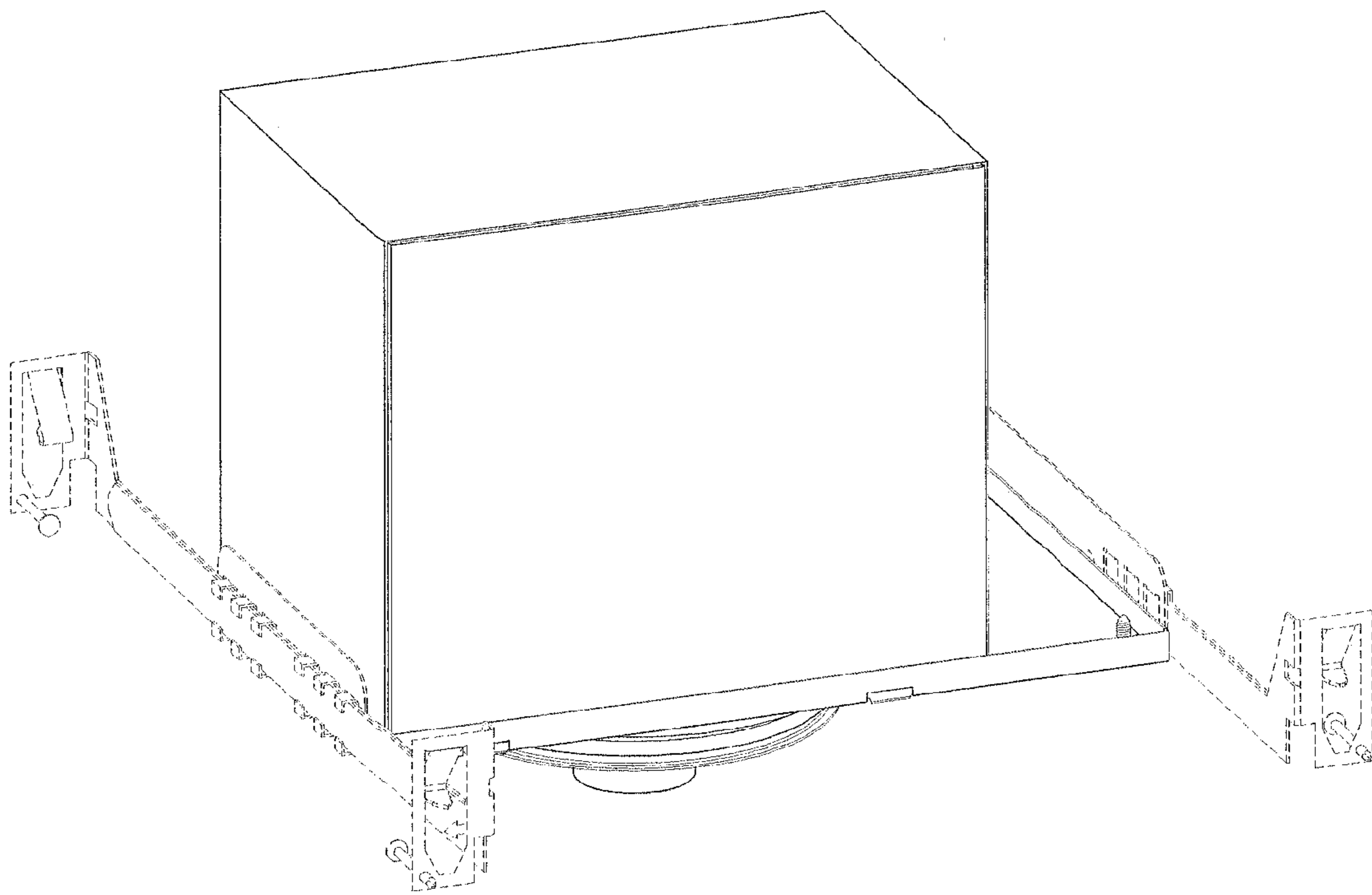


FIG.10

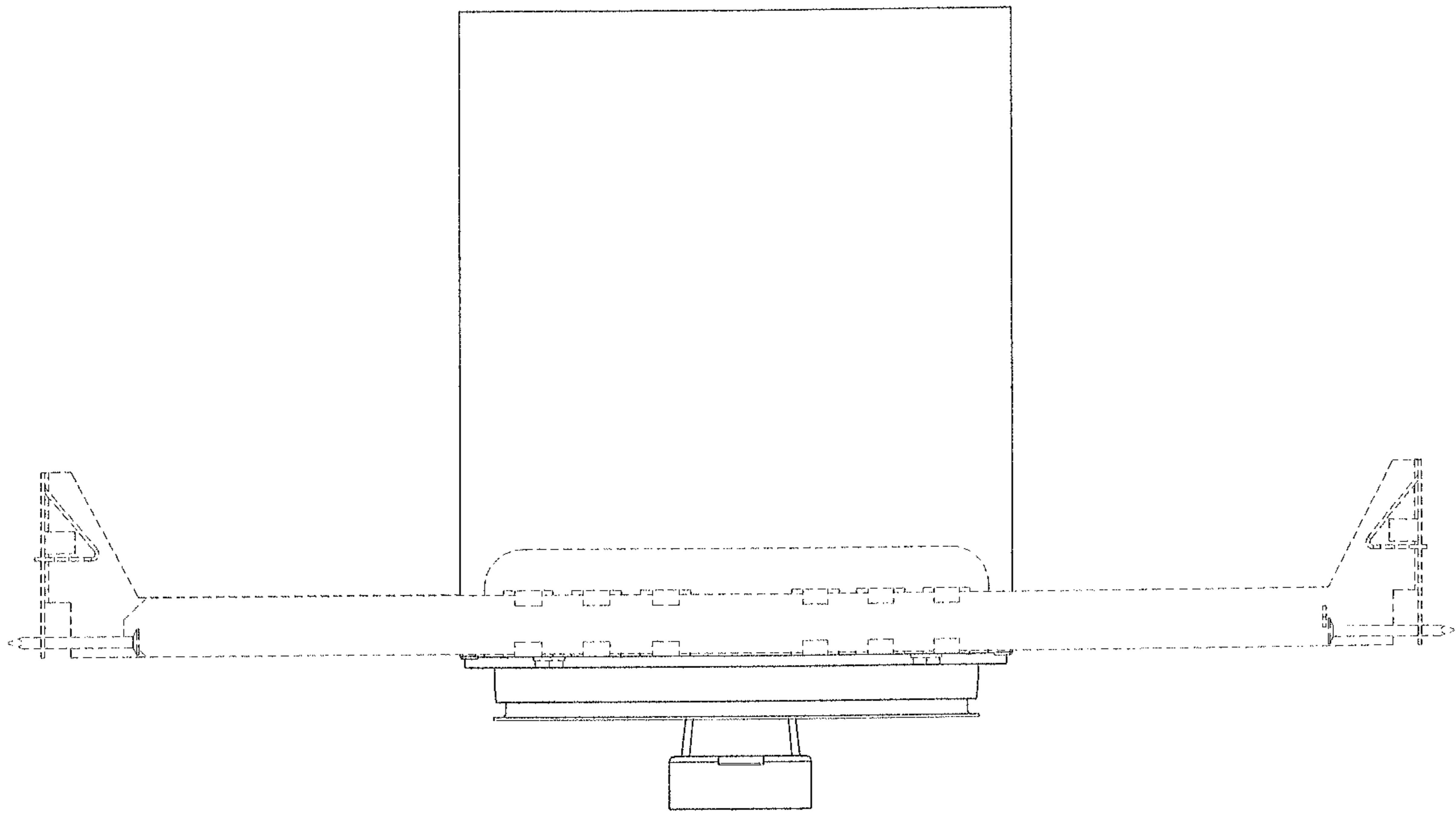


FIG. 11

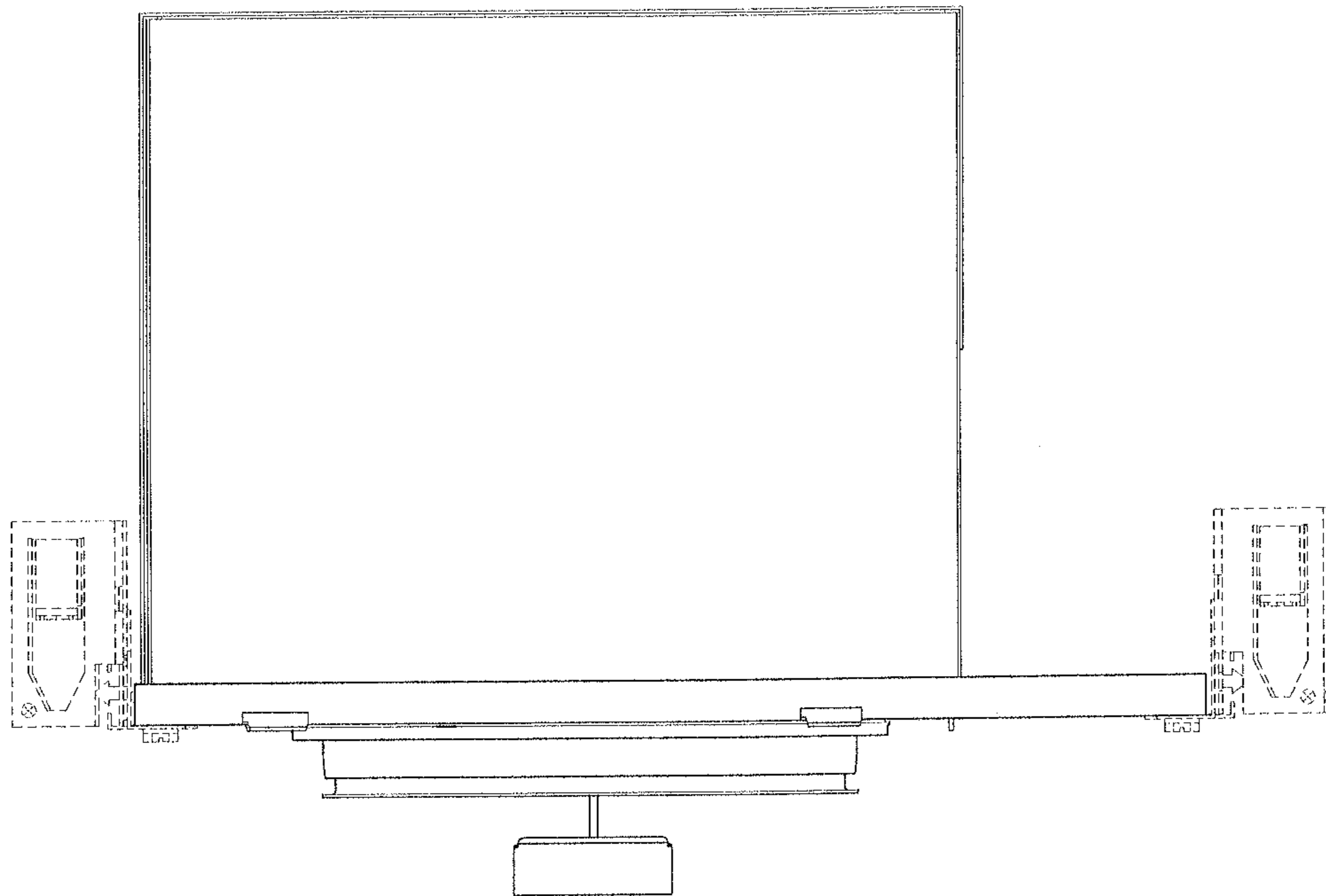


FIG. 12