



US00D624686S

(12) **United States Design Patent**
Toney, Jr. et al.

(10) **Patent No.:** **US D624,686 S**

(45) **Date of Patent:** **** Sep. 28, 2010**

(54) **LED LIGHT FIXTURE**

(75) Inventors: **James H. Toney, Jr.**, Canton, NC (US);
Rodney Jonathan Waters,
Hendersonville, NC (US); **Lee J.**
Belknap, Hendersonville, NC (US);
Gary Allen Steinberg, Flat Rock, NC
(US)

(73) Assignee: **General Electric Company**,
Schenectady, NY (US)

(**) Term: **14 Years**

(21) Appl. No.: **29/350,044**

(22) Filed: **Nov. 10, 2009**

(51) **LOC (9) Cl.** **26-05**

(52) **U.S. Cl.** **D26/72**

(58) **Field of Classification Search** D26/67-72,
D26/85, 92, 119; 362/145, 183, 249.02,
362/249.03, 249.04, 249.06, 249.16, 231,
362/431

See application file for complete search history.

(56) **References Cited**

U.S. PATENT DOCUMENTS

6,793,369 B2 9/2004 Calzaretta et al.
6,948,840 B2 9/2005 Grenda et al.
7,217,009 B2 5/2007 Klose

D556,935 S * 12/2007 Quioque et al. D26/71
7,461,952 B2 12/2008 Trenchardl et al.
2006/0209541 A1 9/2006 Peck
2007/0253202 A1 * 11/2007 Wu et al. 362/294
2009/0244881 A1 * 10/2009 Butler 362/20
2009/0244895 A1 * 10/2009 Chen 362/249.02
2009/0251898 A1 * 10/2009 Kinnune et al. 362/249.02
2009/0310363 A1 * 12/2009 Liu et al. 362/249.02

* cited by examiner

Primary Examiner—Clare E Heflin

(74) *Attorney, Agent, or Firm*—Fay Sharpe LLP

(57) **CLAIM**

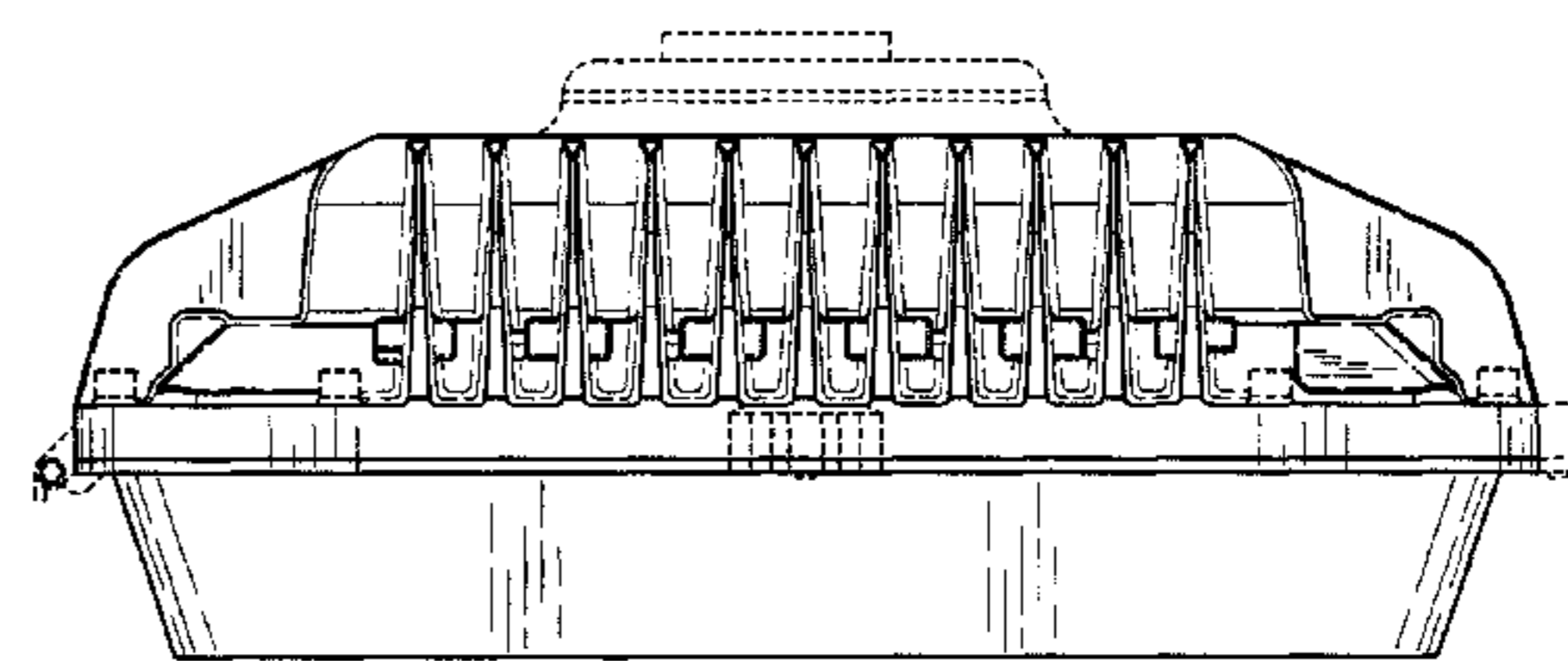
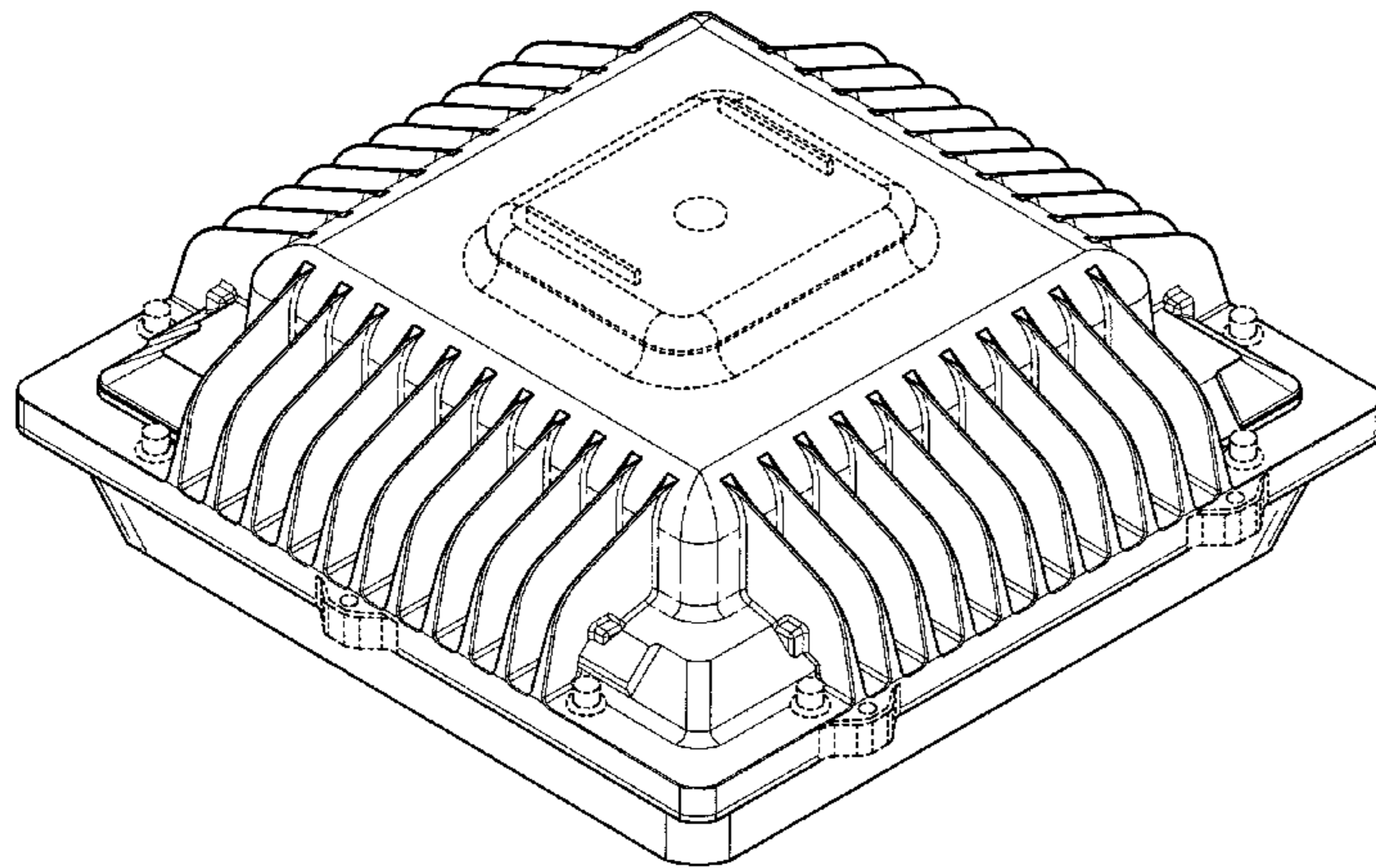
The ornamental design for LED light fixture, as shown and described.

DESCRIPTION

FIG. 1 is a top perspective view of the LED light fixture;
FIG. 2 is a bottom perspective view thereof;
FIG. 3 is a front elevational view thereof;
FIG. 4 is left-hand, first side elevational view thereof;
FIG. 5 is a right-hand, second side elevational view thereof;
FIG. 6 is a top plan view thereof; and,
FIG. 7 is a bottom plan view thereof.

The broken lines shown on the drawings depict portions of the LED light fixture that form no part of the claimed design.

1 Claim, 5 Drawing Sheets



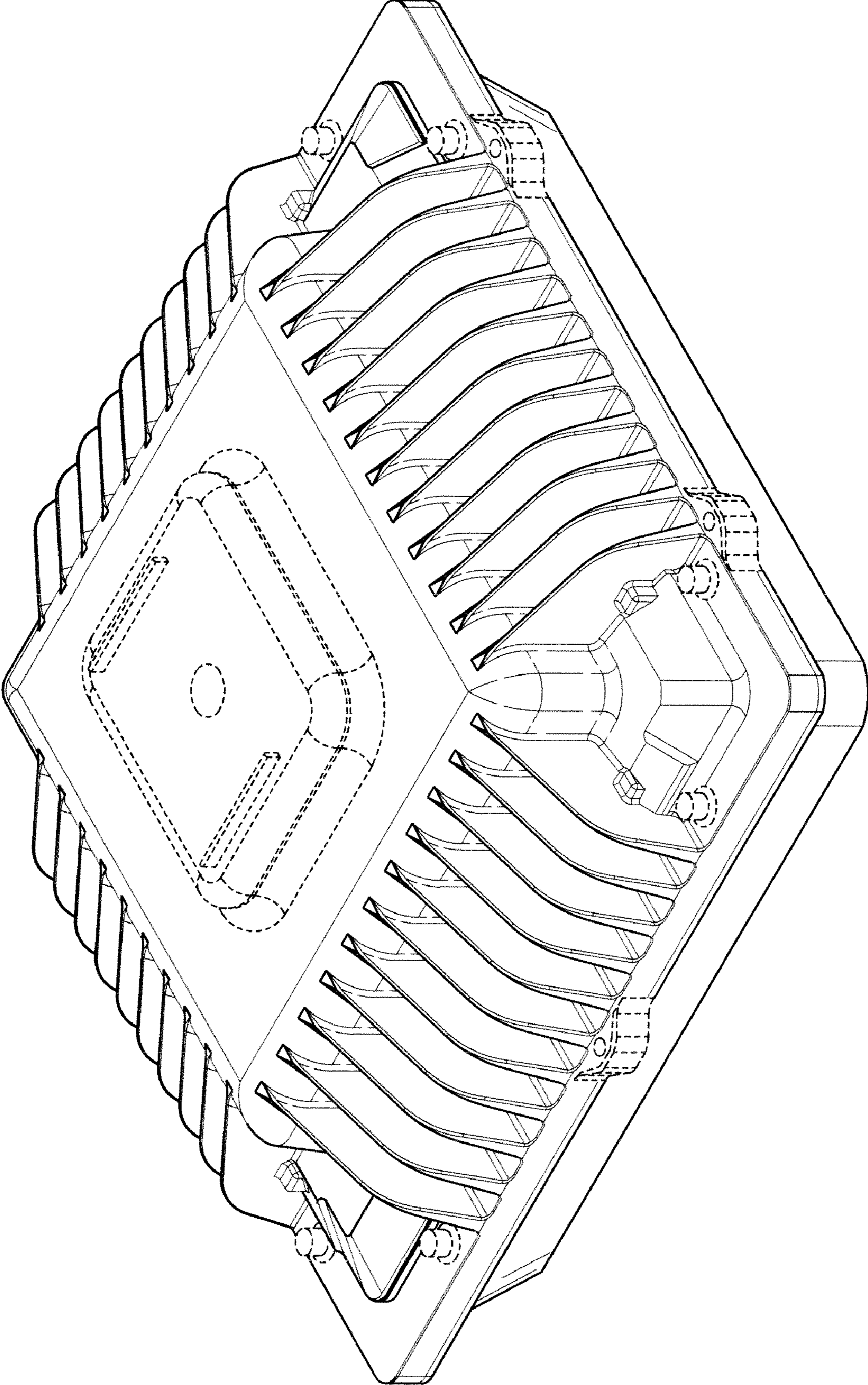


Fig. 1

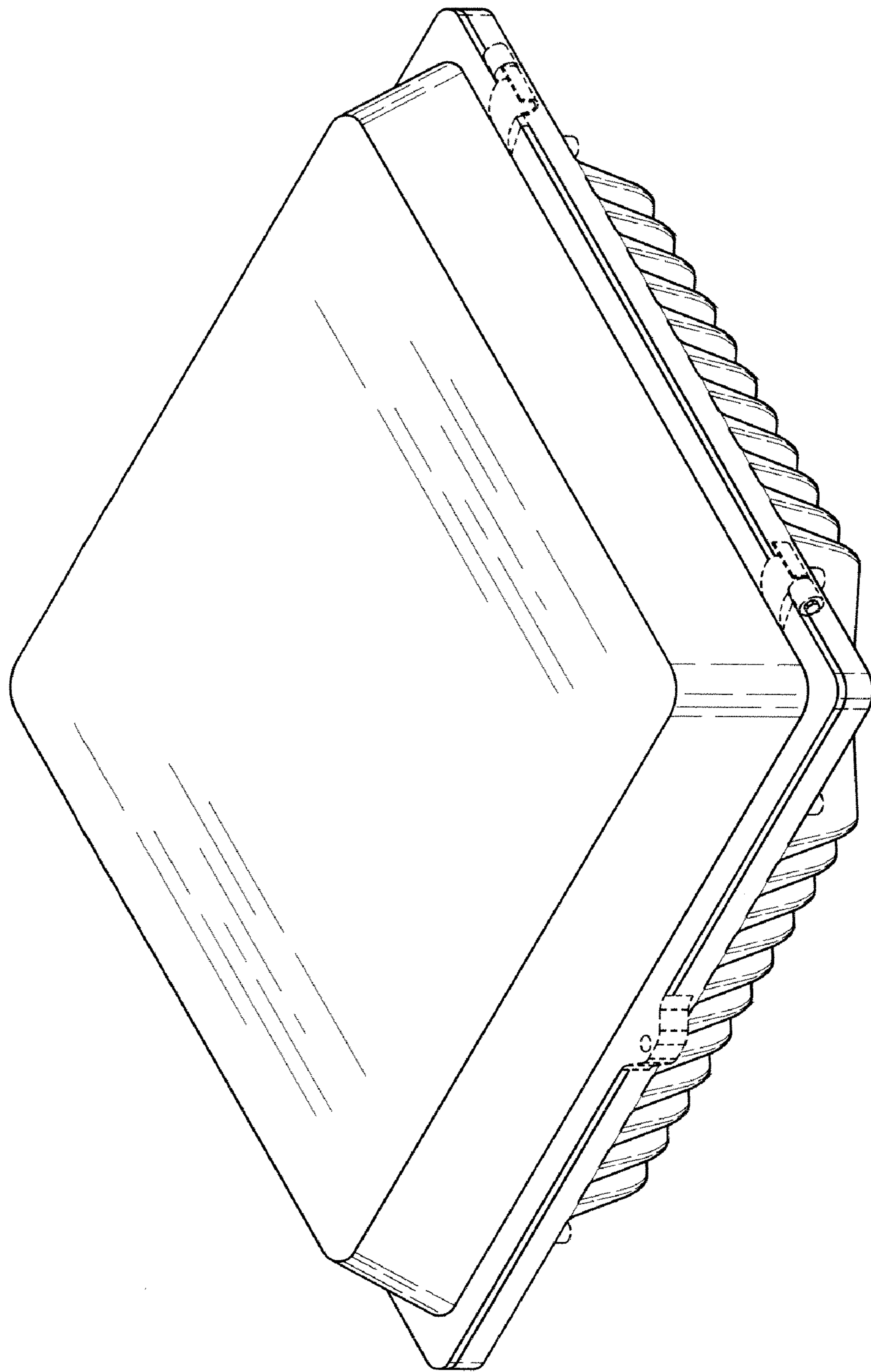


Fig. 2

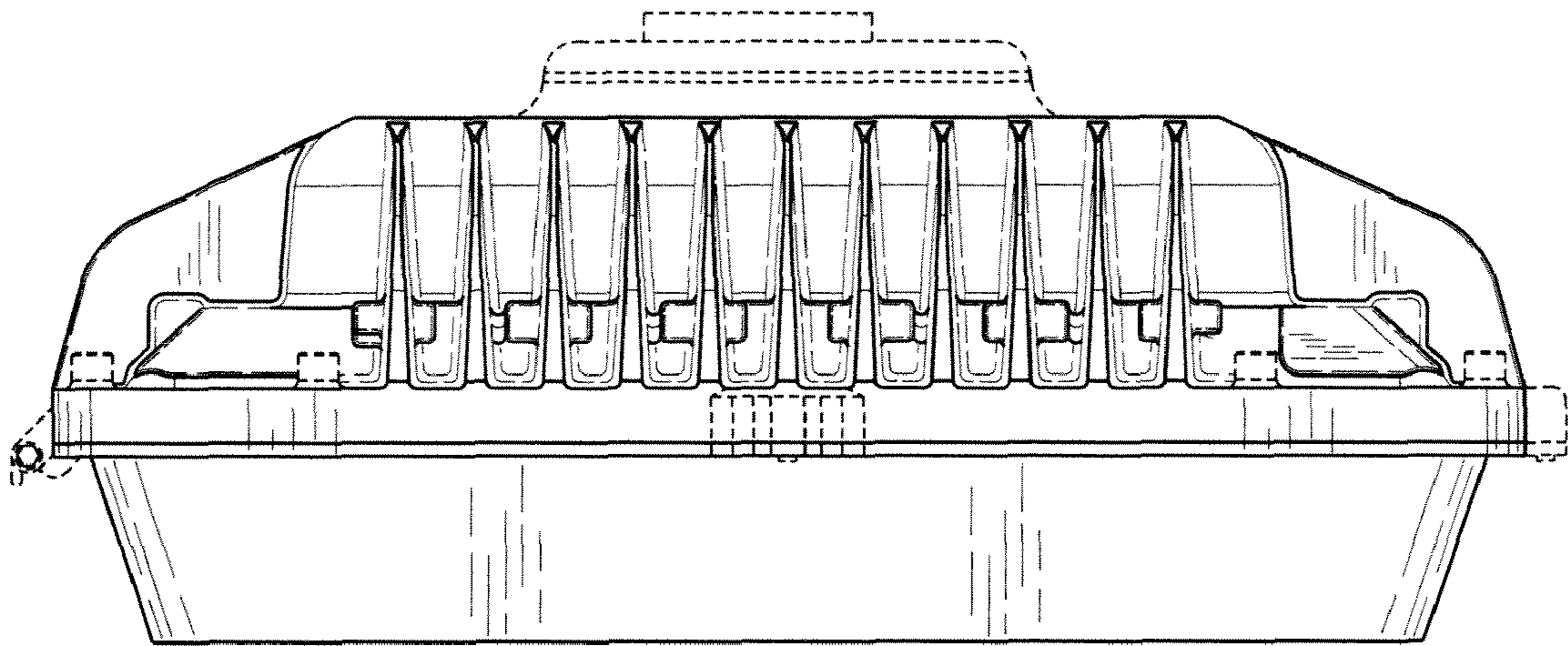


Fig. 3

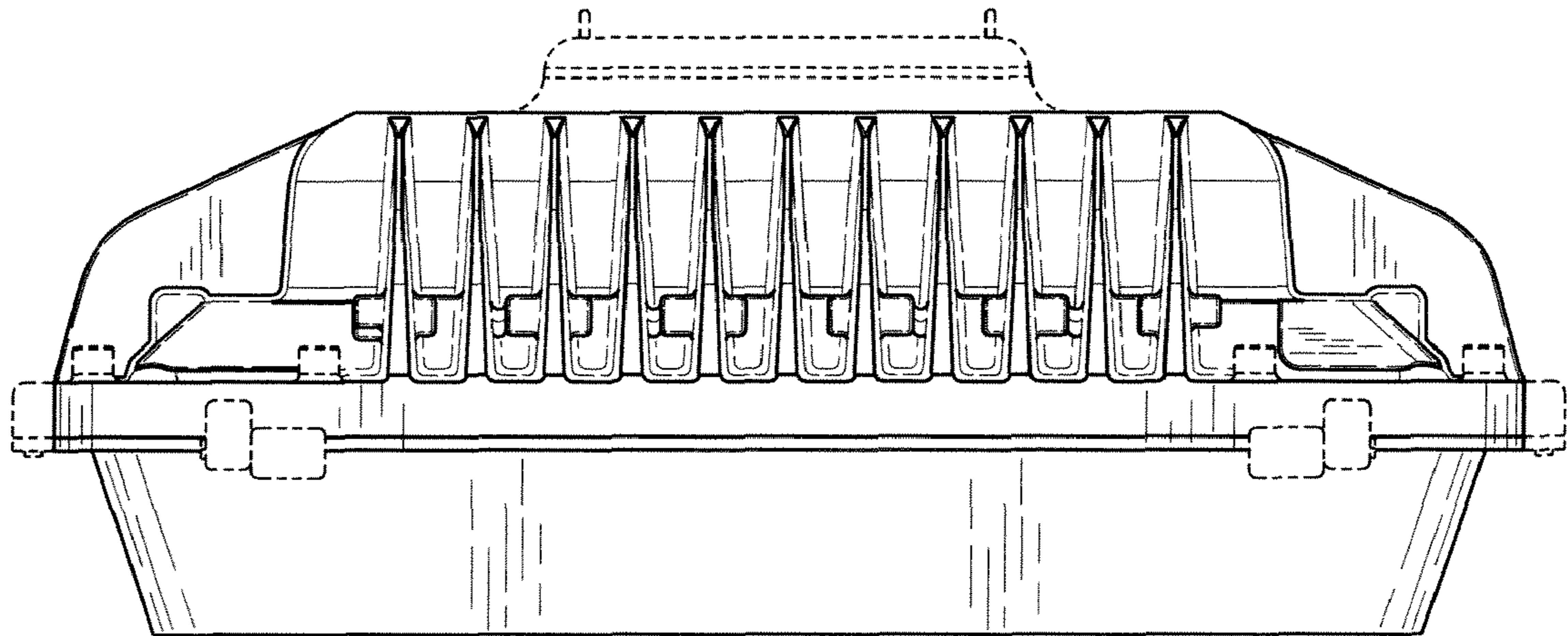


Fig. 4

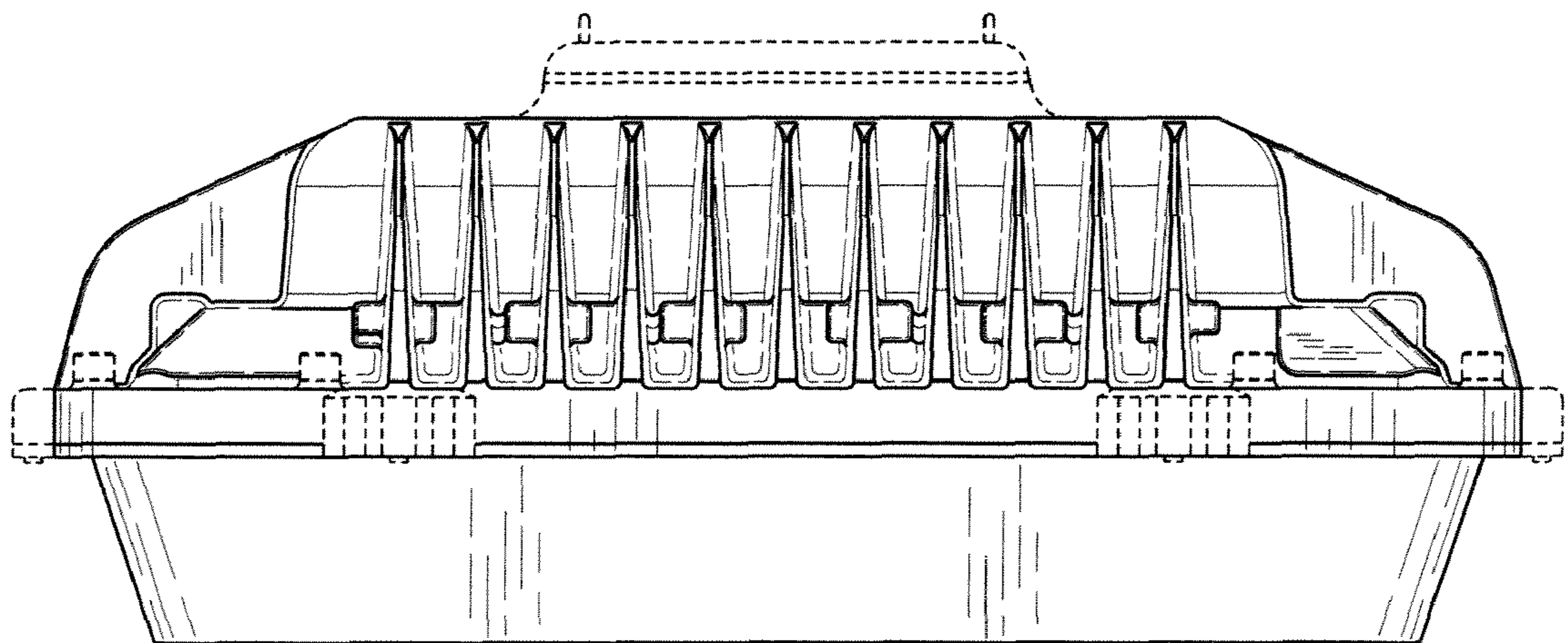


Fig. 5

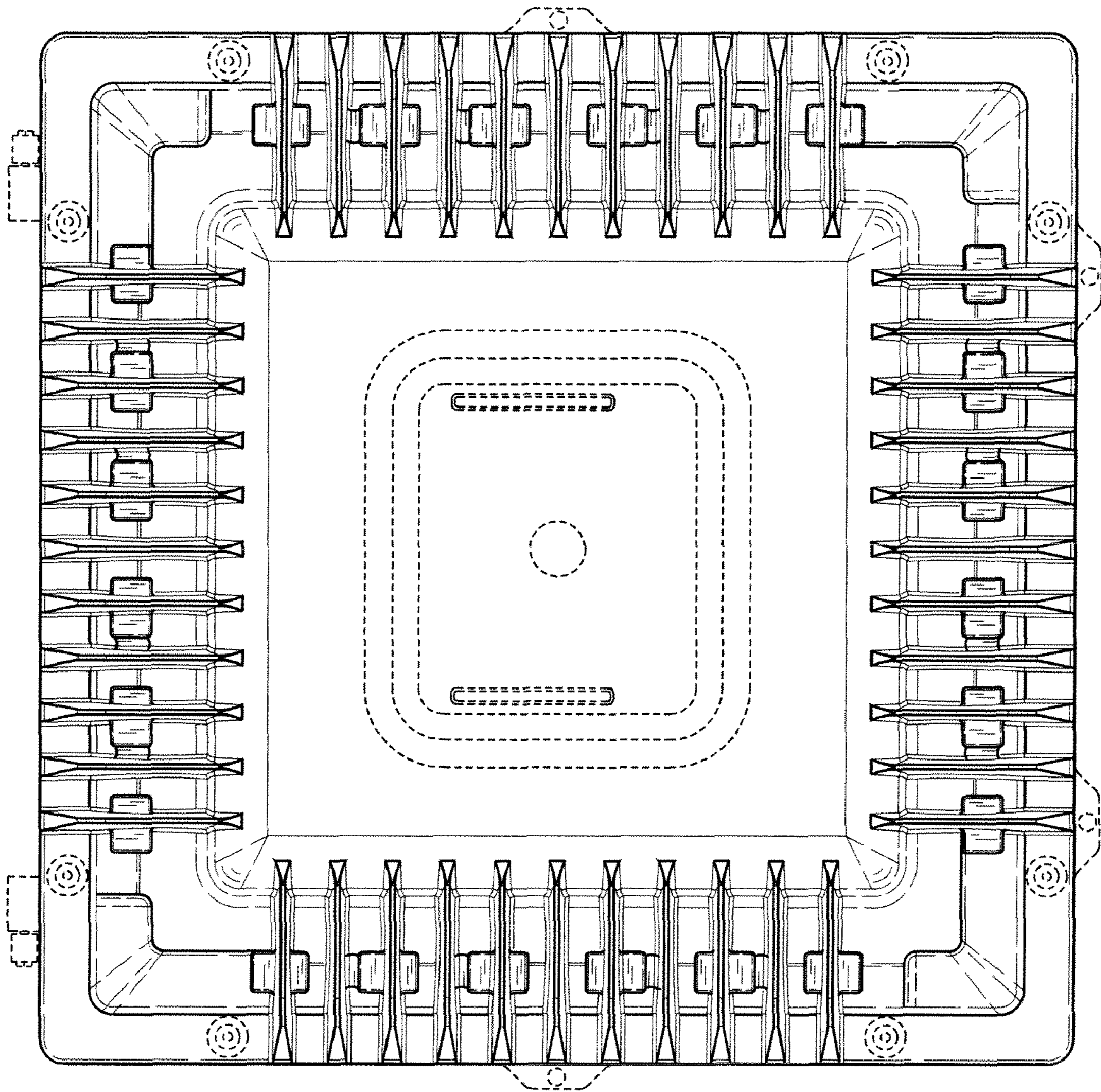


Fig. 6

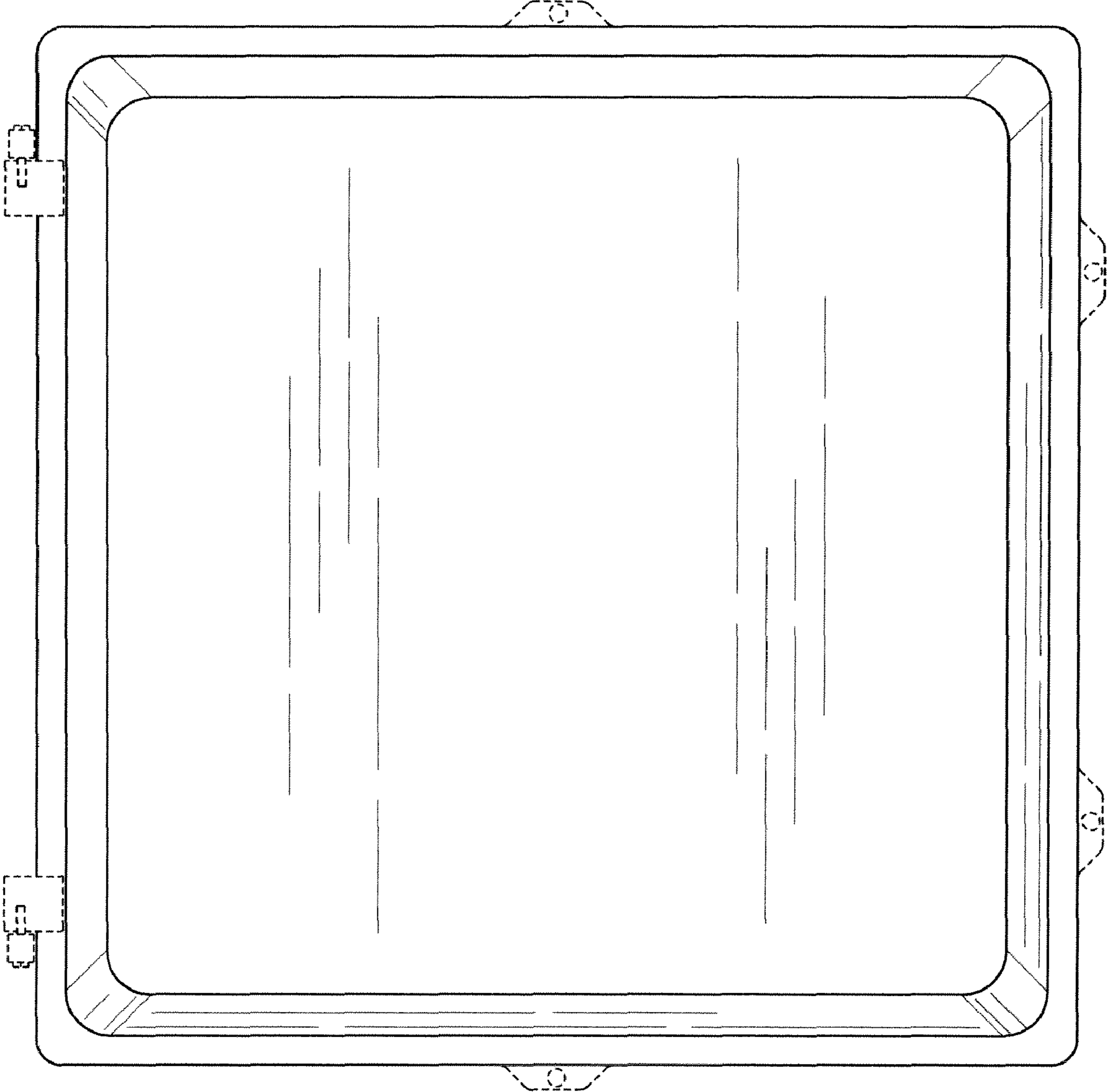


Fig. 7