



US00D624685S

(12) **United States Design Patent**
Ham et al.

(10) **Patent No.:** **US D624,685 S**

(45) **Date of Patent:** **** Sep. 28, 2010**

(54) **STREET LIGHT**

(75) Inventors: **Richard K. Ham**, Irvine, CA (US);
Kyungfan Moon, Fullerton, CA (US);
Byung Il Ham, Palos Verdes, CA (US)

(73) Assignee: **U.S. Energy Technologies, Inc.**, Irvine,
CA (US)

(**) Term: **14 Years**

(21) Appl. No.: **29/351,987**

(22) Filed: **Dec. 15, 2009**

(51) **LOC (9) Cl.** **26-05**

(52) **U.S. Cl.** **D26/71; D26/85**

(58) **Field of Classification Search** D26/67-71,
D26/85, 92; 362/20, 145, 183, 249.02, 249.03,
362/249.04, 249.06, 249.16, 231, 431
See application file for complete search history.

(56) **References Cited**

U.S. PATENT DOCUMENTS

D348,531 S	*	7/1994	Mehaffey et al.	D26/71
D391,659 S	*	3/1998	Gaskins et al.	D26/71
D500,569 S	*	1/2005	Butler	D26/71
D556,935 S	*	12/2007	Quioque et al.	D26/71
D568,524 S	*	5/2008	Sandell	D26/85
D570,516 S	*	6/2008	Orellana	D26/71
D572,857 S	*	7/2008	Kauffman et al.	D26/71
D579,141 S	*	10/2008	Guercio	D26/92
D587,839 S	*	3/2009	Guercio	D26/92

D615,234 S	*	5/2010	Oblak	D26/71
2009/0244895	A1	10/2009	Chen	362/249.02
2009/0251898	A1	10/2009	Kinnune et al.	362/249.02

OTHER PUBLICATIONS

Building Mounted Light in center of p. 469; and Pole Mounted Light in top left of p. 469 of the Lithonia Lighting Catalog © 2006. (2 pages).*

Fujian Juan Kuang Yaming Electric Limited (JK), Induction Lamp, catalog, 2006.

American Induction Technologies, Inc., Roadway Lighting, 2007.
US Lighting Tech, Induction Lighting, catalog, 2008.

* cited by examiner

Primary Examiner—Clare E Heflin

(74) *Attorney, Agent, or Firm*—Sheppard, Mullin, Richter & Hampton LLP

(57) **CLAIM**

The ornamental design for a street light, as shown and described.

DESCRIPTION

FIG. 1 is a front elevation view of the street light.

FIG. 2 is a rear elevation view of the street light.

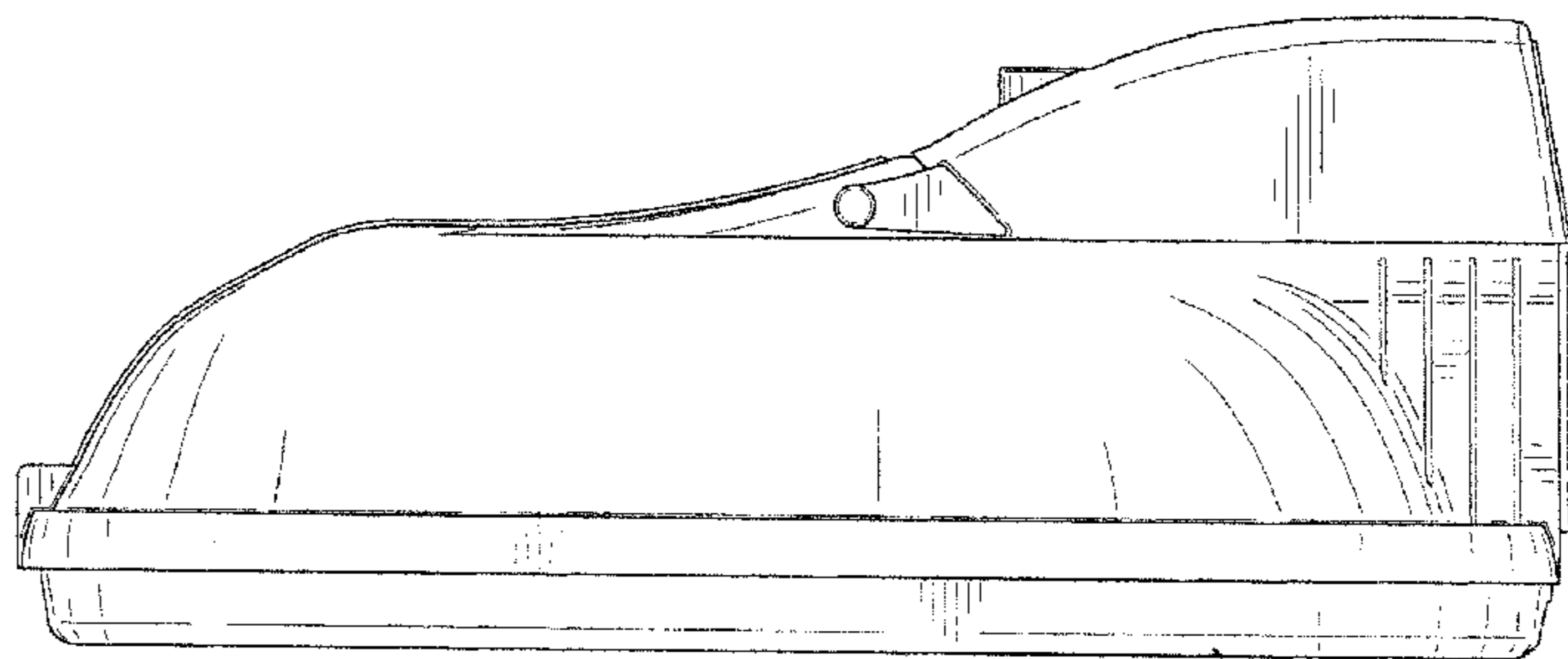
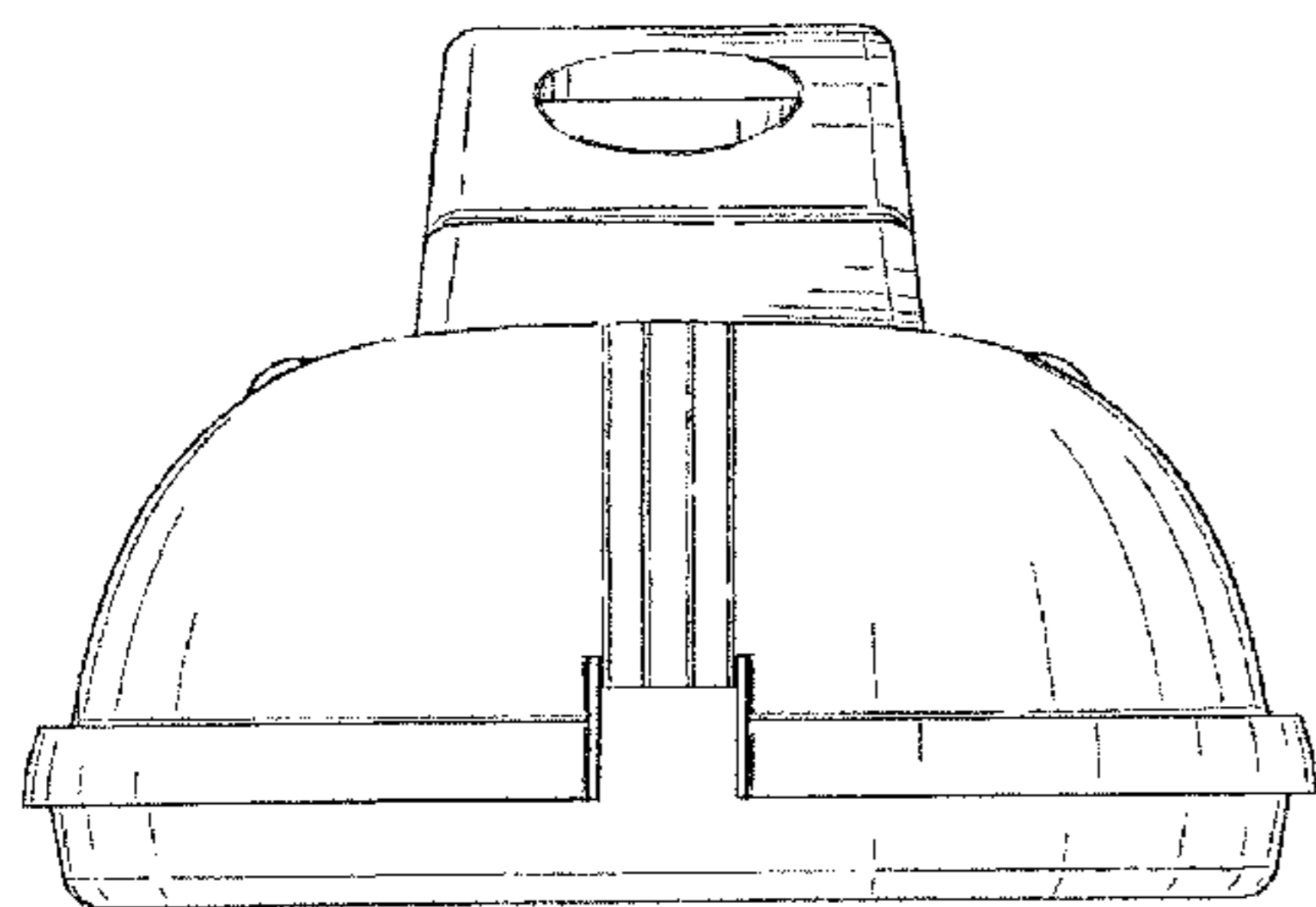
FIG. 3 is a right side elevation view of the street light.

FIG. 4 is a left side elevation view of the street light.

FIG. 5 is a top plan view of the street light; and,

FIG. 6 is a bottom plan view of the street light.

1 Claim, 5 Drawing Sheets



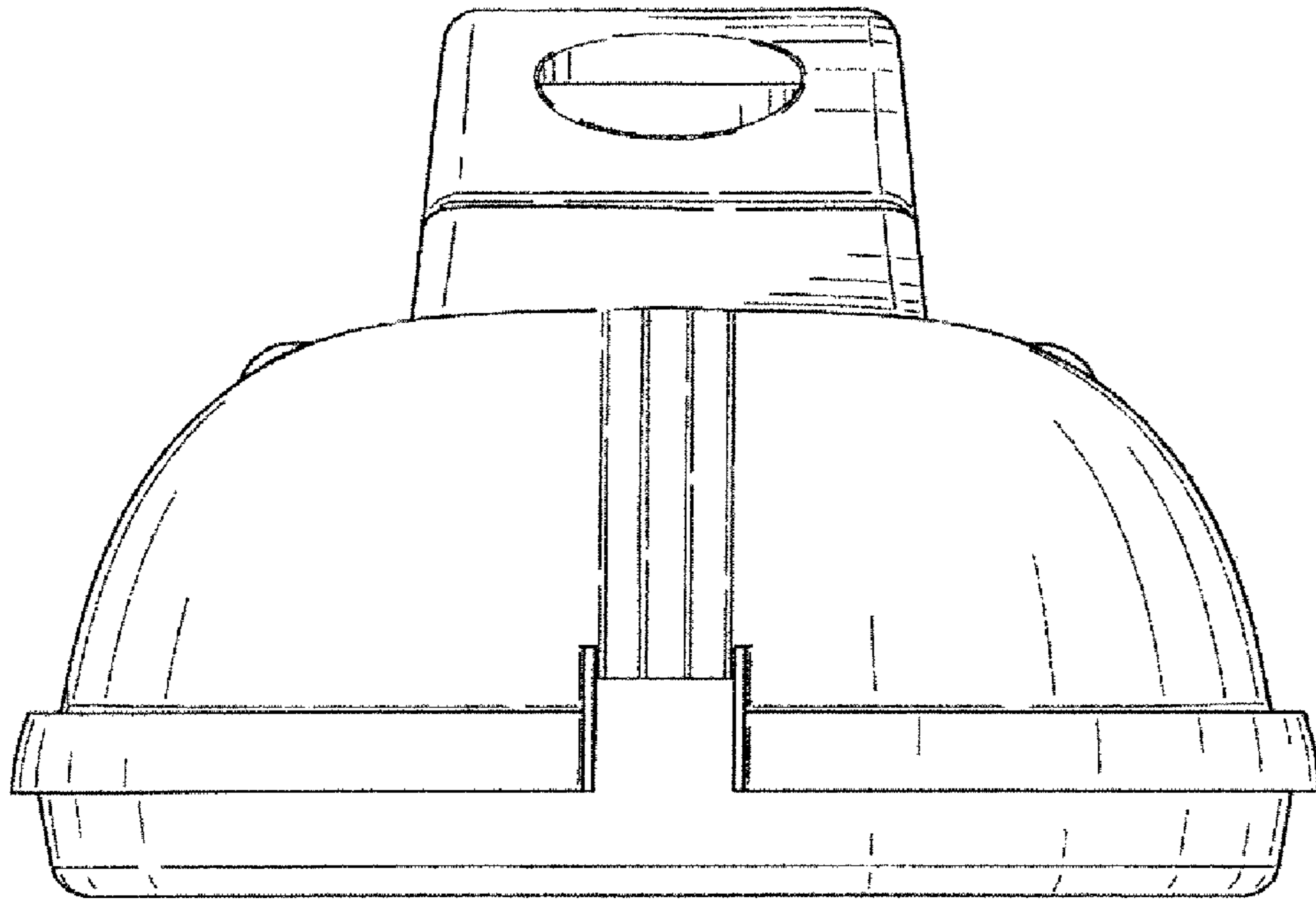


FIG. 1

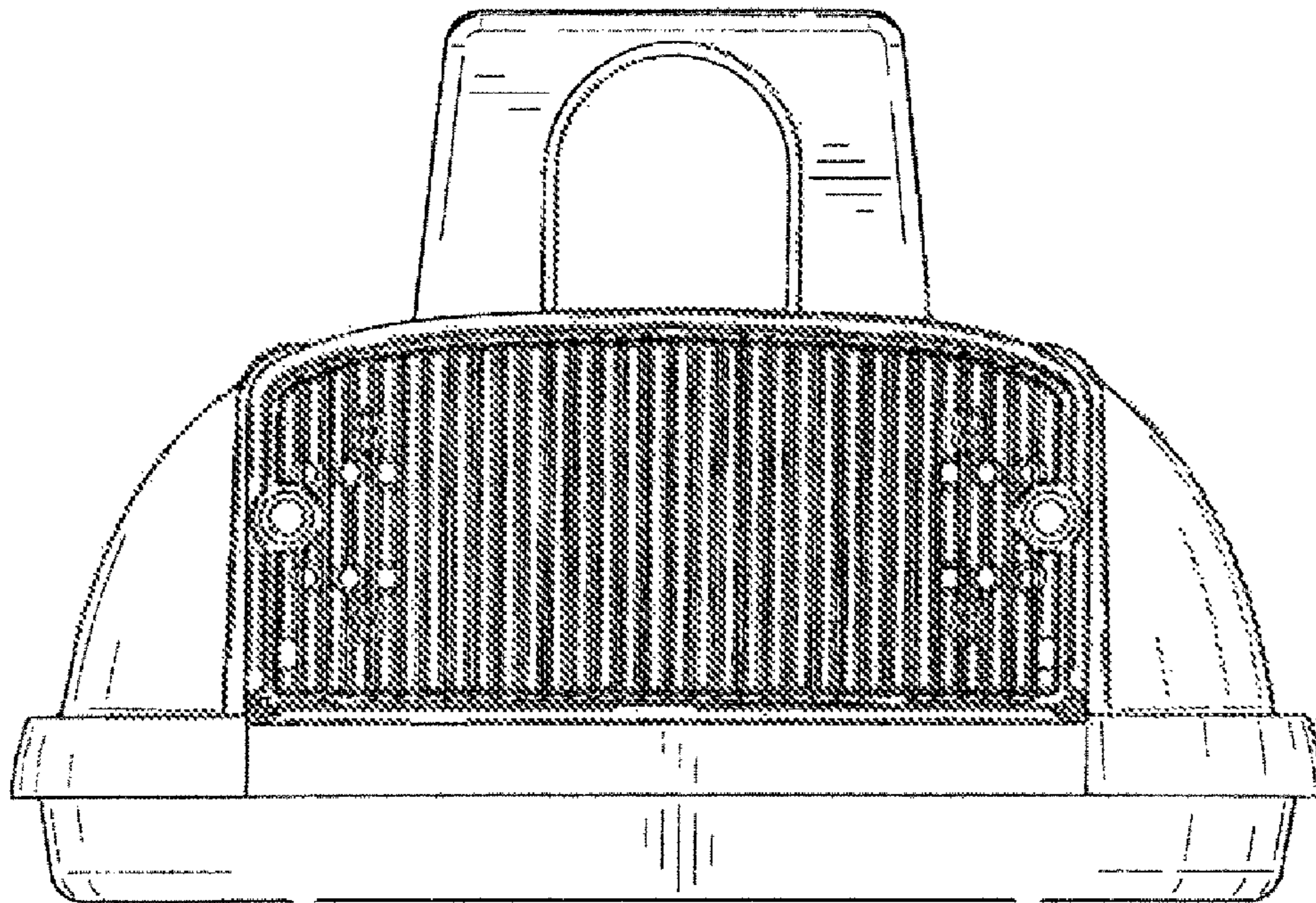


FIG. 2

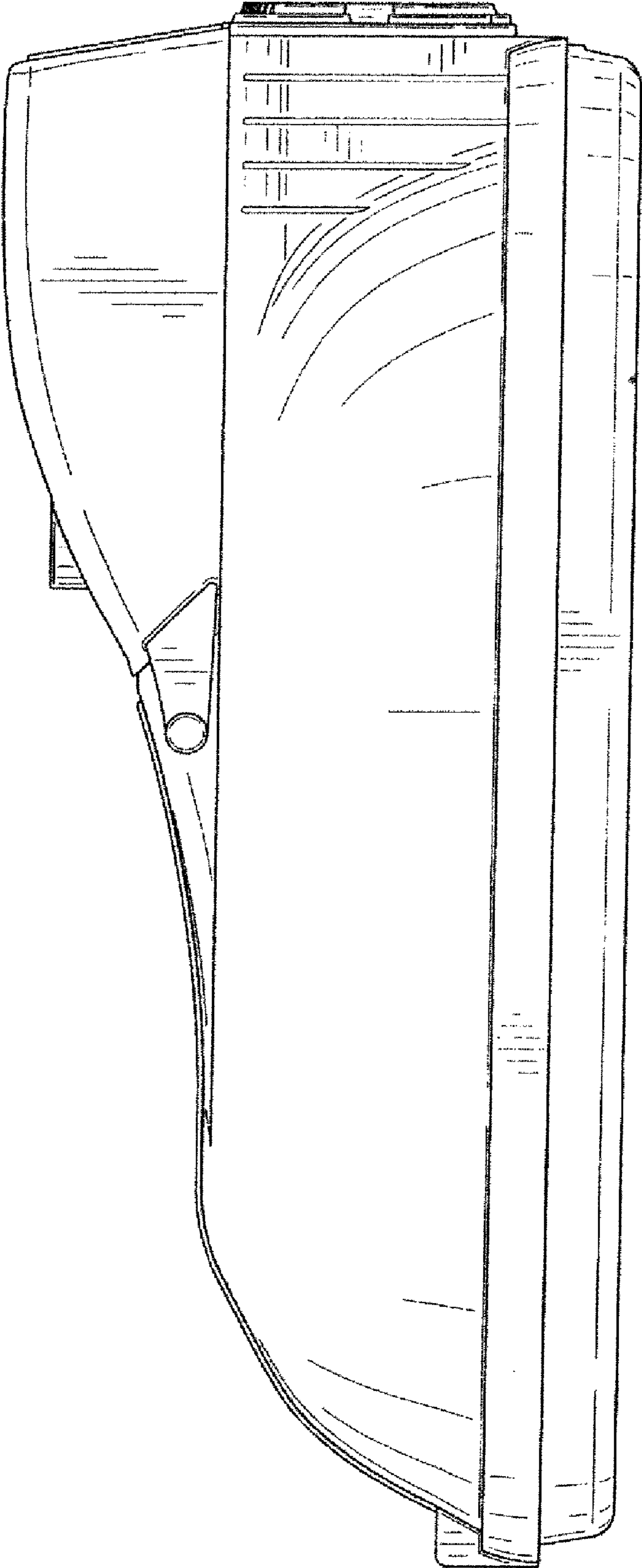


FIG. 3

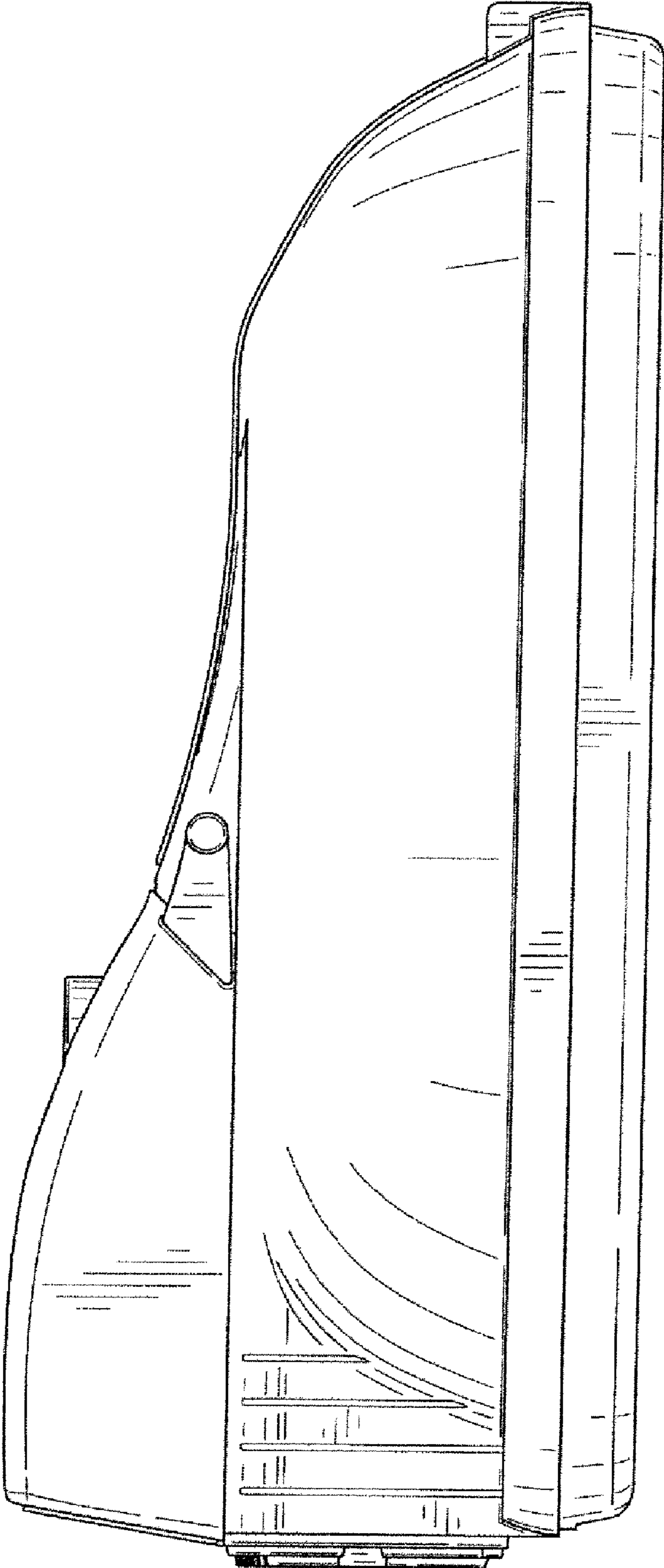


FIG. 4

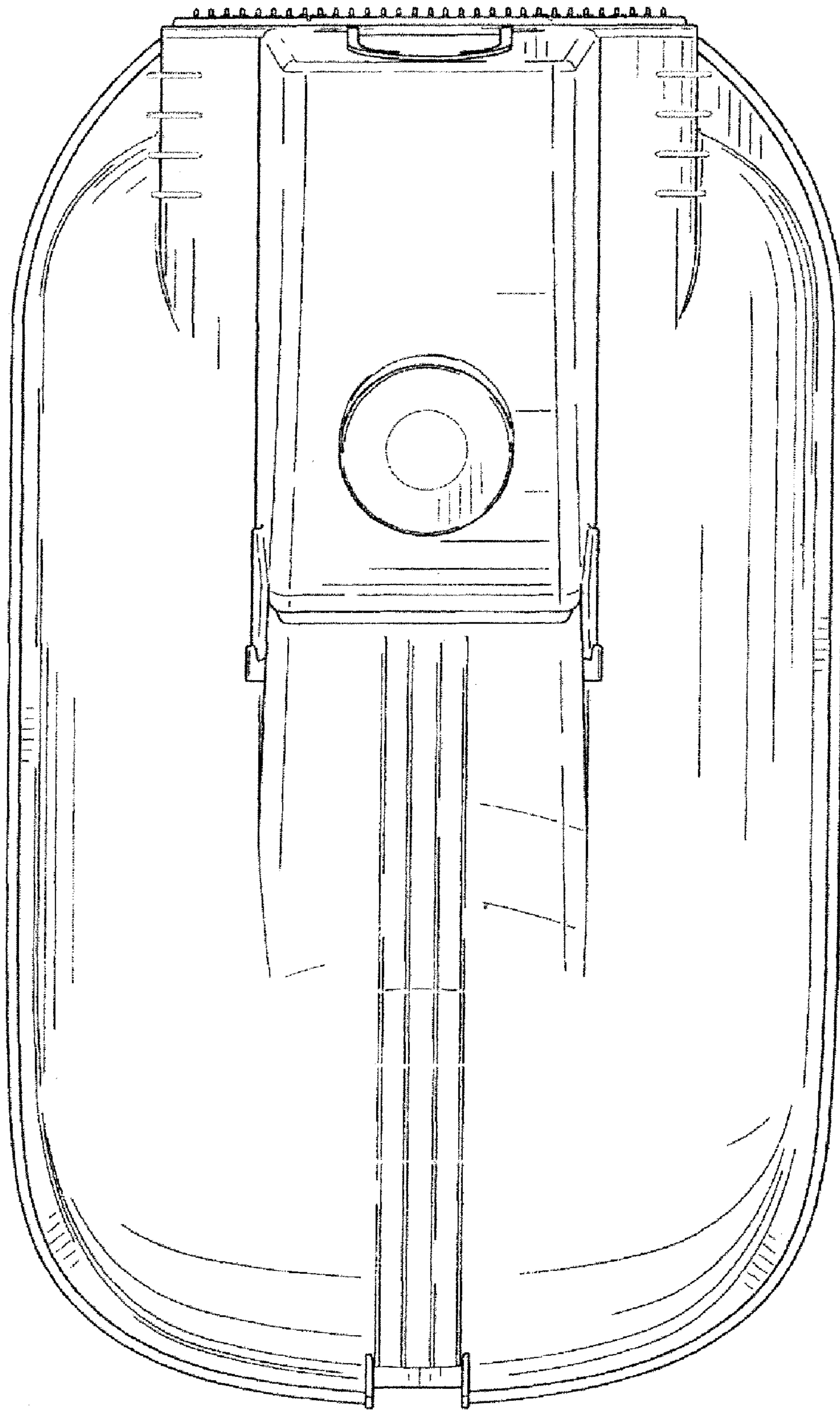


FIG. 5

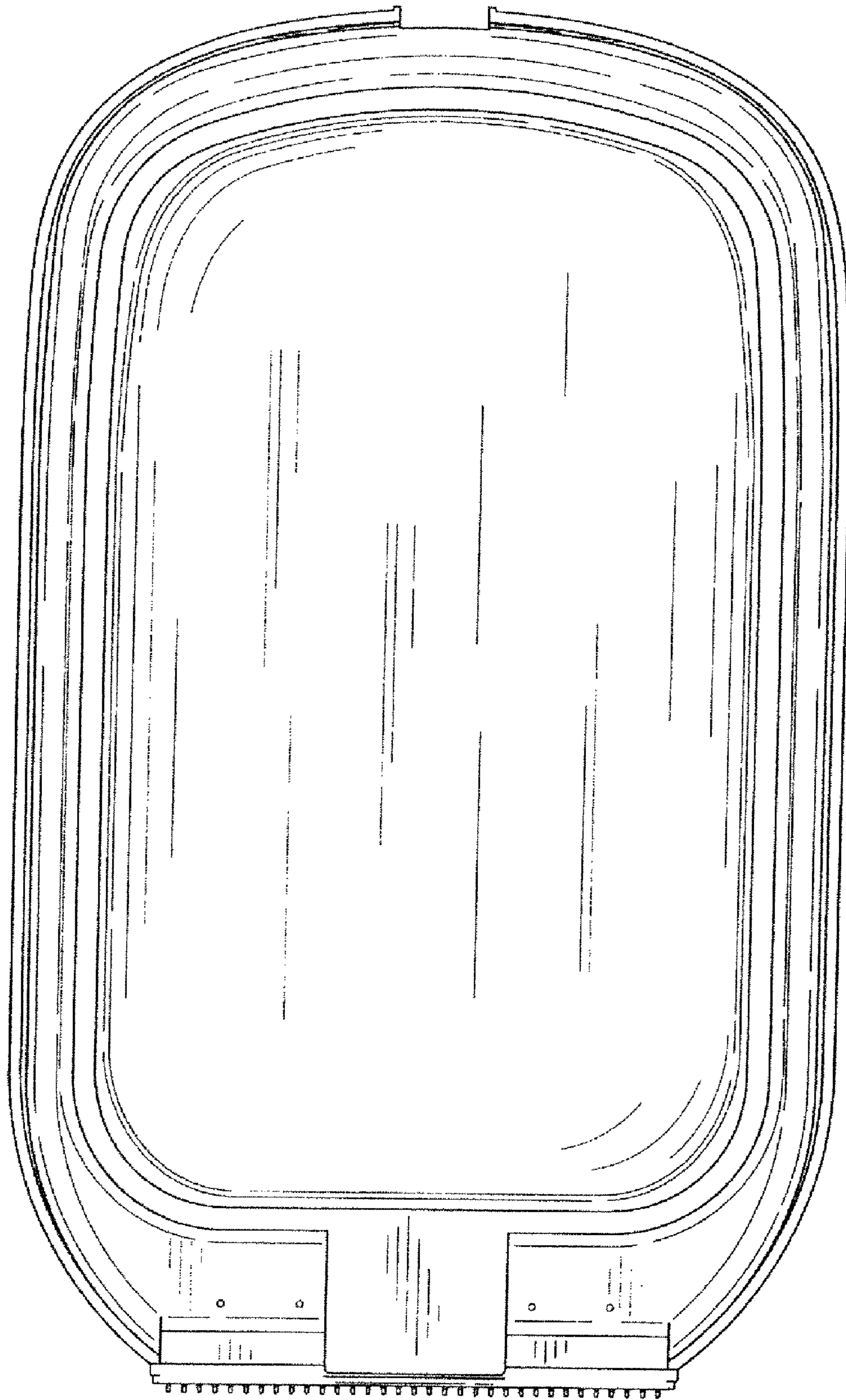


FIG. 6