



US00D624684S

(12) **United States Design Patent**  
**Hemby**

(10) **Patent No.:** **US D624,684 S**

(45) **Date of Patent:** **\*\* Sep. 28, 2010**

(54) **LIGHT HOUSING**

(75) Inventor: **William Hemby**, Baltimore, MD (US)

(73) Assignee: **Halorion Lighting and Security Systems, LLC**, Baltimore, MD (US)

(\*\*) Term: **14 Years**

(21) Appl. No.: **29/327,097**

(22) Filed: **Oct. 30, 2008**

(51) **LOC (9) Cl.** ..... **26-05**

(52) **U.S. Cl.** ..... **D26/71**

(58) **Field of Classification Search** ..... 362/152–153.1,  
362/183, 235, 249.02, 249.03, 249.14, 294,  
362/373, 432; D26/63, 67–72, 84, 85, 92  
See application file for complete search history.

(56) **References Cited**

**U.S. PATENT DOCUMENTS**

|               |         |               |       |         |
|---------------|---------|---------------|-------|---------|
| D38,832 S *   | 9/1907  | Lederer       | ..... | D26/71  |
| D176,062 S *  | 11/1955 | Calmes        | ..... | D26/63  |
| D191,128 S *  | 8/1961  | Curtin et al. | ..... | D26/67  |
| D209,394 S *  | 11/1967 | deMan         | ..... | D22/122 |
| D210,798 S *  | 4/1968  | Hewson        | ..... | D26/67  |
| D230,071 S *  | 1/1974  | Anderson, Jr. | ..... | D26/67  |
| 4,010,362 A * | 3/1977  | Fletcher      | ..... | 362/375 |

|                   |        |           |       |            |
|-------------------|--------|-----------|-------|------------|
| 4,160,286 A *     | 7/1979 | Merritt   | ..... | 362/311.04 |
| D378,437 S *      | 3/1997 | Togno     | ..... | D26/92     |
| D573,289 S *      | 7/2008 | Xu et al. | ..... | D26/67     |
| 2009/0073689 A1 * | 3/2009 | Patrick   | ..... | 362/234    |

\* cited by examiner

*Primary Examiner*—Clare E Heflin

(74) *Attorney, Agent, or Firm*—Sughrue Mion, PLLC

(57) **CLAIM**

The ornamental design for a light housing, as shown and described.

**DESCRIPTION**

FIG. 1 is a perspective view of the top, front and right side of a light housing showing my new design;

FIG. 2 is a front elevational view thereof;

FIG. 3 is a rear elevational view thereof;

FIG. 4 is a right side elevational view thereof;

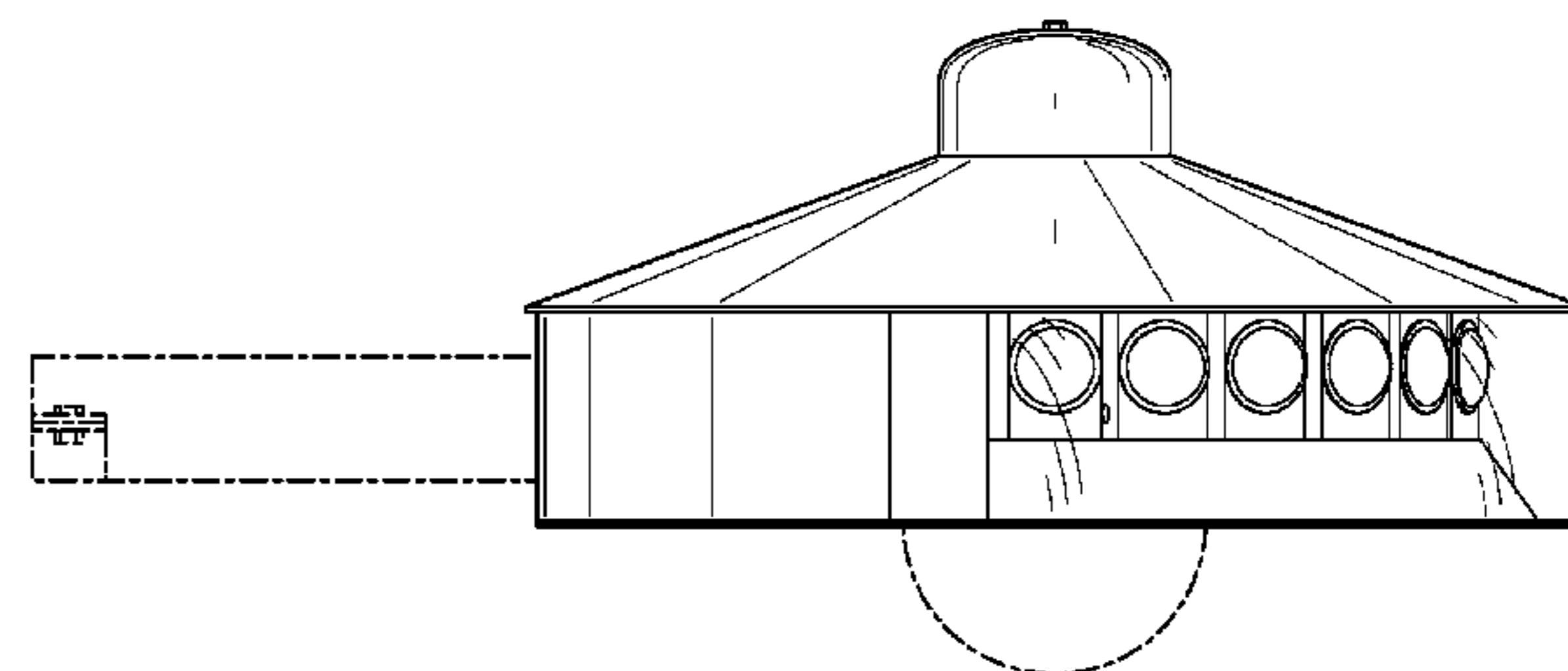
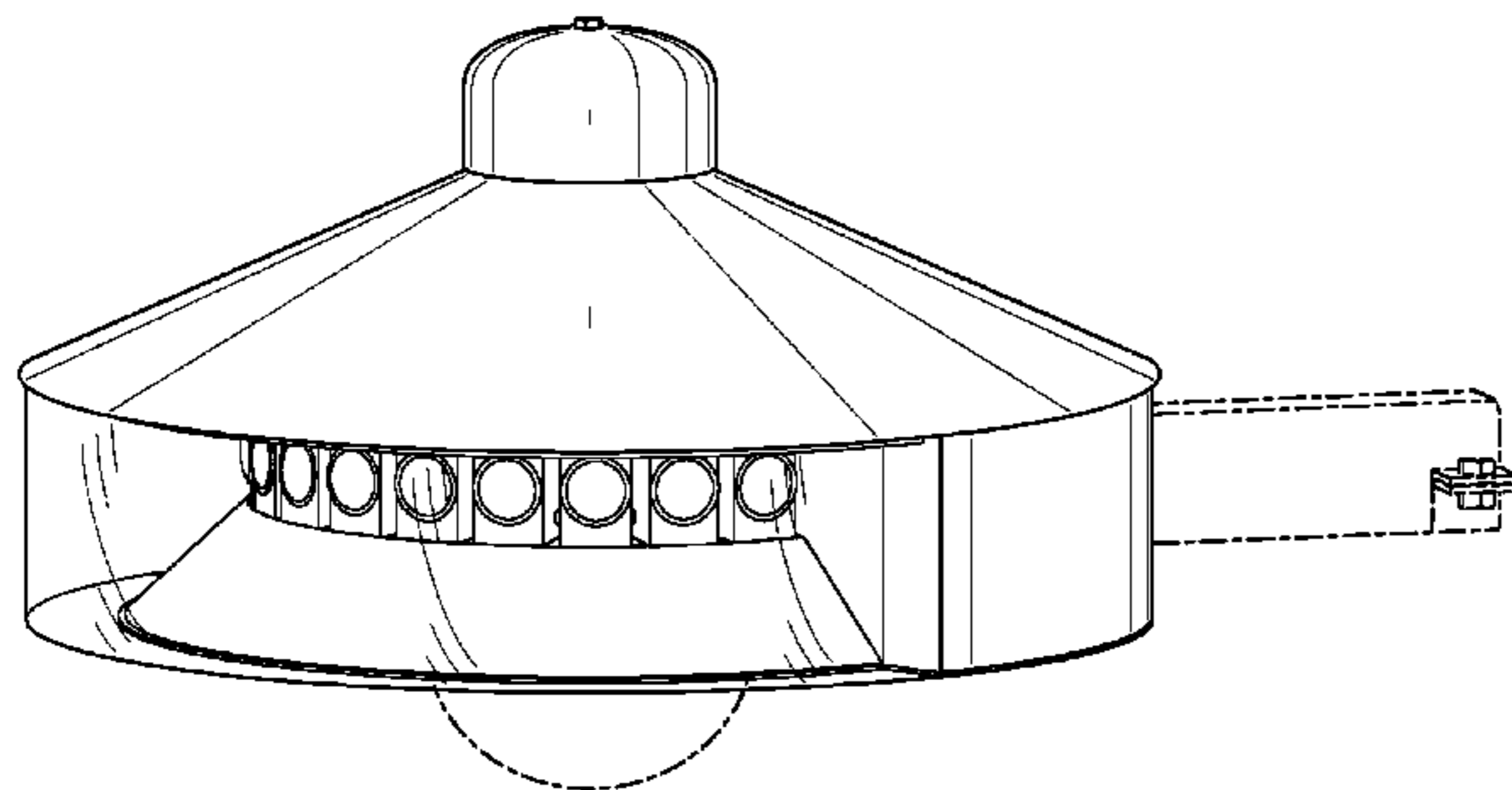
FIG. 5 is a left side elevational view thereof;

FIG. 6 is a top plan view thereof; and,

FIG. 7 is a bottom plan view thereof.

The broken lines shown on the drawings depict portions of the light housing that form no part of the claimed design.

**1 Claim, 7 Drawing Sheets**



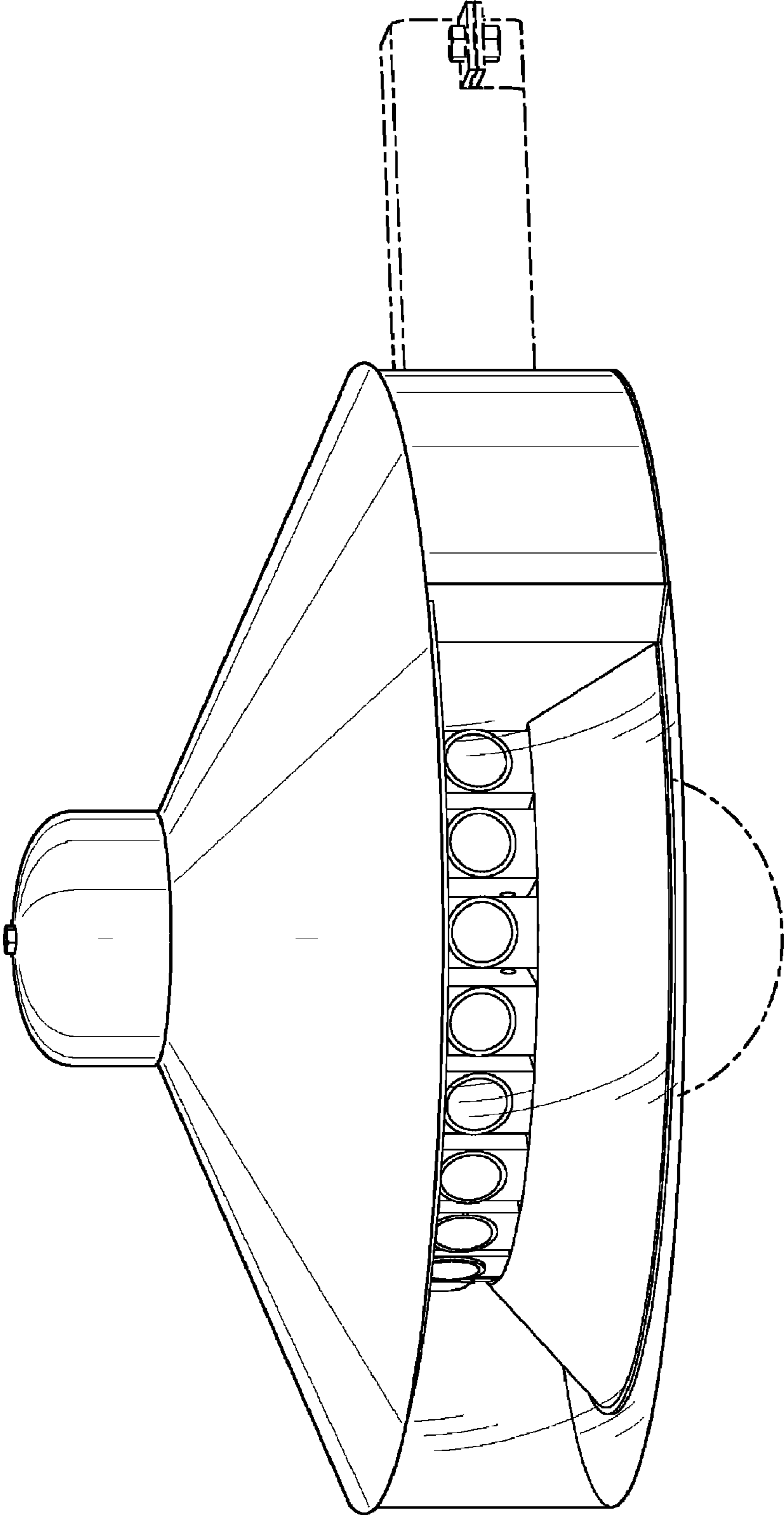


FIG. 1

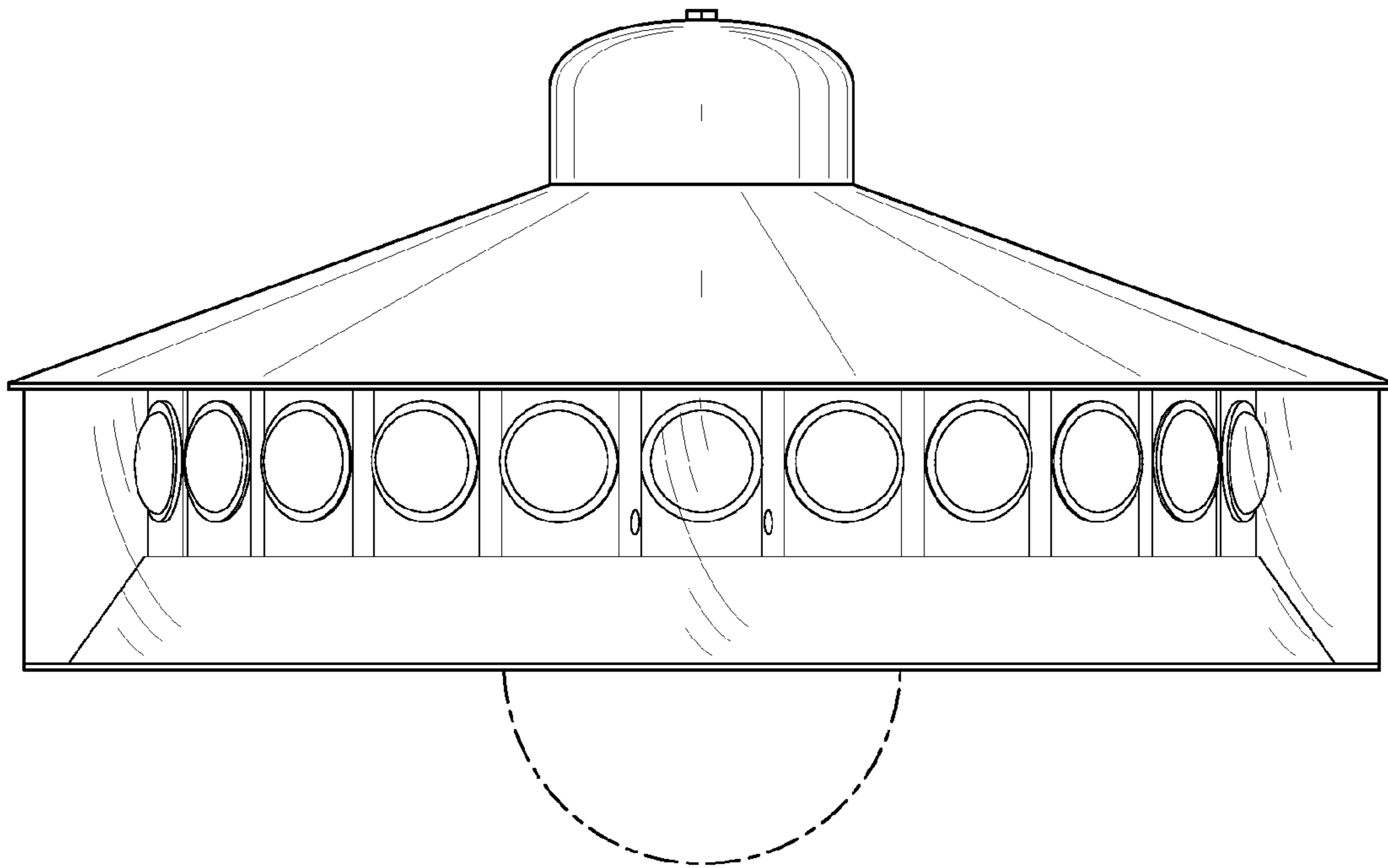


FIG. 2

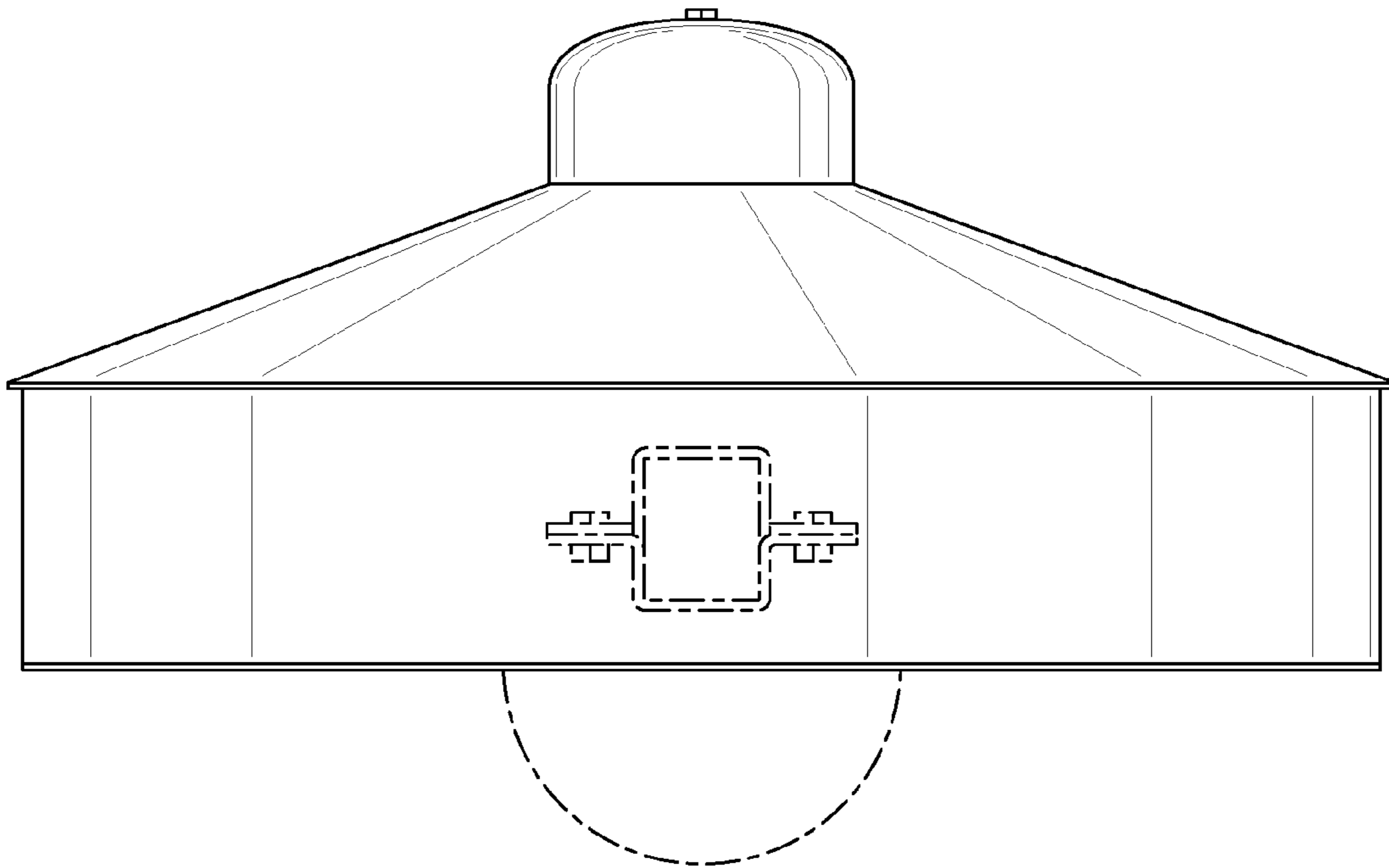


FIG. 3

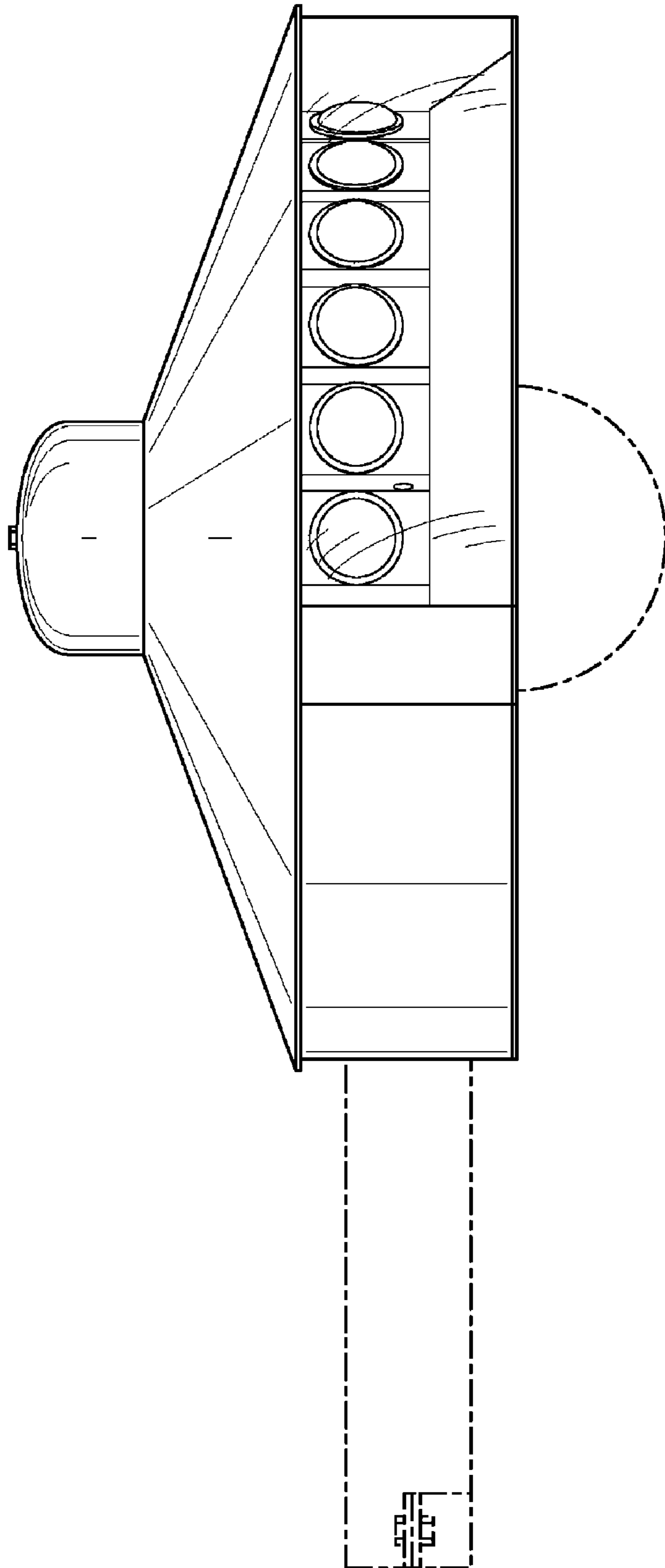


FIG. 4

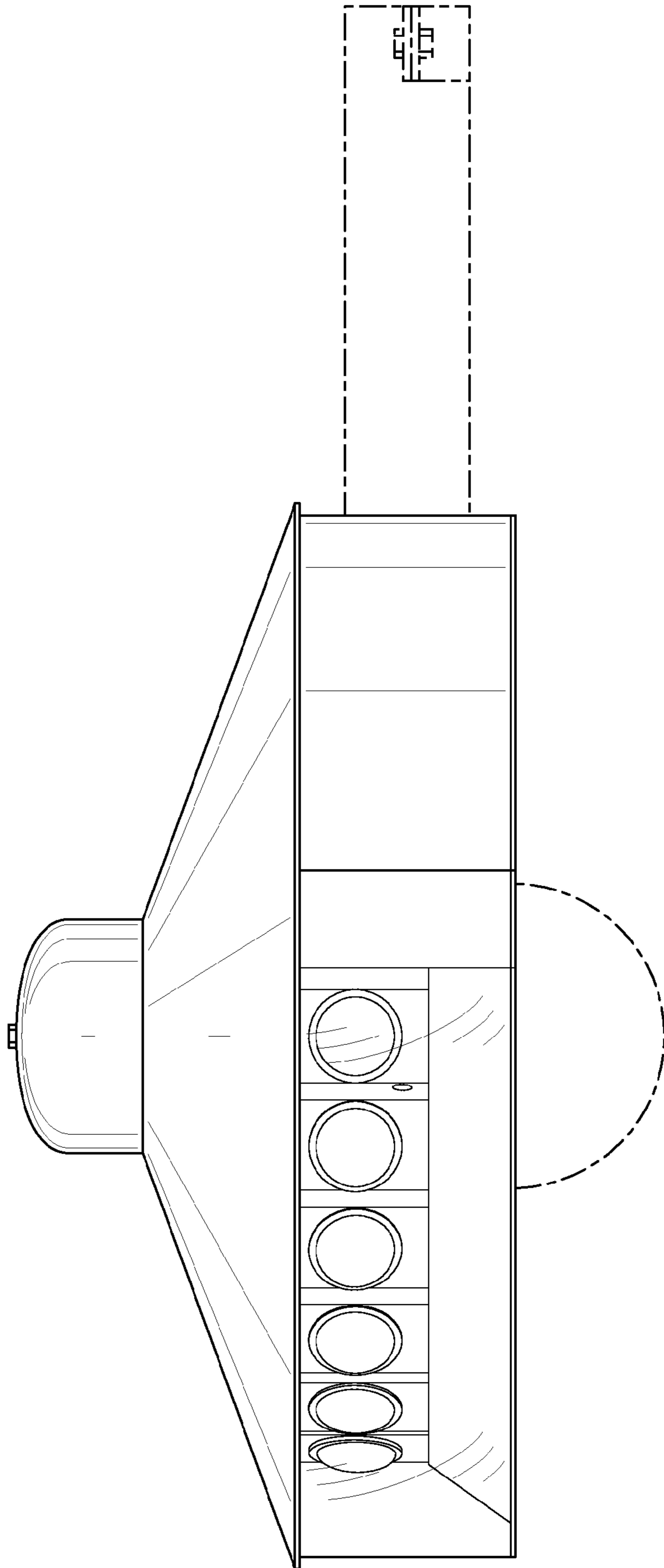


FIG. 5

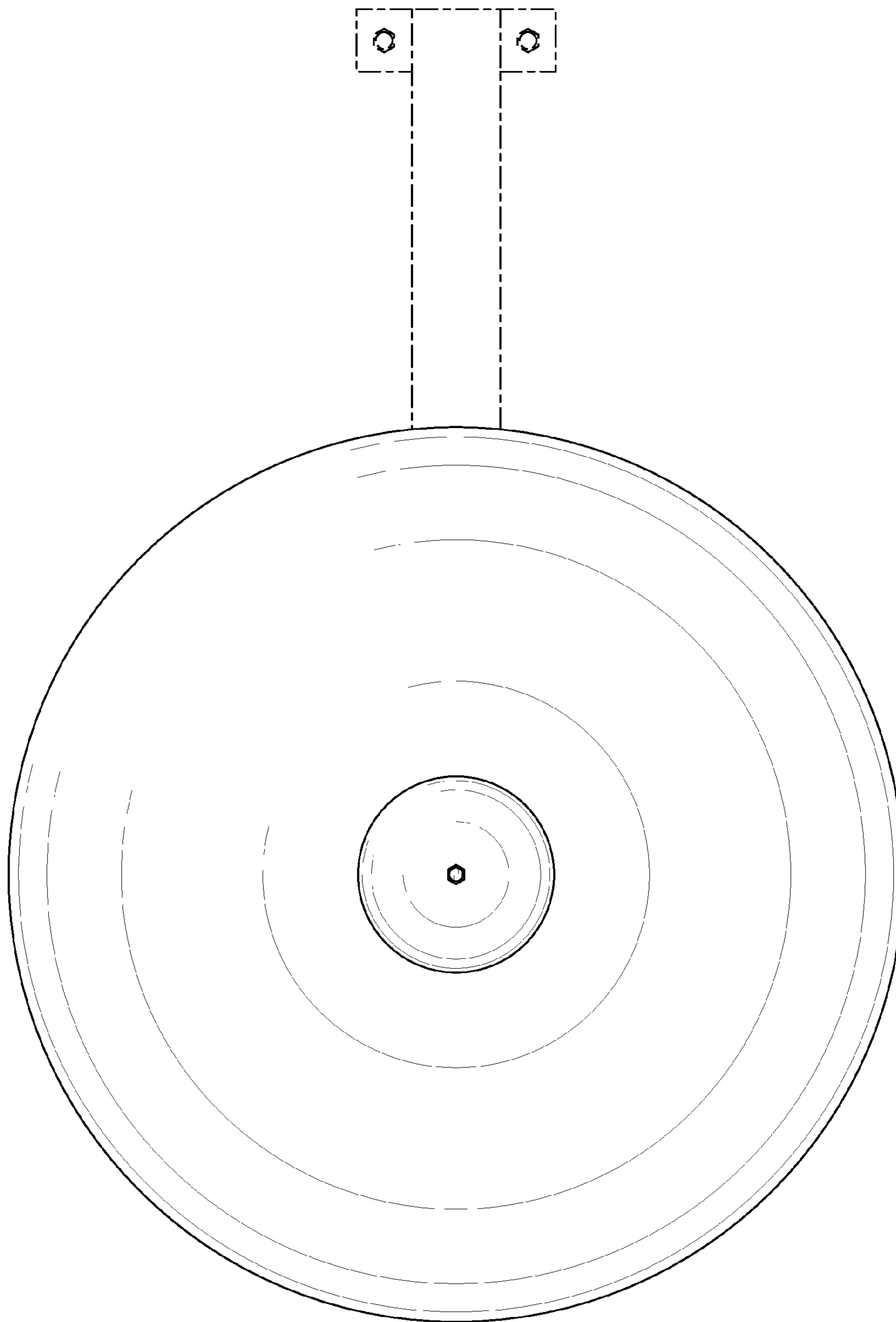


FIG. 6

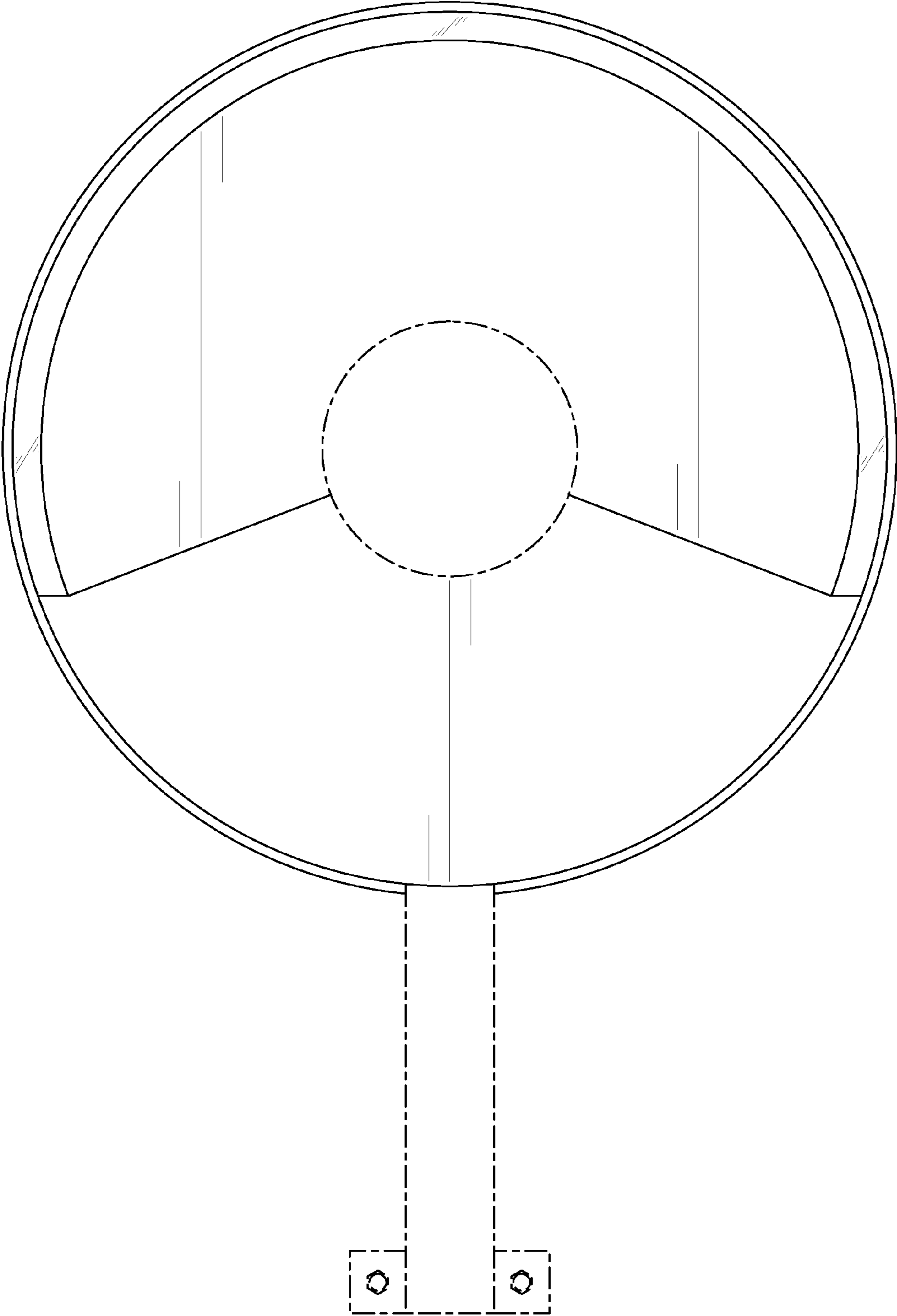


FIG. 7