



US00D624682S

(12) **United States Design Patent**  
**Ying et al.**

(10) **Patent No.:** **US D624,682 S**

(45) **Date of Patent:** **\*\* Sep. 28, 2010**

(54) **ENERGY SAVING FLOOD LIGHT**

(75) Inventors: **Yaping Ying**, Ningbo (CN); **Hu Fang**, Ningbo (CN)

(73) Assignee: **Ningbo Toolux Lighting Company Limited**, Ningbo (CN)

(\*\*) Term: **14 Years**

(21) Appl. No.: **29/337,380**

(22) Filed: **May 20, 2009**

(30) **Foreign Application Priority Data**

Nov. 20, 2008 (CN) ..... 2008 3 0284959

(51) **LOC (9) Cl.** ..... **26-05**

(52) **U.S. Cl.** ..... **D26/63**

(58) **Field of Classification Search** ..... D26/41, D26/60-66, 72, 81, 88-91; 362/285, 287, 362/418, 419, 427, 147, 269, 275, 291, 310, 362/311, 362, 296, 159, 187, 266  
See application file for complete search history.

(56) **References Cited**

**U.S. PATENT DOCUMENTS**

D565,772 S \* 4/2008 Guercio ..... D26/63  
D566,318 S \* 4/2008 Quiogue et al. .... D26/63  
D591,883 S \* 5/2009 Gill ..... D26/63

D596,777 S \* 7/2009 Gordin ..... D26/63  
D597,693 S \* 8/2009 Kauffman ..... D26/63  
D606,223 S \* 12/2009 Gordin ..... D26/63  
D606,690 S \* 12/2009 Orrom et al. .... D26/61

**OTHER PUBLICATIONS**

U.S. Appl. No. 29/337,378, filed May 20, 2009, for Hu Fang.  
U.S. Appl. No. 29/337,379, filed May 20, 2009, for Hu Fang.  
U.S. Appl. No. 29/337,382, filed May 20, 2009, for Hu Fang.

\* cited by examiner

*Primary Examiner*—Mitchell I Siegel

(74) *Attorney, Agent, or Firm*—Morrison & Foerster LLP

(57) **CLAIM**

The ornamental design for an energy saving flood light, as shown and described.

**DESCRIPTION**

FIG. 1 is a front view of an energy saving flood light showing my new design;

FIG. 2 is a rear (back) view thereof;

FIG. 3 is a left-side view thereof;

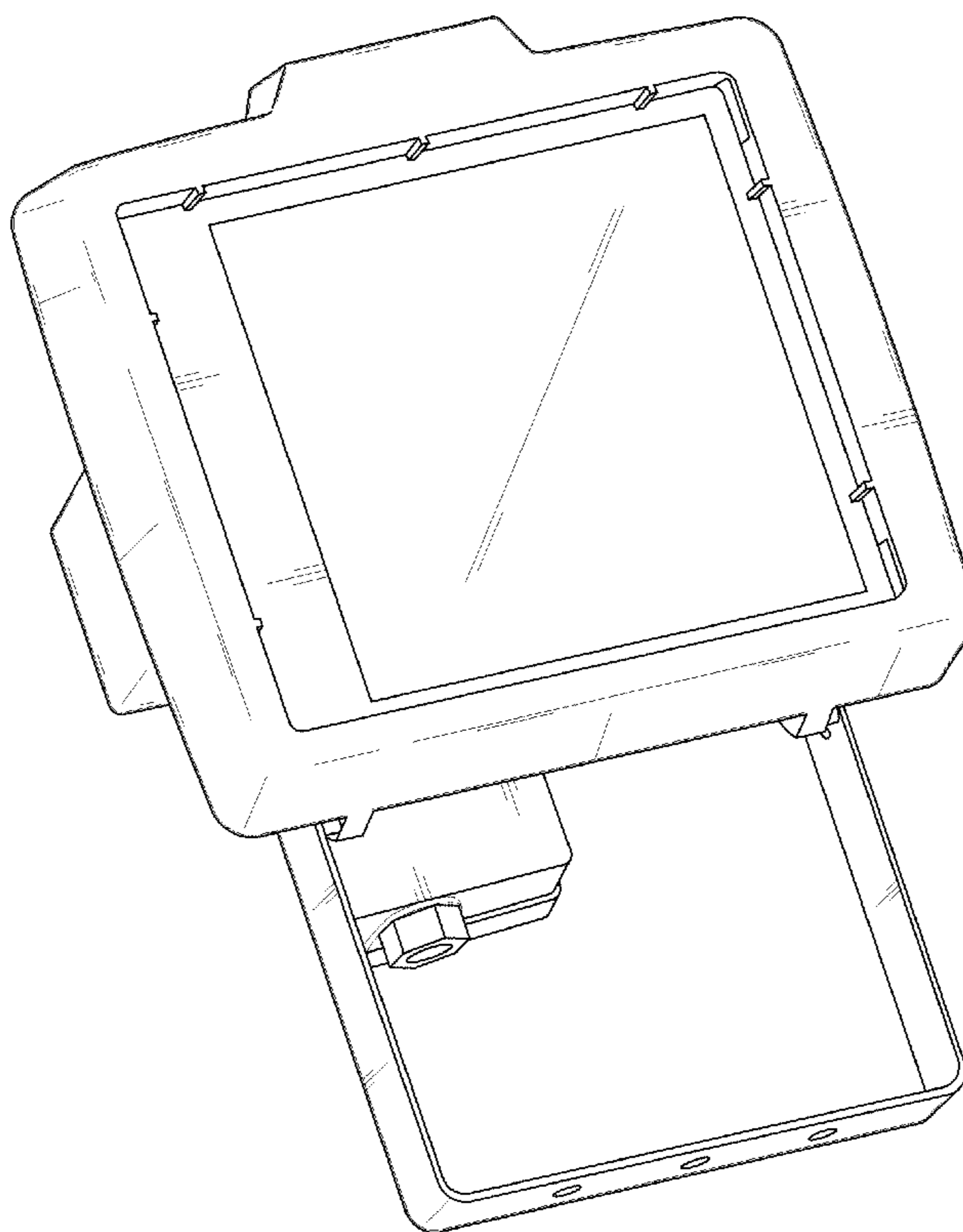
FIG. 4 is a right-side view thereof;

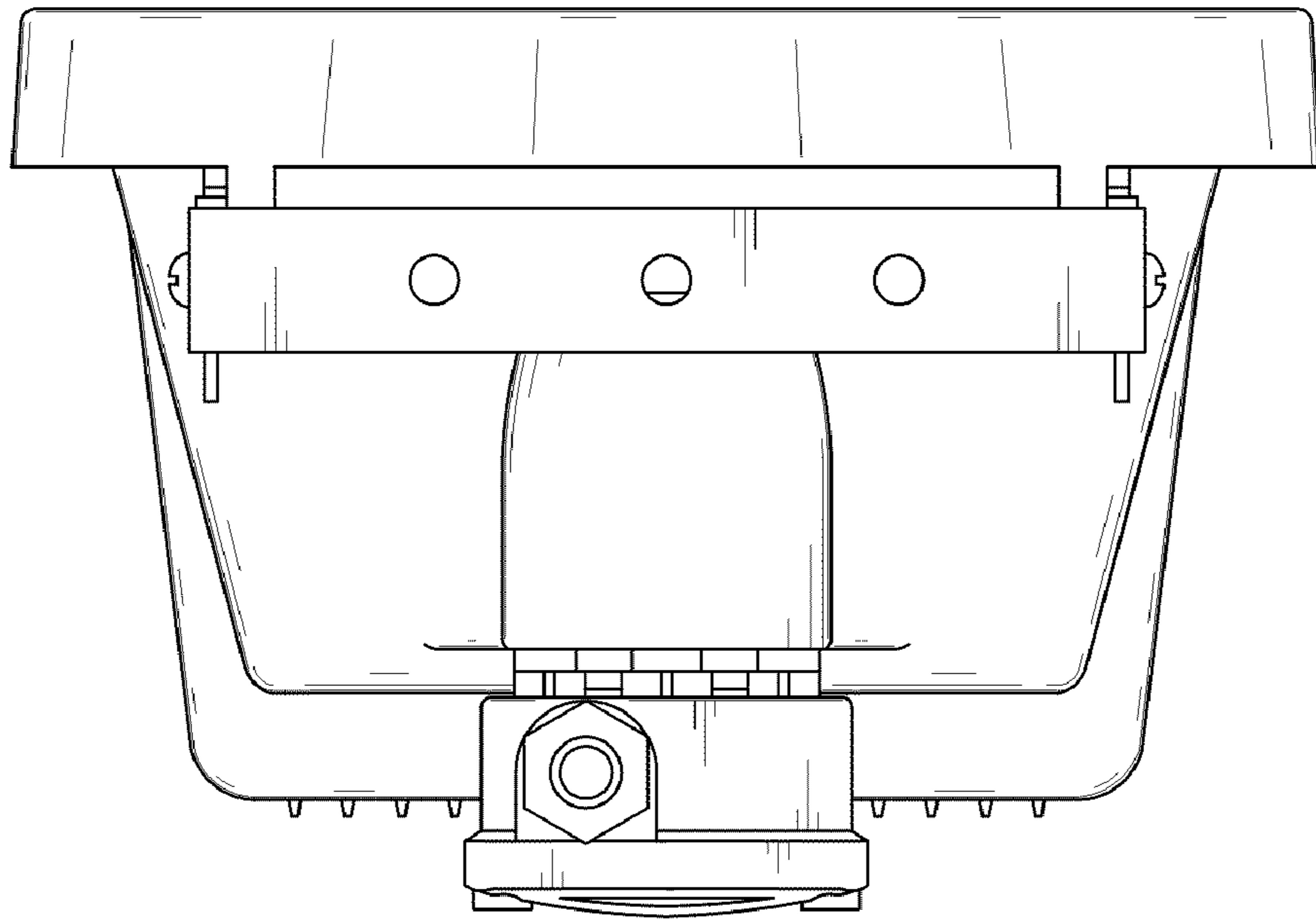
FIG. 5 is a top view thereof;

FIG. 6 is a bottom view thereof; and,

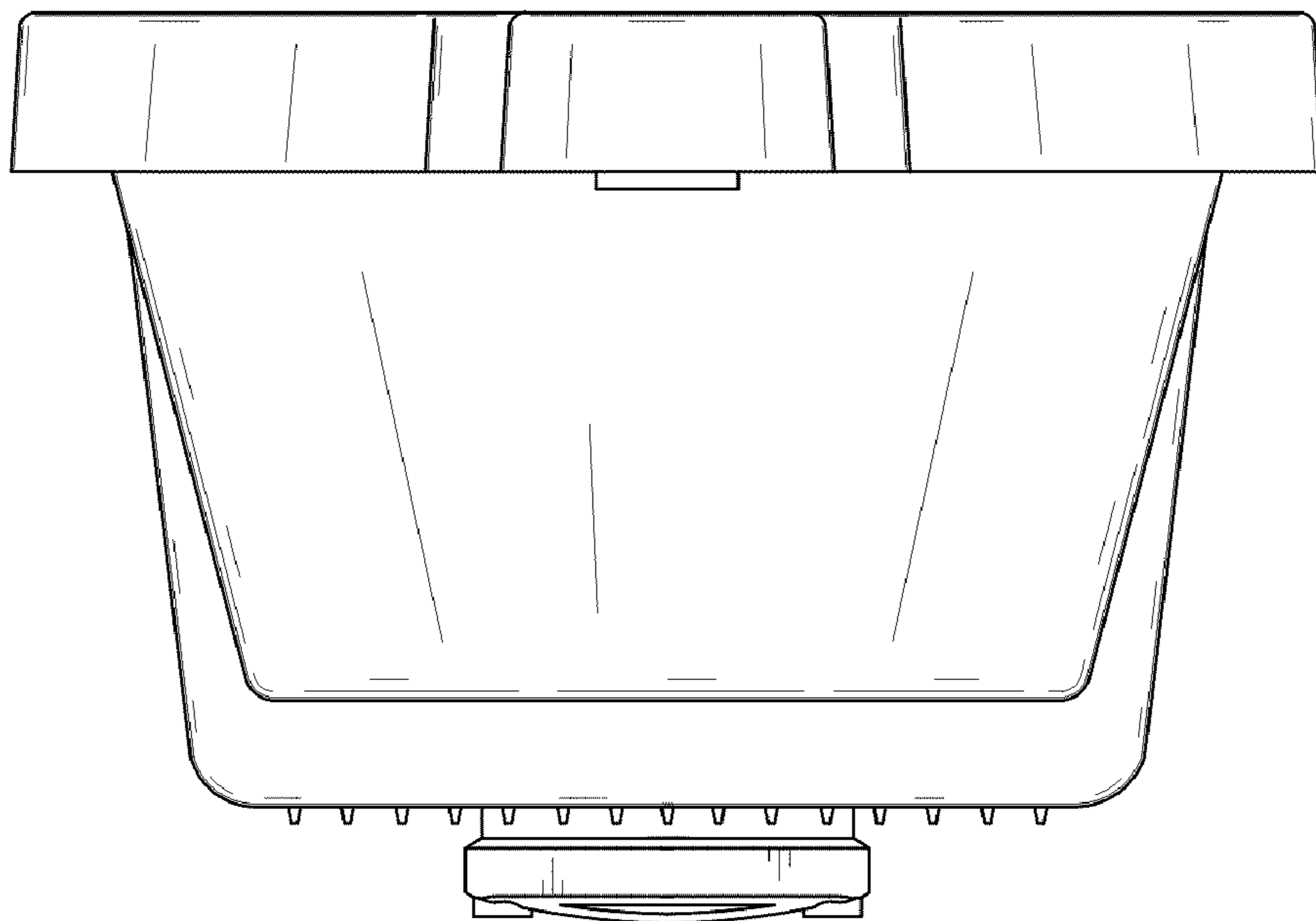
FIG. 7 is a top perspective view thereof.

**1 Claim, 5 Drawing Sheets**

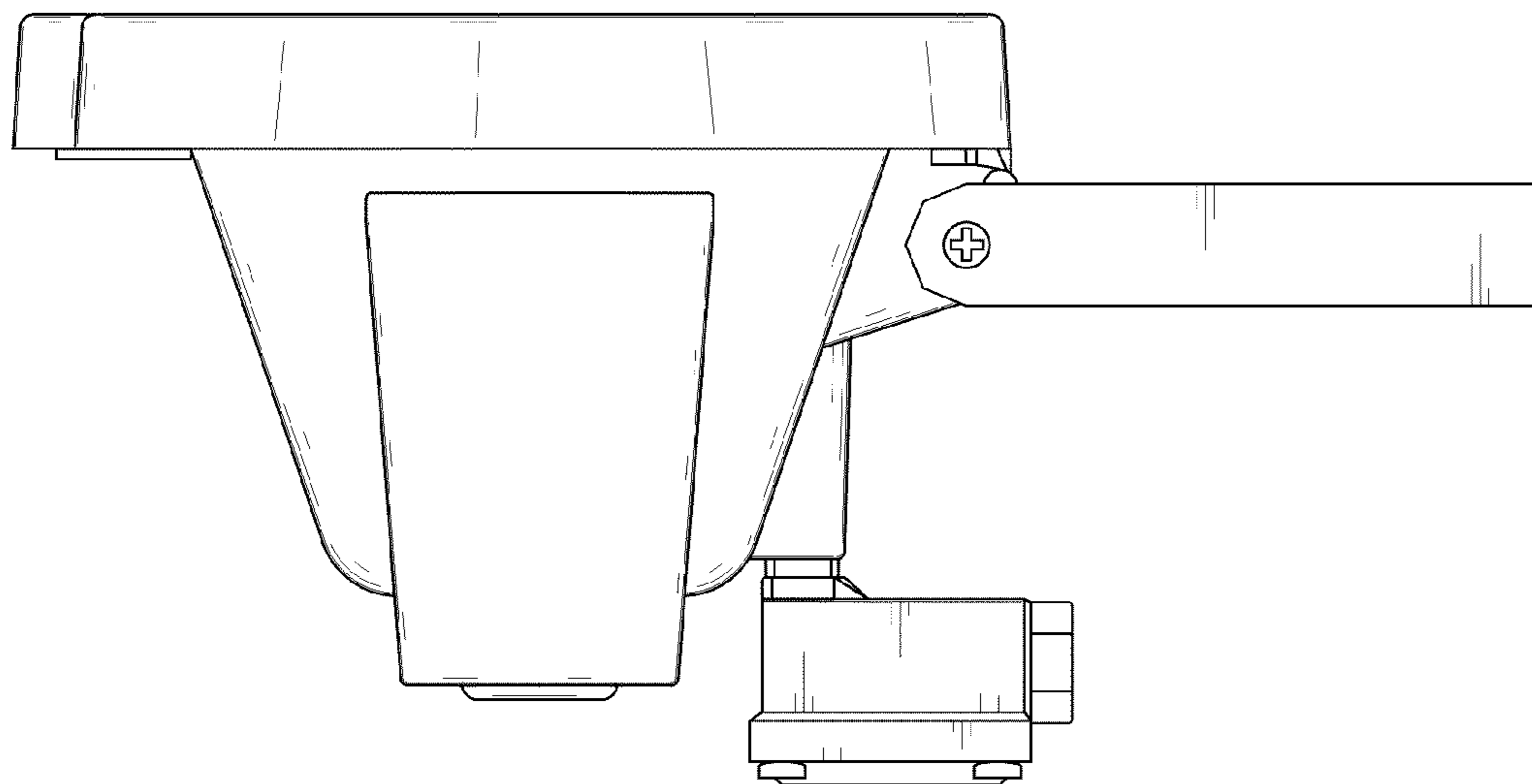




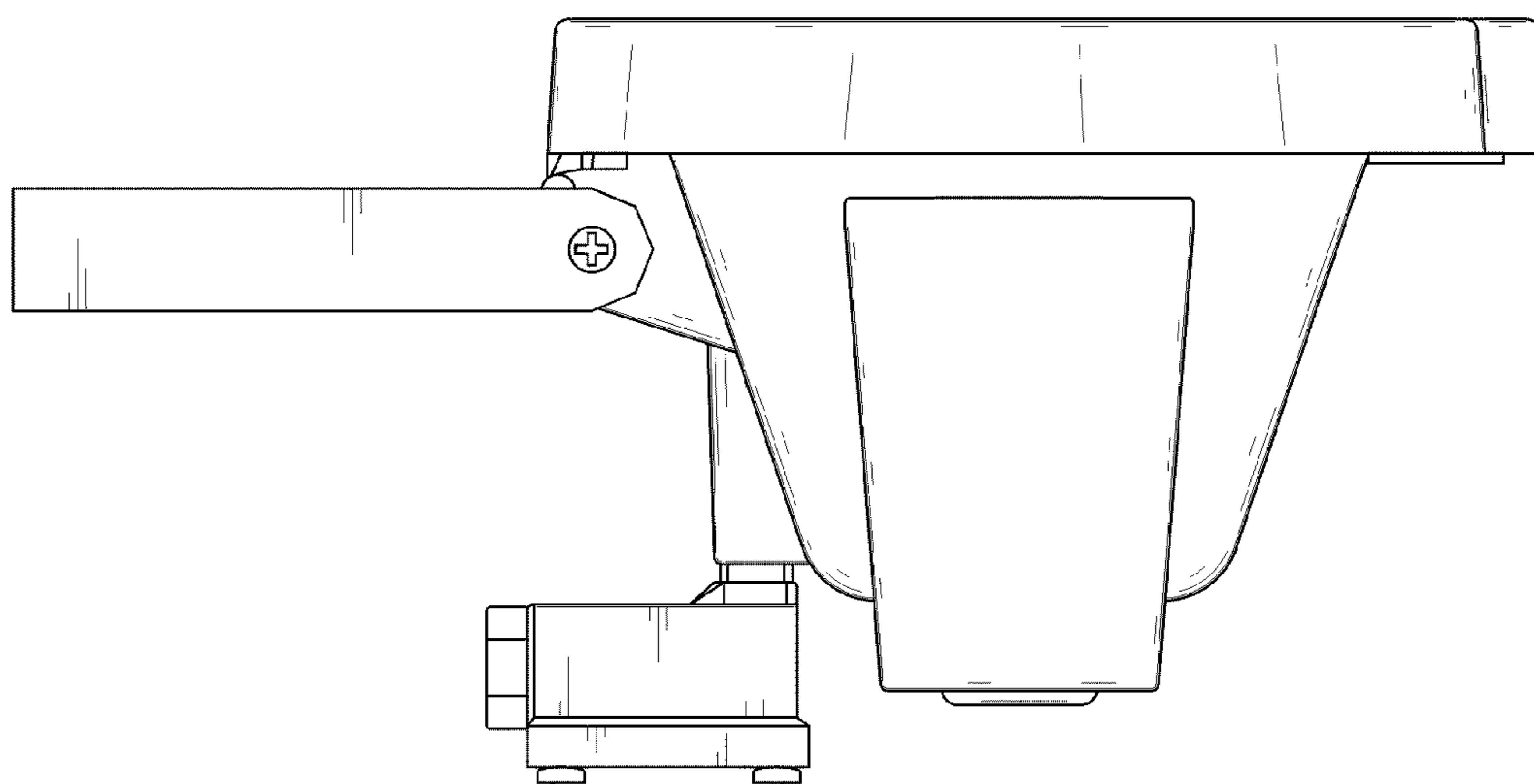
*FIG. 1*



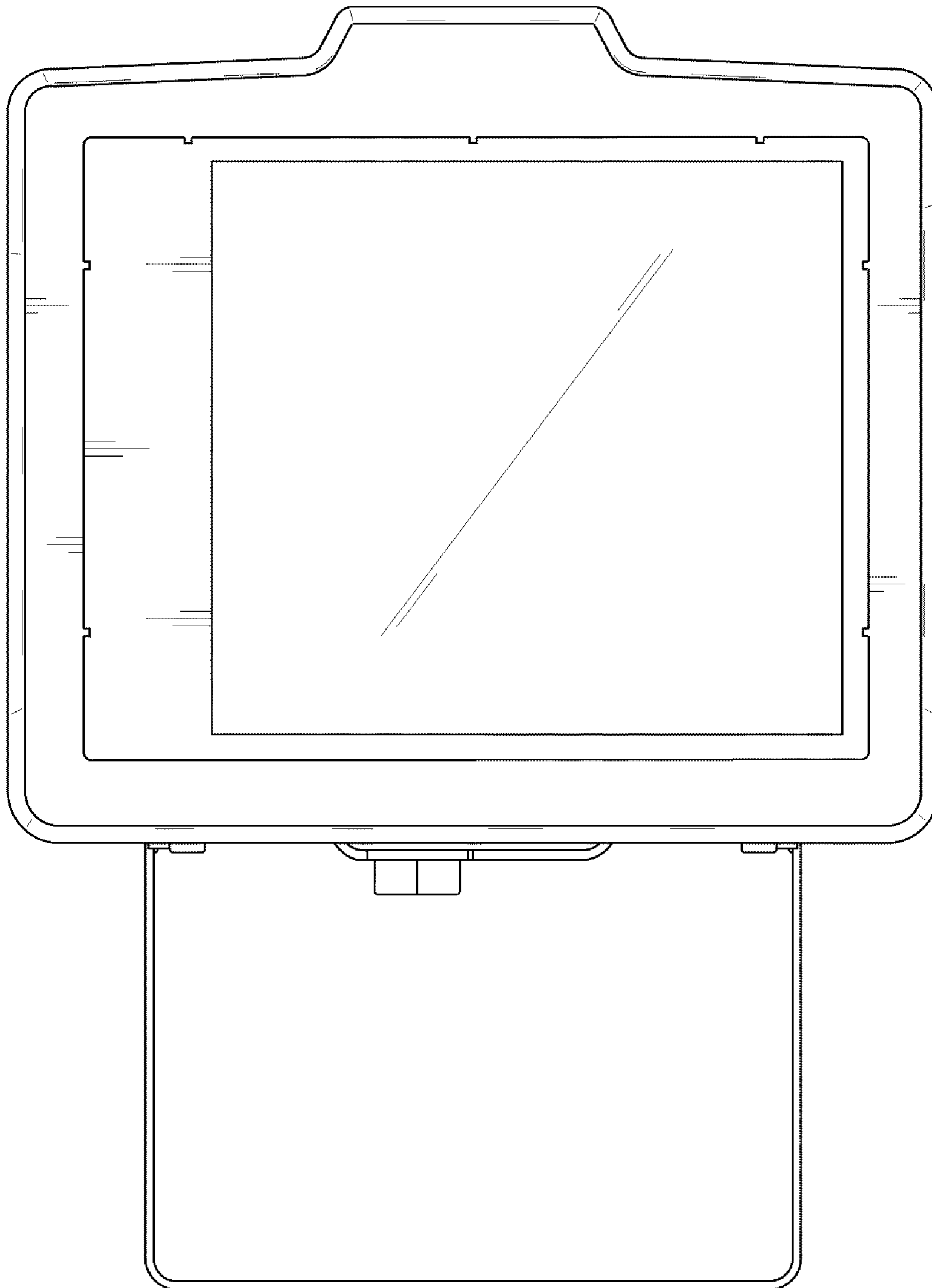
*FIG. 2*



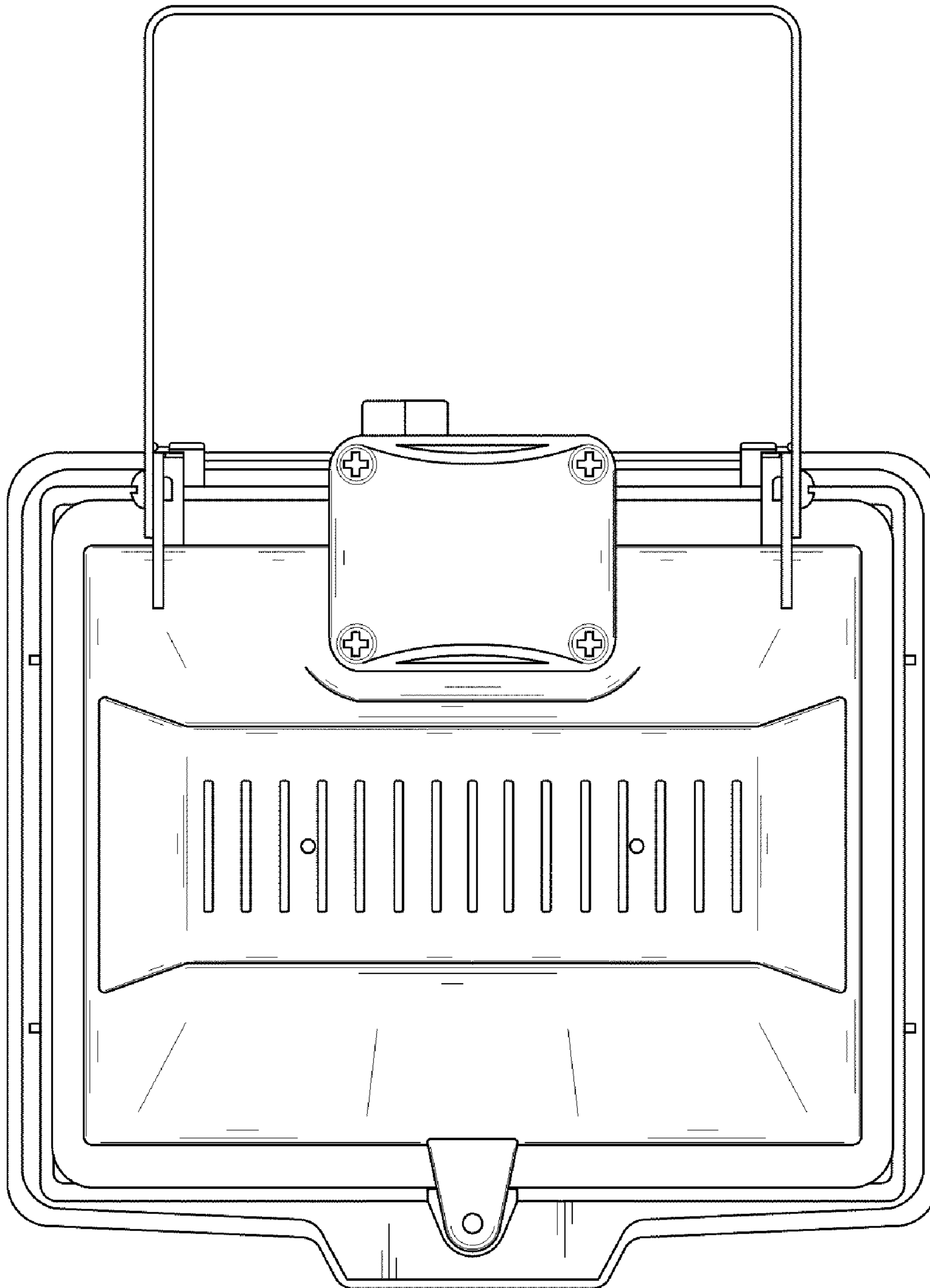
*FIG. 3*



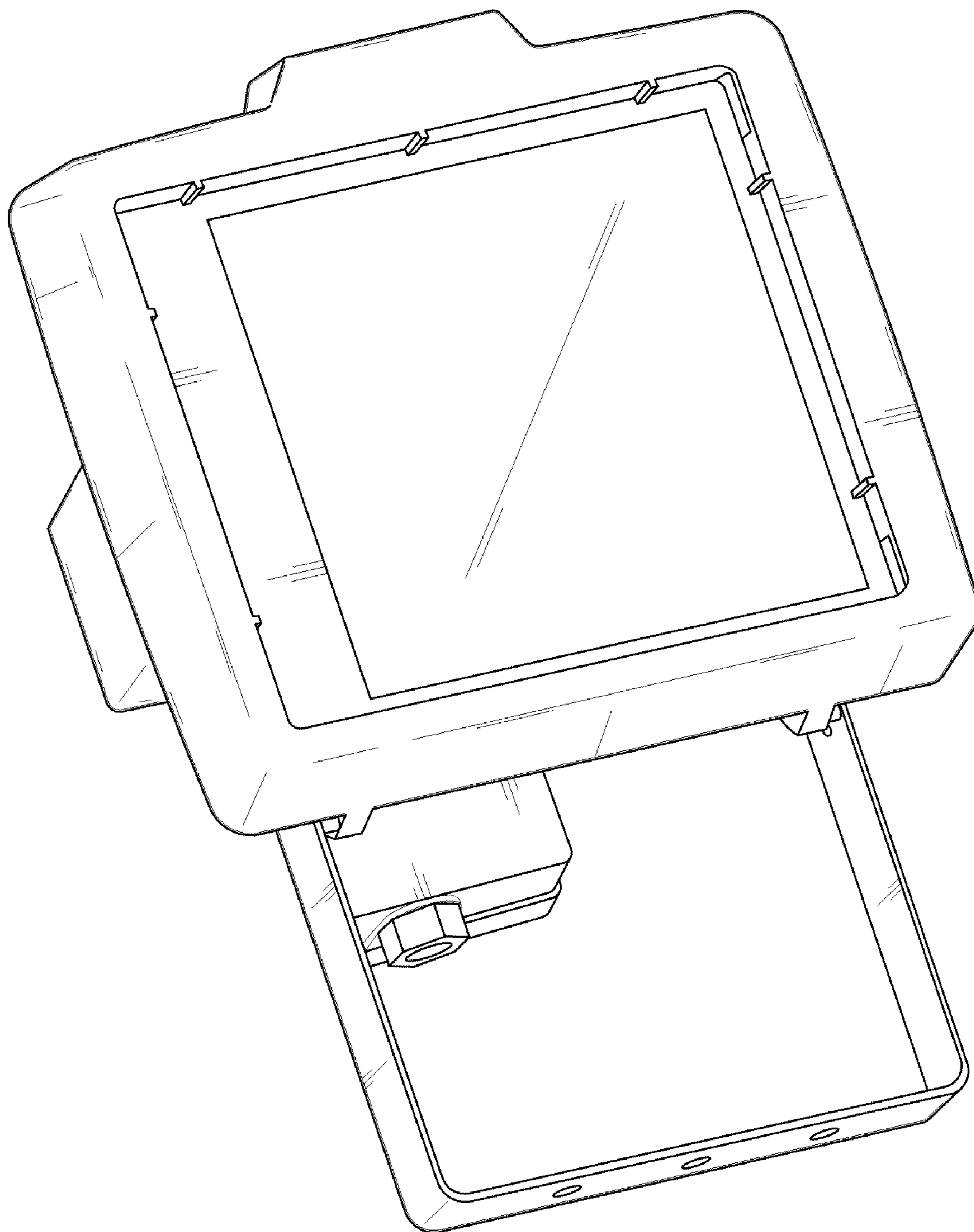
*FIG. 4*



**FIG. 5**



**FIG. 6**



**FIG. 7**