

US00D624679S

(12) **United States Design Patent**
Lutz et al.

(10) **Patent No.:** **US D624,679 S**

(45) **Date of Patent:** **** Sep. 28, 2010**

(54) **HANGING LAMP FOUNTAIN**

D521,106 S * 5/2006 Harbaugh D23/201
D527,484 S * 8/2006 Fussell et al. D26/96

(76) Inventors: **Frank Lutz**, 1599 Holly Fork Rd.,
Morehead, KY (US) 40351; **Jon Turan**,
2017 Timbercove Ct., Weatherford, TX
(US) 76087

* cited by examiner

Primary Examiner—Brian N Vinson
(74) *Attorney, Agent, or Firm*—Charles D. Gunter, Jr.

(**) Term: **14 Years**

(57) **CLAIM**

(21) Appl. No.: **29/344,630**

The ornamental design for a hanging lamp fountain, as shown
and described.

(22) Filed: **Oct. 1, 2009**

(51) **LOC (9) Cl.** **26-03**

DESCRIPTION

(52) **U.S. Cl.** **D26/51**; D26/96; D23/201

(58) **Field of Classification Search** D26/1,
D26/24, 67, 93–96, 104–110, 51; 362/3,
362/153, 186, 217, 255, 257, 277, 317, 351,
362/353, 362, 363, 382, 431, 433, 458, 806;
D23/201; 239/17–21

FIG. 1 is a front perspective view of the hanging lamp fountain;

FIG. 2 is a front view of the hanging lamp fountain of FIG. 1;
FIG. 3 is a left side view of the hanging lamp fountain of the
invention;

See application file for complete search history.

FIG. 4 is a right side view of the hanging lamp fountain of the
invention;

(56) **References Cited**

U.S. PATENT DOCUMENTS

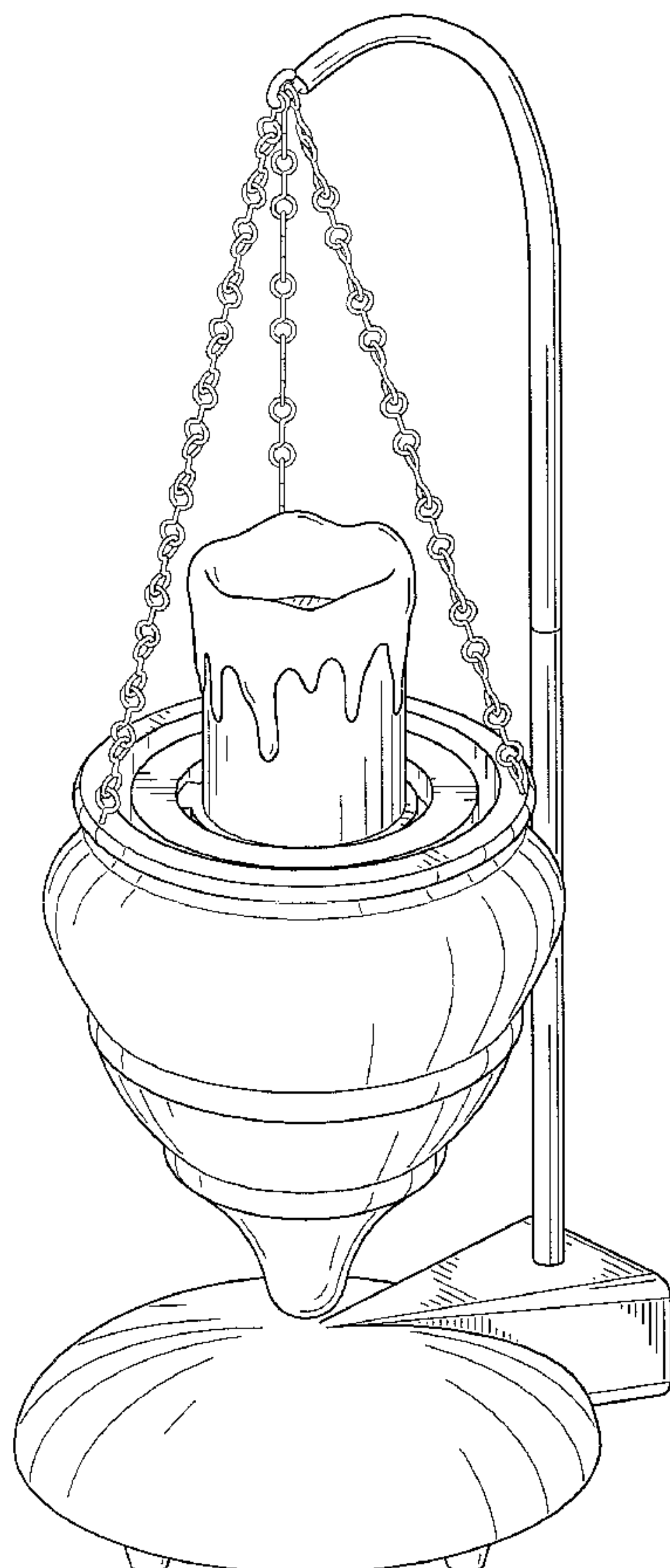
D240,262 S * 6/1976 Dalgaard-Hansen D26/102
D253,298 S * 10/1979 Rosero D23/201
D454,612 S * 3/2002 Chang D23/201
D477,684 S * 7/2003 Limber et al. D26/96
D491,250 S * 6/2004 Raymond et al. D23/201

FIG. 5 is a rear view of the hanging lamp fountain;

FIG. 6 is a top view of the hanging lamp fountain; and,

FIG. 7 is a bottom view of the hanging lamp fountain of the
invention.

1 Claim, 6 Drawing Sheets



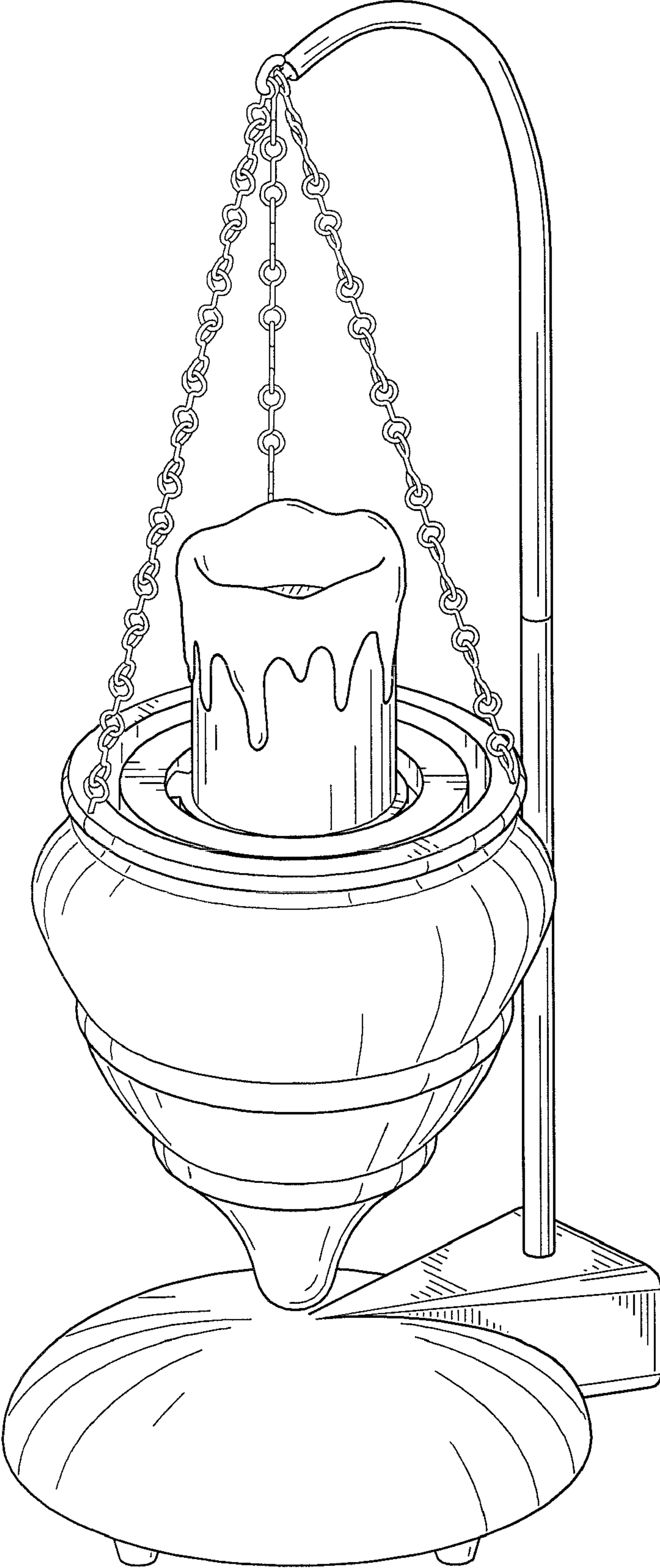


FIG. 1

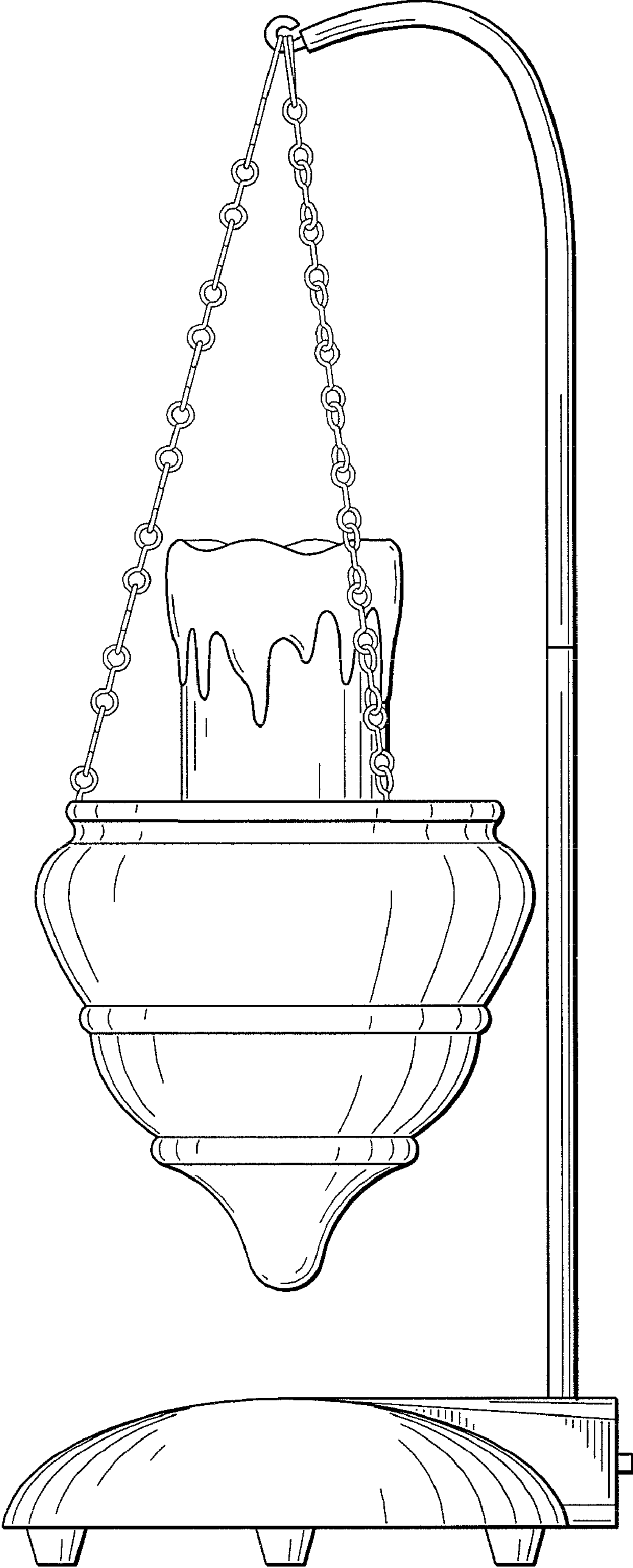


FIG. 3

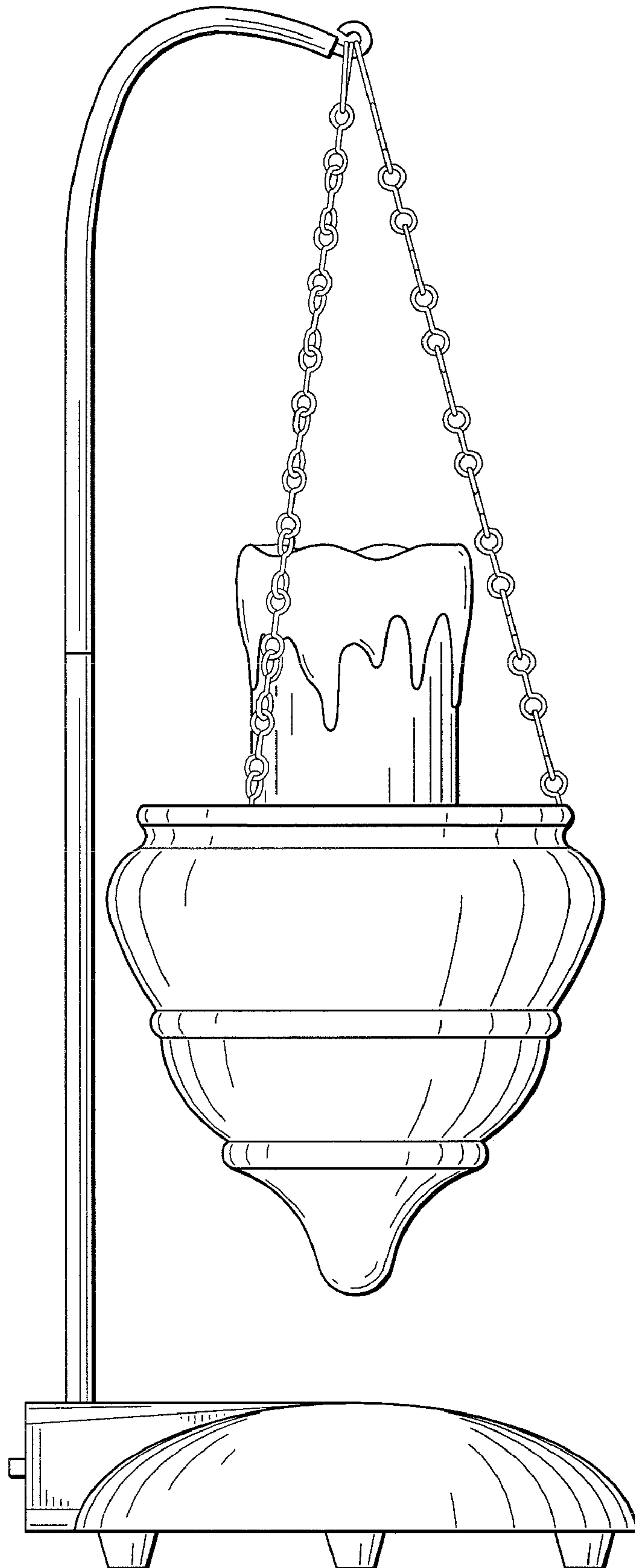


FIG. 4

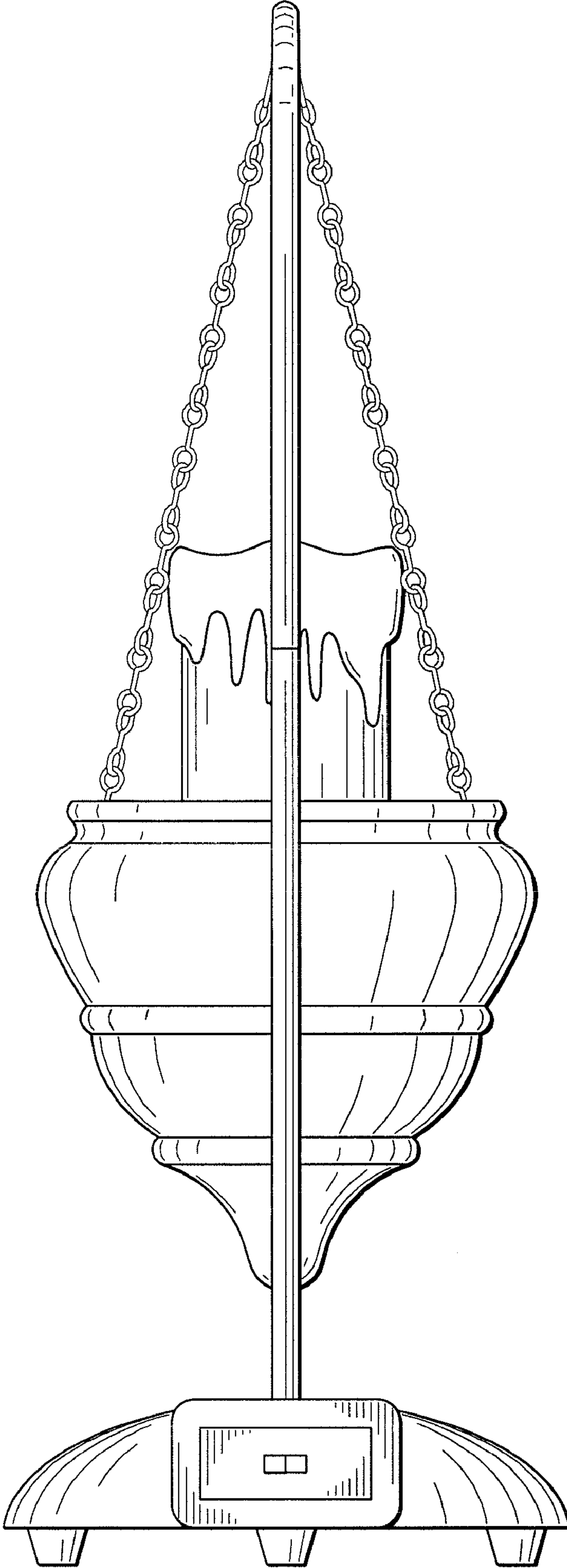


FIG. 5

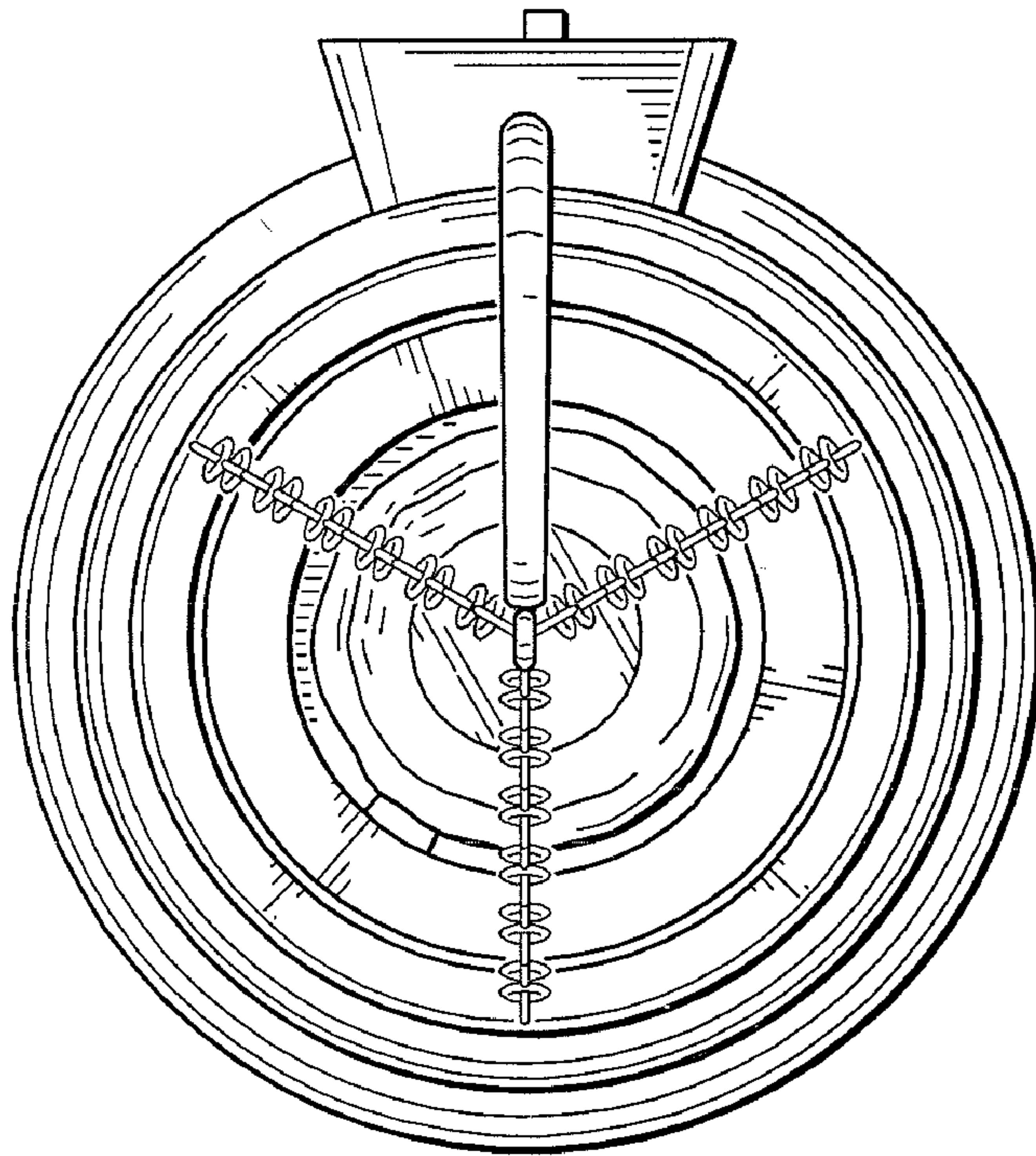


FIG. 6

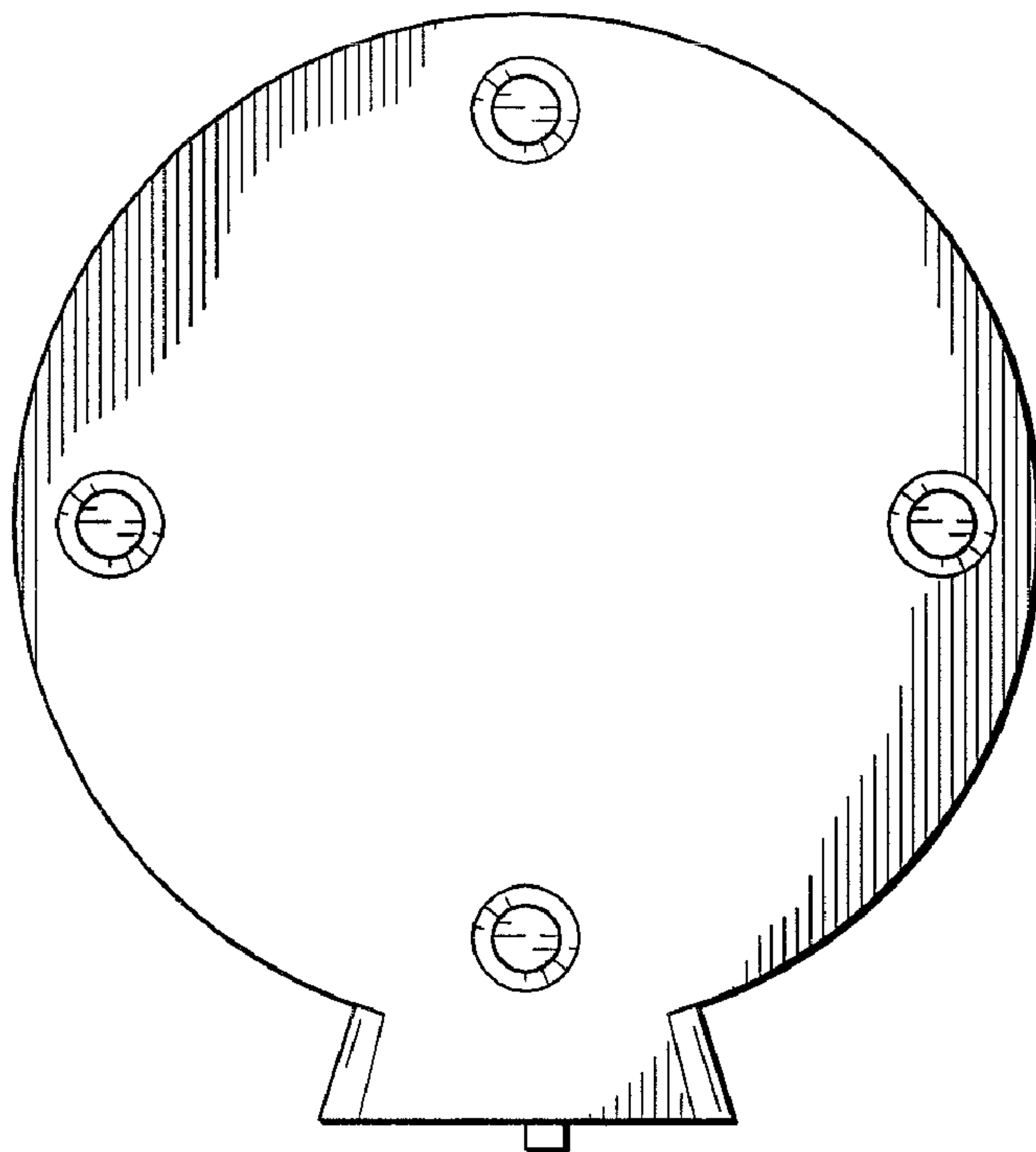


FIG. 7