



US00D624677S

(12) **United States Design Patent**
Deguglimo et al.

(10) **Patent No.:** **US D624,677 S**

(45) **Date of Patent:** **** Sep. 28, 2010**

(54) **DIMPLED FLASHLIGHT WITH OCTAGONAL HEAD**

(75) Inventors: **Joe Deguglimo**, Boca Raton, FL (US);
Glenn Robinson, Coral Springs, FL (US)

(73) Assignee: **IBT Holdings, LLC**, Deerfield Beach, FL (US)

(**) Term: **14 Years**

(21) Appl. No.: **29/350,893**

(22) Filed: **Nov. 25, 2009**

(51) **LOC (9) Cl.** **26-02**

(52) **U.S. Cl.** **D26/49**

(58) **Field of Classification Search** D26/37,
D26/38, 39, 42, 46, 49, 50; 362/157, 158,
362/183, 184, 187-196, 200-208
See application file for complete search history.

(56) **References Cited**

U.S. PATENT DOCUMENTS

| | | | | | |
|------------|---|---------|----------------|-------|--------|
| D451,224 S | * | 11/2001 | Yang | | D26/49 |
| D527,481 S | * | 8/2006 | Opolka | | D26/49 |
| D537,970 S | * | 3/2007 | Shiu | | D26/49 |
| D553,776 S | * | 10/2007 | Liu | | D26/49 |
| D564,116 S | * | 3/2008 | Linardos | | D26/49 |
| D568,515 S | * | 5/2008 | Liu | | D26/49 |
| D572,395 S | * | 7/2008 | Guelzow et al. | | D26/49 |
| D576,757 S | * | 9/2008 | Hesse et al. | | D26/49 |
| D579,595 S | * | 10/2008 | Shiu | | D26/49 |
| D580,080 S | * | 11/2008 | Ho | | D26/49 |
| D595,440 S | * | 6/2009 | Rivera et al. | | D26/49 |

D596,772 S * 7/2009 Chang D26/49
2006/0056173 A1 * 3/2006 Maglica 362/157

* cited by examiner

Primary Examiner—Ian Simmons

Assistant Examiner—Carissa C Fitts

(74) *Attorney, Agent, or Firm*—Steven M. Greenberg, Esq.;
Carey Rodriguez Greenberg & Paul LLP

(57) **CLAIM**

The ornamental design for a dimpled flashlight with octagonal head, as shown and described.

DESCRIPTION

FIG. 1 is a front, right, top perspective of the dimpled flashlight with octagonal head thereof.

FIG. 2 is a front view of the dimpled flashlight with octagonal head thereof.

FIG. 3 is a rear view of the dimpled flashlight with octagonal head thereof.

FIG. 4 is a right-side view of the dimpled flashlight with octagonal head thereof.

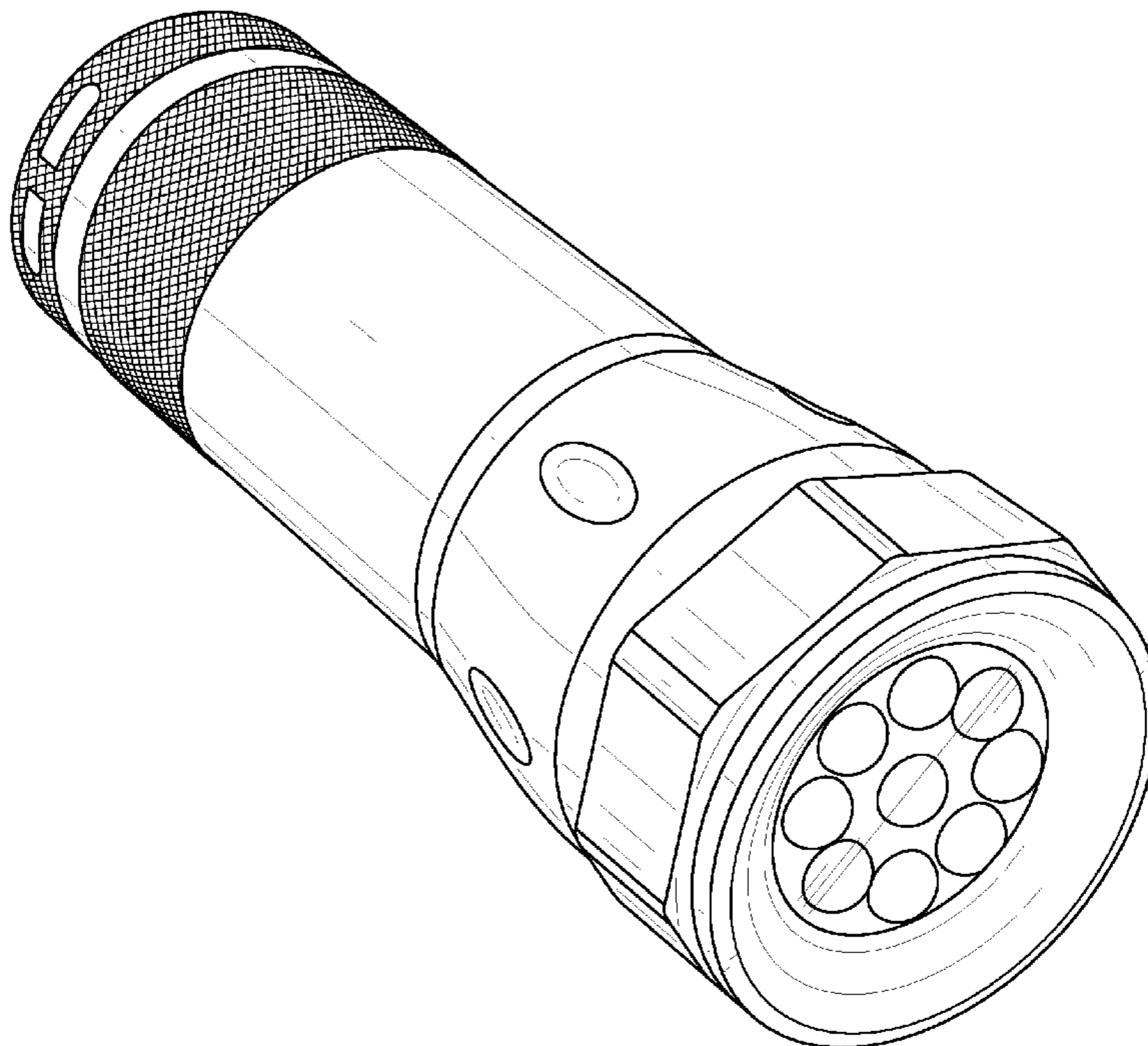
FIG. 5 is a left-side view of the dimpled flashlight with octagonal head thereof.

FIG. 6 is a top view of the dimpled flashlight with octagonal head thereof; and,

FIG. 7 is a bottom view of the dimpled flashlight with octagonal head thereof.

The broken lines are for illustrative purposes only and form no part of the claimed design.

1 Claim, 6 Drawing Sheets



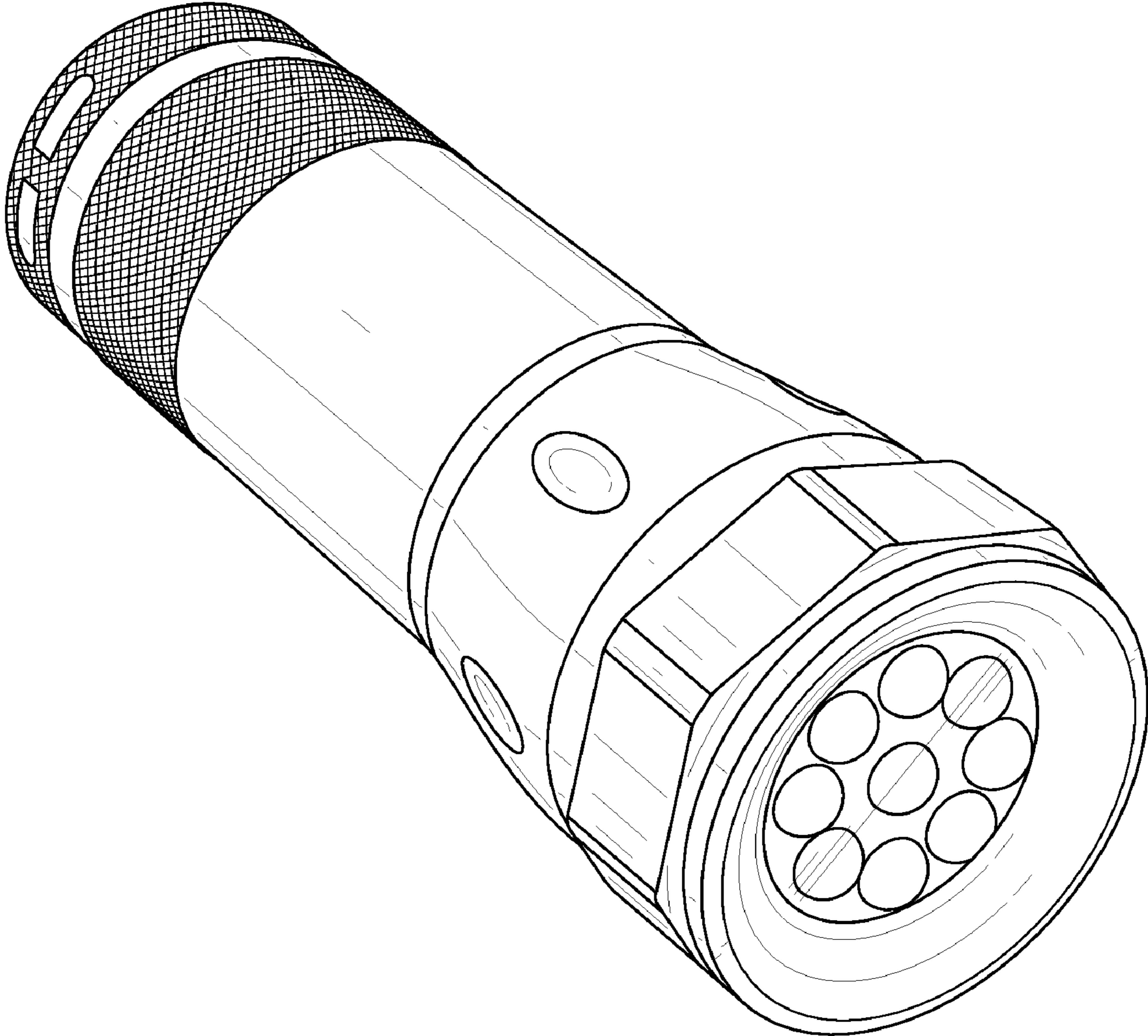


FIG. 1

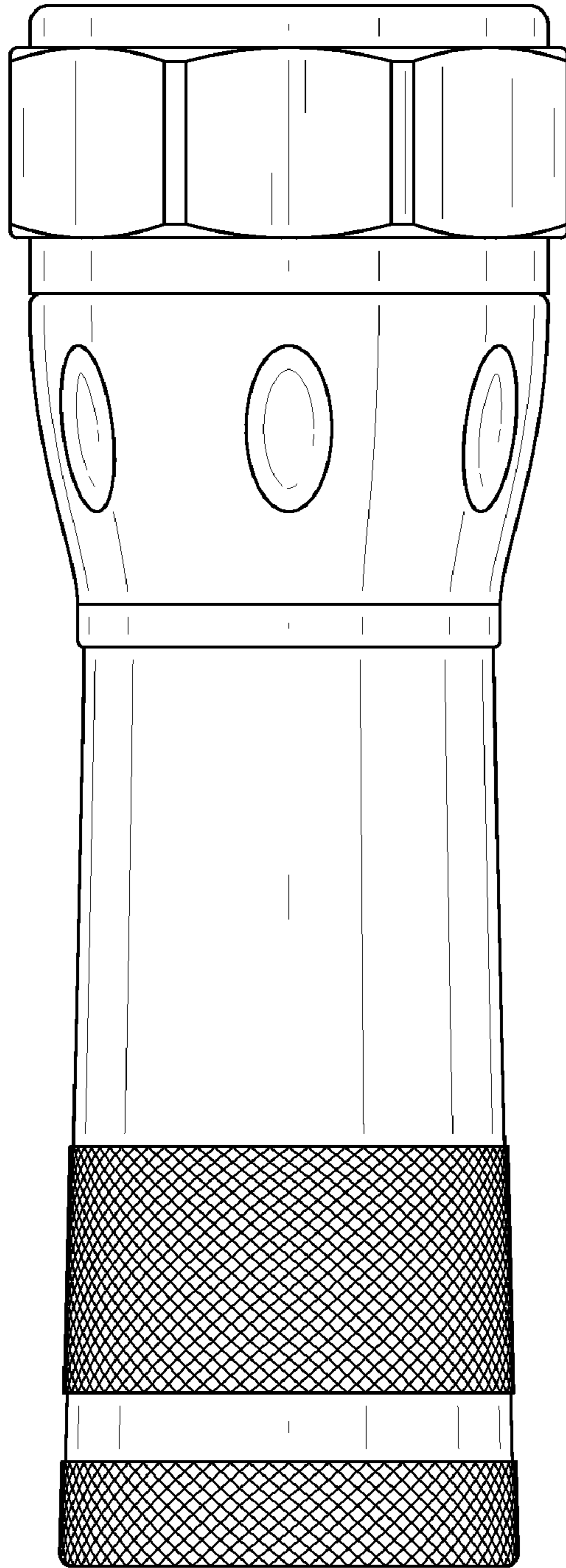


FIG. 2

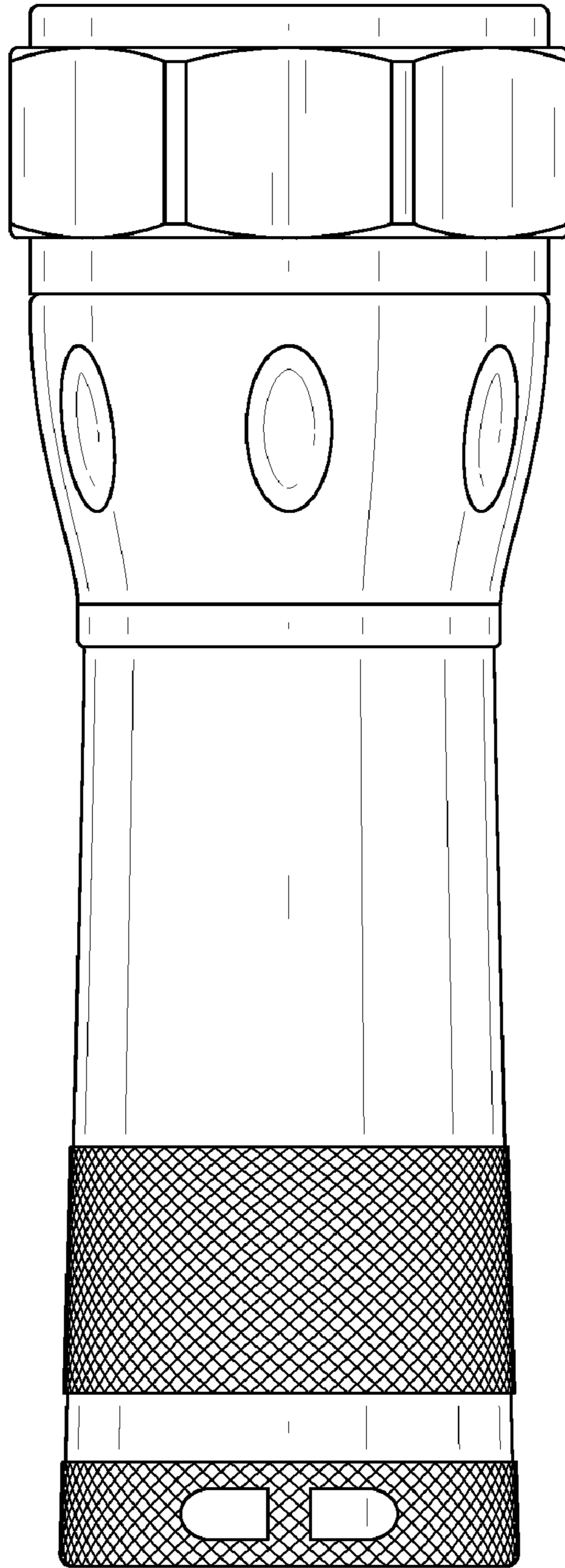


FIG. 3

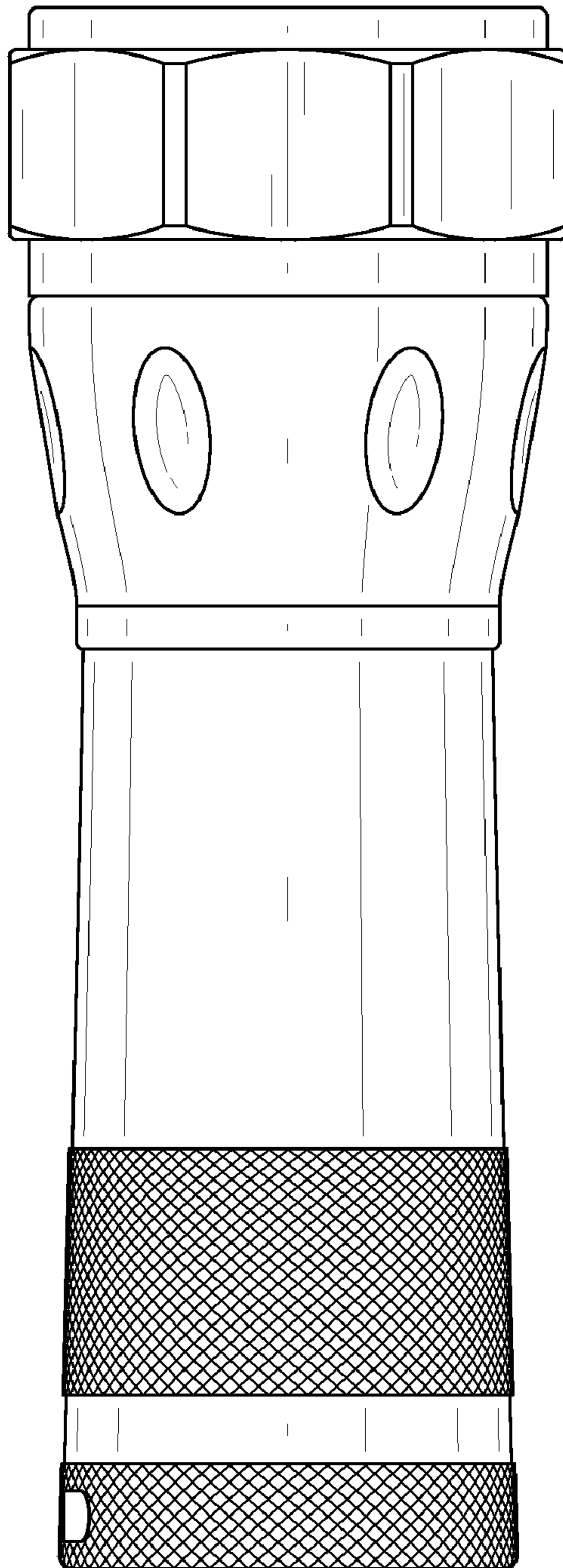


FIG. 4

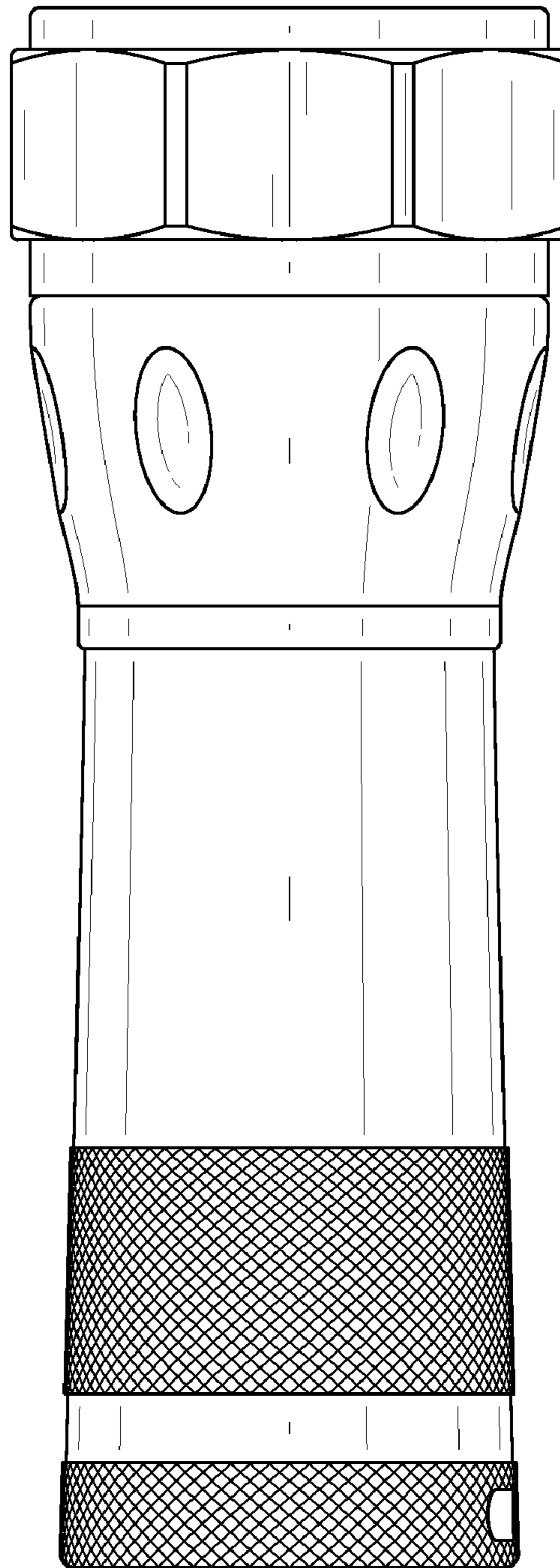


FIG. 5

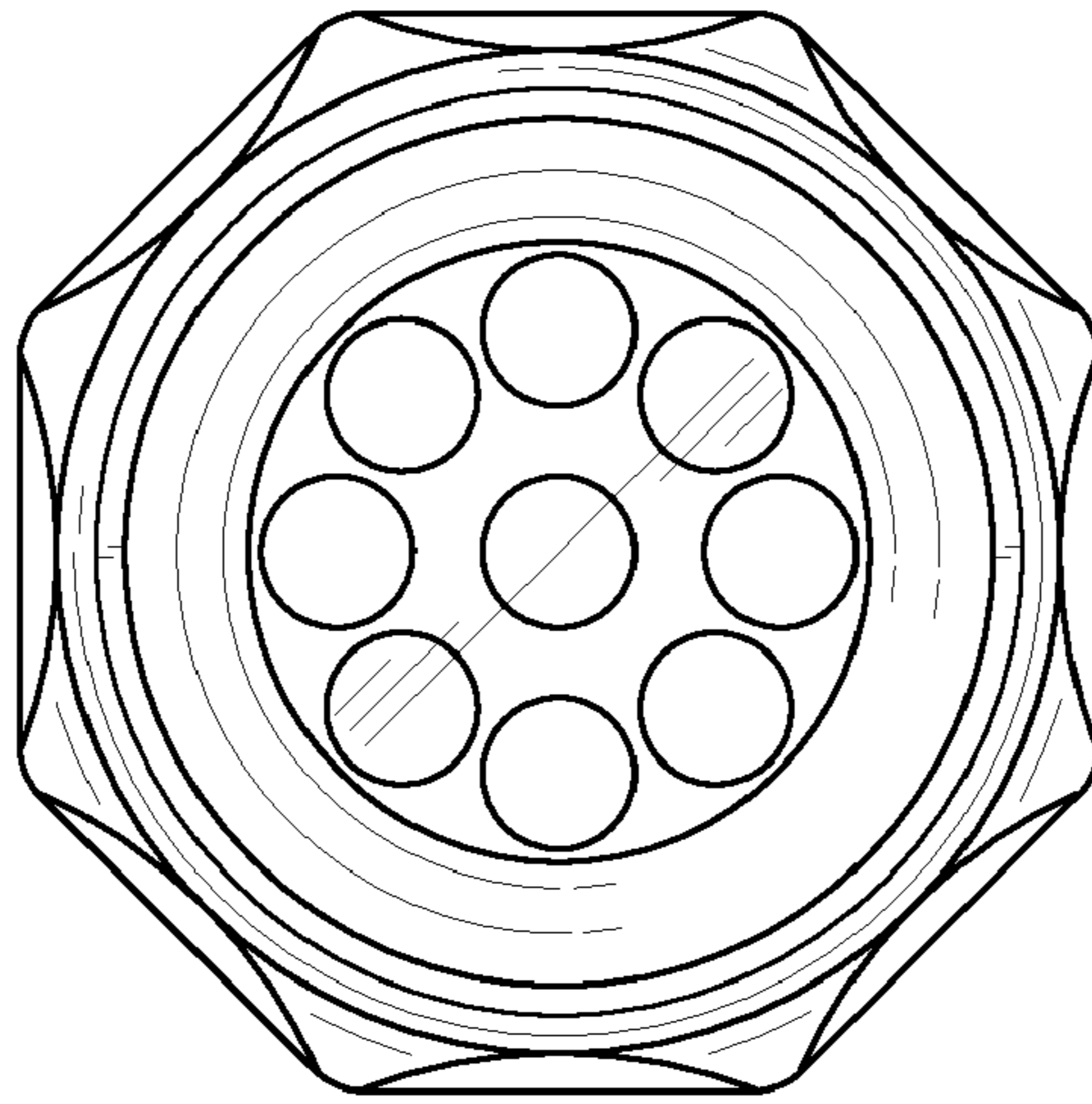


FIG. 6

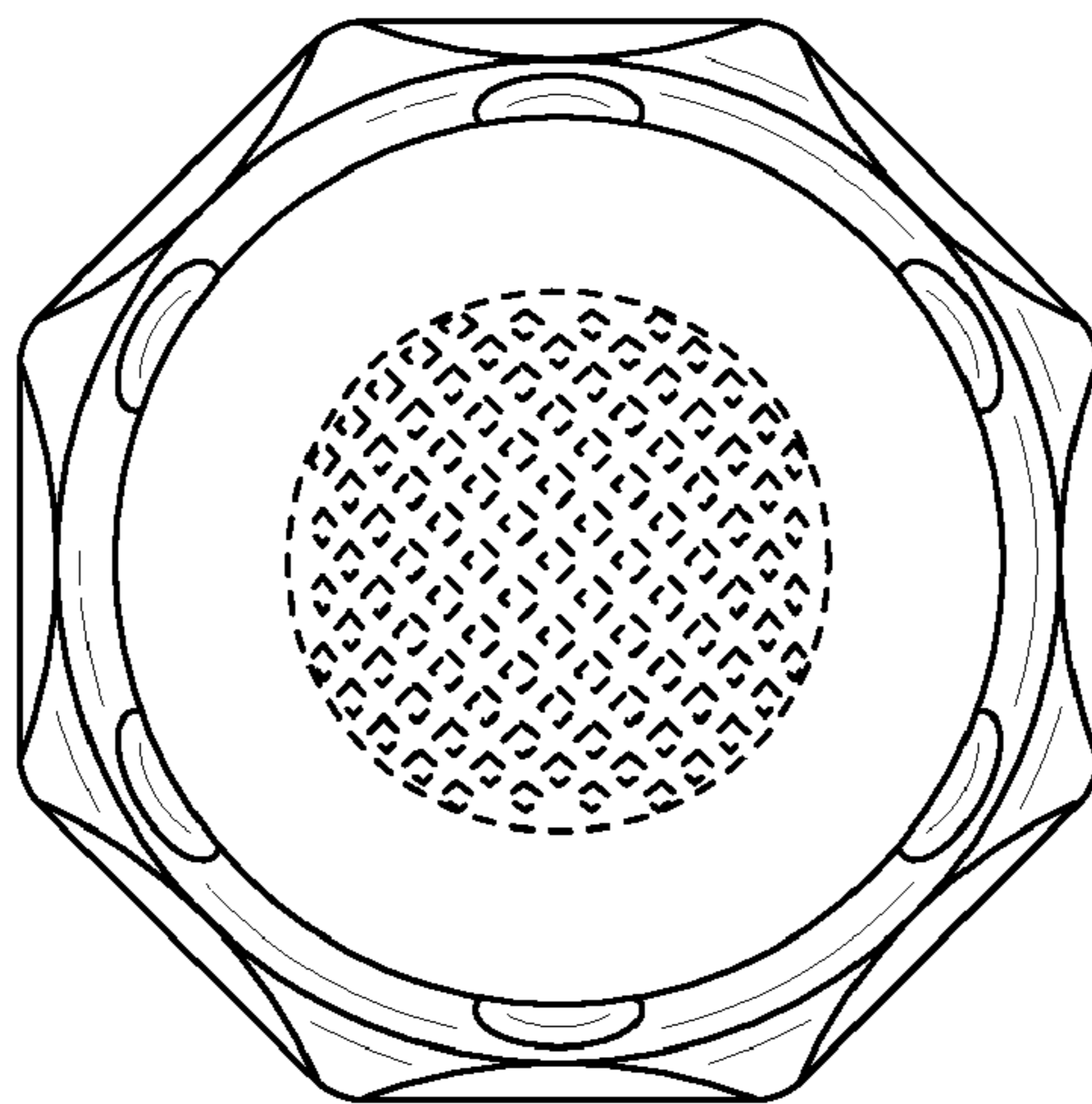


FIG. 7