



US00D624672S

(12) **United States Design Patent**
Chien

(10) **Patent No.:** **US D624,672 S**

(45) **Date of Patent:** **** Sep. 28, 2010**

(54) **STRING LIGHT**

(76) **Inventor:** **Chao-Chuan Chien**, 8F, No. 387,
Chung Cheng Road, Hsin Chuang City,
Taipei Hsien (TW)

(**) **Term:** **14 Years**

(21) **Appl. No.:** **29/332,715**

(22) **Filed:** **Feb. 24, 2009**

(51) **LOC (9) Cl.** **26-04**

(52) **U.S. Cl.** **D26/25**

(58) **Field of Classification Search** D26/24,
D26/25, 27, 113, 118; 362/551, 552, 554,
362/556, 555, 559, 806, 812, 565, 84, 217.01,
362/236, 237, 249.06, 249.14, 249.15, 249.16,
362/269; 385/901

See application file for complete search history.

(56) **References Cited**

U.S. PATENT DOCUMENTS

5,150,964	A *	9/1992	Tsui	362/645
D340,298	S *	10/1993	Murata	D26/25
D345,430	S *	3/1994	Ridgeway	D26/25
5,595,439	A *	1/1997	Maddock et al.	362/238
6,991,355	B1 *	1/2006	Coushaine et al.	362/555
D527,121	S *	8/2006	Van Dyn Hoven	D26/25
D578,250	S *	10/2008	Conroy	D26/138

D598,583	S *	8/2009	Levine	D26/25
7,740,386	B2 *	6/2010	Tsuji et al.	362/391
D619,964	S *	7/2010	Coushaine et al.	D13/134
2005/0213319	A1 *	9/2005	Halasz	362/177
2007/0081332	A1 *	4/2007	He	362/252
2009/0002991	A1 *	1/2009	Huang	362/252

* cited by examiner

Primary Examiner—Angela J Lee

(74) *Attorney, Agent, or Firm*—Rabin & Berdo, P.C.

(57) **CLAIM**

The ornamental design for a string light, as shown and described.

DESCRIPTION

FIG. 1 is a perspective view of a string light showing my new design;

FIG. 2 is a front elevation view thereof;

FIG. 3 is a rear elevation view thereof;

FIG. 4 is a left side elevation view thereof;

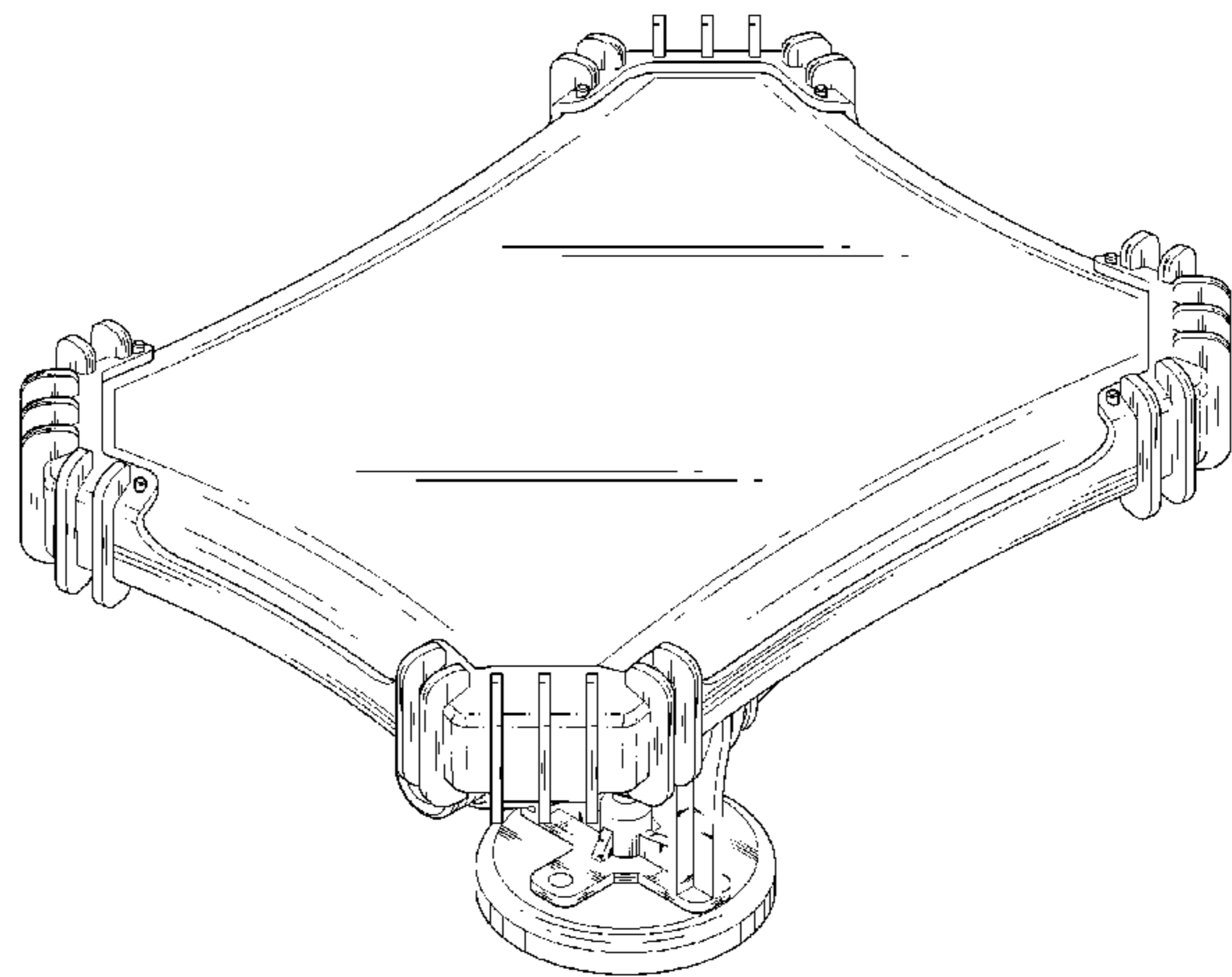
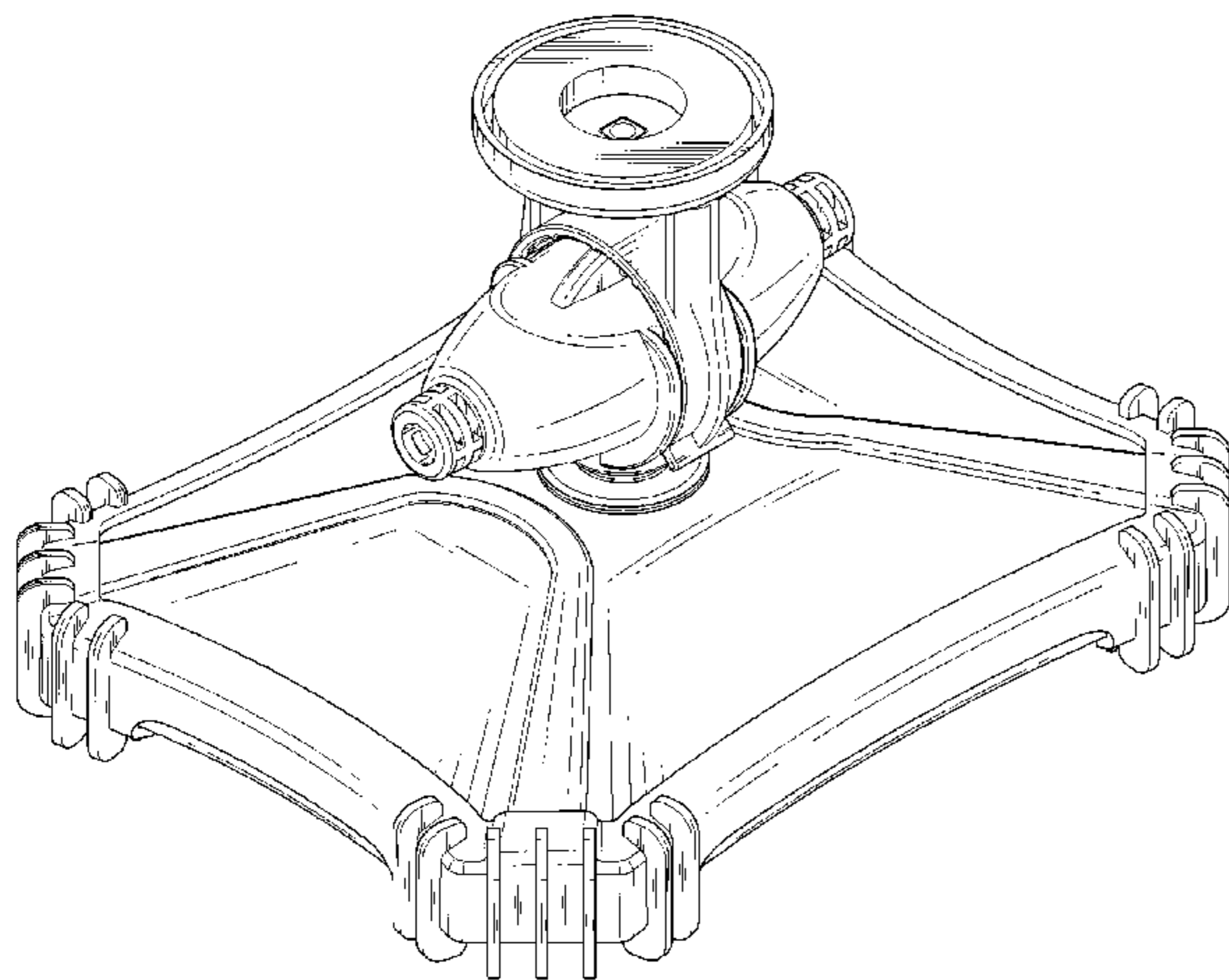
FIG. 5 is a right side elevation view thereof;

FIG. 6 is a top plan view thereof;

FIG. 7 is a bottom plan view thereof; and,

FIG. 8 is a bottom perspective view thereof.

1 Claim, 8 Drawing Sheets



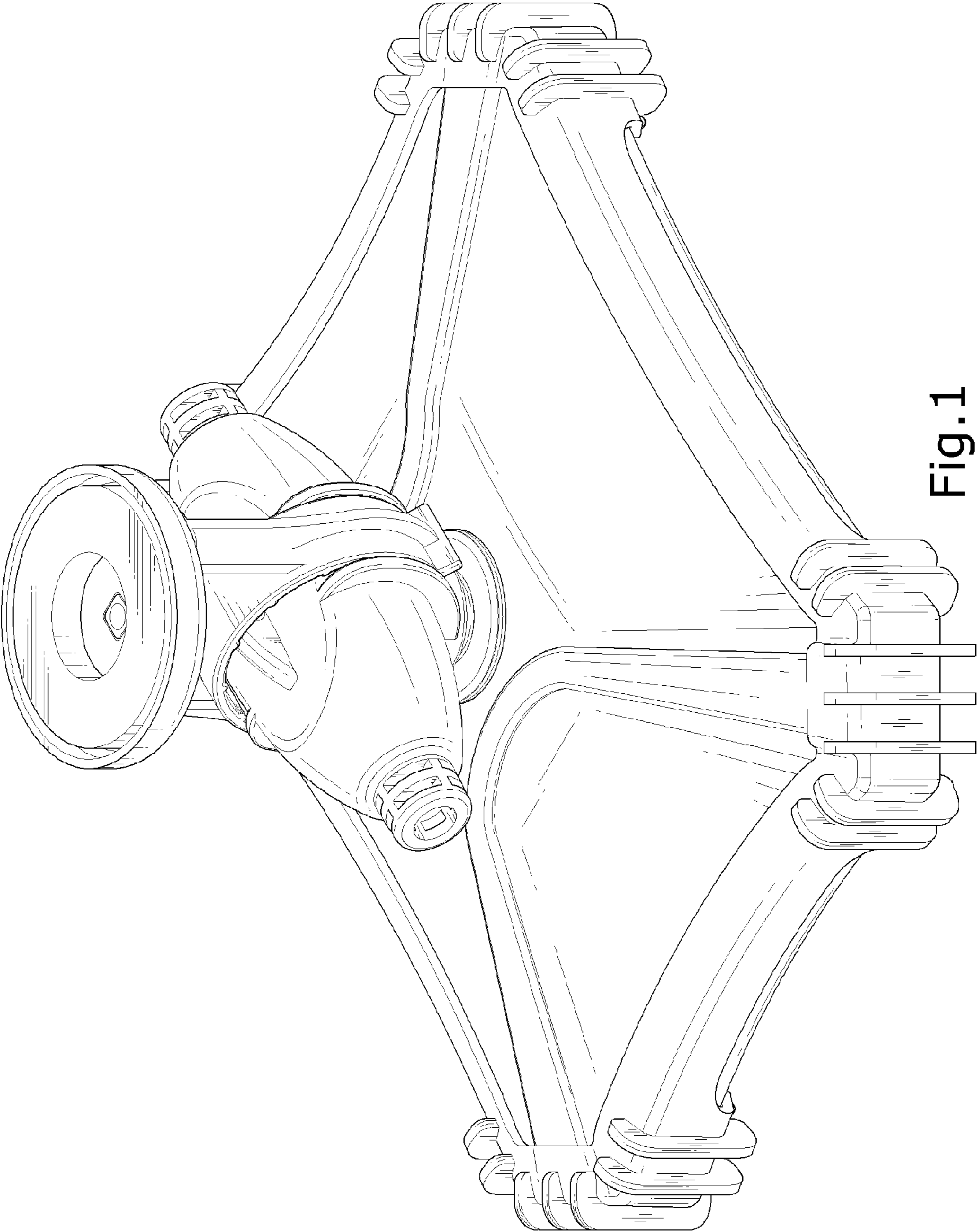


Fig. 1

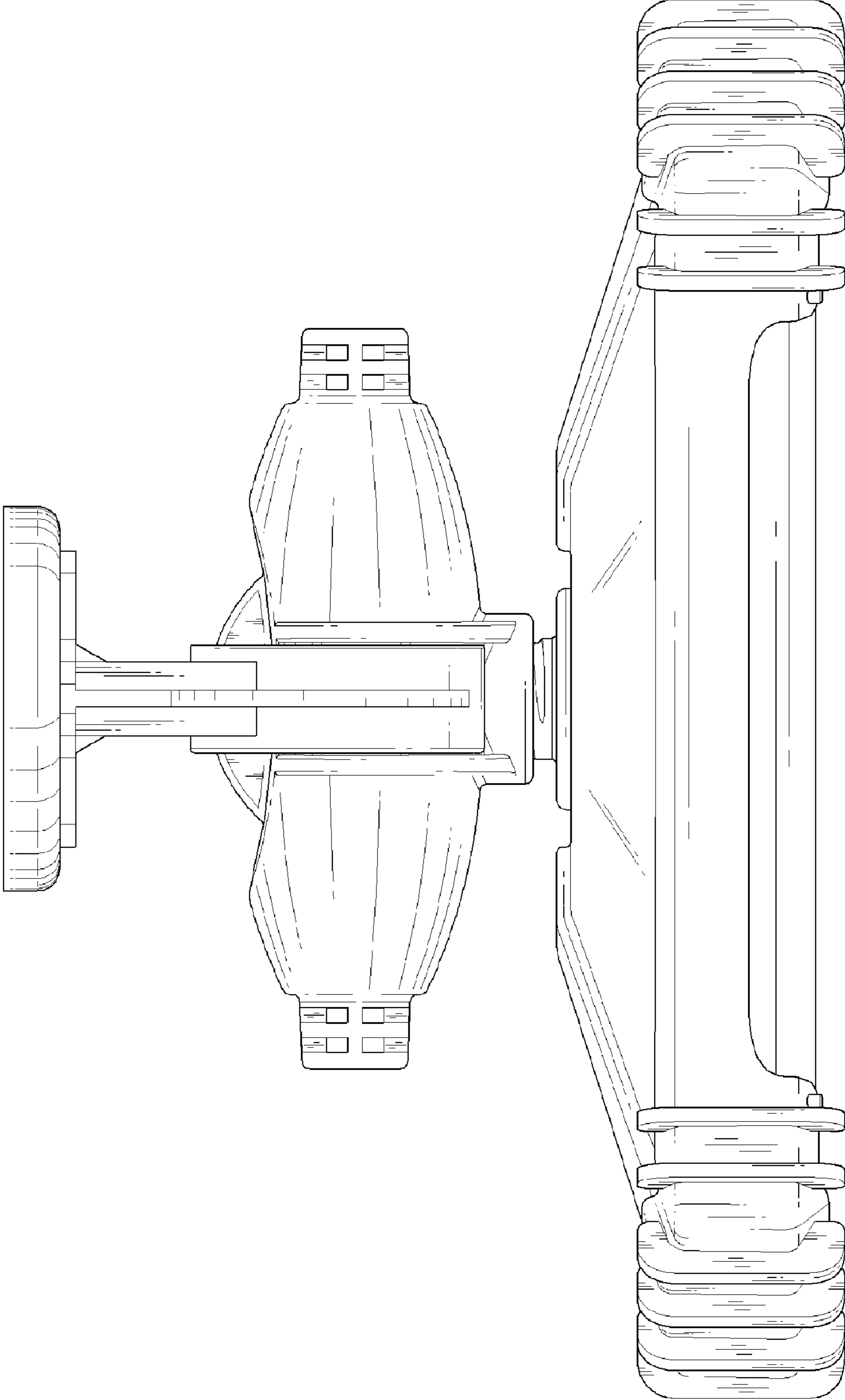


Fig. 2

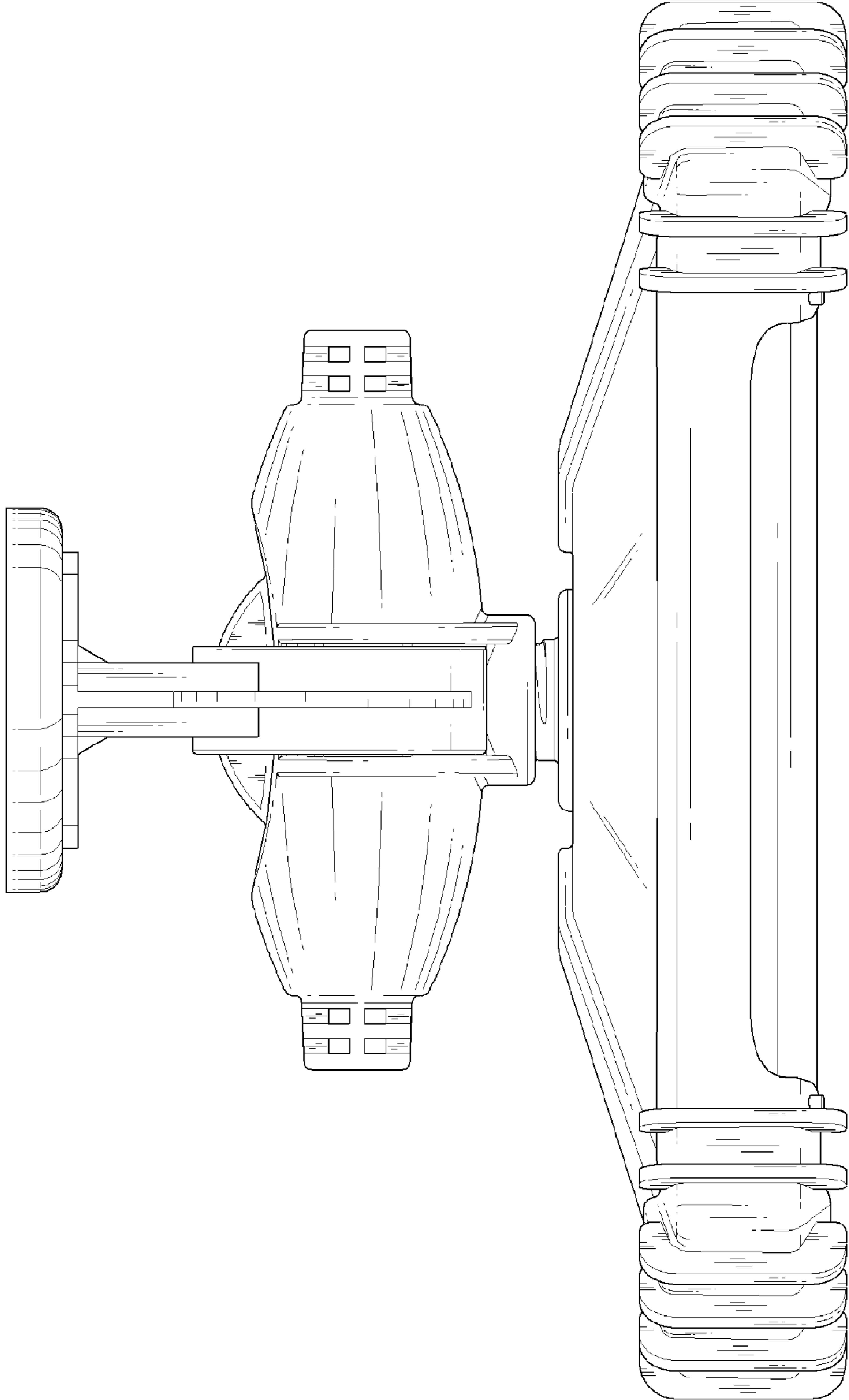


Fig. 3

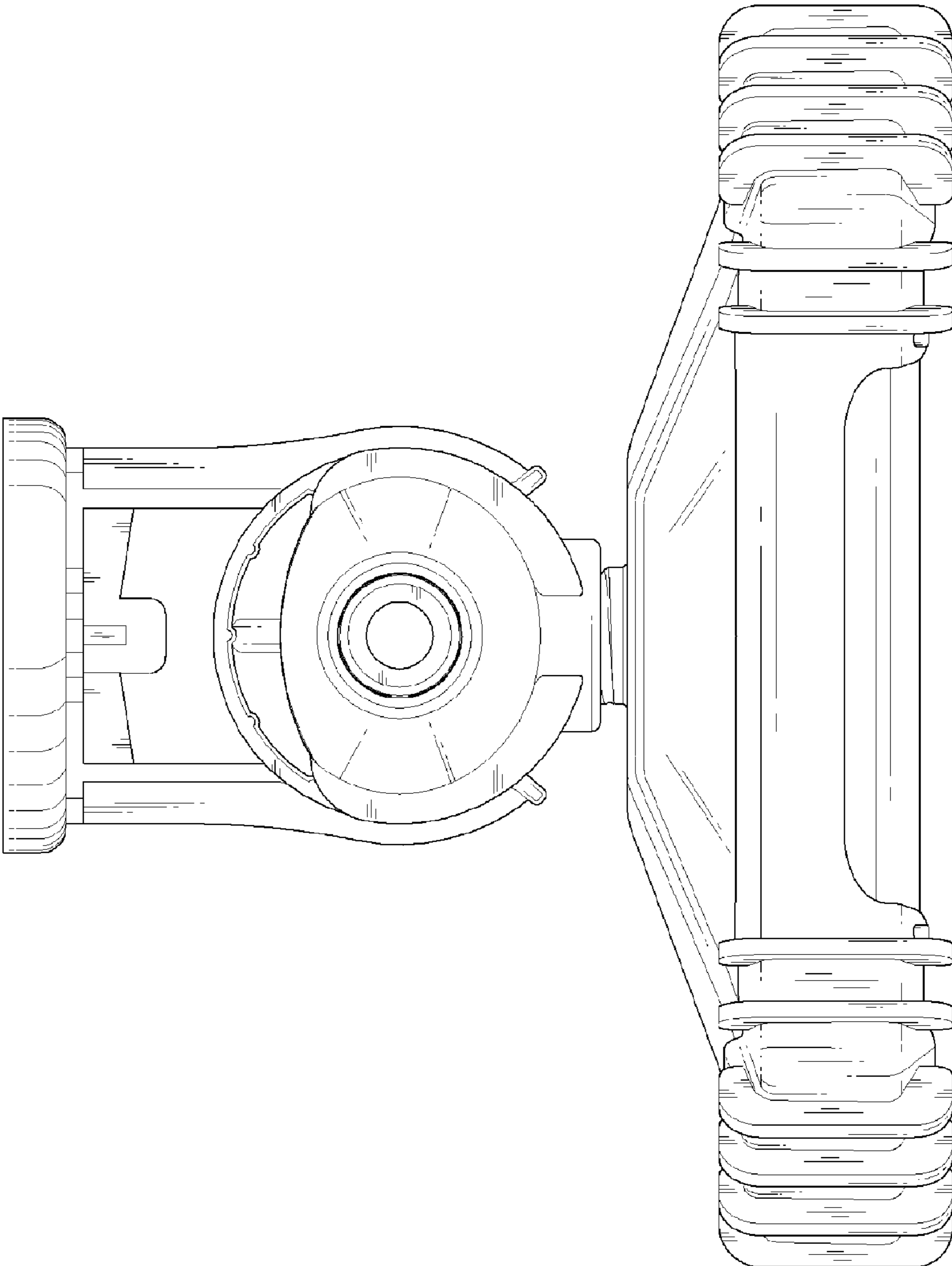


Fig.4

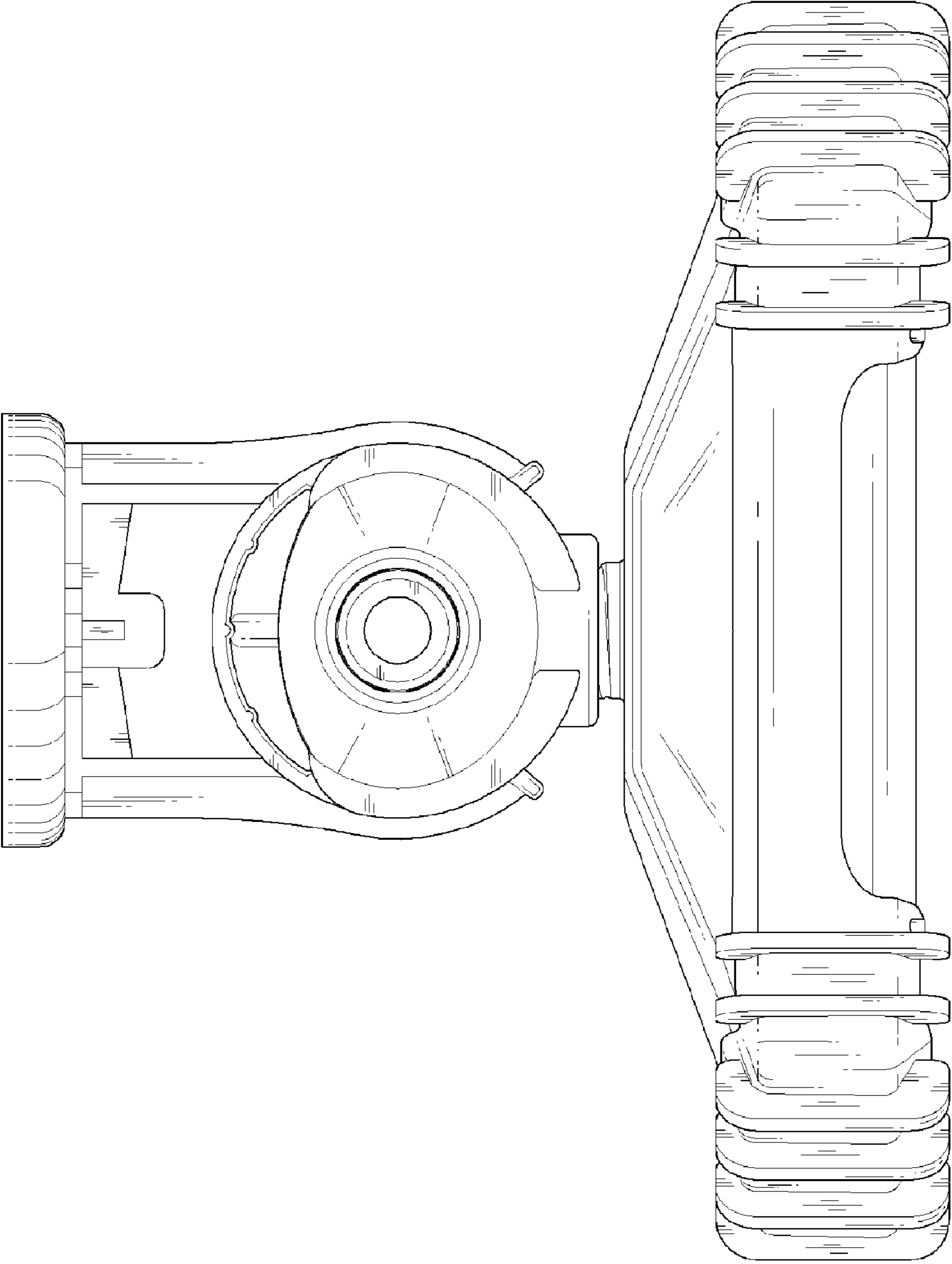


Fig. 5

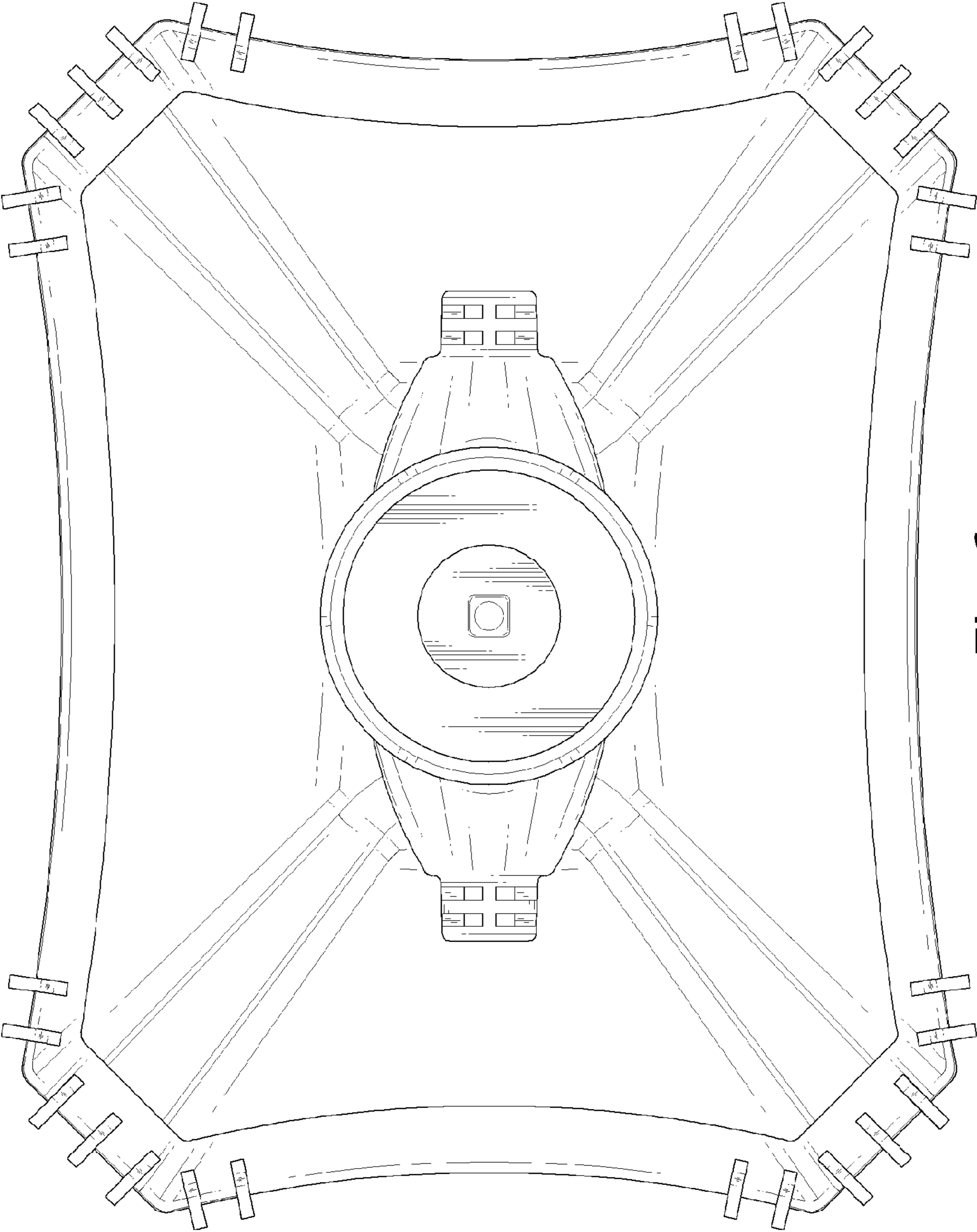


Fig. 6

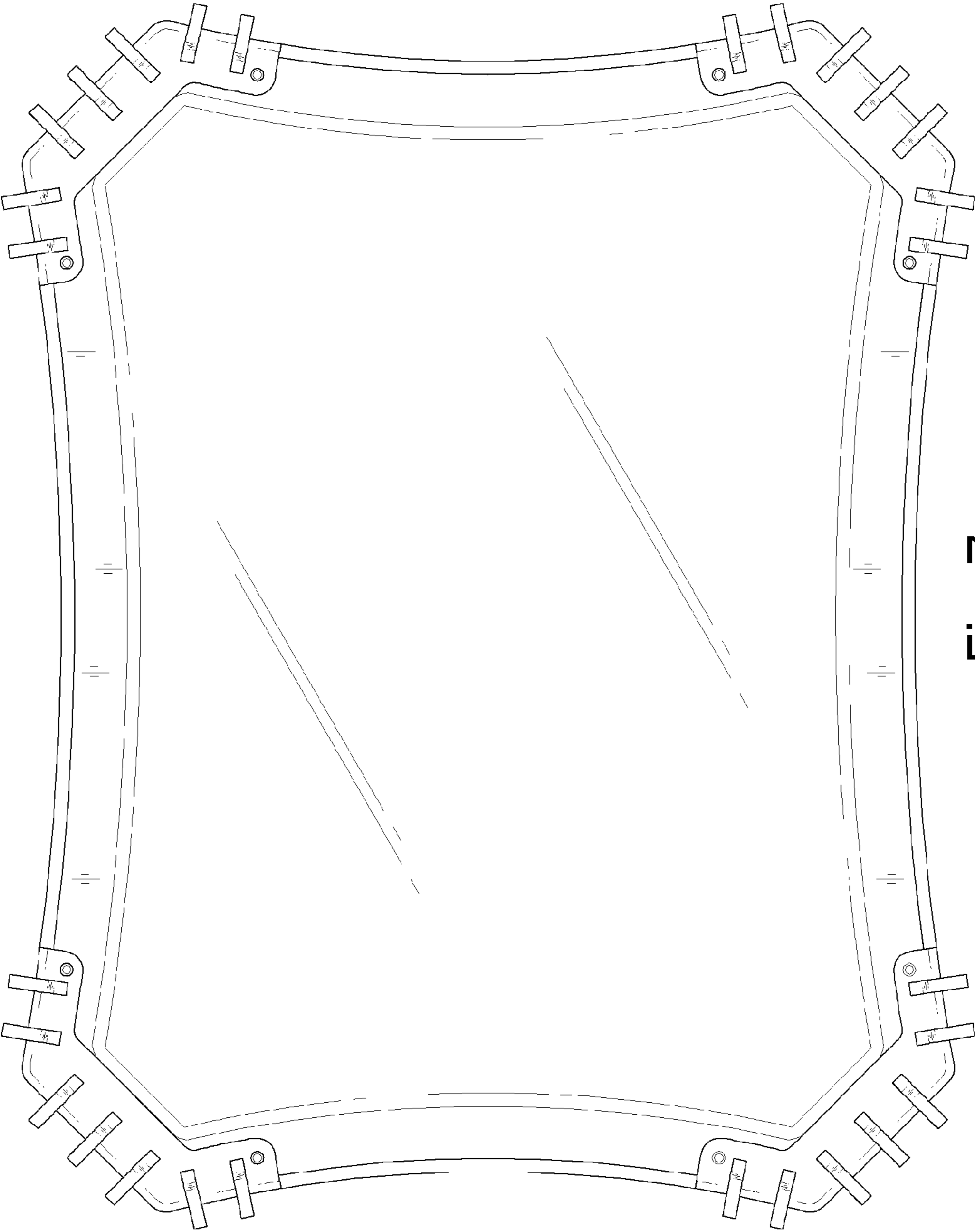


Fig. 7

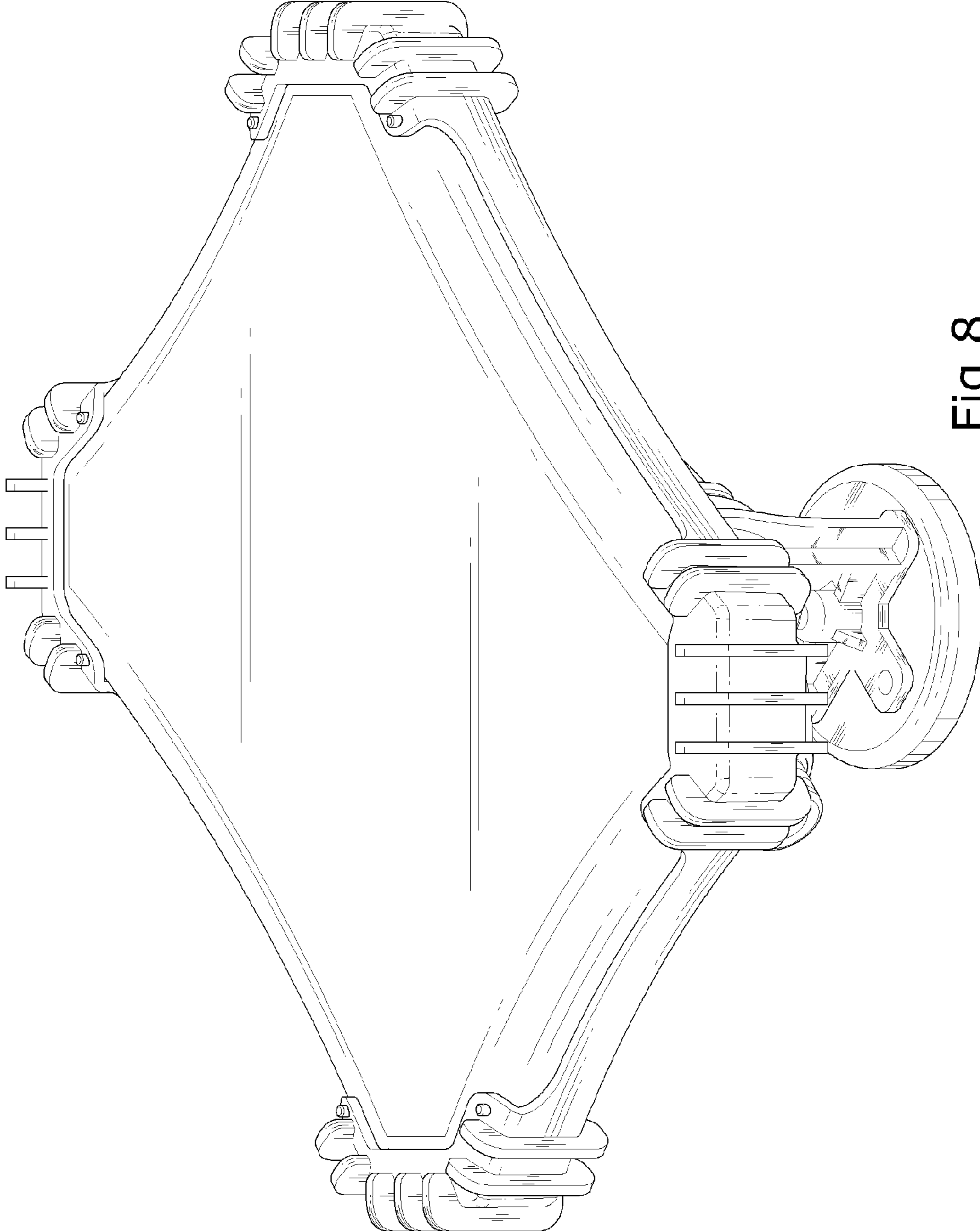


Fig. 8