



US00D624670S

(12) **United States Design Patent**  
**Schwartz et al.**

(10) **Patent No.:** **US D624,670 S**

(45) **Date of Patent:** **\*\* Sep. 28, 2010**

(54) **CANDLE**

(75) Inventors: **Keara Elyse Schwartz**, Cincinnati, OH (US); **Michael Thomas Seum**, Cincinnati, OH (US); **Norio Fujikawa**, San Francisco, CA (US); **Shujan Sung Bertrand**, San Francisco, CA (US); **Anh Tuan Nguyen**, Portland, OR (US)

(73) Assignee: **The Procter & Gamble Company**, Cincinnati, OH (US)

(\*\*) Term: **14 Years**

(21) Appl. No.: **29/301,038**

(22) Filed: **Feb. 7, 2008**

(51) **LOC (9) Cl.** ..... **26-04**

(52) **U.S. Cl.** ..... **D26/6**

(58) **Field of Classification Search** ..... D26/5, D26/6, 7, 9, 10, 11, 12, 13, 14, 15, 16, 17, D26/18, 19, 20, 21, 22, 23, 114-137; D11/117, D11/121, 125, 131; 428/7-9, 11; 431/291, 431/311, 320, 298; 362/161-163, 351  
See application file for complete search history.

(56) **References Cited**

U.S. PATENT DOCUMENTS

3,855,464	A *	12/1974	Angelo	.....	431/297
6,241,512	B1	6/2001	Freeman et al.		
D450,861	S *	11/2001	Murdick	.....	D26/7
D459,498	S *	6/2002	Araujo	.....	D26/6
6,435,694	B1	8/2002	Bell et al.		
D496,474	S *	9/2004	Murdick	.....	D26/7
D547,467	S	7/2007	Horezniak et al.		
D547,468	S	7/2007	Horezniak et al.		

D547,470	S	7/2007	Horezniak et al.
D565,241	S	3/2008	Horezniak et al.
2003/0104330	A1	6/2003	Joyner
2007/0169404	A1	7/2007	Cagle

(Continued)

OTHER PUBLICATIONS

www.candlewic.com/candle-making-newsletter/0106.asp—Jan. 2006 How to Make Candles, Candle Making Newsletter, printed Sep. 25, 2006, 7 pages.

(Continued)

*Primary Examiner*—T. Chase Nelson

*Assistant Examiner*—Ania K Dworzecka

(74) *Attorney, Agent, or Firm*—Julia A. Glazer; Leonard W. Lewis; Steven W. Miller

(57) **CLAIM**

The ornamental design for a candle, as shown and described.

**DESCRIPTION**

FIG. 1 is a perspective view of a candle showing our new design.

FIG. 2 is a front elevation view of the candle of FIG. 1.

FIG. 3 is a rear elevation view of the candle of FIG. 1.

FIG. 4 is a left side elevation view of the candle of FIG. 1.

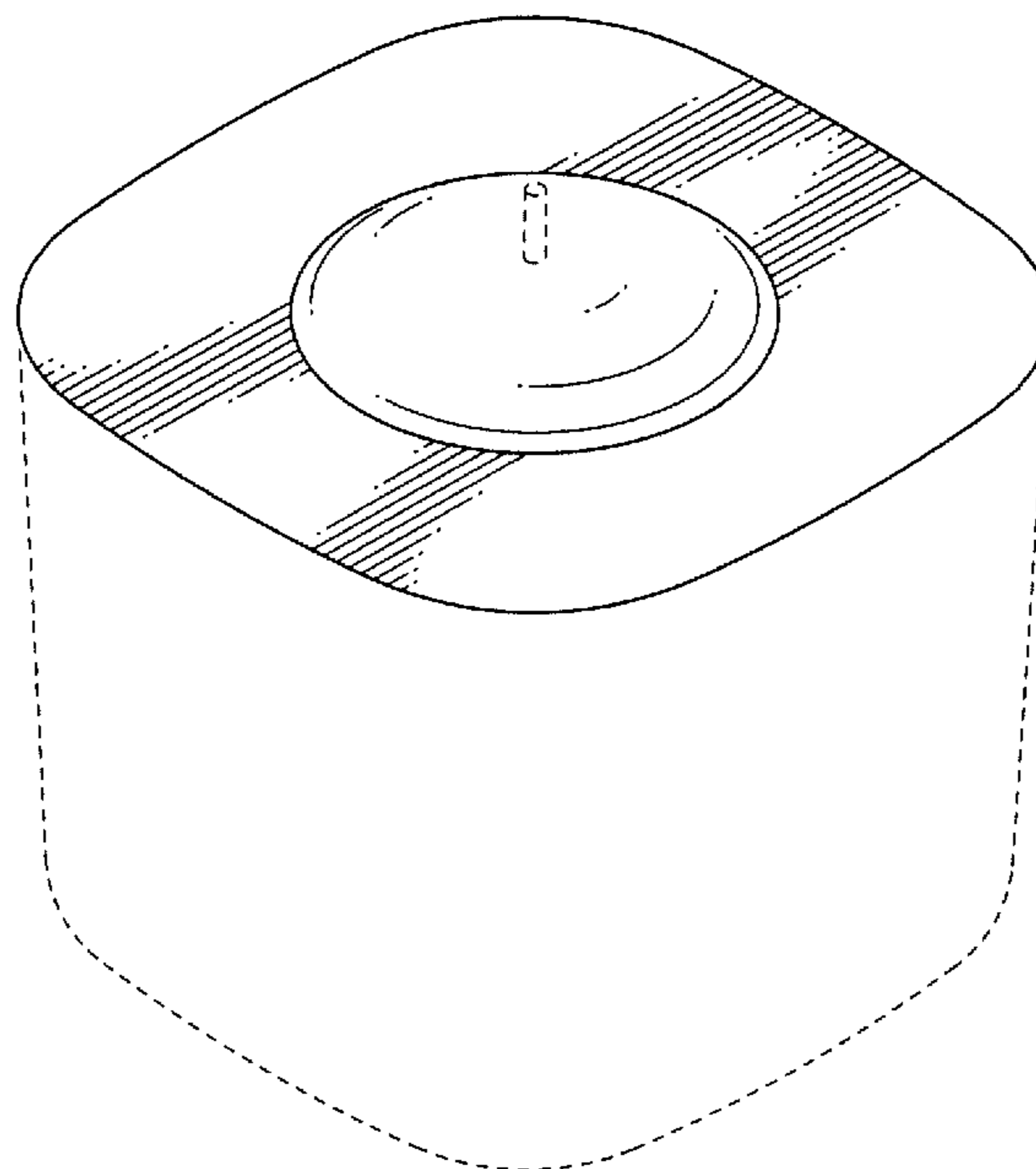
FIG. 5 is a right side elevation view of the candle of FIG. 1.

FIG. 6 is a top plan view of the candle of FIG. 1; and,

FIG. 7 is a bottom plan view of the candle of FIG. 1.

The broken line showing of environmental structure in the figures is for illustrative purposes only and forms no part of the claimed design.

**1 Claim, 7 Drawing Sheets**



# US D624,670 S

Page 2

---

## U.S. PATENT DOCUMENTS

2007/0169405 A1 7/2007 Cagle  
2008/0081305 A1 4/2008 Horezniak et al.

## OTHER PUBLICATIONS

<http://oami.europa.eu/RCOnline/RequestManager>— European  
Registered Community Design 000078829-0001.

U.S. Appl. No. 29/286,997, filed May 25, 2007, Horezniak et al.  
U.S. Appl. No. 29/288,002, filed May 25, 2007, Horezniak et al.  
U.S. Appl. No. 29/291,314, filed Aug. 23, 2007, Seum et al.  
U.S. Appl. No. 29/291,315, filed Aug. 23, 2007, Seum et al.  
U.S. Appl. No. 29/294,816, filed Jan 29, 2008, Horezniak et al.  
U.S. Appl. No. 29/301,060, filed Feb. 27, 2008, Schwartz et al.

\* cited by examiner

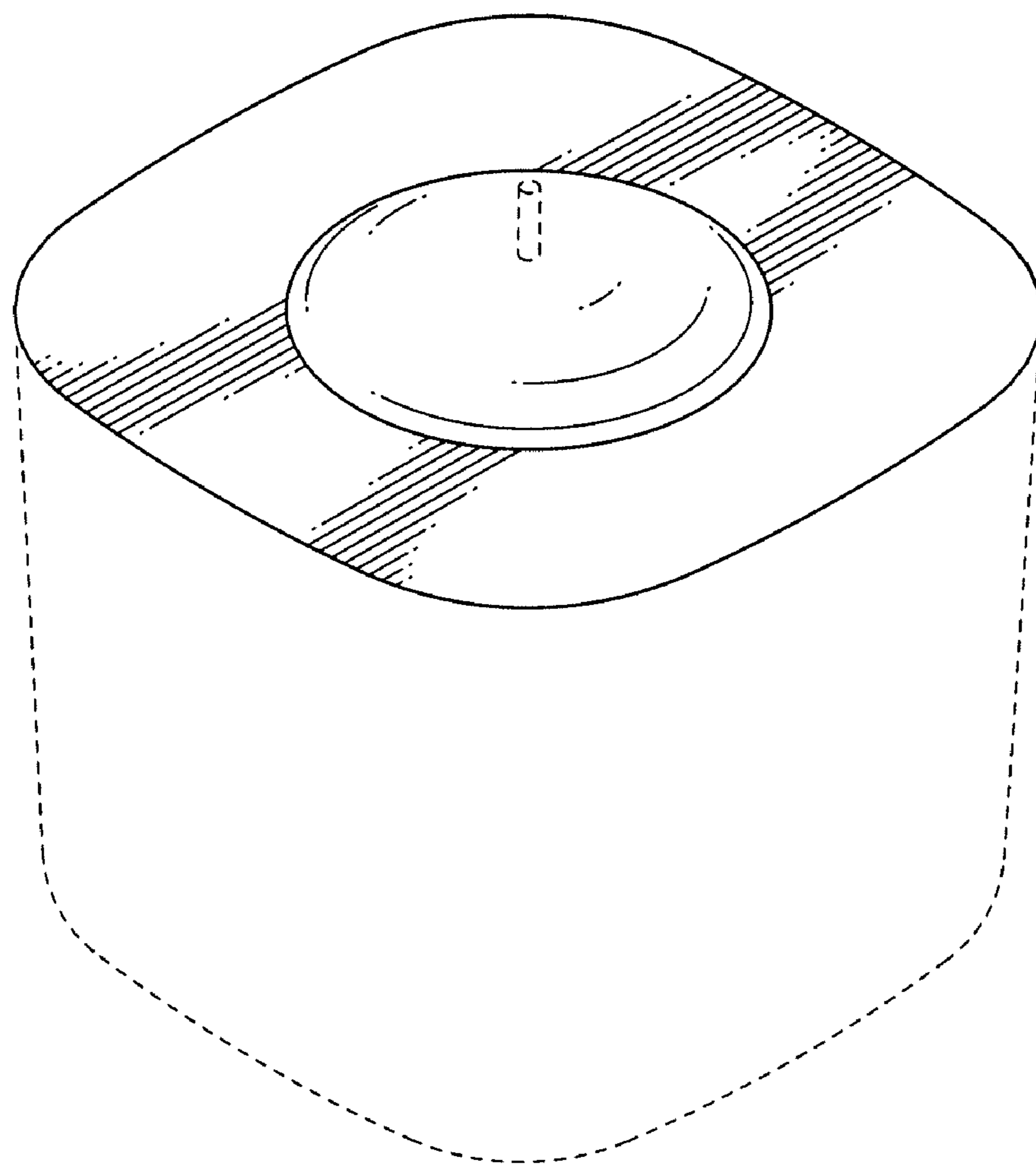


Fig. 1

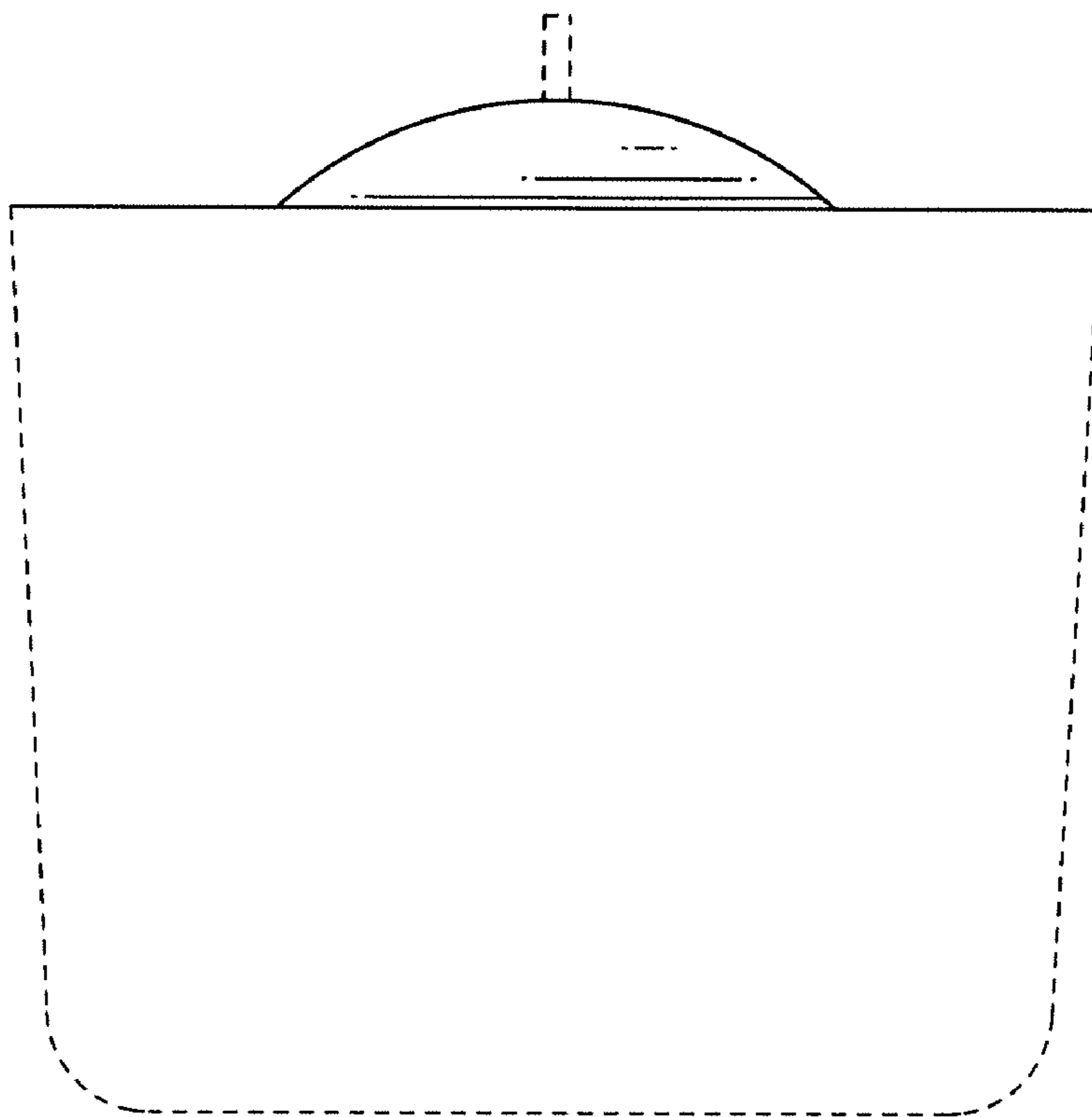


Fig. 2

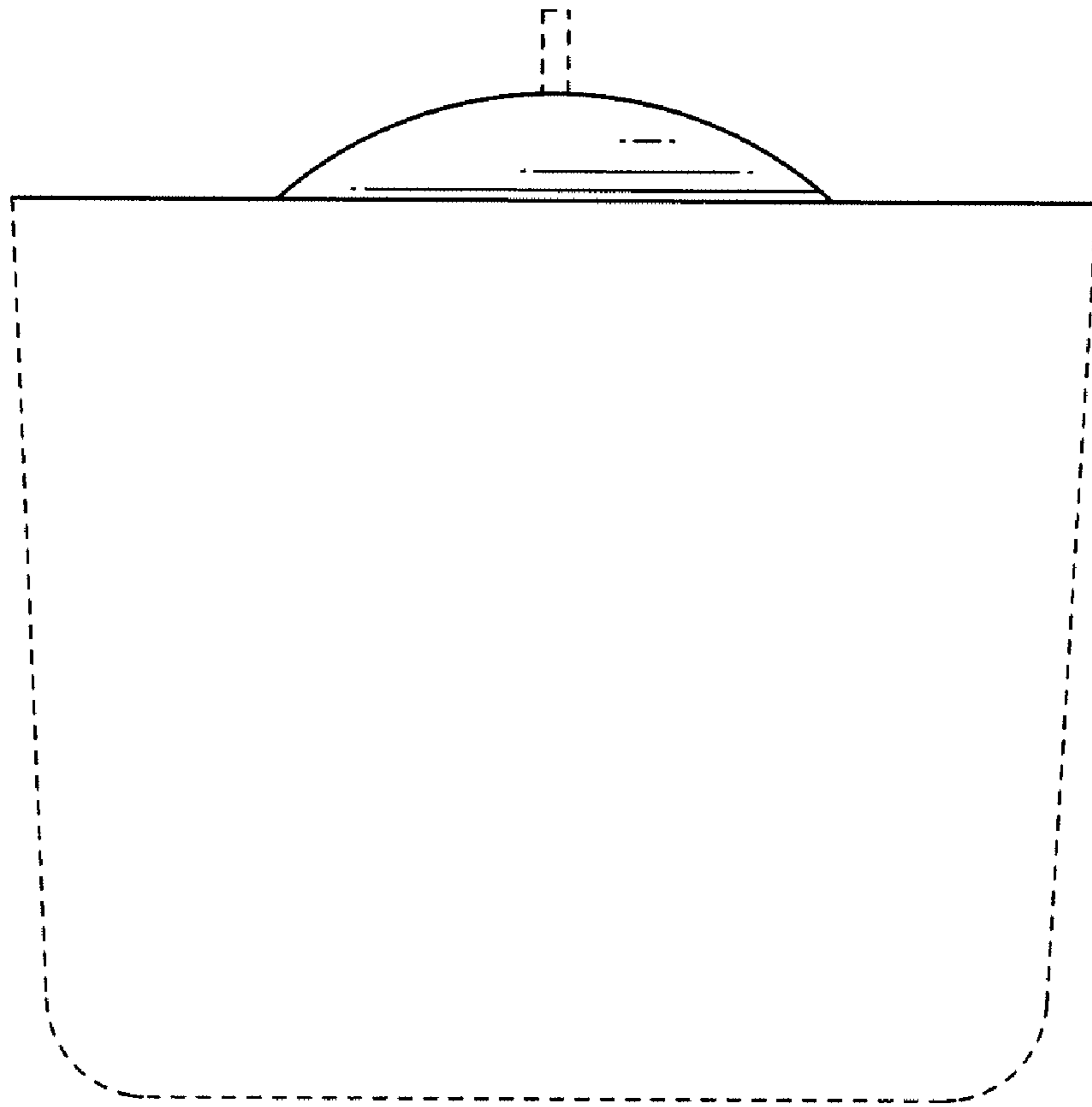


Fig. 3

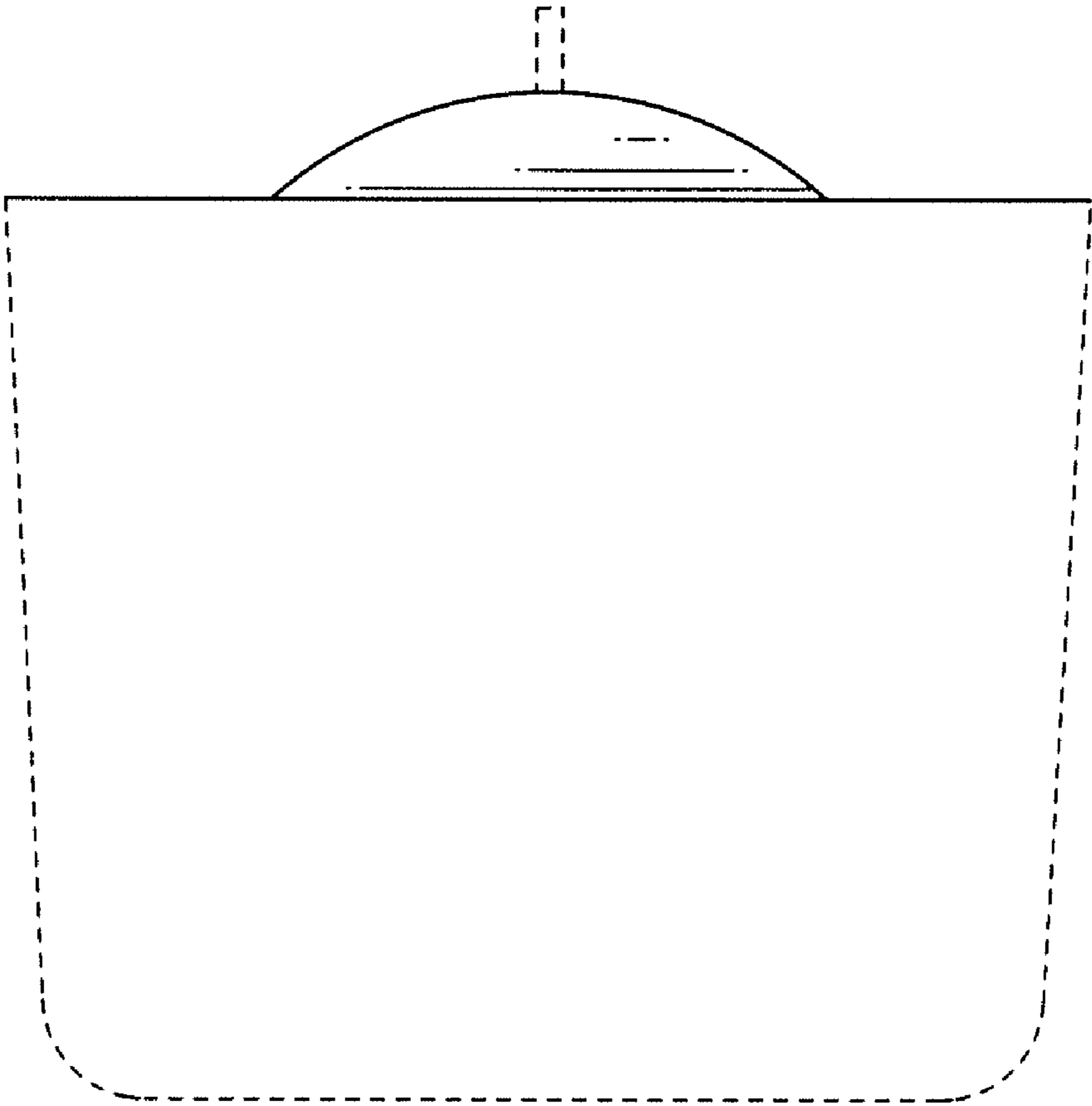


Fig. 4

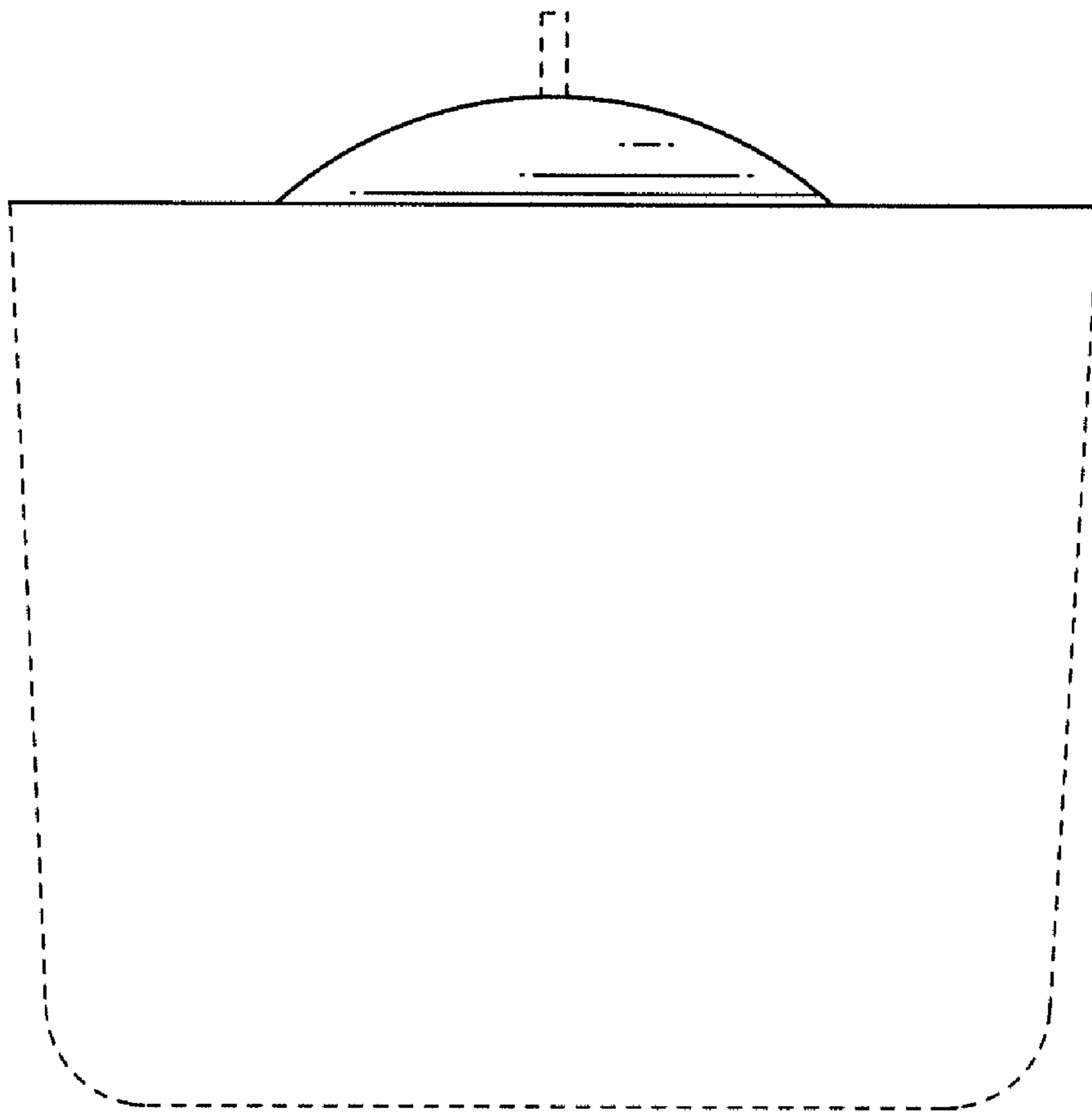


Fig. 5

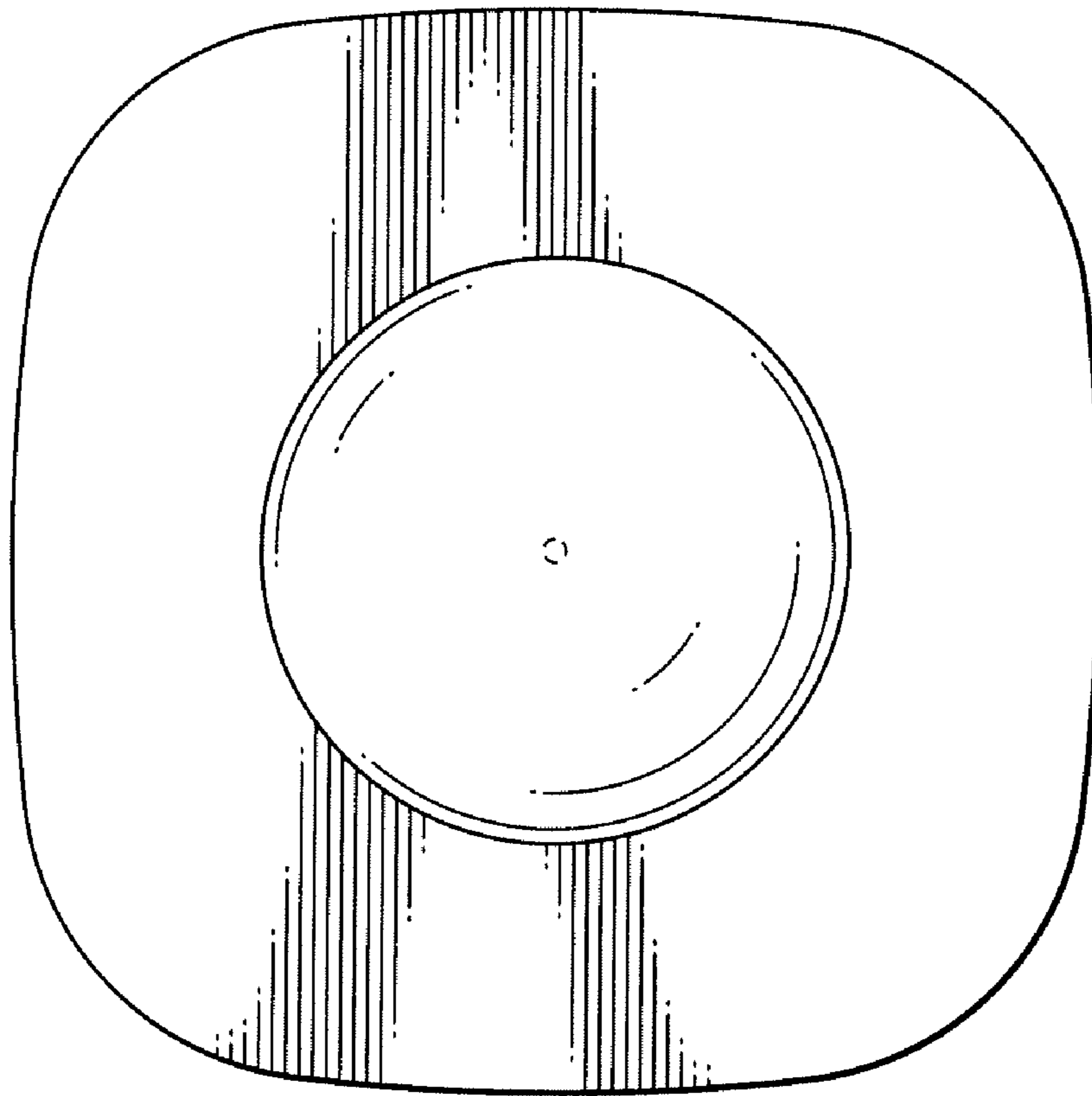


Fig. 6



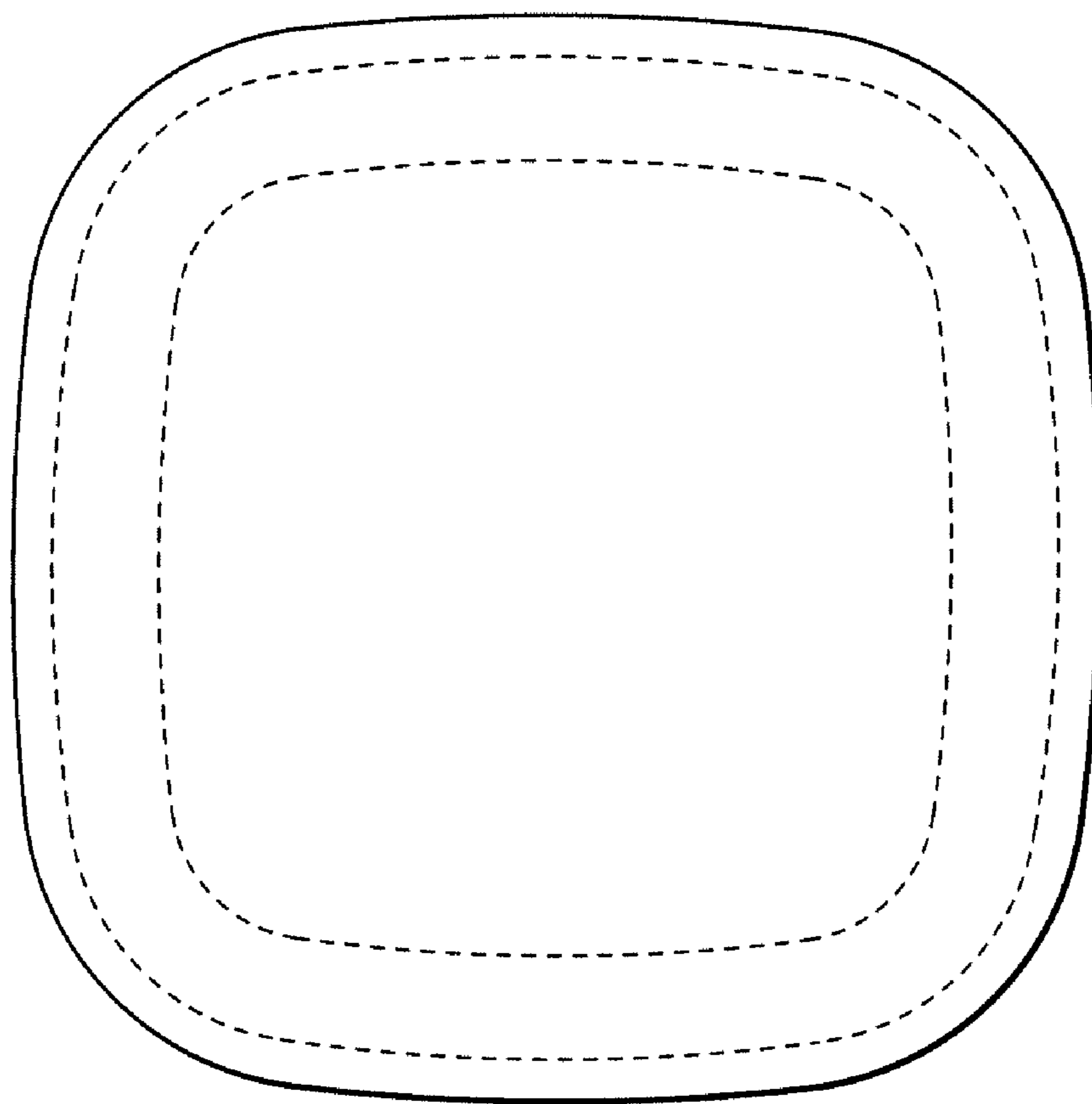


Fig. 7