

US00D624666S

(12) **United States Design Patent**
LaCroix et al.

(10) **Patent No.:** **US D624,666 S**

(45) **Date of Patent:** **** Sep. 28, 2010**

(54) **WALL BLOCK**

(75) Inventors: **David M. LaCroix**, St. Paul, MN (US);
Robert A. MacDonald, Plymouth, MN (US)

(73) Assignee: **Keystone Retaining Wall Systems, Inc.**,
Bloomington, MN (US)

(**) Term: **14 Years**

(21) Appl. No.: **29/353,457**

(22) Filed: **Jan. 8, 2010**

Related U.S. Application Data

(62) Division of application No. 29/327,515, filed on Nov. 7, 2008, now Pat. No. Des. 610,710.

(51) **LOC (9) Cl.** **25-01**

(52) **U.S. Cl.** **D25/113**

(58) **Field of Classification Search** D25/102,
D25/112-118; D21/484-486; 52/503-505,
52/574, 575, 596, 600-605; 405/284, 286;
404/29, 30, 34, 37, 41, 42

See application file for complete search history.

(56) **References Cited**

U.S. PATENT DOCUMENTS

D62,880 S	8/1923	Castellani
D75,212 S	5/1928	Clune
1,953,005 A	3/1934	Nagel
D135,257 S	3/1943	Larson
D185,611 S	6/1959	Paulson
D186,371 S	10/1959	Johnson
D188,320 S	7/1960	Frese
4,557,634 A	12/1985	Vidal
D392,052 S	3/1998	Youssefian
D501,935 S	2/2005	Dawson et al.
D511,846 S	11/2005	Evans

(Continued)

FOREIGN PATENT DOCUMENTS

WO WO 86/04947 A1 8/1986

WO WO 2005/009707 A1 2/2005
WO WO 2009/062000 A2 5/2009

OTHER PUBLICATIONS

Jul. 8, 2009 International Search Report and Written Opinion for corresponding PCT Application Serial No. PCT/US2008/082749 (16 pages).

Primary Examiner—T. Chase Nelson

Assistant Examiner—Anhdao Doan

(74) *Attorney, Agent, or Firm*—Popovich, Wiles & O'Connell, P.A.

(57) **CLAIM**

The ornamental design for a wall block, as shown and described.

DESCRIPTION

FIG. 1 is a front, bottom perspective view of a first embodiment of a wall block according to our new design;

FIG. 2 is a rear, bottom perspective view thereof;

FIG. 3 is a bottom plan view thereof;

FIG. 4 is a top plan view thereof;

FIG. 5 is a front elevational view thereof;

FIG. 6 is a rear elevational view thereof;

FIG. 7 is a left side elevational view thereof;

FIG. 8 is a right side elevational view thereof;

FIG. 9 is a front, bottom perspective view of a second embodiment of a wall block according to our new design;

FIG. 10 is a rear, bottom perspective view thereof;

FIG. 11 is a bottom plan view thereof;

FIG. 12 is a top plan view thereof;

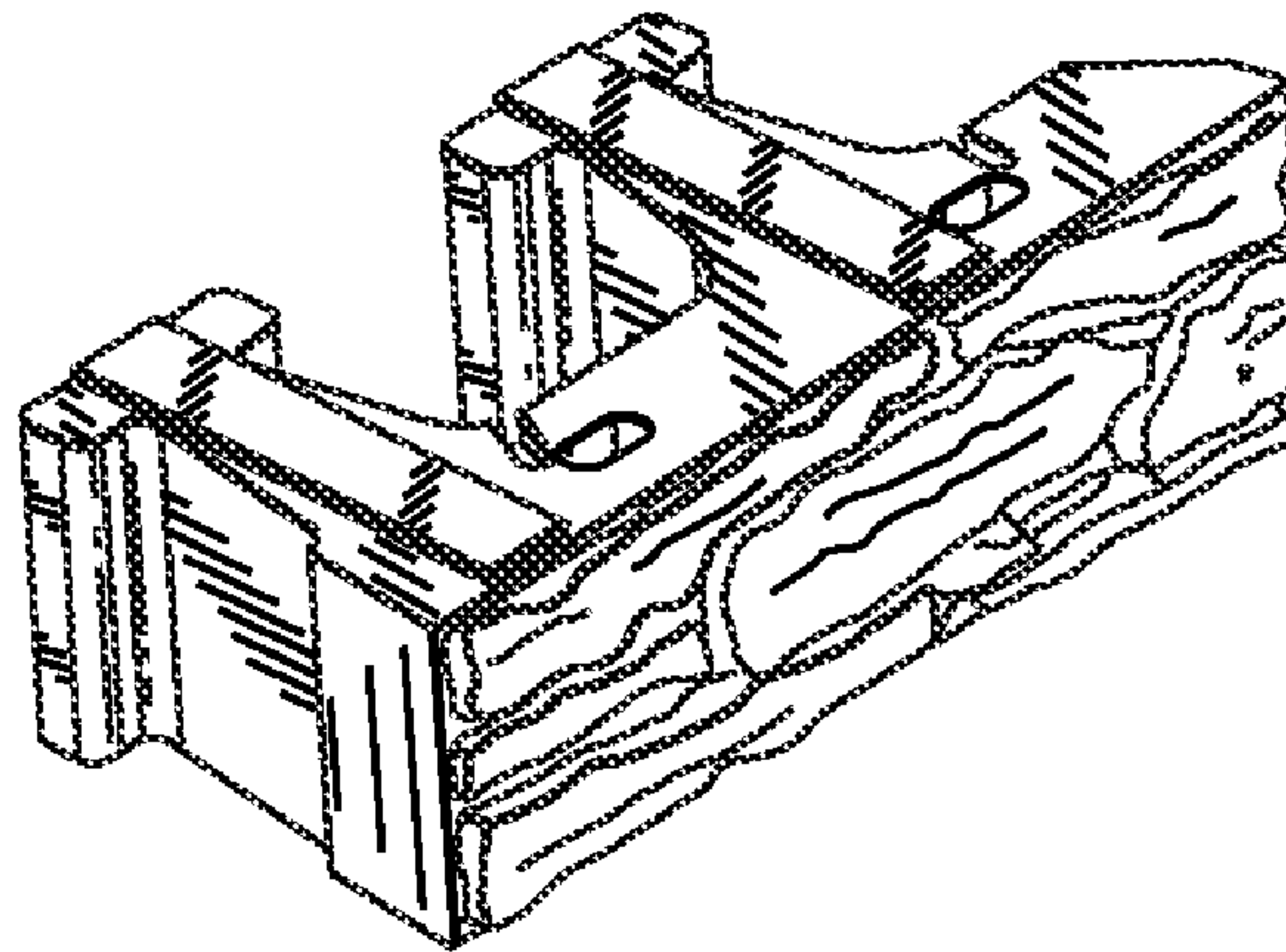
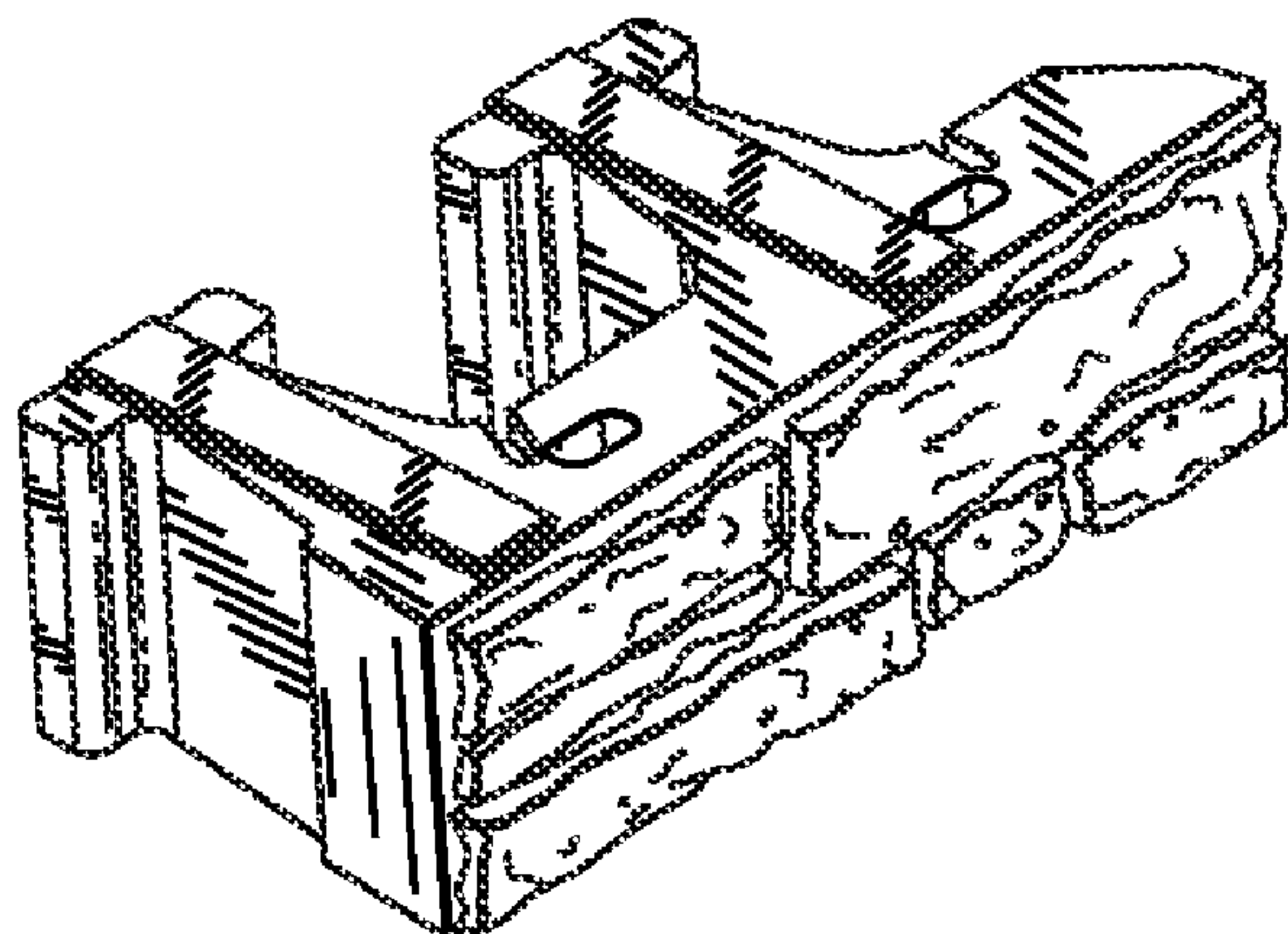
FIG. 13 is a front elevational view thereof;

FIG. 14 is a rear elevational view thereof;

FIG. 15 is a left side elevational view thereof; and,

FIG. 16 is a right side elevational view thereof.

1 Claim, 2 Drawing Sheets



US D624,666 S

Page 2

U.S. PATENT DOCUMENTS

6,978,580 B1 *	12/2005	Clark et al.	D25/113	D556,919 S	12/2007	Price	
D538,946 S	3/2007	Mugge et al.		7,497,646 B2	3/2009	Price	
D539,436 S	3/2007	Magliocco et al.		D592,318 S	5/2009	Ruegsegger	
D547,881 S	7/2007	Price et al.		7,645,098 B1 *	1/2010	Rainey	405/286
D548,367 S	8/2007	Price		2005/0016106 A1	1/2005	Dawson et al.	

* cited by examiner

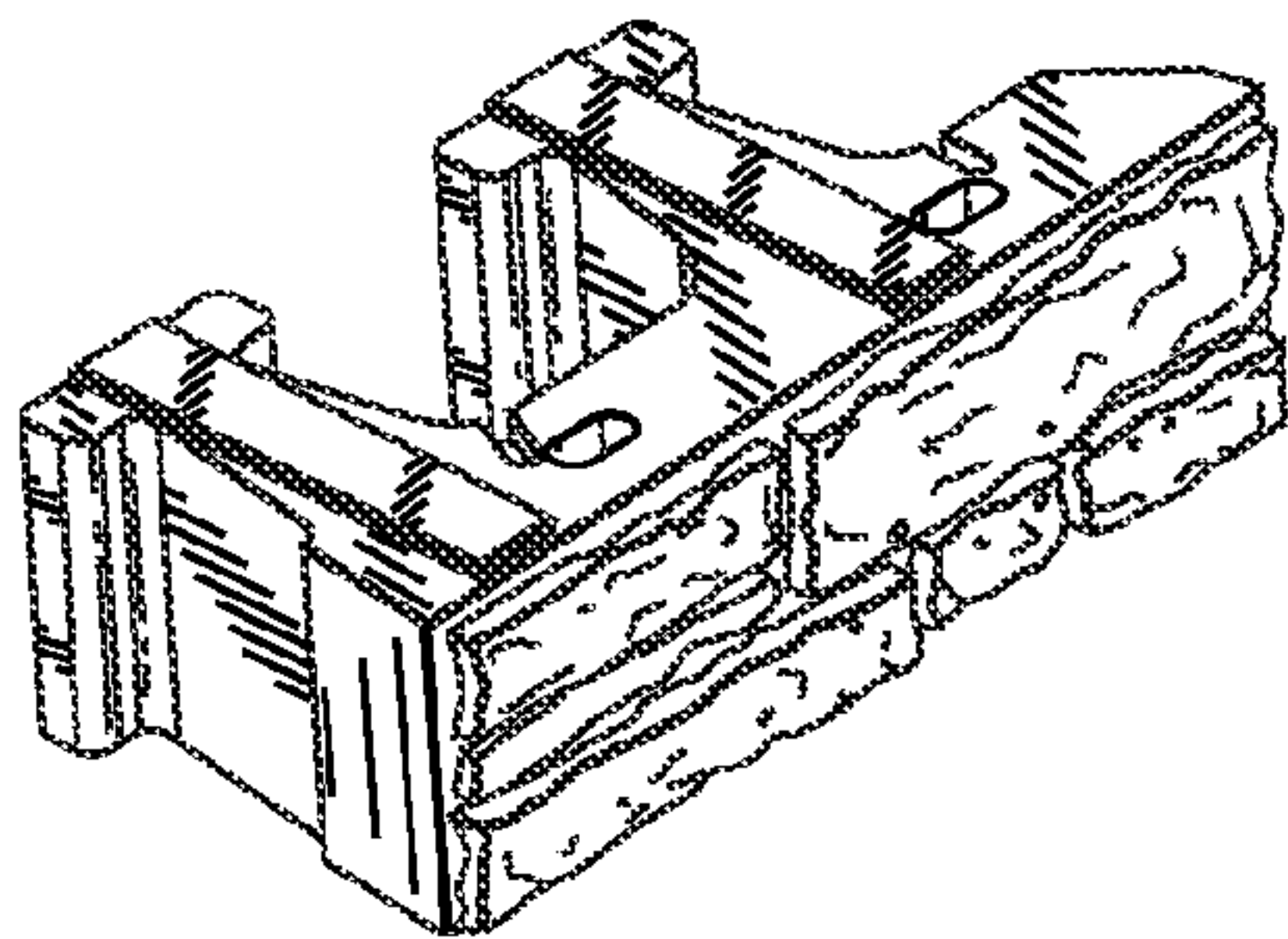


FIG. 1

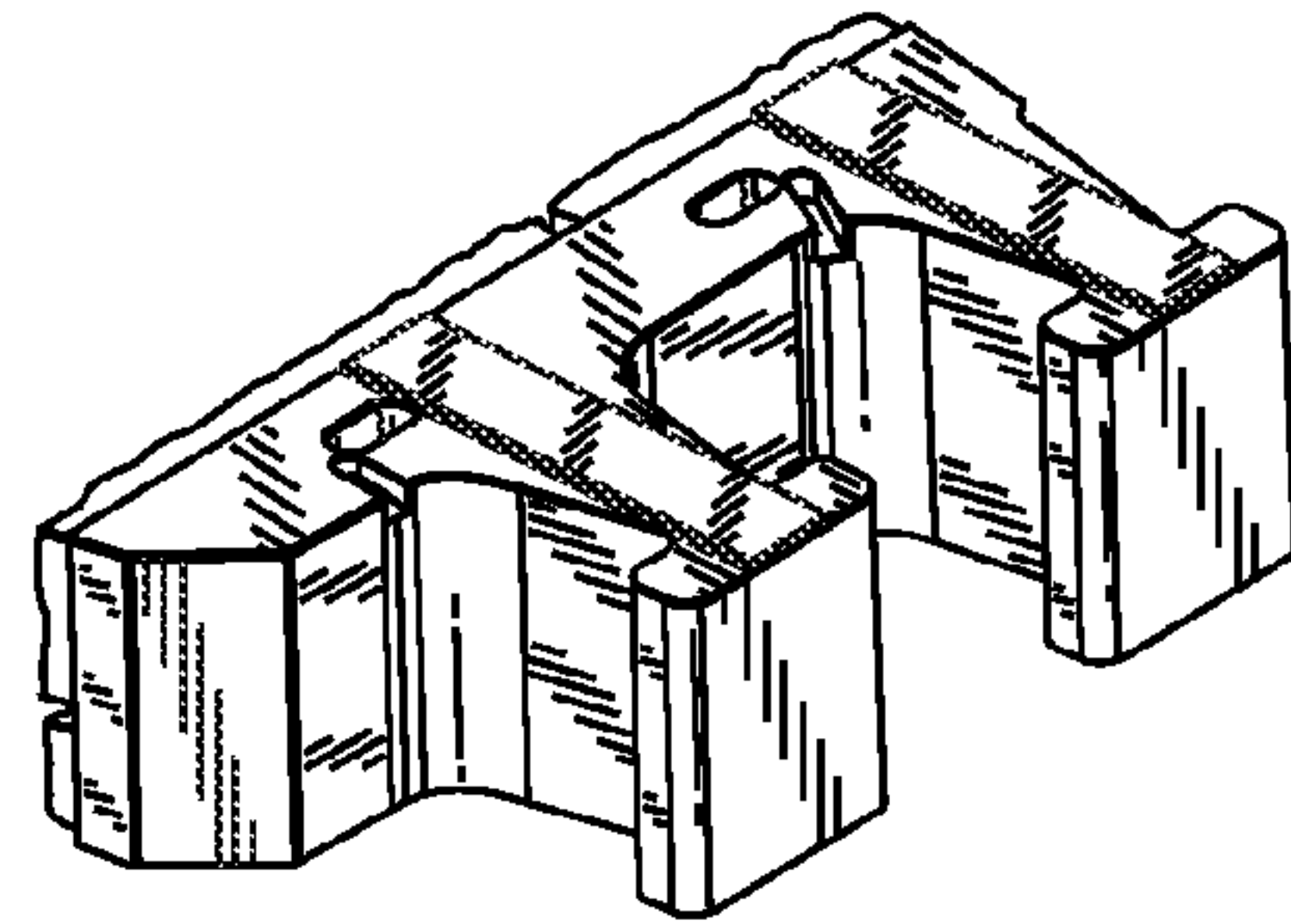


FIG. 2

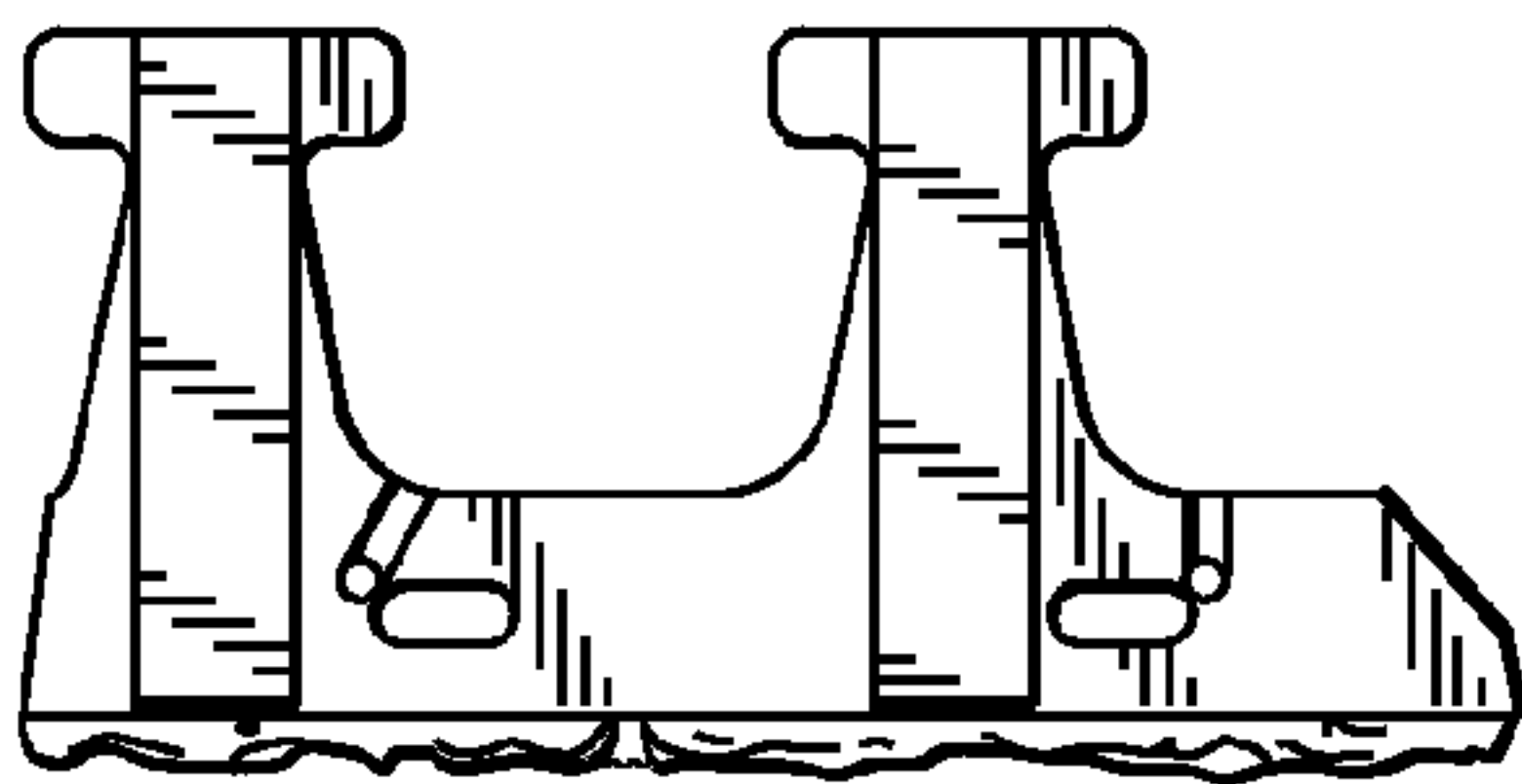


FIG. 3

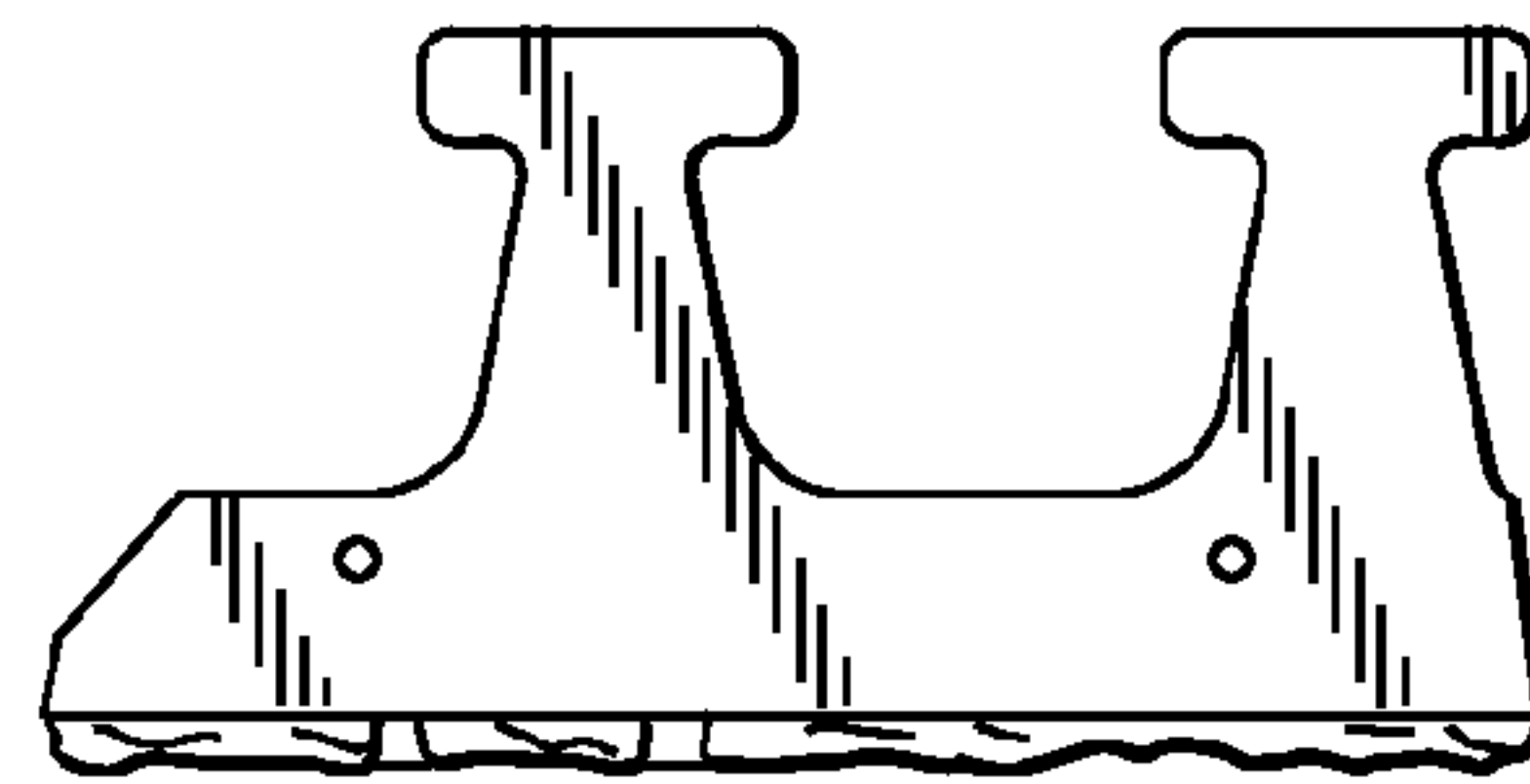


FIG. 4



FIG. 5

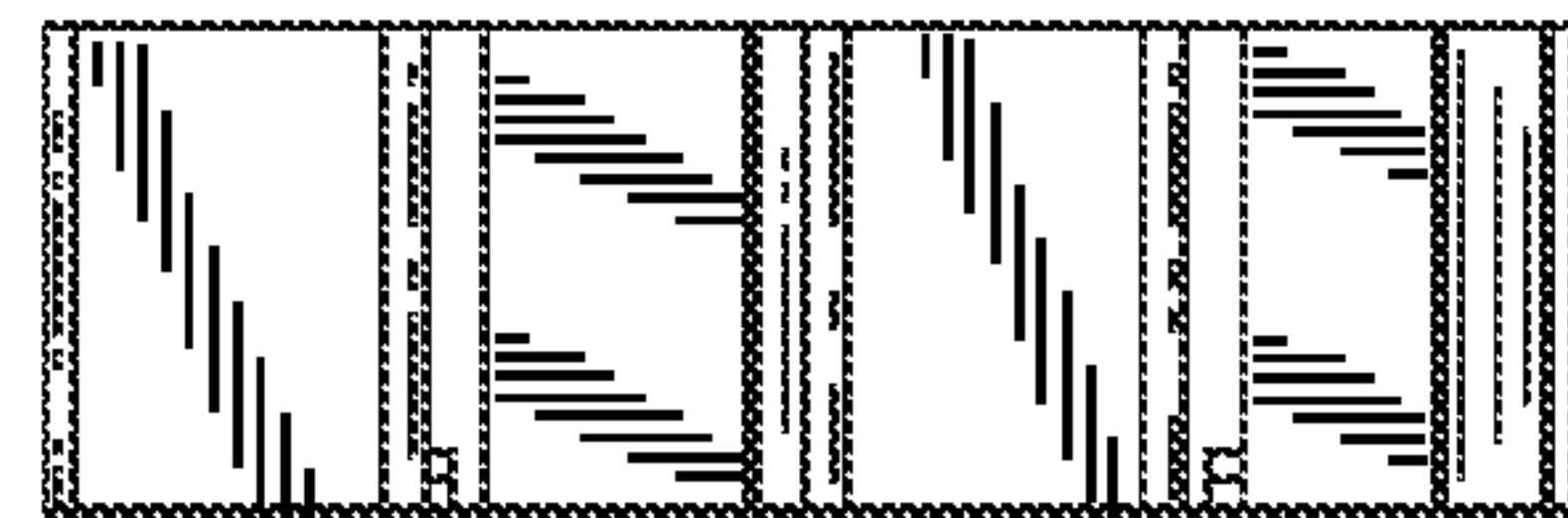


FIG. 6

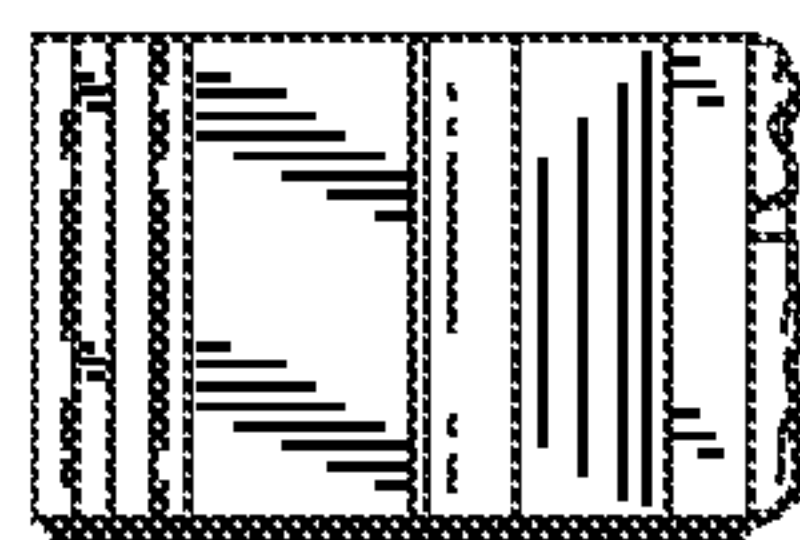


FIG. 7

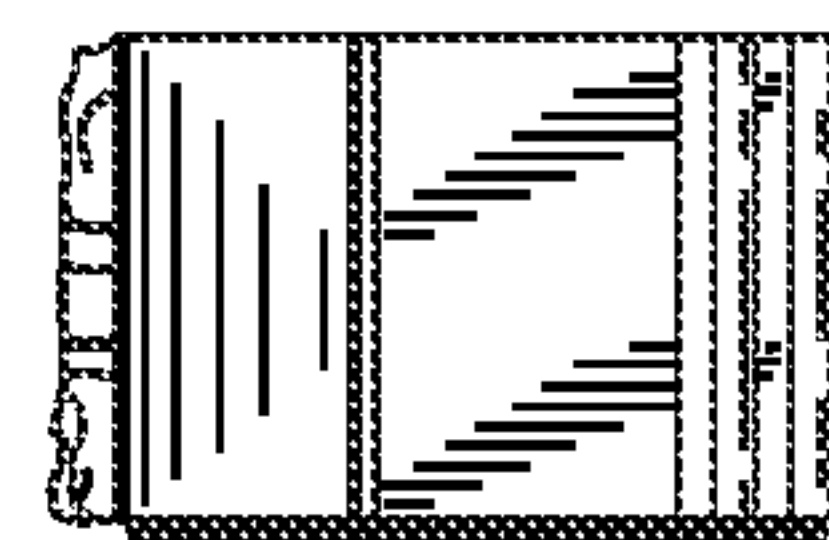


FIG. 8

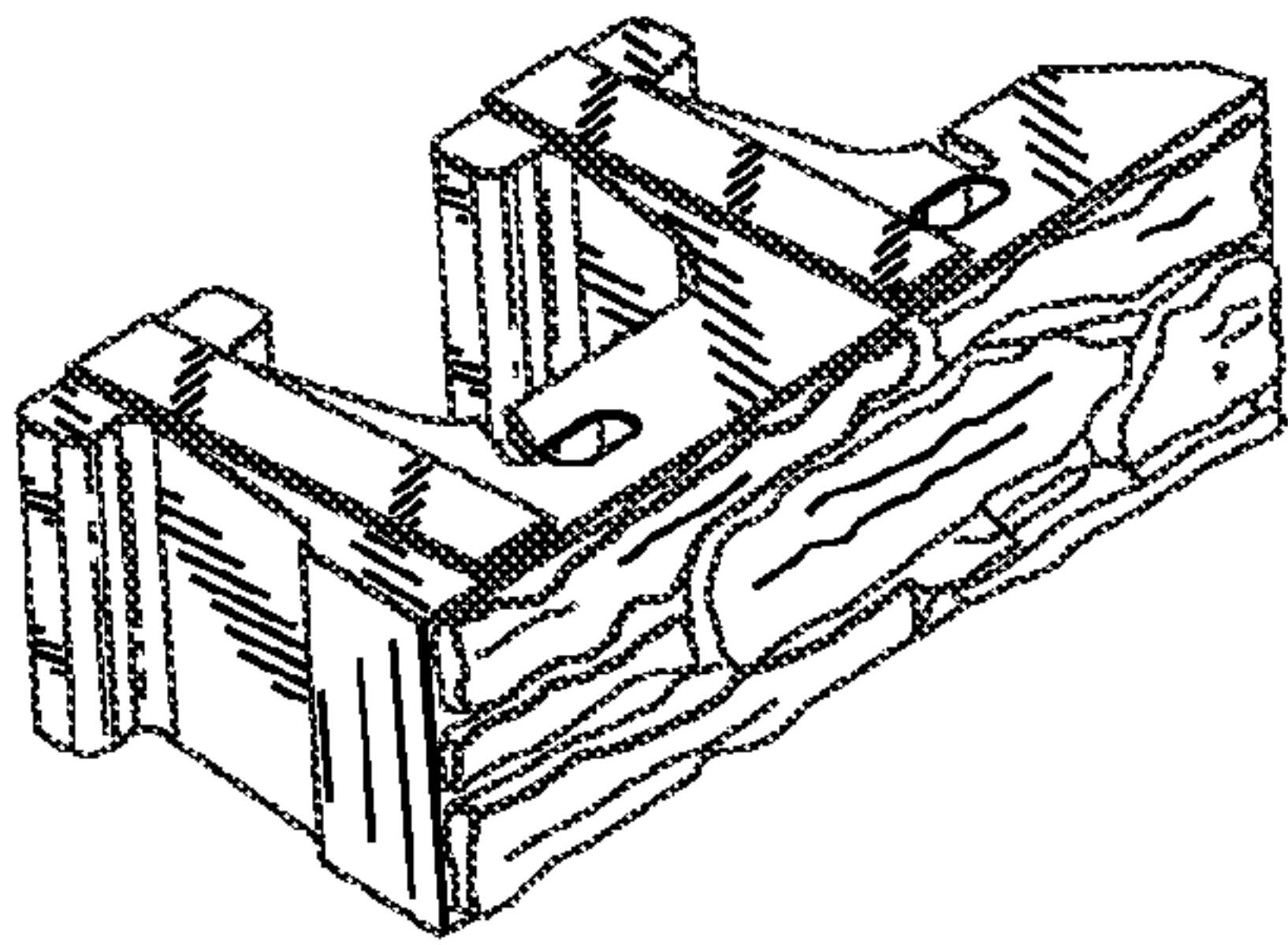


FIG. 9

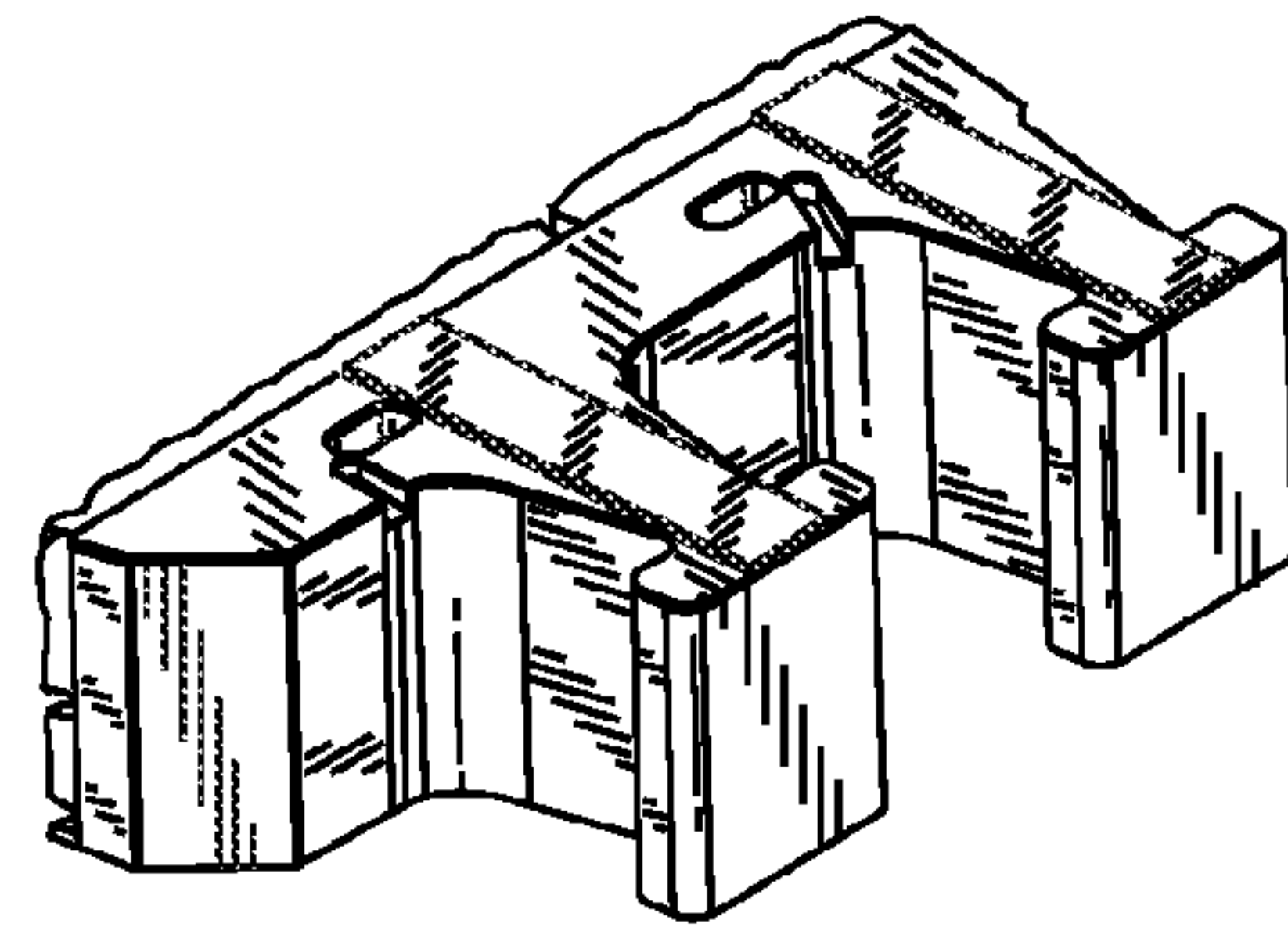


FIG. 10

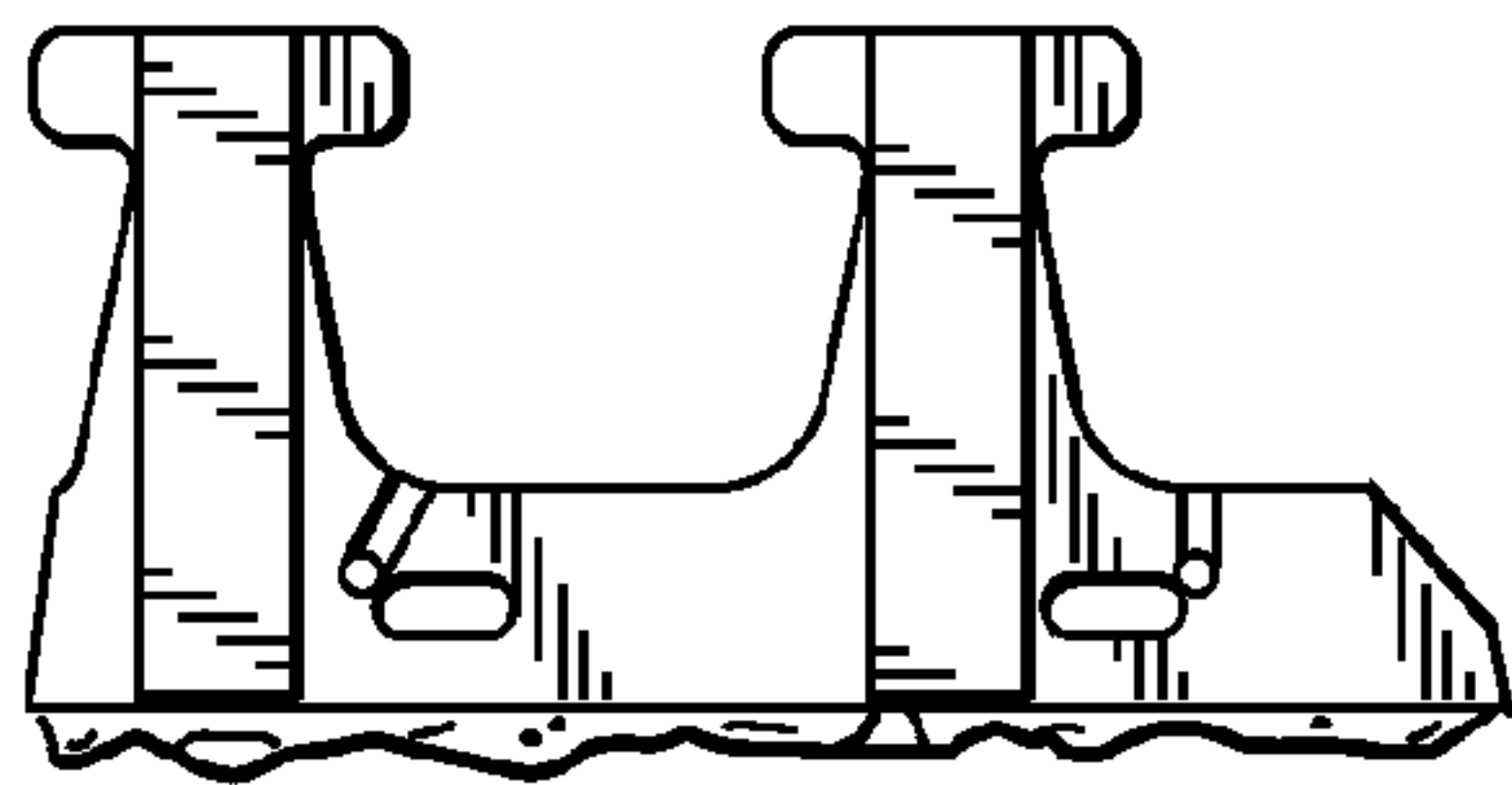


FIG. 11

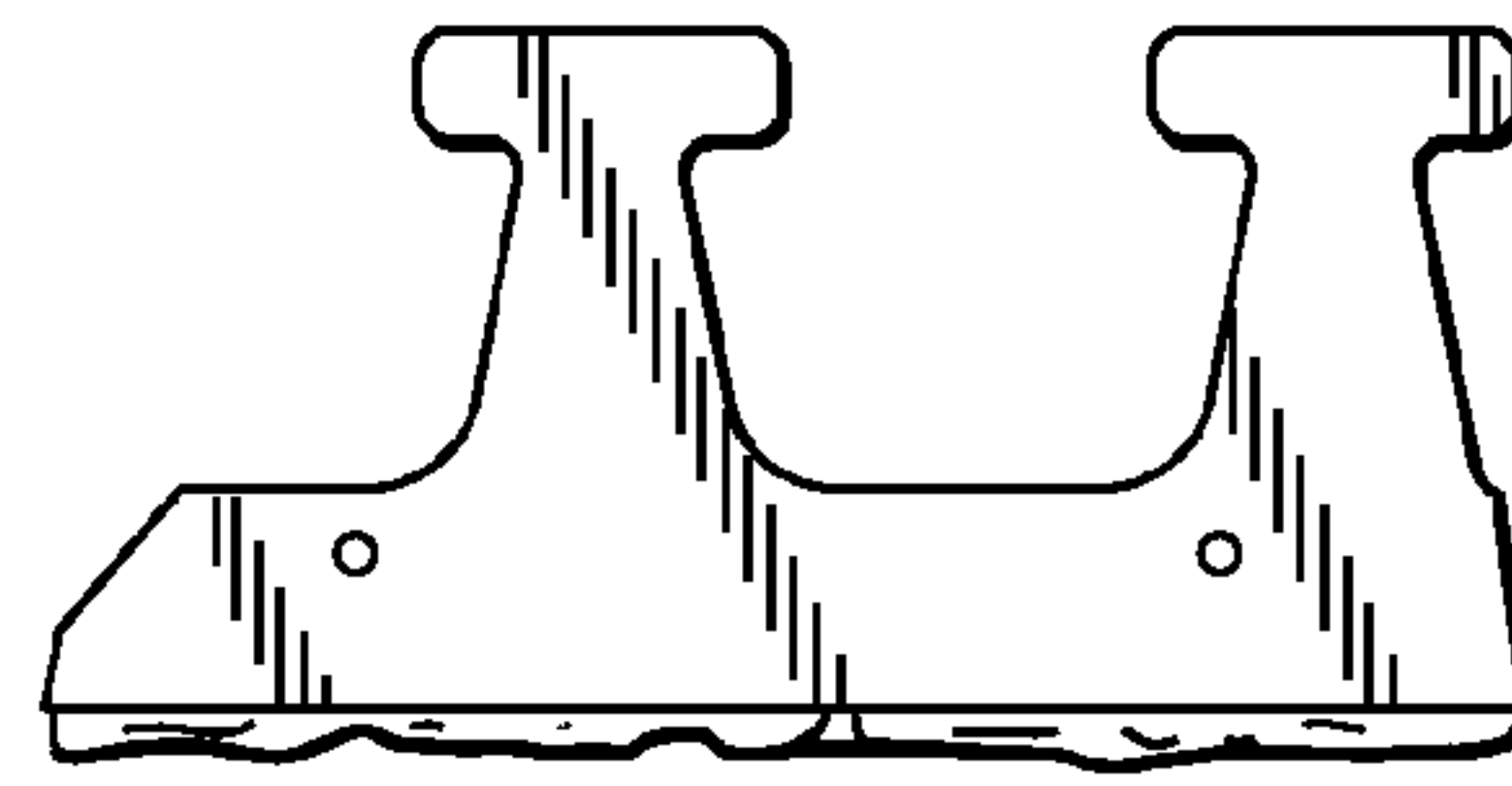


FIG. 12

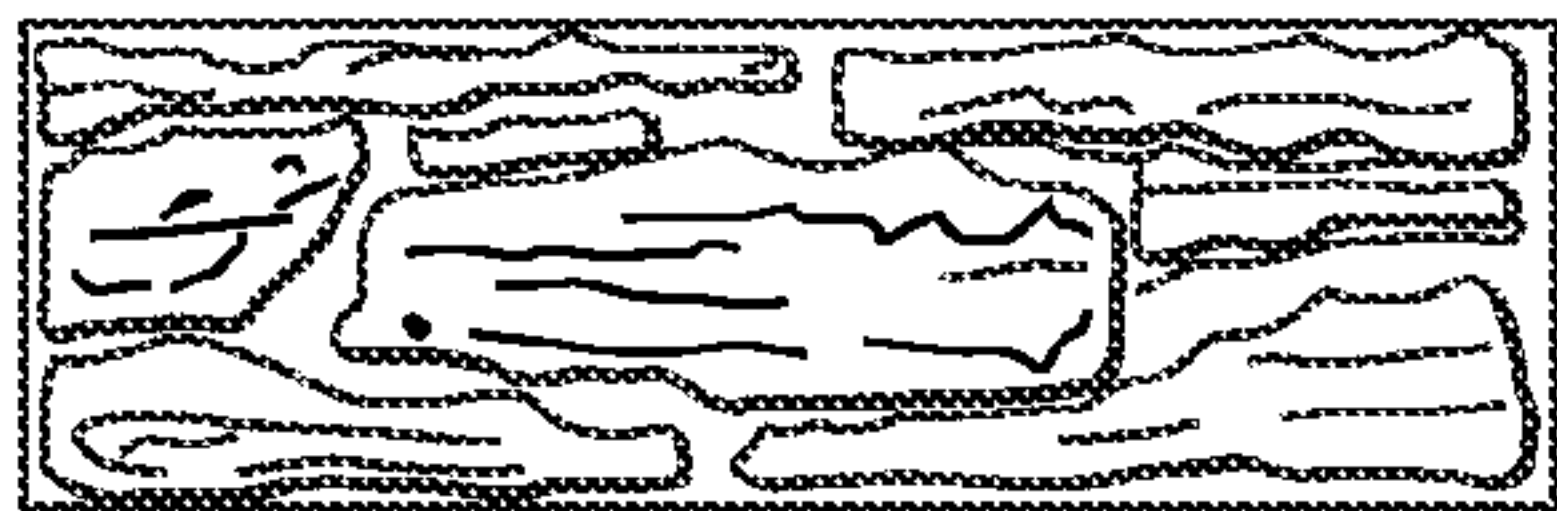


FIG. 13

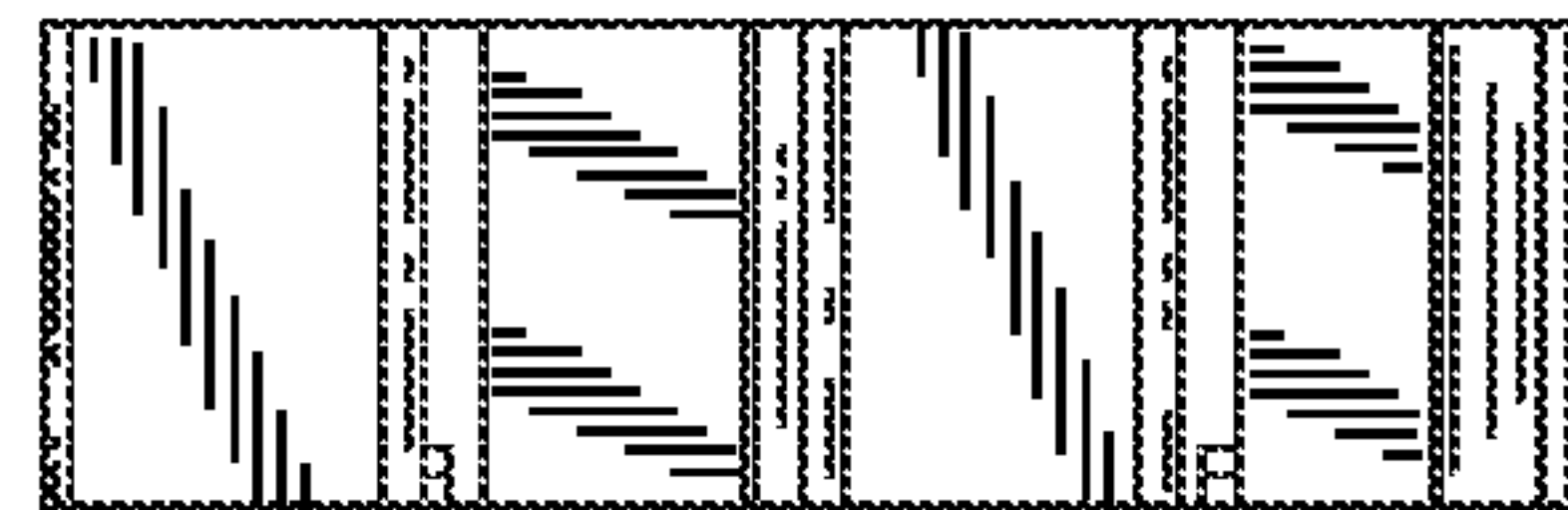


FIG. 14

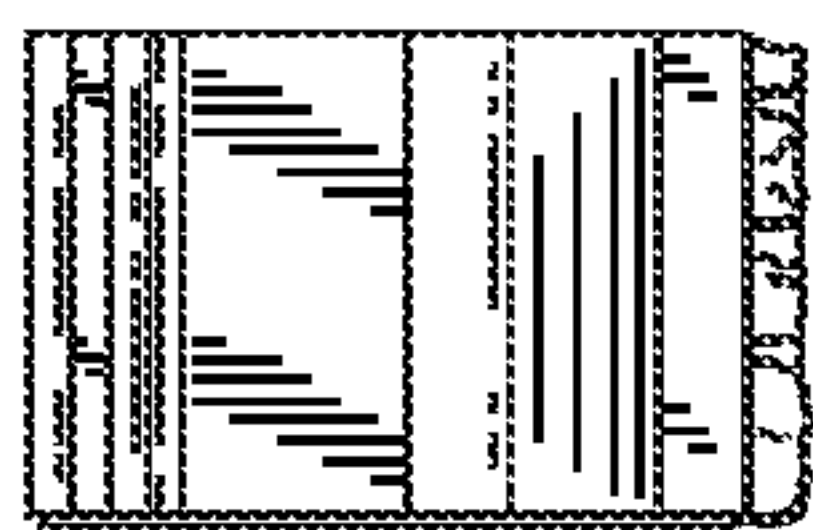


FIG. 15

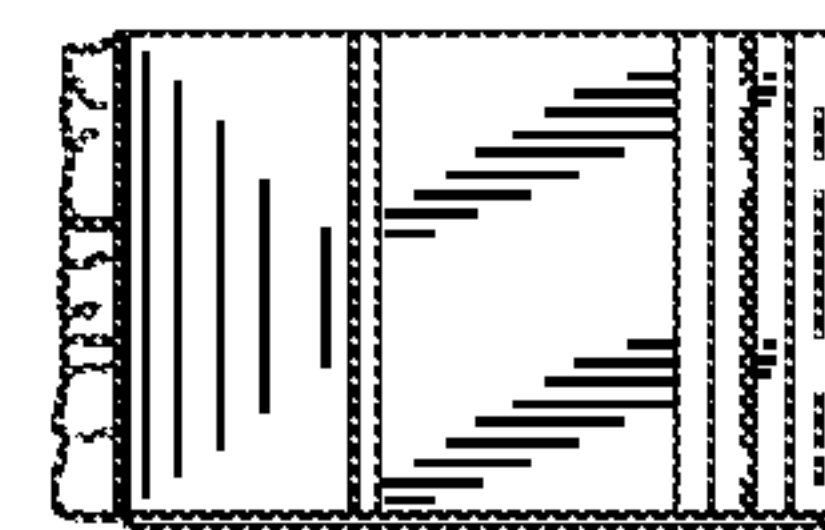


FIG. 16