



US00D624661S

(12) **United States Design Patent**
Himmelsbach et al.

(10) **Patent No.:** **US D624,661 S**
(45) **Date of Patent:** **** Sep. 28, 2010**

(54) **HOLDER FOR SAMPLE CONTAINERS**

(75) Inventors: **Kurt Himmelsbach**, Fehraltorf (CH);
Bent Grossniklaus, Neerach (CH)

(73) Assignee: **Bruker BioSpin AG**, Faellanden (CH)

(**) Term: **14 Years**

(21) Appl. No.: **29/357,900**

(22) Filed: **Mar. 18, 2010**

Related U.S. Application Data

(63) Continuation of application No. 29/323,014, filed on Aug. 15, 2008.

Foreign Application Priority Data

Feb. 26, 2008 (EM) 000886684

(51) **LOC (9) Cl.** **24-02**

(52) **U.S. Cl.** **D24/230**

(58) **Field of Classification Search** D24/216,
D24/224, 226-232; 422/63-64, 99-104,
422/266, 297, 300; 211/71.01, 85.13, 74;
217/58; D3/294, 295; 206/563; 220/379
See application file for complete search history.

(56) **References Cited**

U.S. PATENT DOCUMENTS

D264,810 S * 6/1982 Voltmann D24/226

4,349,632 A * 9/1982 Lyman et al. 220/379
D271,239 S * 11/1983 Lemieux et al. D24/230
5,487,872 A * 1/1996 Hafeman et al. 422/101
D418,297 S * 1/2000 Budert D3/295
6,019,225 A * 2/2000 Kalmakis et al. 211/74
6,875,405 B1 * 4/2005 Mathus et al. 422/102
D526,064 S * 8/2006 Wood D24/229
D529,622 S * 10/2006 Hadjis et al. D24/229
D574,505 S * 8/2008 Muller-Cohn et al. D24/216

* cited by examiner

Primary Examiner—T. Chase Nelson

Assistant Examiner—Mark Cavanna

(74) *Attorney, Agent, or Firm*—Walter A. Hackler

(57) **CLAIM**

The ornamental design for holder for sample containers, as shown and described.

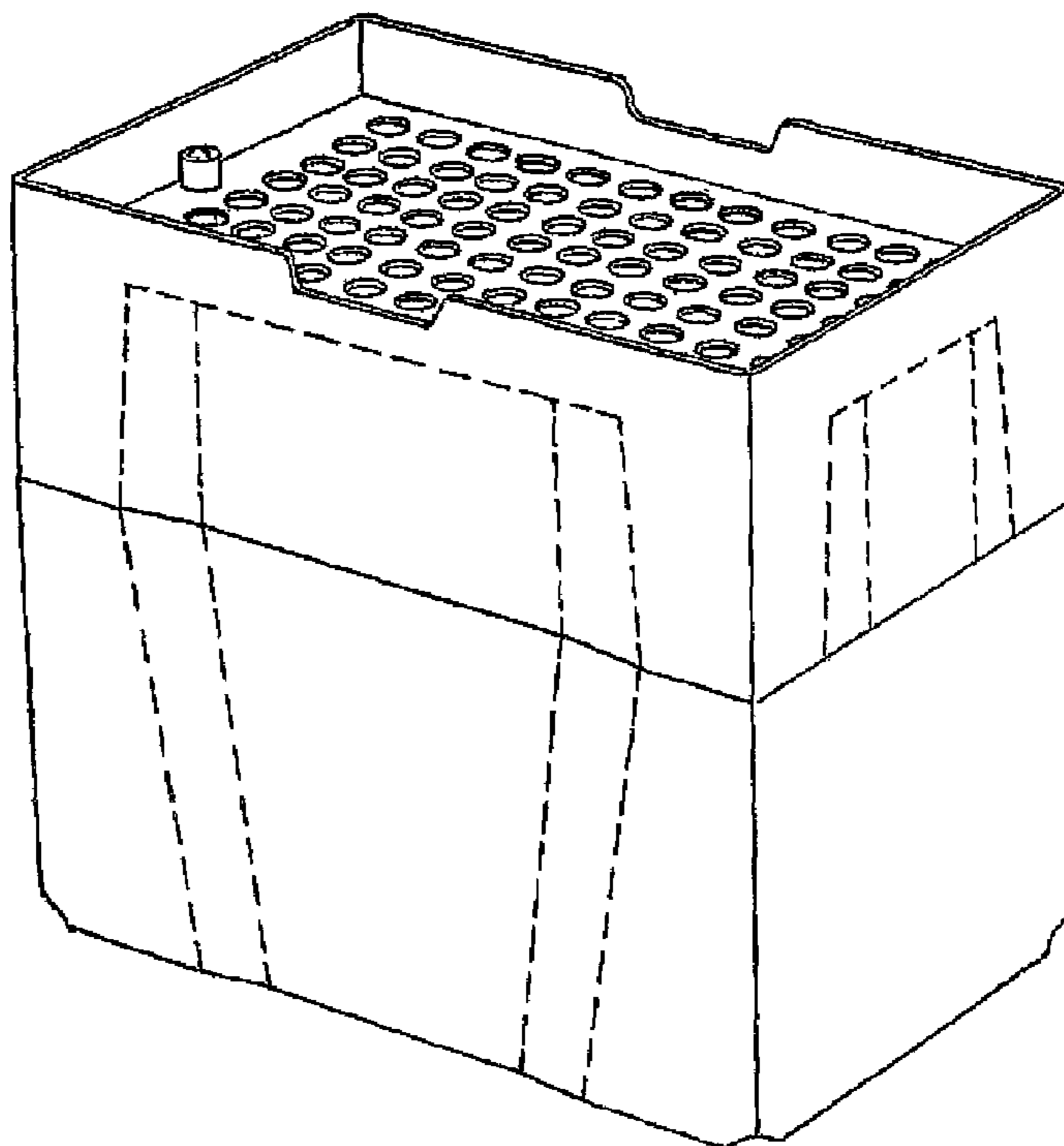
DESCRIPTION

FIG. 1 is an end, top and side perspective view of a holder for sample containers showing our new design with the opposite side and end being identical; and,

FIG. 2 is a bottom plan view of the holder of FIG. 1.

The broken lines are included for the purpose of illustrating portions of the holder for sample containers that forms no part of the claimed design.

1 Claim, 1 Drawing Sheet



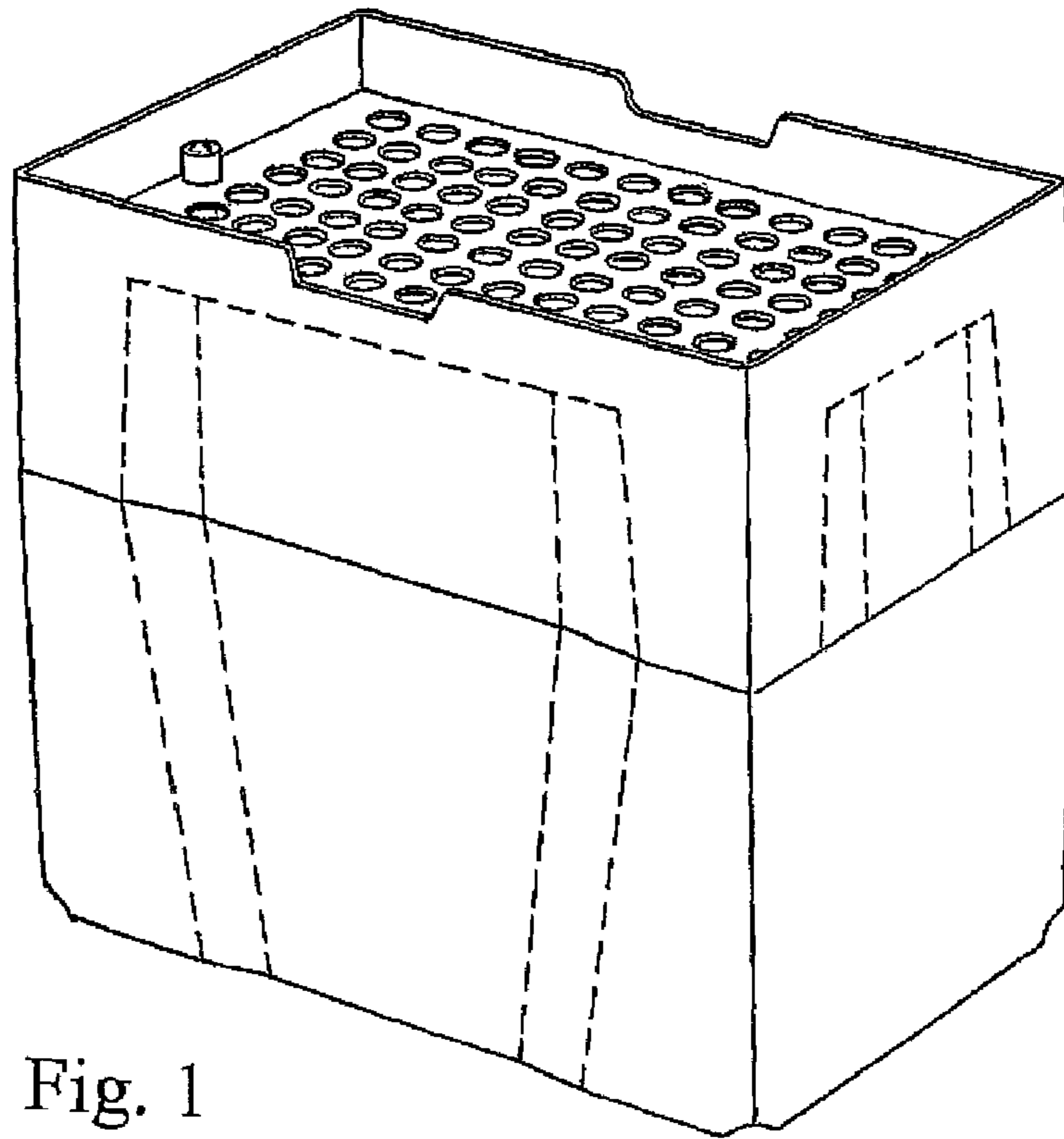


Fig. 1

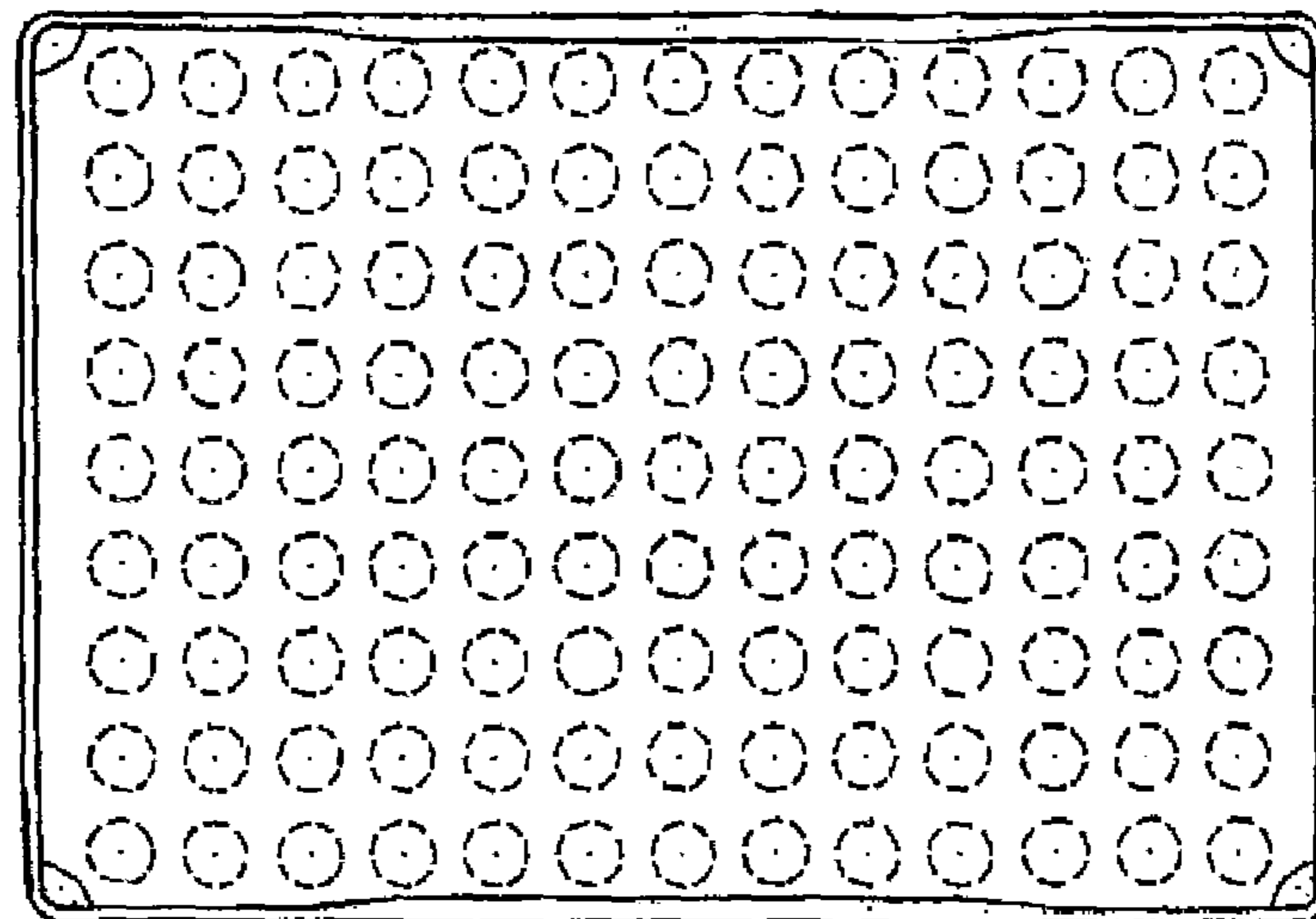


Fig. 2