



US00D624652S

(12) **United States Design Patent**
Carus et al.

(10) **Patent No.:** **US D624,652 S**

(45) **Date of Patent:** **** Sep. 28, 2010**

(54) **SURGICAL INSTRUMENT FOR USE IN SINGLE-ACCESS SURGERY**

(75) Inventors: **Thomas Carus**, Cuxhaven (DE);
Sebastian Wagner, Bretten (DE)

(73) Assignee: **Karl Storz GmbH & Co. KG** (DE)

(**) Term: **14 Years**

(21) Appl. No.: **29/344,849**

(22) Filed: **Oct. 5, 2009**

(30) **Foreign Application Priority Data**

Apr. 3, 2009 (EM) 001117782-0012

(51) **LOC (9) Cl.** **24-02**

(52) **U.S. Cl.** **D24/143**

(58) **Field of Classification Search** D24/143,
D24/133, 146-147, 137-138, 148-149, 144-145;
D8/53-55, 60; 600/197, 217, 218, 226; 606/205-207,
606/167, 170, 48, 51-52

See application file for complete search history.

(56) **References Cited**

U.S. PATENT DOCUMENTS

D370,064 S *	5/1996	Livneh	D24/146
D401,691 S *	11/1998	Koros et al.	D24/144
D509,297 S *	9/2005	Wells	D24/145
7,461,767 B2 *	12/2008	Viola et al.	606/219
D601,251 S *	9/2009	Horton et al.	D24/133
7,666,206 B2 *	2/2010	Taniguchi et al.	606/206
2008/0294191 A1 *	11/2008	Lee	606/205

2010/0160940 A1* 6/2010 Lutze et al. 606/170

* cited by examiner

Primary Examiner—Ian Simmons

Assistant Examiner—Wan Laymon

(74) *Attorney, Agent, or Firm*—St. Onge Steward Johnston & Reens LLC

(57) **CLAIM**

The ornamental design for an surgical instrument for use in single-access surgery, as shown and described.

DESCRIPTION

FIG. 1 is a left side perspective view of an surgical instrument for use in single-access surgery in accordance with the new design;

FIG. 2 is a right side elevation view thereof;

FIG. 3 is a top plan view thereof;

FIG. 4 is a bottom plan view thereof;

FIG. 5 is a front elevation view thereof;

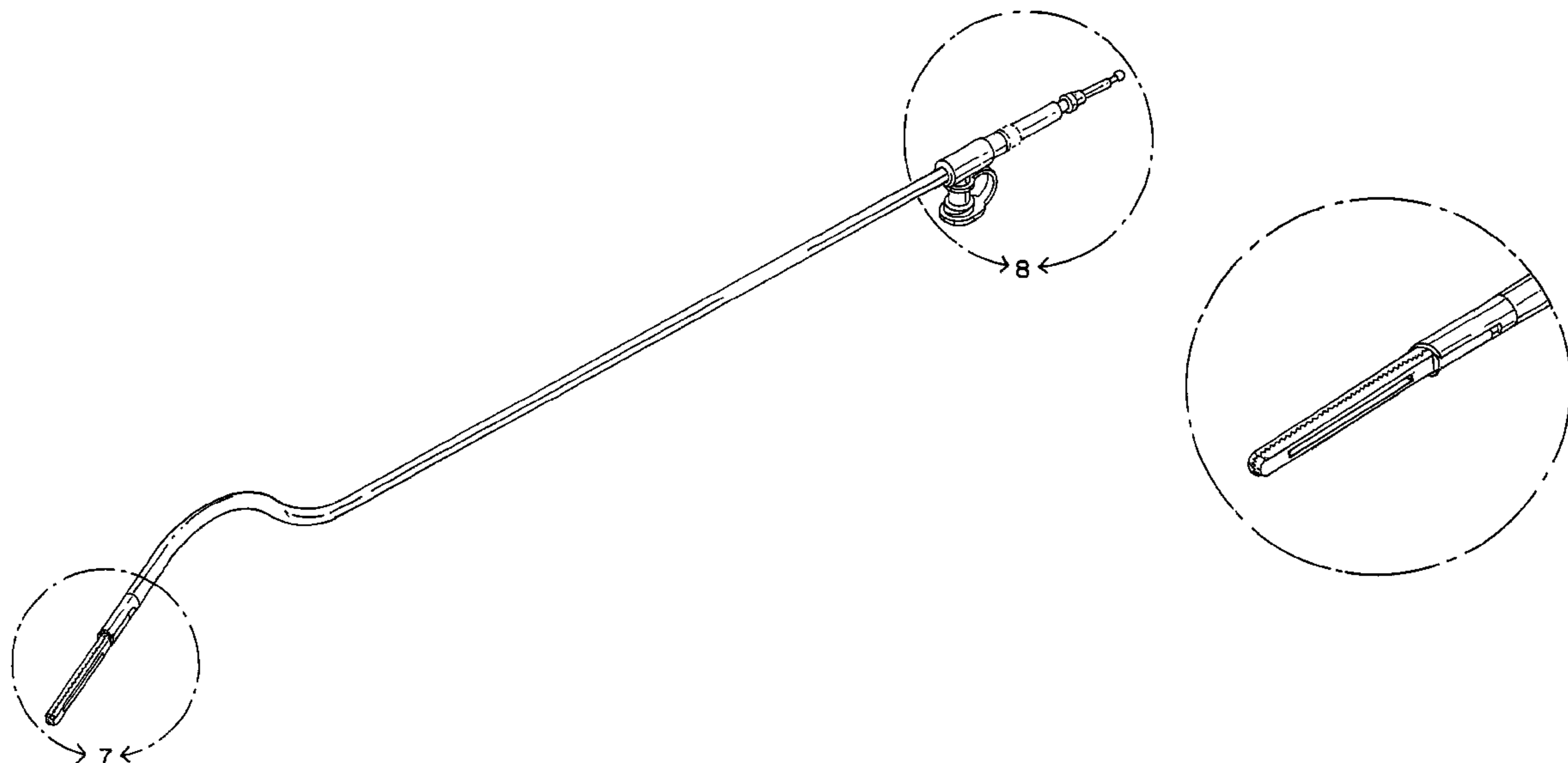
FIG. 6 is a rear elevation view thereof;

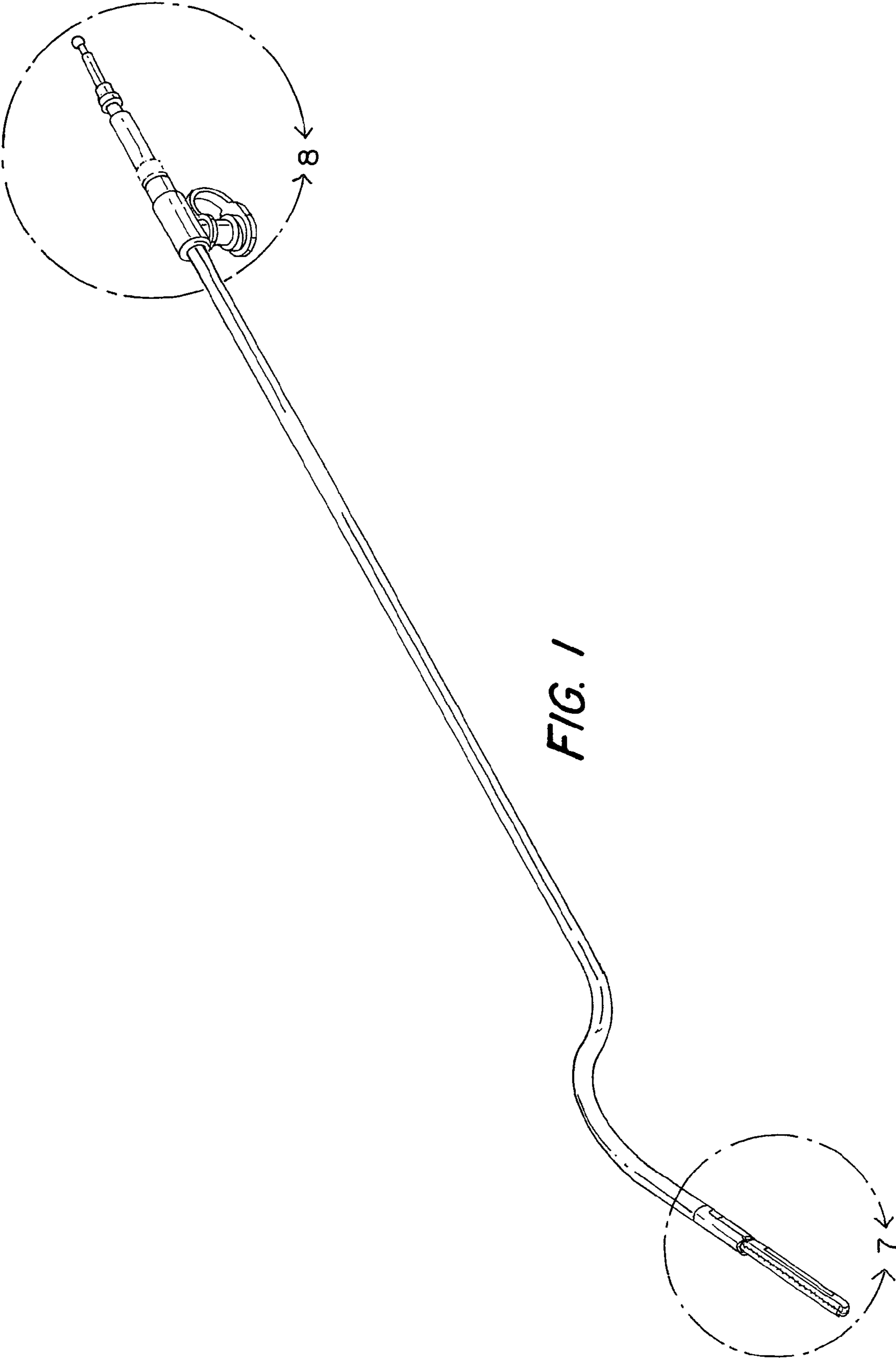
FIG. 7 is an enlarged perspective view of the area labeled “7” in FIG. 1; and,

FIG. 8 is an enlarged perspective view of the area labeled “8” in FIG. 1.

The broken line showing portions of the instrument for use in single-access surgery represent an internal boundary of the design, with the lines themselves and the areas within, forming no part of the claimed.

1 Claim, 4 Drawing Sheets





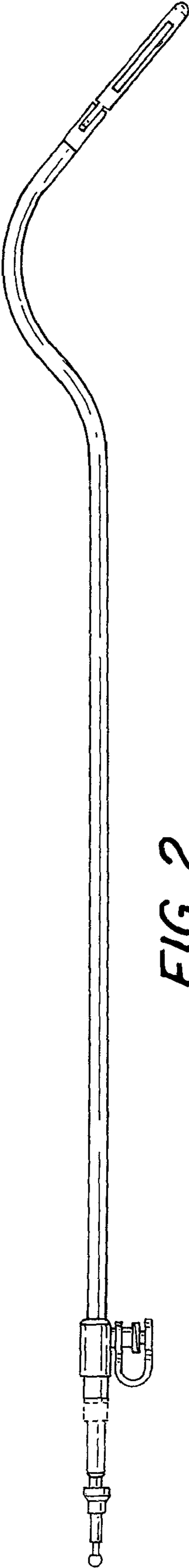


FIG. 2

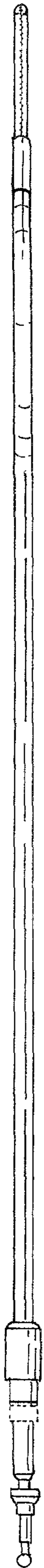


FIG. 3



FIG. 4



FIG. 6

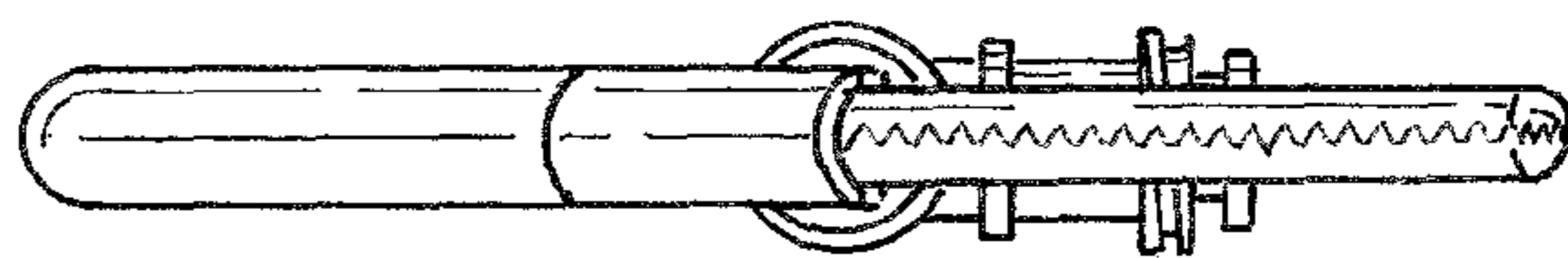


FIG. 5

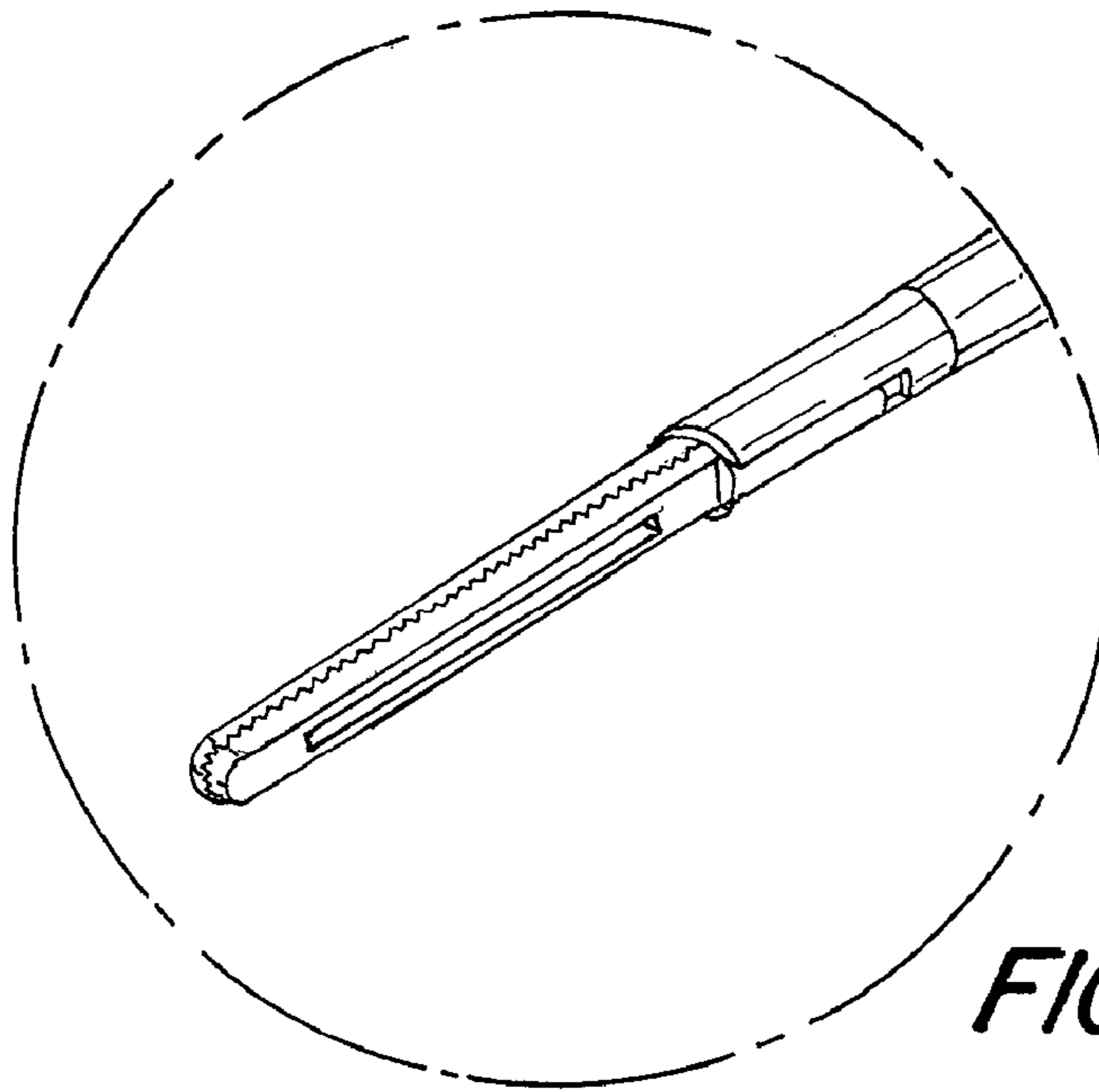


FIG. 7

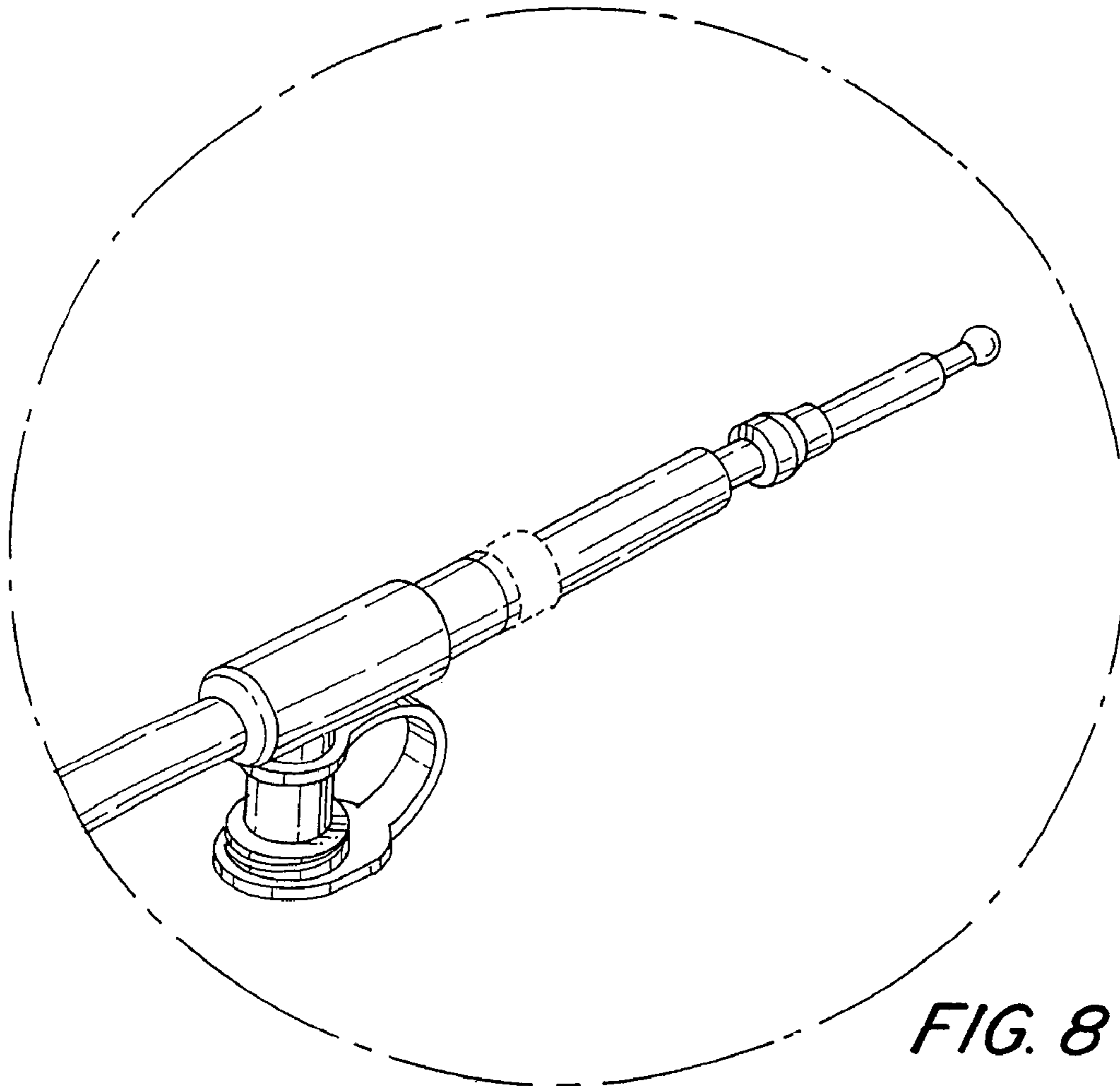


FIG. 8