

US00D624649S

(12) **United States Design Patent**
Seeh et al.

(10) **Patent No.:** **US D624,649 S**

(45) **Date of Patent:** **** Sep. 28, 2010**

(54) **LAPAROSCOPE**

(75) Inventors: **Daniel Seeh**, Immendingen (DE);
Sabine Pauli, Tuttlingen (DE)

(73) Assignee: **Henke-Sass, Wolf GmbH**, Tuttlingen
(DE)

(**) Term: **14 Years**

(21) Appl. No.: **29/343,413**

(22) Filed: **Sep. 11, 2009**

(30) **Foreign Application Priority Data**

Mar. 19, 2009 (EM) 001108997

(51) **LOC (9) Cl.** **24-02**

(52) **U.S. Cl.** **D24/137; D24/133**

(58) **Field of Classification Search** D24/133,
D24/134, 135, 136, 137, 138, 139, 140, 141,
D24/142, 143, 146, 150, 152, 144, 145, 147,
D24/148, 149, 151, 153, 154, 127, 128, 129,
D24/130, 107-108, 112, 111, 200; D23/233,
D23/235; D8/40, 47, 57, 60, 67, 68, 69,
D8/80, 82, 83, 84, 93, 94, 97, 107, 72, 73,
D8/74, 52, 56; 600/101, 104, 105, 106, 109,
600/112, 131, 135, 160, 162, 431, 564, 568,
600/184, 220-223, 224, 225-227, 201-203,
600/210-218; 606/129, 186, 4, 5, 6, 7, 102,
606/86 A, 86 B, 119, 151, 157, 191-200;
81/9.22; 604/48

See application file for complete search history.

(56) **References Cited**

U.S. PATENT DOCUMENTS

D232,591 S * 8/1974 Haberman D24/144
4,375,818 A * 3/1983 Suwaki et al. 600/463
4,784,133 A * 11/1988 Mackin 606/7
D389,912 S * 1/1998 Emerson et al. D24/133
D402,757 S * 12/1998 Davis et al. D24/133
5,857,851 A * 1/1999 Chavanne 433/88
6,027,497 A * 2/2000 Daniel et al. 606/15
6,174,307 B1 * 1/2001 Daniel et al. 606/15

6,540,737 B2 * 4/2003 Bacher et al. 606/1
D474,276 S * 5/2003 Greise et al. D16/219
D523,455 S * 6/2006 Greise et al. D16/202
D535,393 S * 1/2007 Pilvisto et al. D24/138
D564,093 S * 3/2008 Marchand et al. D24/133
D576,725 S * 9/2008 Shumer et al. D24/133
2002/0177847 A1 * 11/2002 Long 606/46
2009/0143640 A1 * 6/2009 Saadat et al. 600/104

FOREIGN PATENT DOCUMENTS

EM 001108997-0001 * 3/2009

OTHER PUBLICATIONS

Prior Art Photographs, Olympus Endoscope, prior to Sep. 11, 2009.
Prosecution history for U.S. Appl. No. 29/316,380, filed Sep. 18,
2009, Inventors: Seeh et al.
U.S. Appl. No. 29/316,380, filed Sep. 18, 2009, Seeh et al.

* cited by examiner

Primary Examiner—Jeffrey D Asch

Assistant Examiner—Bridget L Eland

(74) *Attorney, Agent, or Firm*—Patterson Theunte
Christensen Pedersen, P.A.

(57) **CLAIM**

The ornamental design for a laparoscope, as shown and
described.

DESCRIPTION

FIG. 1 is an isometric view of a laparoscope.

FIG. 2 is a top view of a laparoscope.

FIG. 3 is a bottom view of a laparoscope.

FIG. 4 is a right view of a laparoscope.

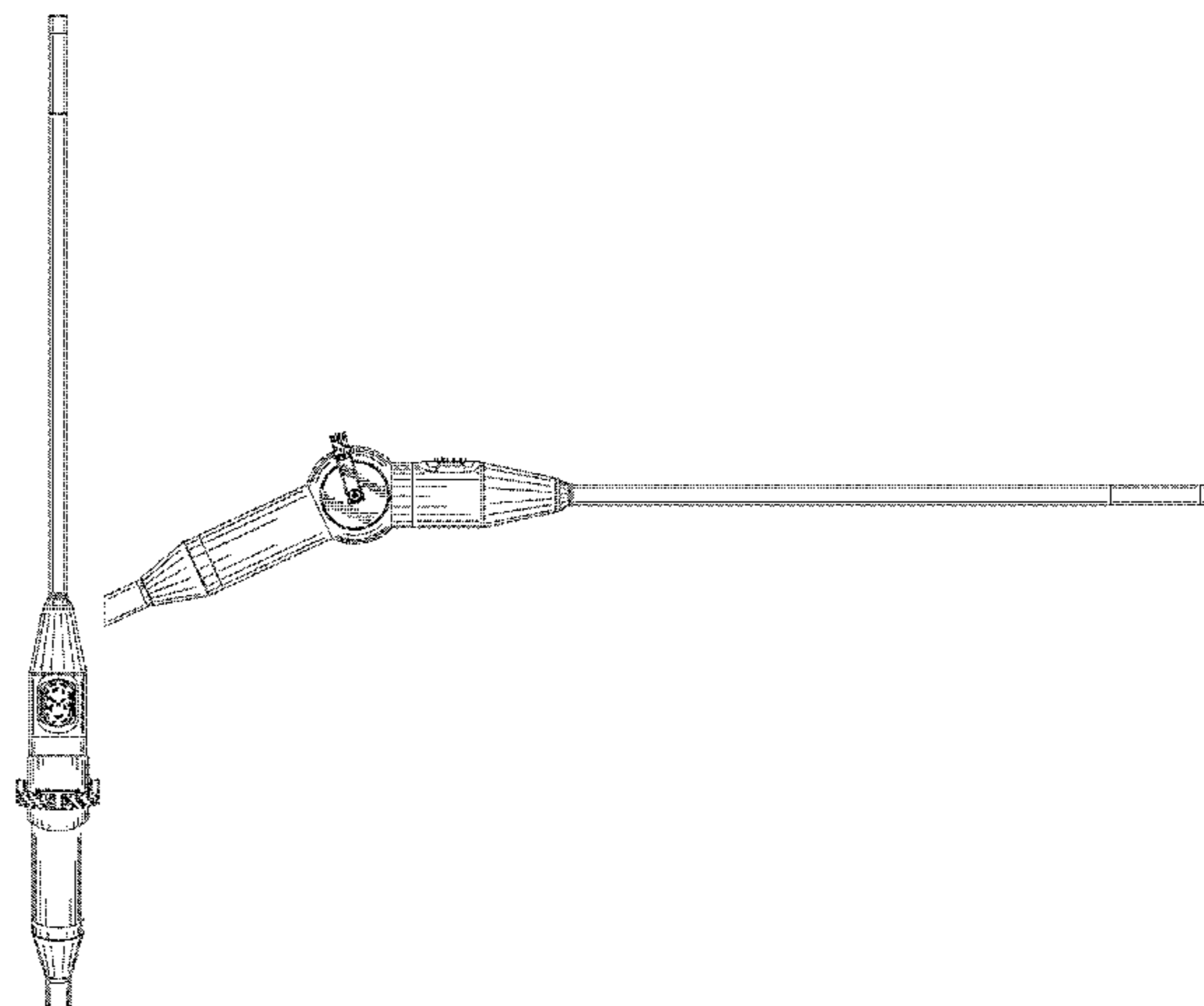
FIG. 5 is a left view of a laparoscope.

FIG. 6 is a front view of a laparoscope; and,

FIG. 7 is a back view of a laparoscope.

The broken lines immediately adjacent the shaded areas rep-
resent the bounds of the claimed design; none of the broken
lines form any part of the claimed design.

1 Claim, 7 Drawing Sheets



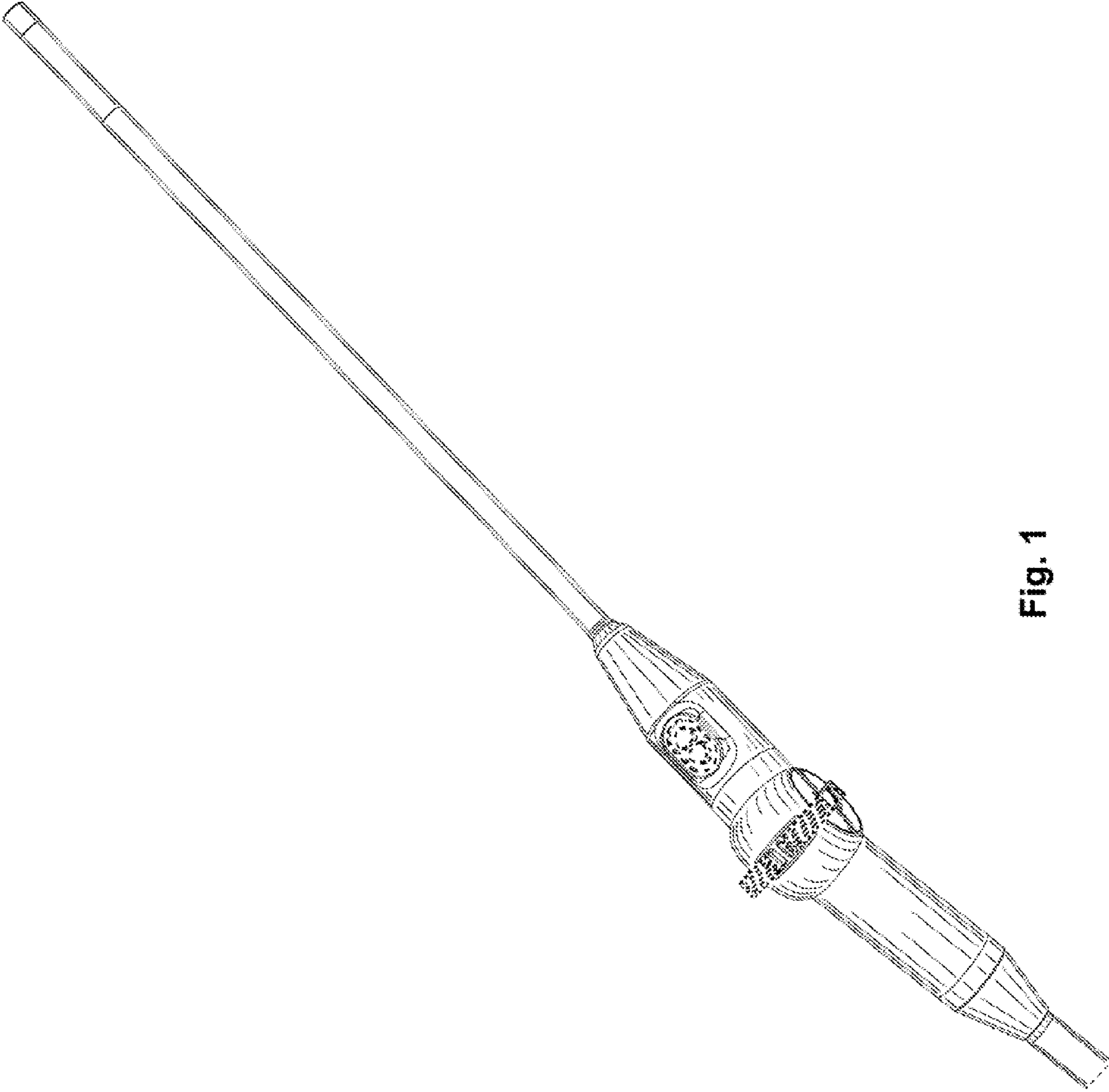


Fig. 1

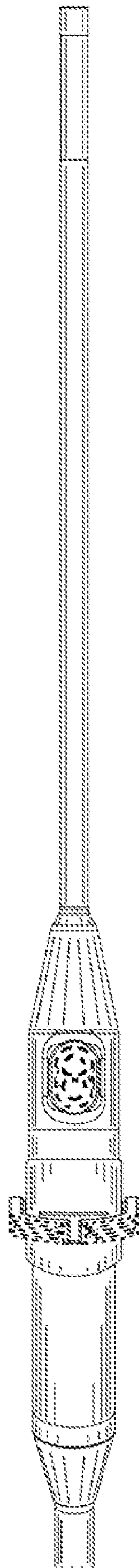


Fig. 2

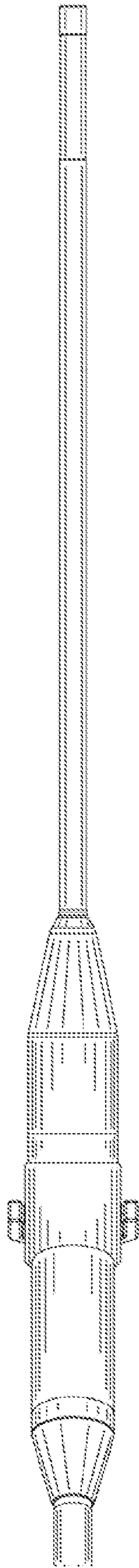


Fig. 3

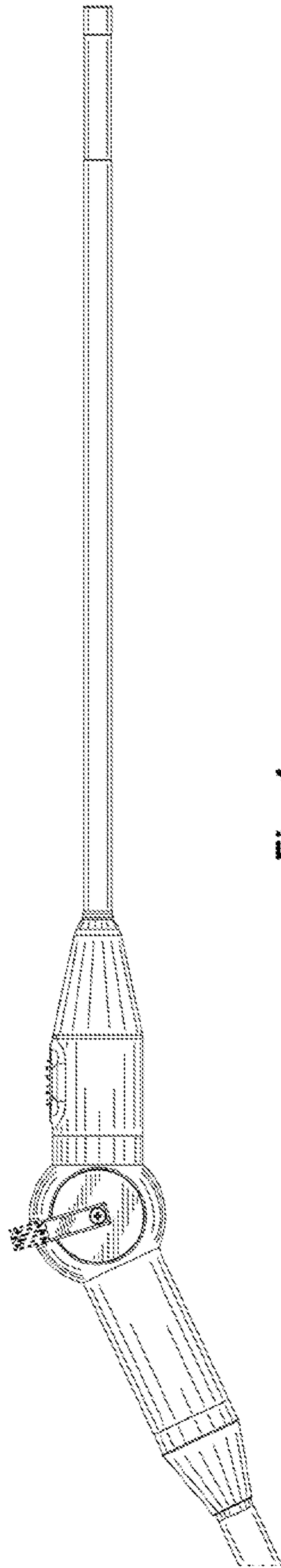


Fig. 4

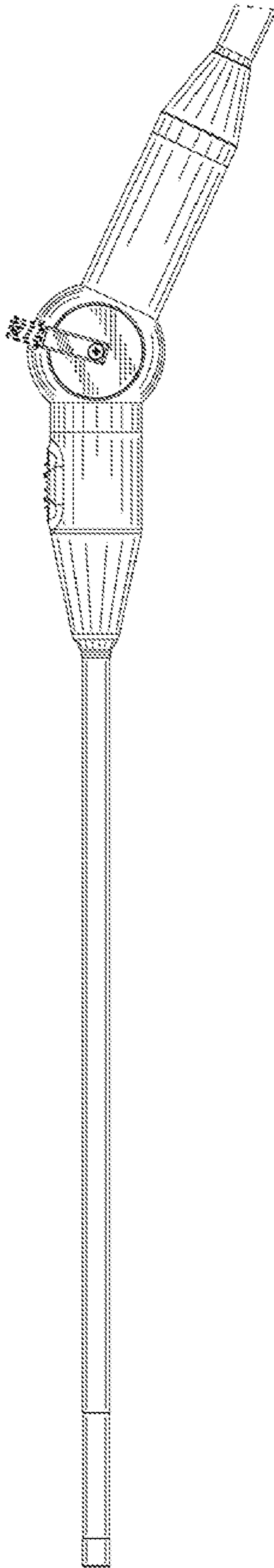


Fig. 5

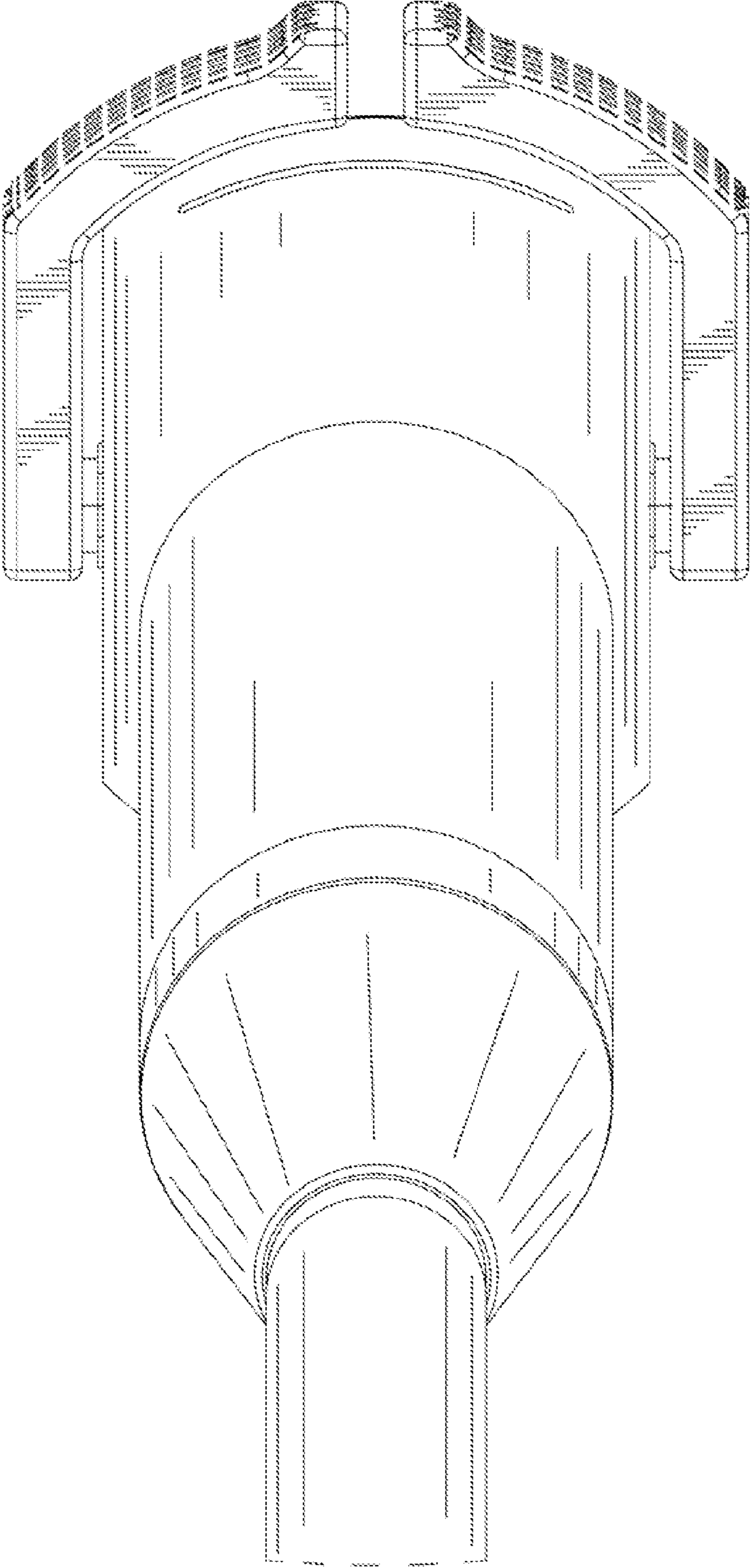


Fig. 6

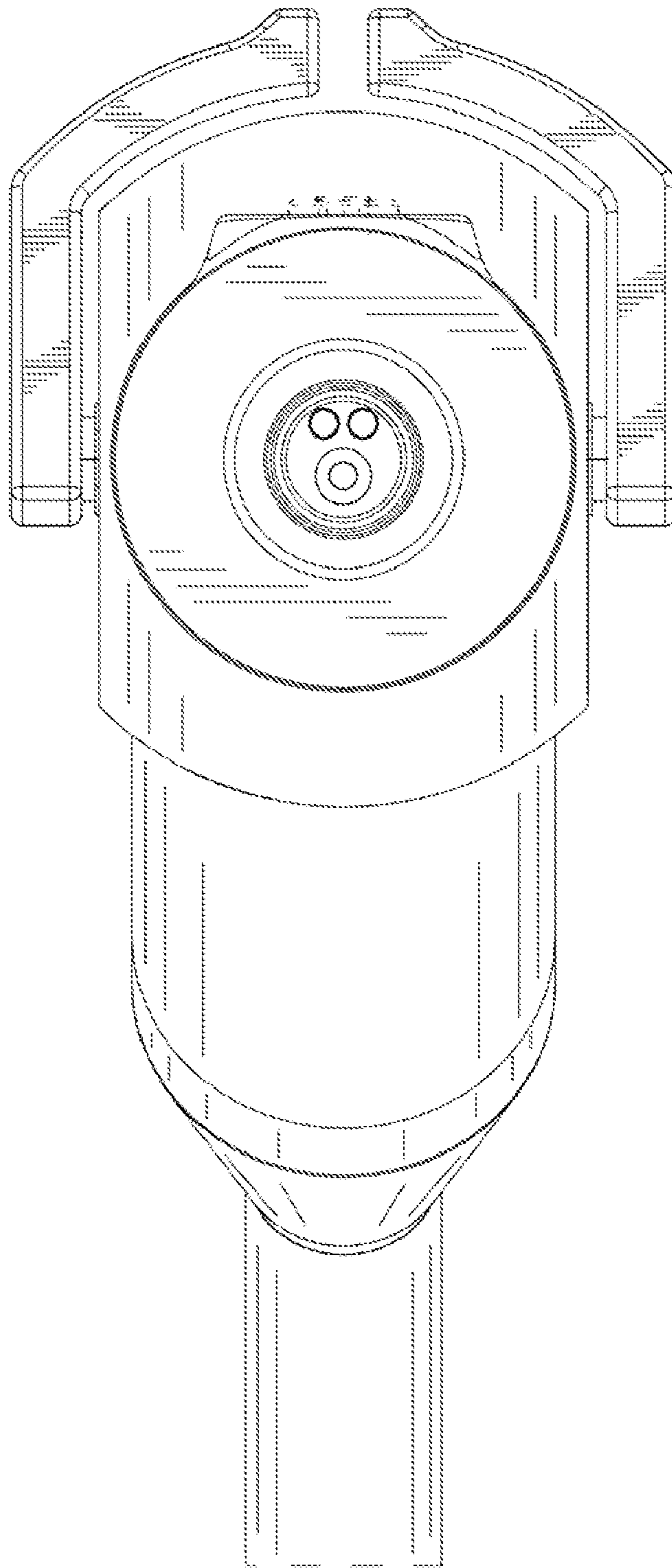


Fig. 7