



US00D624647S

(12) **United States Design Patent**
Dionisi

(10) **Patent No.:** **US D624,647 S**

(45) **Date of Patent:** **** Sep. 28, 2010**

(54) **WORKING ELEMENT FOR UTERUS
MANIPULATOR**

(75) Inventor: **Humberto Dionisi**, Cordoba (AR)

(73) Assignee: **Karl Storz GmbH & Co. KG** (DE)

(**) Term: **14 Years**

(21) Appl. No.: **29/353,820**

(22) Filed: **Jan. 14, 2010**

(30) **Foreign Application Priority Data**

Jul. 14, 2009 (EM) 001581810-0012

(51) **LOC (9) Cl.** **24-02**

(52) **U.S. Cl.** **D24/133; D24/141**

(58) **Field of Classification Search** D24/133,
D24/140, 141-144, 146-147, 211, 214; 606/1,
606/96, 98, 102, 108, 141-142, 167, 193,
606/119; 604/103.03, 177

See application file for complete search history.

(56) **References Cited**

U.S. PATENT DOCUMENTS

3,670,732 A * 6/1972 Robinson 606/160
4,089,337 A * 5/1978 Kronner 604/103.03
D261,302 S * 10/1981 Wheeler D24/140
4,430,076 A * 2/1984 Harris 604/103.03
D282,278 S * 1/1986 Asa D24/133
D291,918 S * 9/1987 Spits D24/141

5,104,377 A * 4/1992 Levine 606/193
5,195,507 A * 3/1993 Bilweis 606/1
5,382,252 A * 1/1995 Failla et al. 606/119
5,645,561 A * 7/1997 Smith et al. 606/193
5,746,750 A * 5/1998 Prestel et al. 606/119
D560,128 S * 1/2008 Diederich et al. D24/140

* cited by examiner

Primary Examiner—Freda S Nunn

Assistant Examiner—Wan Laymon

(74) *Attorney, Agent, or Firm*—St. Onge Steward Johnston &
Reens LLC

(57) **CLAIM**

The ornamental design for a working element for uterus manipulator, as shown and described.

DESCRIPTION

FIG. 1 is right side perspective view of a working element for uterus manipulator in accordance with the new design;

FIG. 2 is a right side elevation view thereof;

FIG. 3 is a top plan view thereof;

FIG. 4 is a bottom plan view thereof;

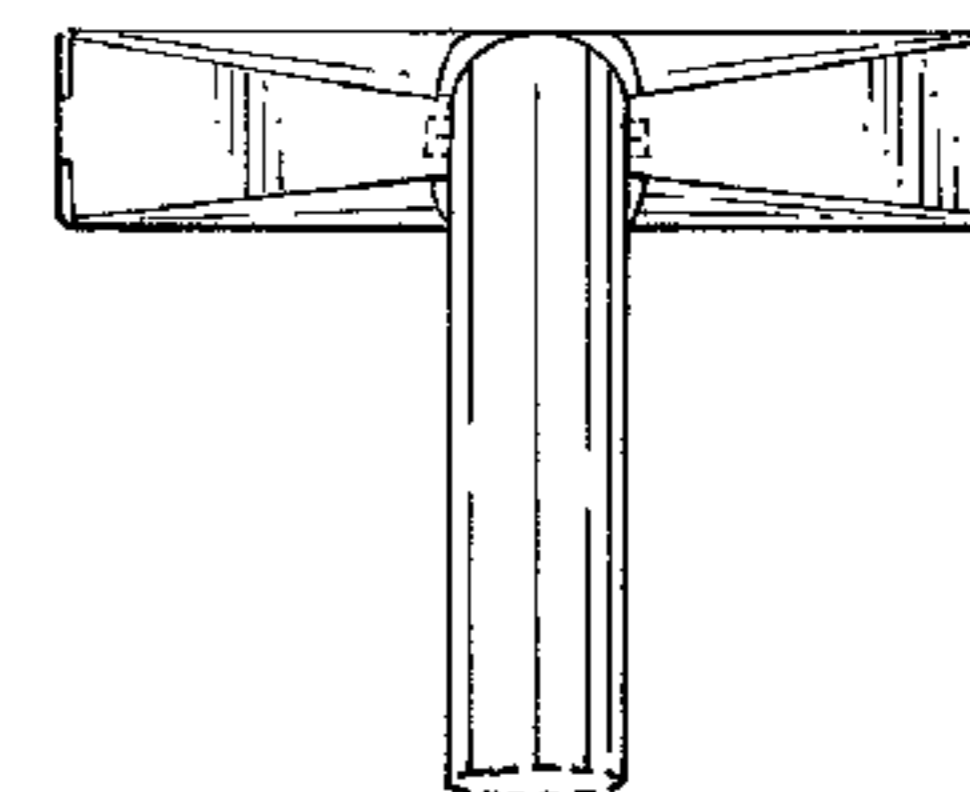
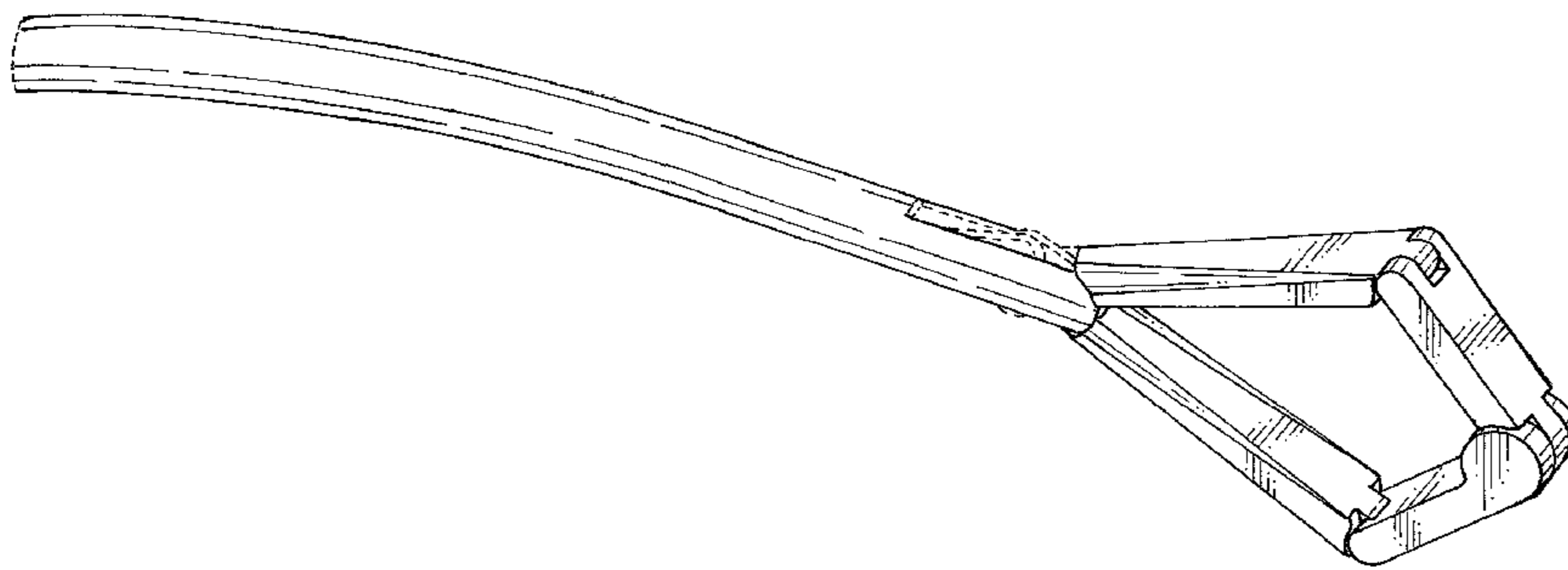
FIG. 5 is a front elevation view thereof;

FIG. 6 is a rear elevation view thereof; and,

FIG. 7 is a left side elevation view thereof.

The broken lines shown in FIGS. 1-7 are for illustration purposes only and form no part of the claimed design.

1 Claim, 4 Drawing Sheets



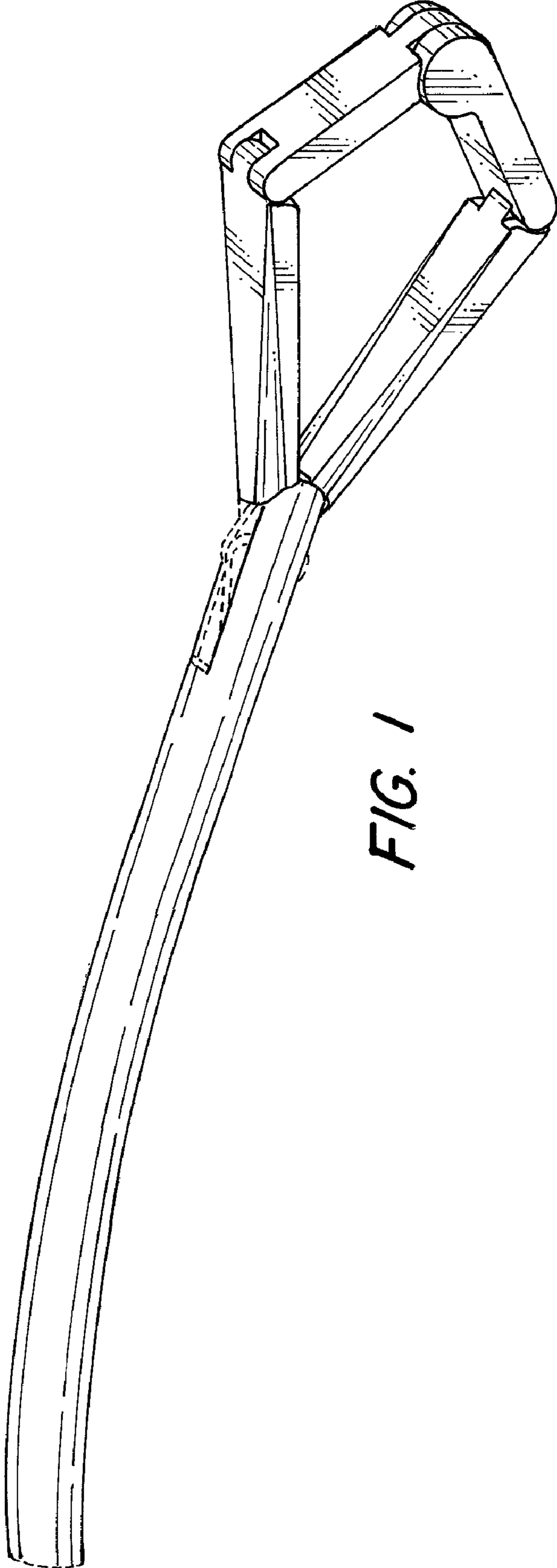


FIG. 1

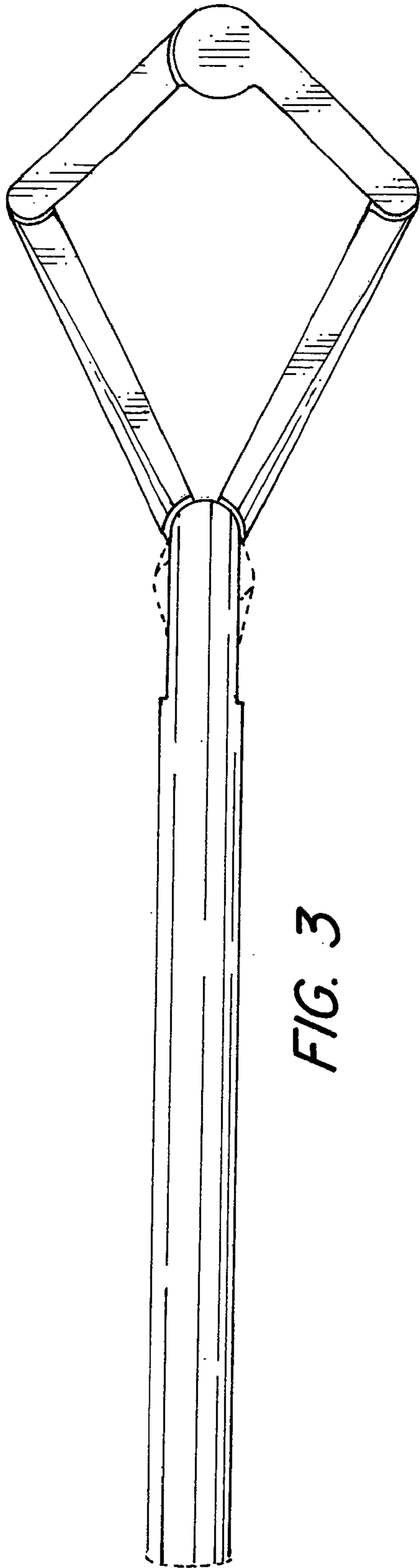


FIG. 3

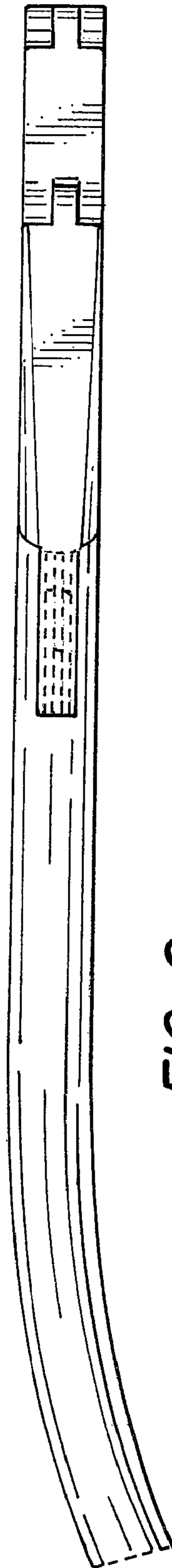


FIG. 2

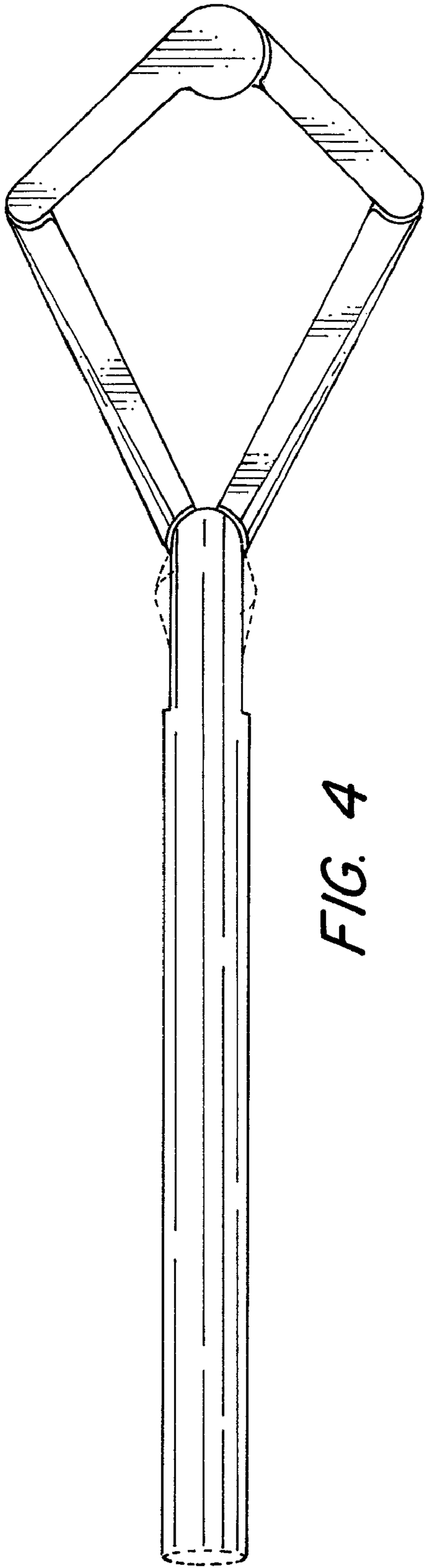


FIG. 4

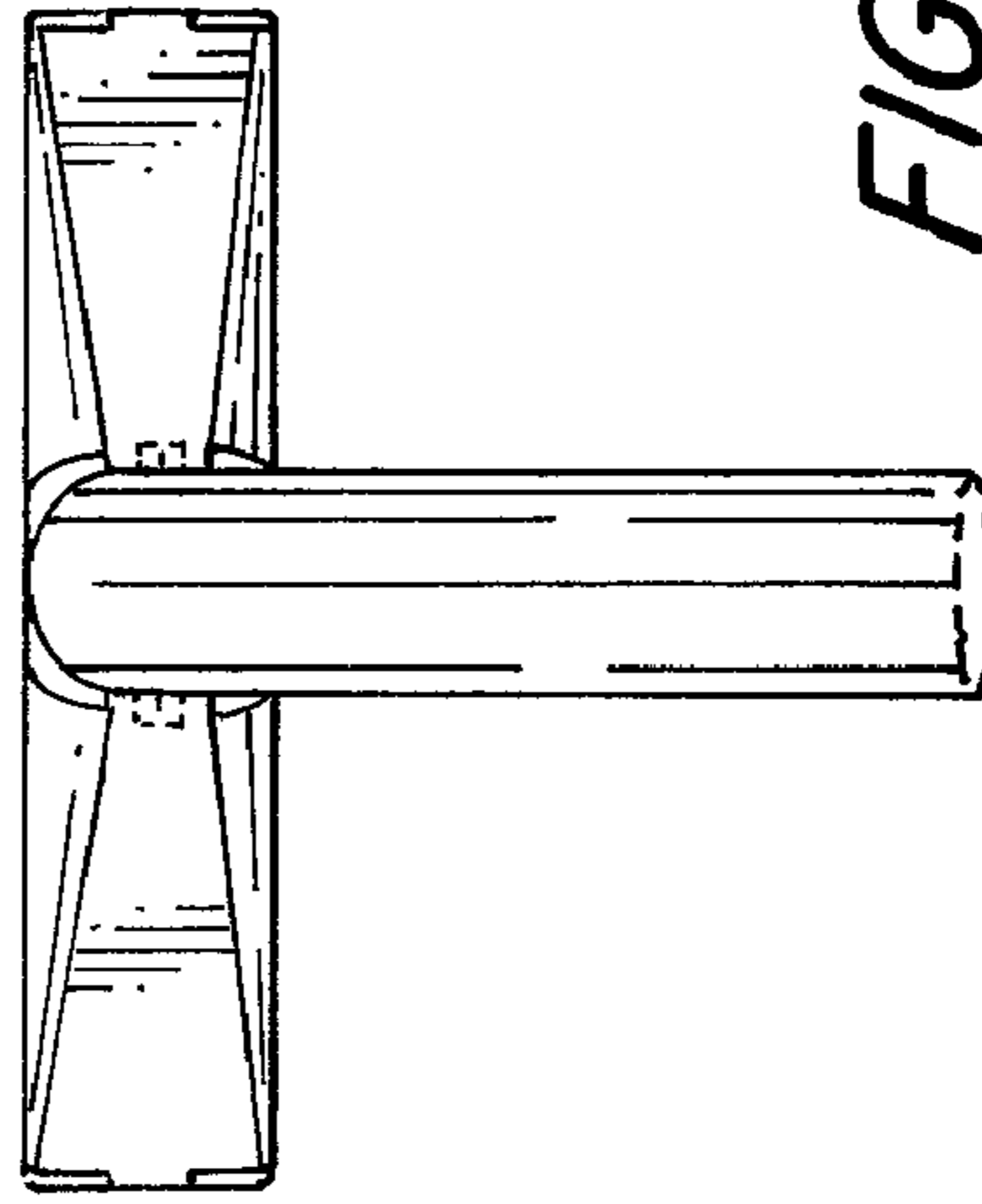


FIG. 6

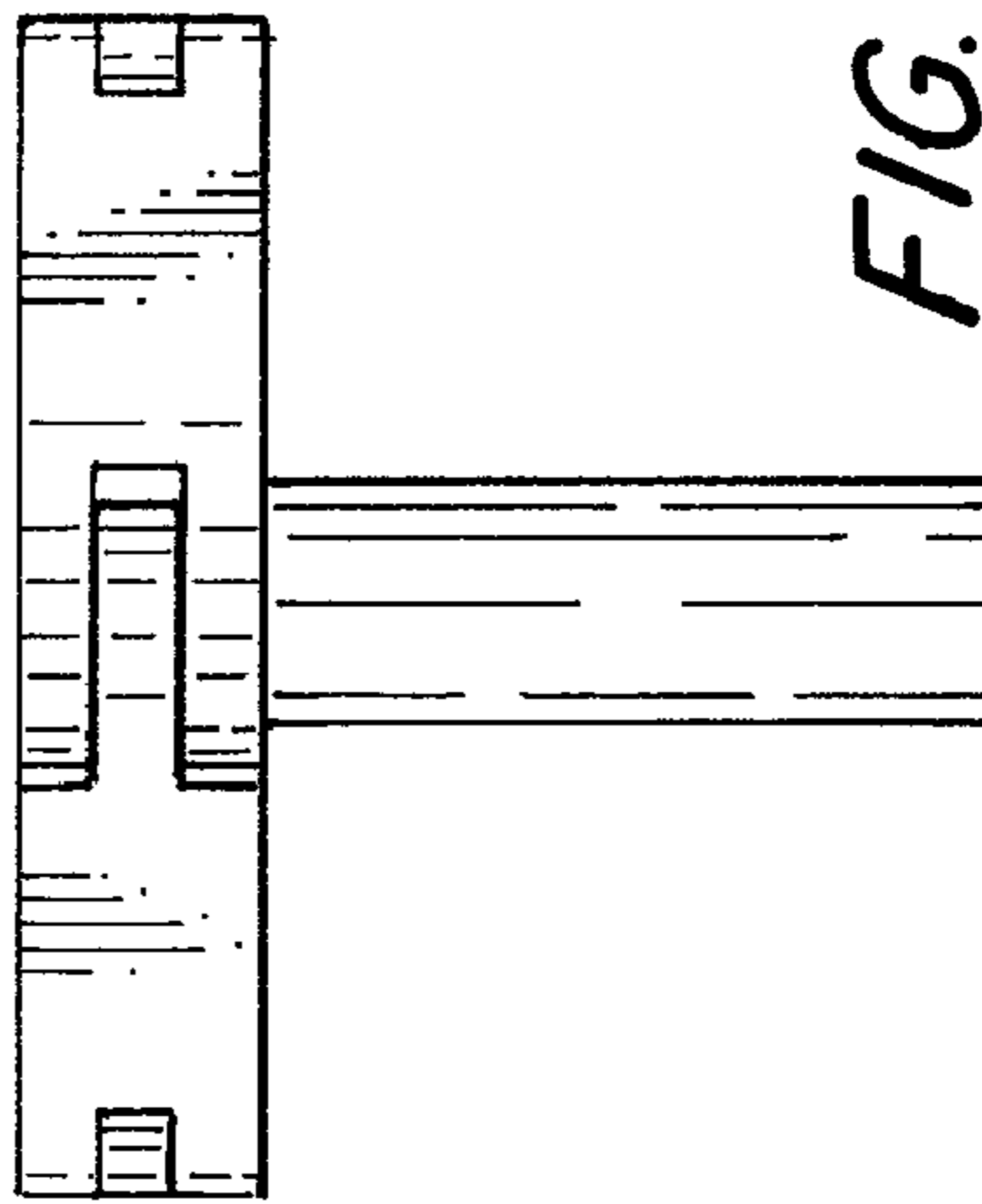


FIG. 5

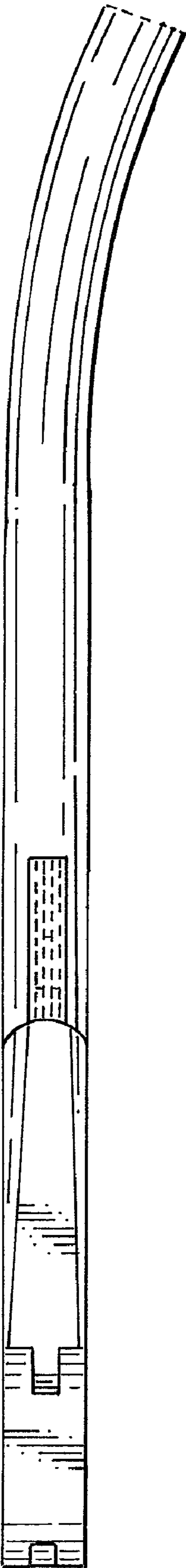


FIG. 7