



US00D624646S

(12) **United States Design Patent**
Peschke et al.

(10) **Patent No.:** **US D624,646 S**

(45) **Date of Patent:** **** Sep. 28, 2010**

(54) **SET OF HANDLES WITH RADIO FREQUENCY IDENTIFICATION**

(75) Inventors: **Paul Peschke**, Leibertingen (DE);
Stefan Schnekenburger, Berlin (DE)

(73) Assignee: **Karl Storz GmbH & Co. KG** (DE)

(**) Term: **14 Years**

(21) Appl. No.: **29/335,511**

(22) Filed: **Apr. 16, 2009**

(30) **Foreign Application Priority Data**

Oct. 17, 2008 (EM) 001022818-0005

(51) **LOC (9) Cl.** **24-02**

(52) **U.S. Cl.** **D24/133**

(58) **Field of Classification Search** D8/57,
D8/107; D24/133, 145-148, 143; 606/174,
606/184; 128/305

See application file for complete search history.

(56) **References Cited**

U.S. PATENT DOCUMENTS

D273,326	S	*	4/1984	Peterson et al.	D24/140
D281,104	S	*	10/1985	Davison	D24/148
D281,624	S	*	12/1985	Babini	D24/133
D370,064	S	*	5/1996	Livneh	D24/146
5,947,996	A	*	9/1999	Logeman	606/205
6,340,365	B2	*	1/2002	Dittrich et al.	606/205
D463,859	S	*	10/2002	Koros et al.	D24/147
6,464,701	B1	*	10/2002	Hooven et al.	606/50
D495,051	S	*	8/2004	Reschke	D24/144
D495,052	S	*	8/2004	Reschke	D24/144

D554,961	S	*	11/2007	Kurz	D8/57
D557,415	S	*	12/2007	Bacher	D24/133
D562,450	S	*	2/2008	Wehrstein et al.	D24/133
D566,272	S	*	4/2008	Walburg et al.	D24/145
D570,479	S	*	6/2008	Rehbein et al.	D24/133
D580,548	S	*	11/2008	Mouret	D24/133
D583,941	S	*	12/2008	Leroy	D24/135
D592,747	S	*	5/2009	Weiler et al.	D24/143
D605,761	S	*	12/2009	Stefan	D24/143
D617,456	S	*	6/2010	Ott et al.	D24/135
2006/0004406	A1	*	1/2006	Wehrstein et al.	606/205

* cited by examiner

Primary Examiner—Cathron C Brooks

Assistant Examiner—Barbara Fox

(74) *Attorney, Agent, or Firm*—St. Onge Steward Johnston & Reens LLC

(57) **CLAIM**

The ornamental design for set of handles with radio frequency identification, as shown and described.

DESCRIPTION

FIG. 1 is a top perspective view of set of handles with radio frequency identification in accordance with the new design;

FIG. 2 is a left side view thereof;

FIG. 3 is a right side view thereof;

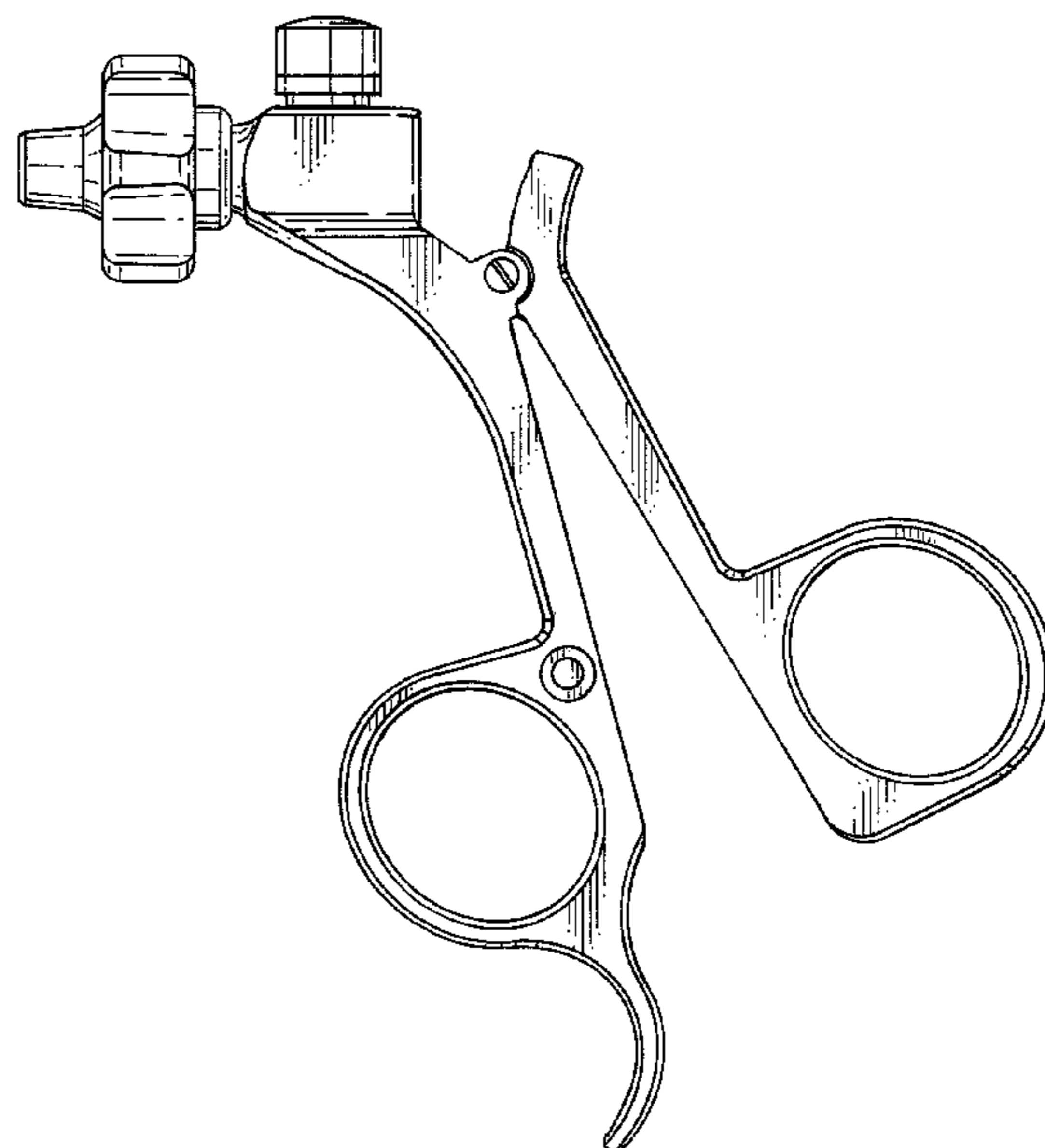
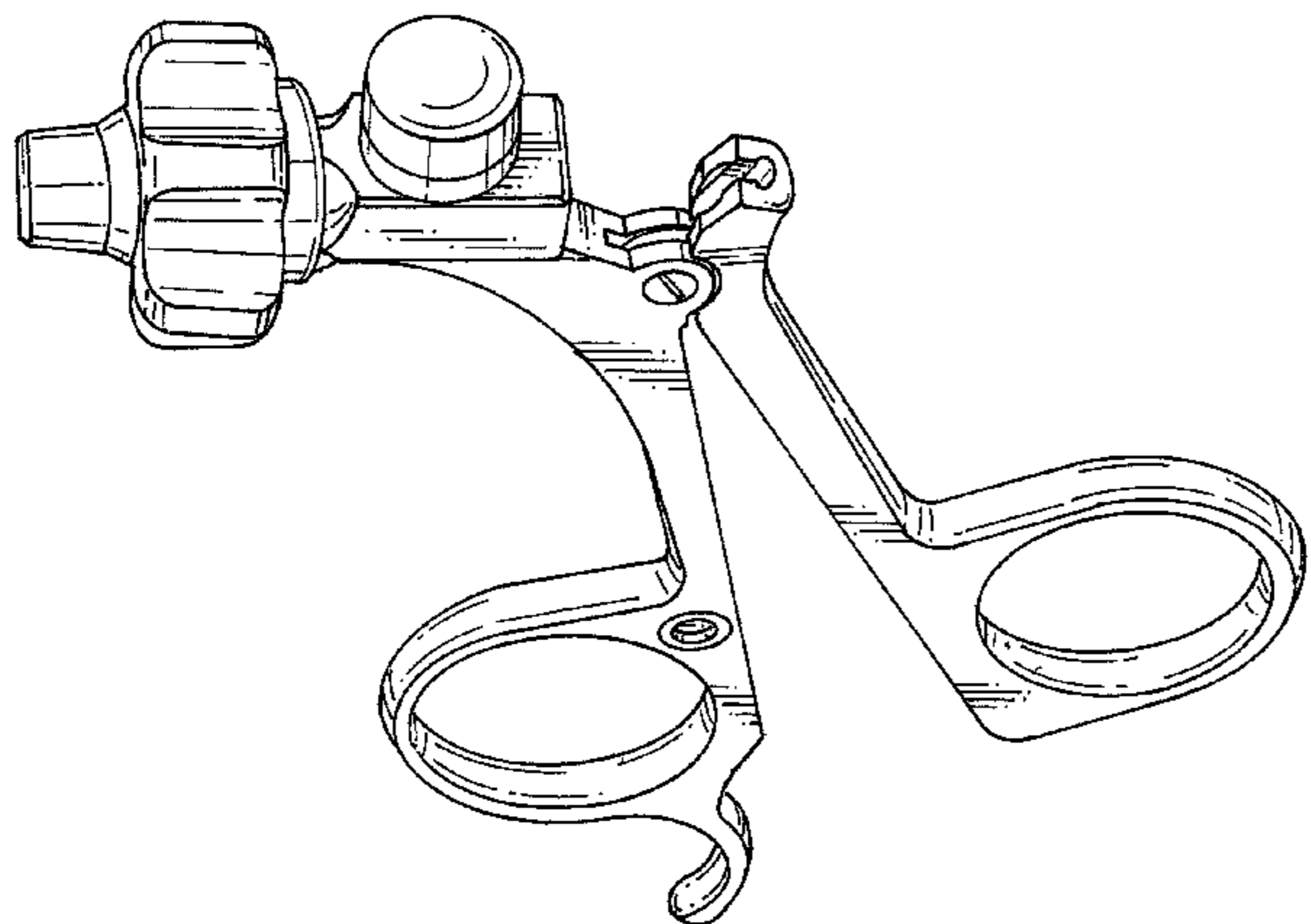
FIG. 4 is a front view thereof;

FIG. 5 is a rear view thereof;

FIG. 6 is a top view thereof; and,

FIG. 7 is a bottom view thereof.

1 Claim, 5 Drawing Sheets



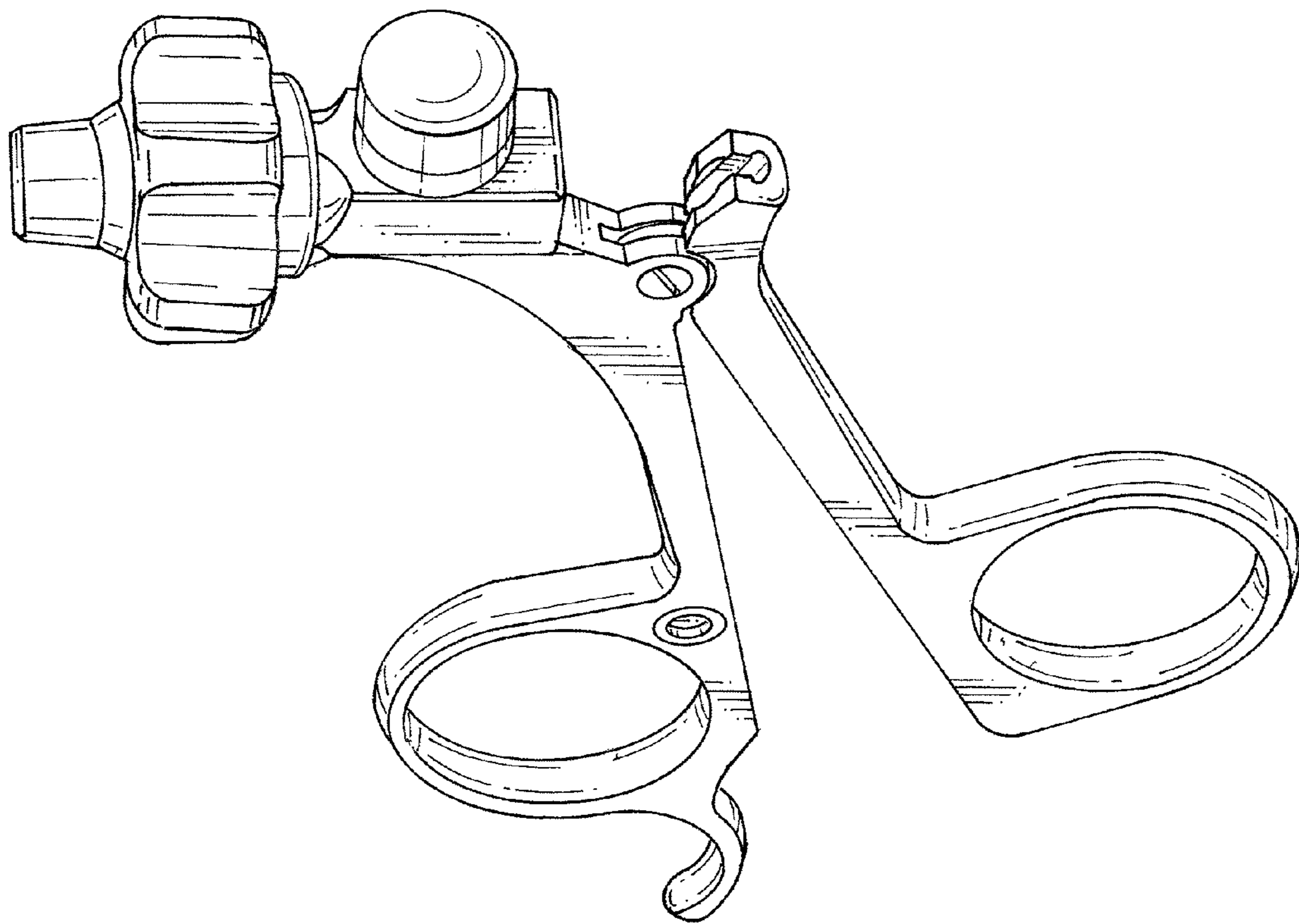


FIG. 1

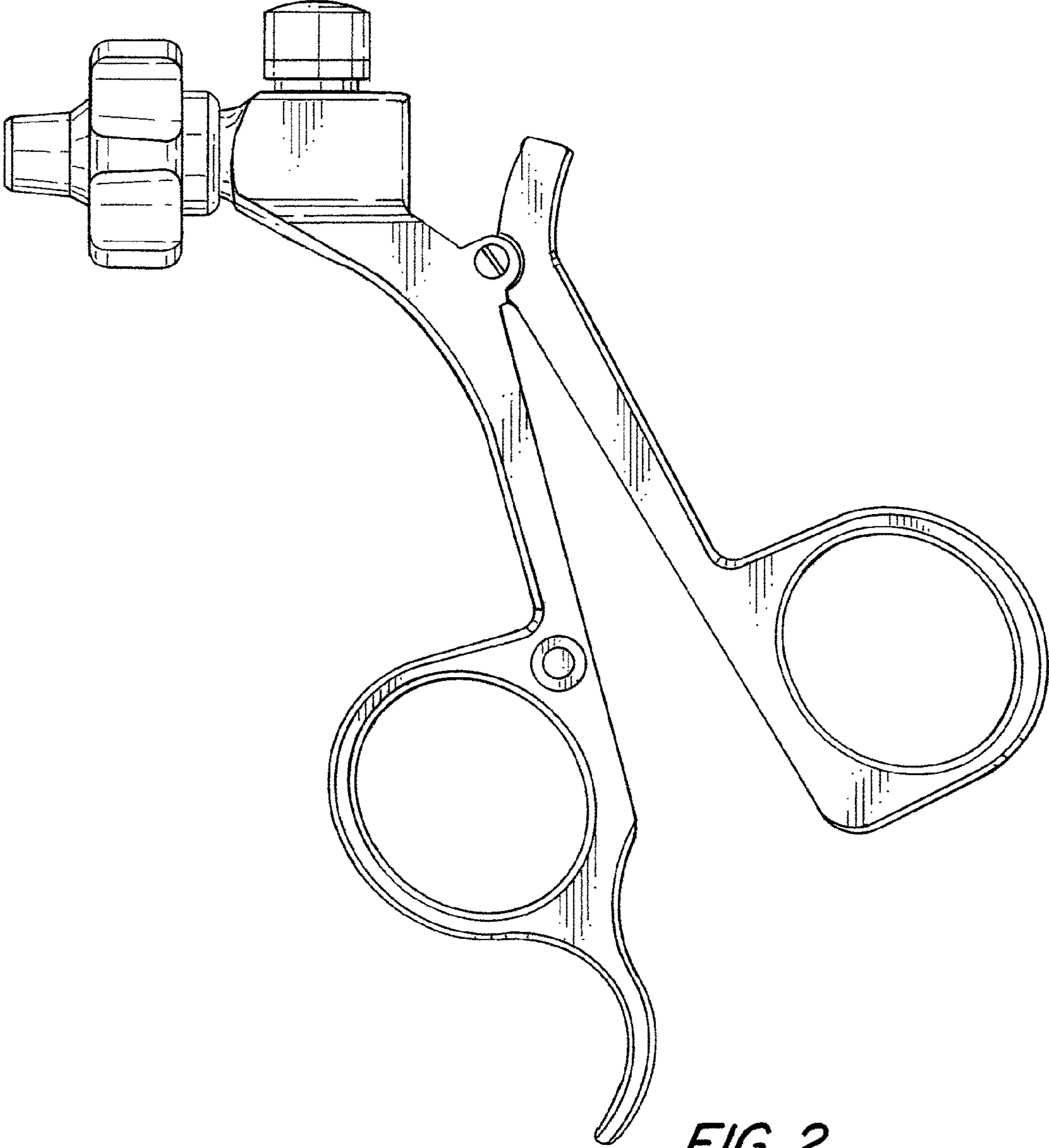


FIG. 2

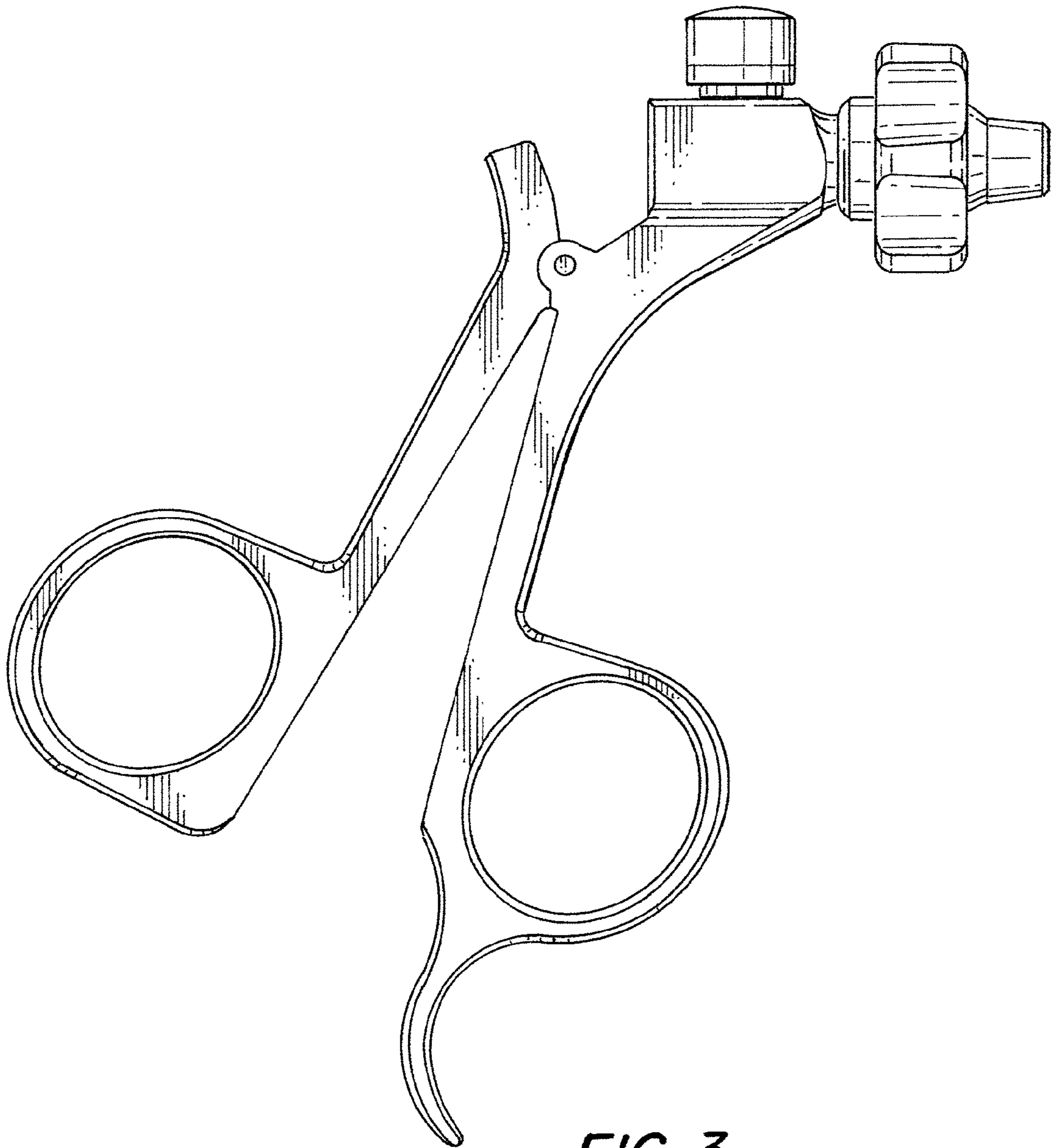


FIG. 3

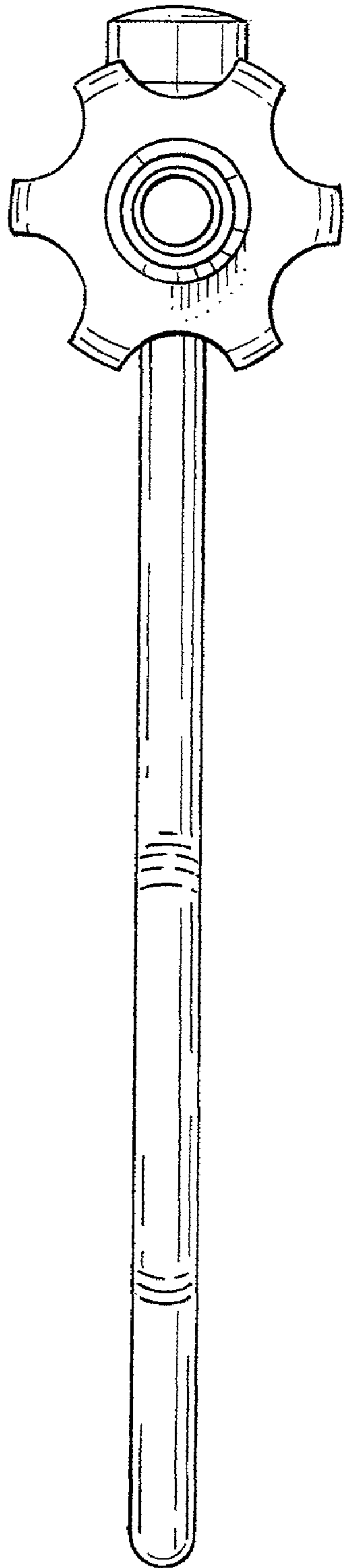


FIG. 4

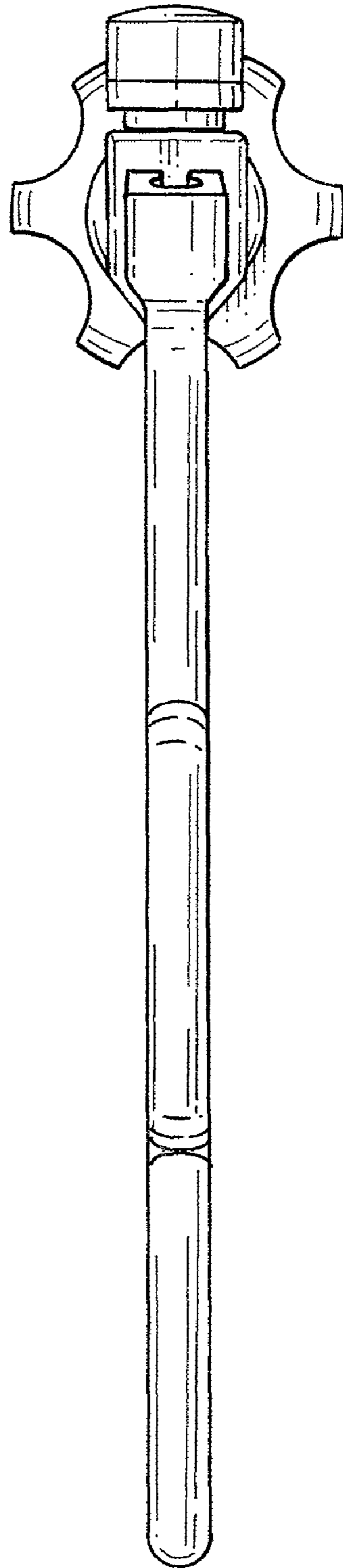


FIG. 5

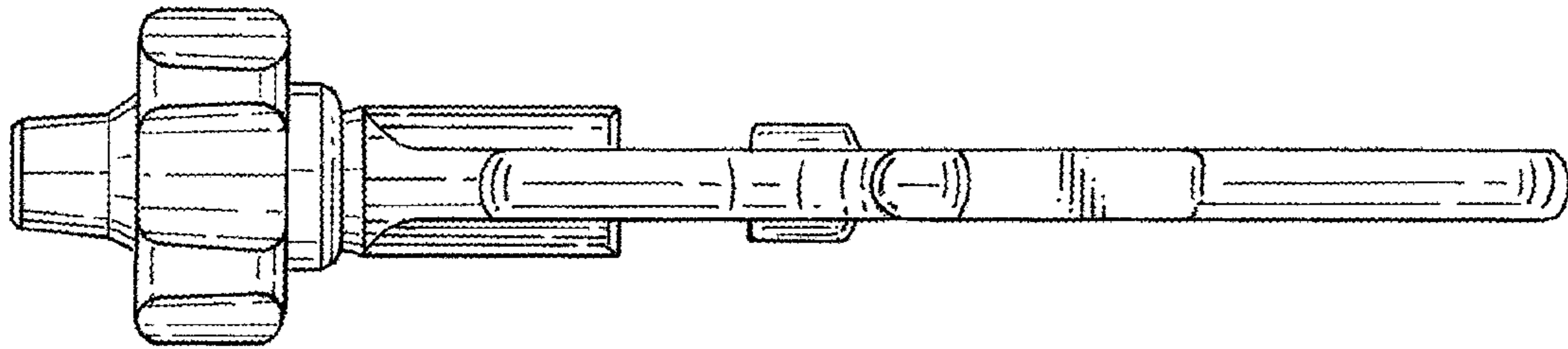


FIG. 7

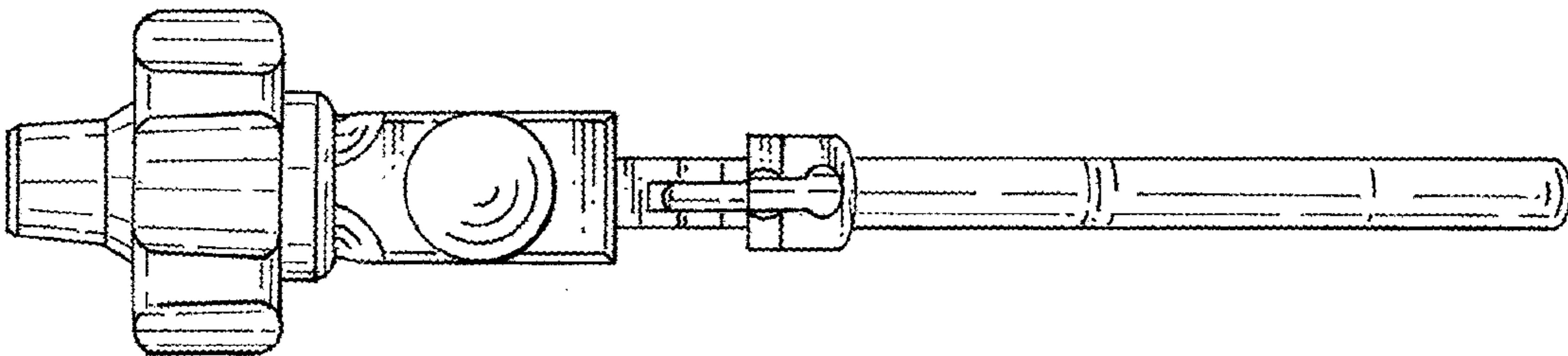


FIG. 6