



US00D624642S

(12) **United States Design Patent**  
**Collazo et al.**

(10) **Patent No.:** **US D624,642 S**

(45) **Date of Patent:** **\*\* Sep. 28, 2010**

(54) **MASK ASSEMBLY**

(75) Inventors: **Louis Javier Collazo**, Pompano Beach, FL (US); **Sanjay Chandran**, Boca Raton, FL (US); **Shara Hernandez**, Davie, FL (US); **Norman D. Castillo**, Miramar, FL (US)

(73) Assignee: **Mergenet Solutions, Inc.**, Coconut Creek, FL (US)

(\*\*) Term: **14 Years**

(21) Appl. No.: **29/329,557**

(22) Filed: **Dec. 17, 2008**

**Related U.S. Application Data**

(63) Continuation-in-part of application No. 12/256,388, filed on Oct. 22, 2008.

(51) **LOC (9) Cl.** ..... **29-02**

(52) **U.S. Cl.** ..... **D24/110.1**

(58) **Field of Classification Search** ..... D24/110.1, D24/110.4, 110.5, 164; 128/206.21, 204.18, 128/207.12, 207.13, 205.25, 206.26, 206.24, 128/207.11, 207.17

See application file for complete search history.

(56) **References Cited**

**U.S. PATENT DOCUMENTS**

- D486,226 S \* 2/2004 Guney et al. .... D24/110.1
- D493,885 S \* 8/2004 Raje et al. .... D24/110.1
- D515,204 S \* 2/2006 Guney et al. .... D24/110.1
- D539,901 S \* 4/2007 McAuliffe et al. .... D24/110.1

- D562,445 S \* 2/2008 McAuliffe et al. .... D24/110.1
- D583,930 S \* 12/2008 McAuley et al. .... D24/110.1
- D584,400 S \* 1/2009 McAuley et al. .... D24/110.1
- D586,458 S \* 2/2009 Kooij et al. .... D24/110.1
- D593,675 S \* 6/2009 Brambilla et al. .... D24/110.1
- D597,202 S \* 7/2009 Reid et al. .... D24/110.1
- 2003/0164170 A1 \* 9/2003 Drew et al. .... 128/204.18
- 2004/0211428 A1 \* 10/2004 Jones et al. .... 128/206.27
- 2008/0264421 A1 \* 10/2008 Kwok et al. .... 128/205.25

\* cited by examiner

*Primary Examiner*—Ian Simmons

*Assistant Examiner*—Christopher Lee

(74) *Attorney, Agent, or Firm*—Adam C. Underwood, Esq.; Carey Rodriguez Greenberg & Paul LLP

(57) **CLAIM**

The ornamental design for a mask assembly, as shown and described.

**DESCRIPTION**

FIG. 1 is a front view of a mask assembly according to an embodiment of our new design;

FIG. 2 is a front view of the mask assembly thereof;

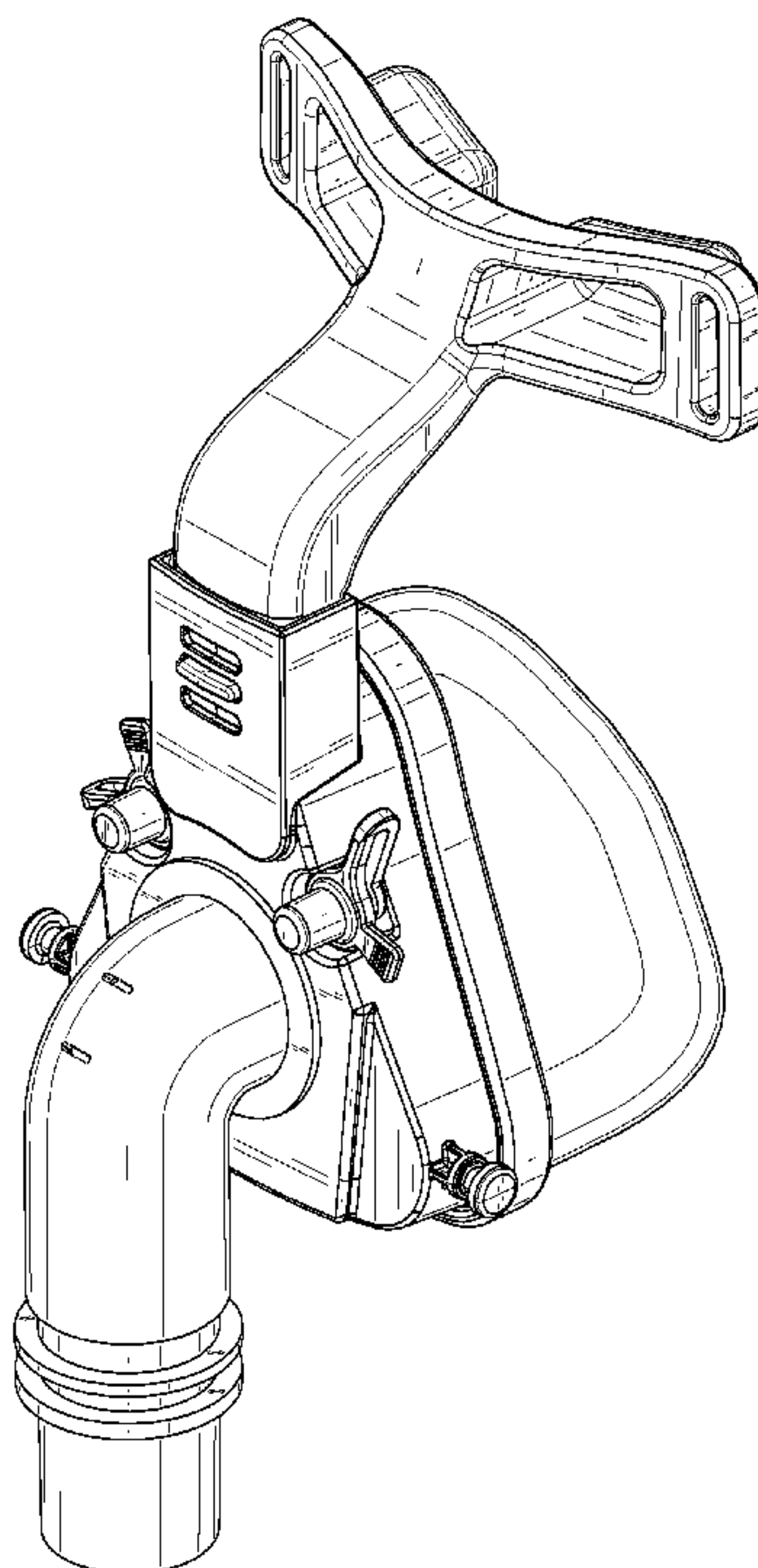
FIG. 3 is a rear view of the mask assembly thereof; the broken lines in FIG. 3 illustrate environmental structure of the mask assembly, which forms no part of the claimed design;

FIG. 4 is a top view of the mask assembly thereof; and,

FIG. 5 is a right side of the mask assembly thereof.

This design is directed to a mask assembly. Where included, broken lines illustrate environmental structure of the mask assembly, which forms no part of the claimed design.

**1 Claim, 5 Drawing Sheets**





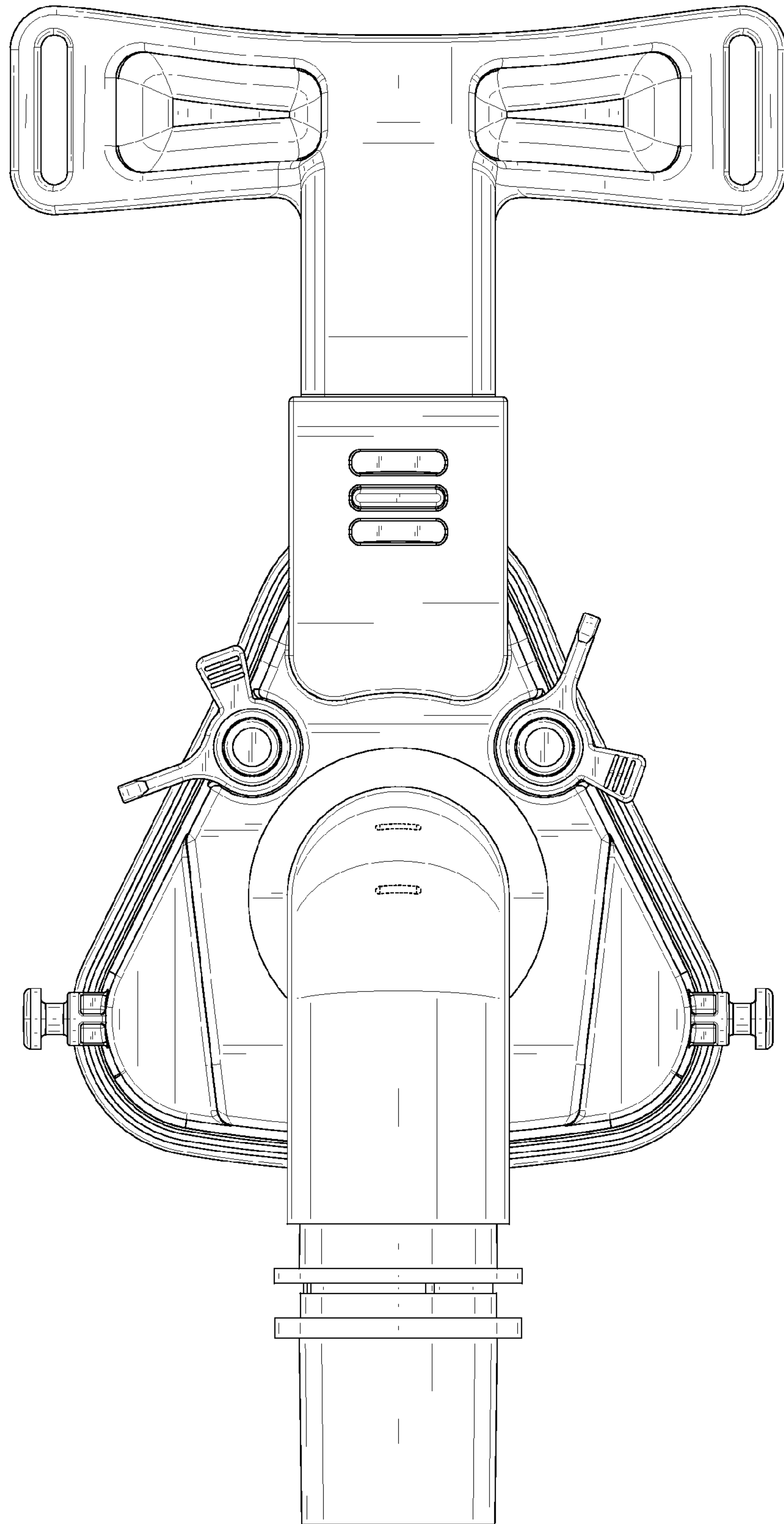


FIG. 2



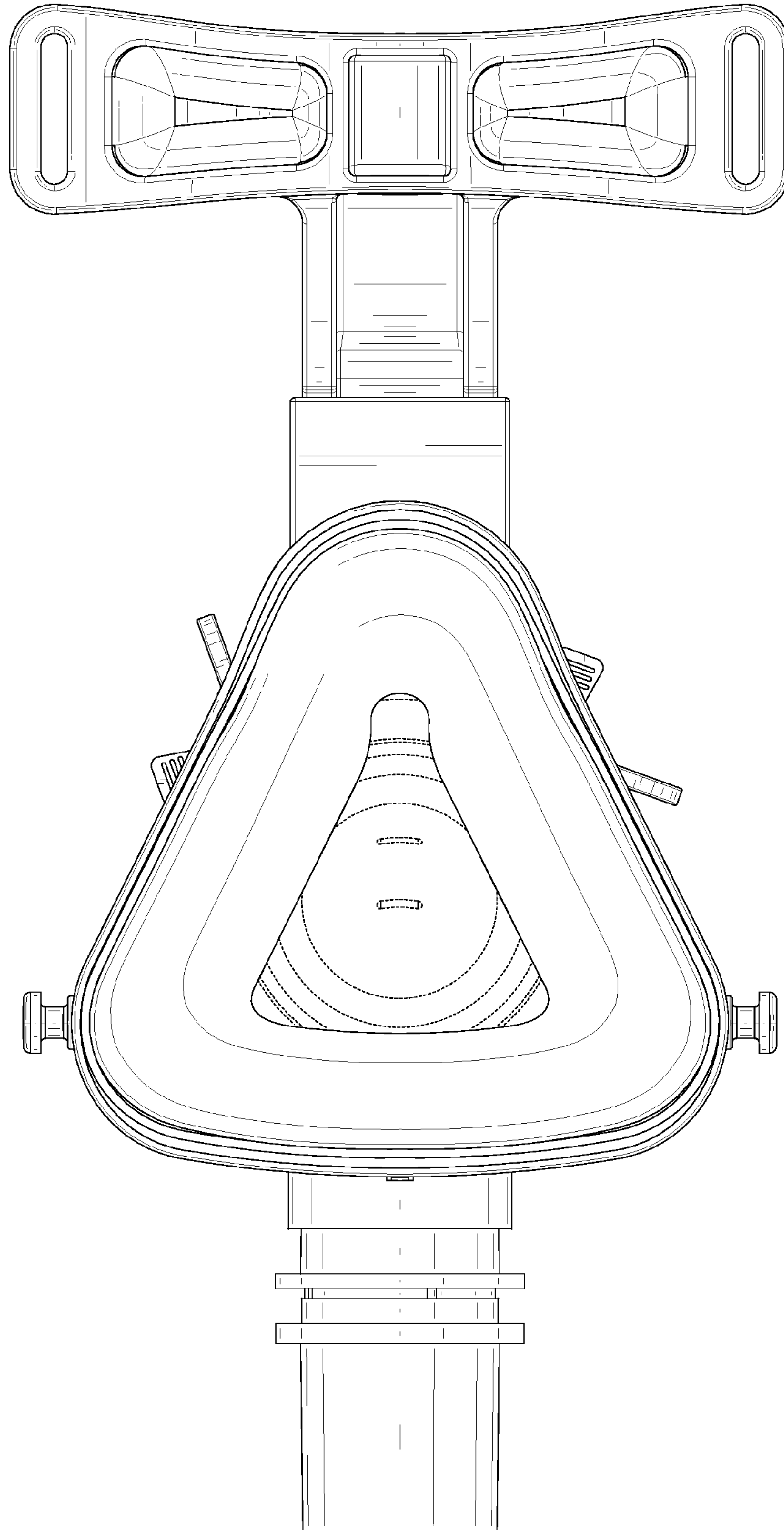


FIG. 3

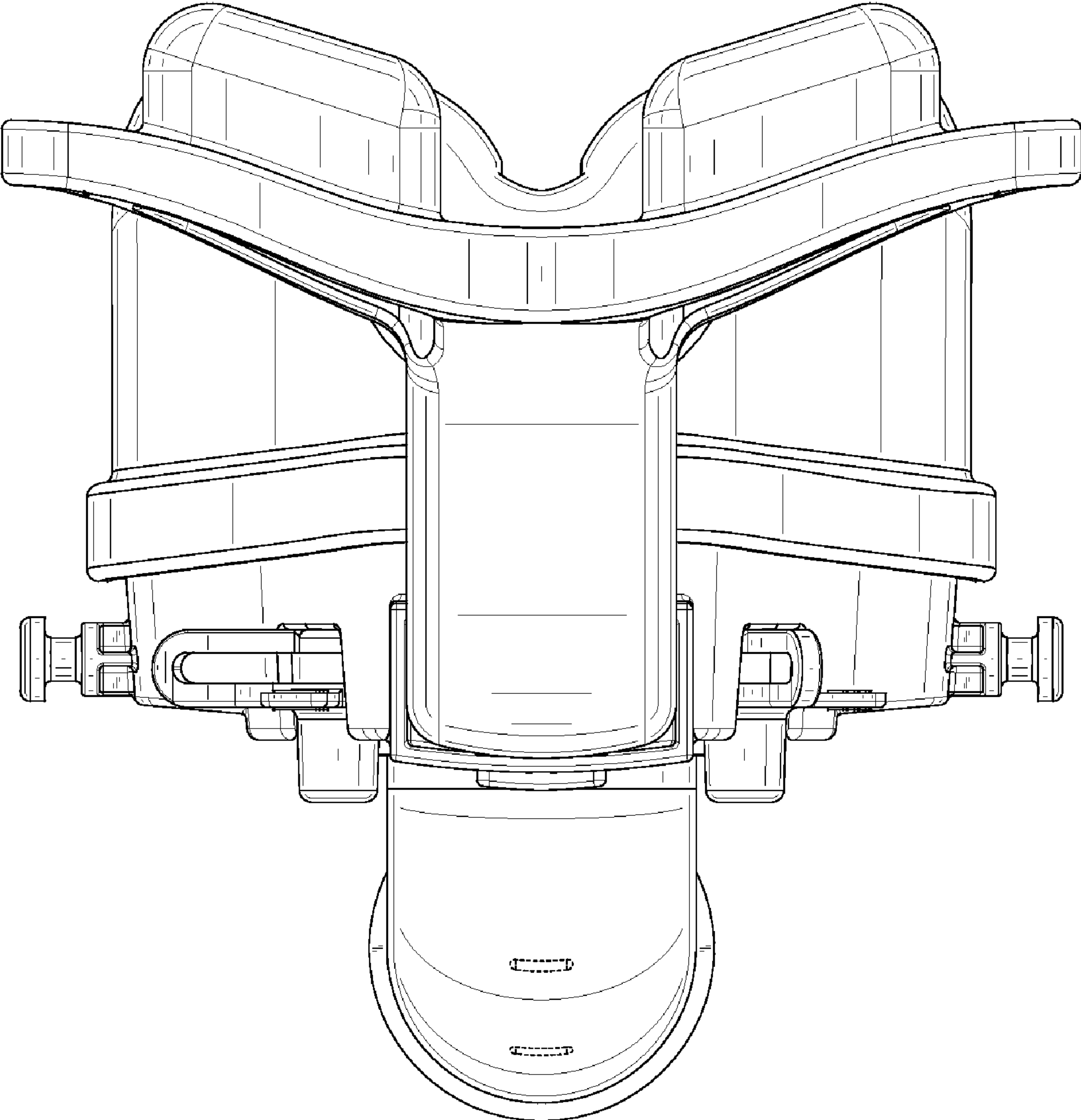


FIG. 4

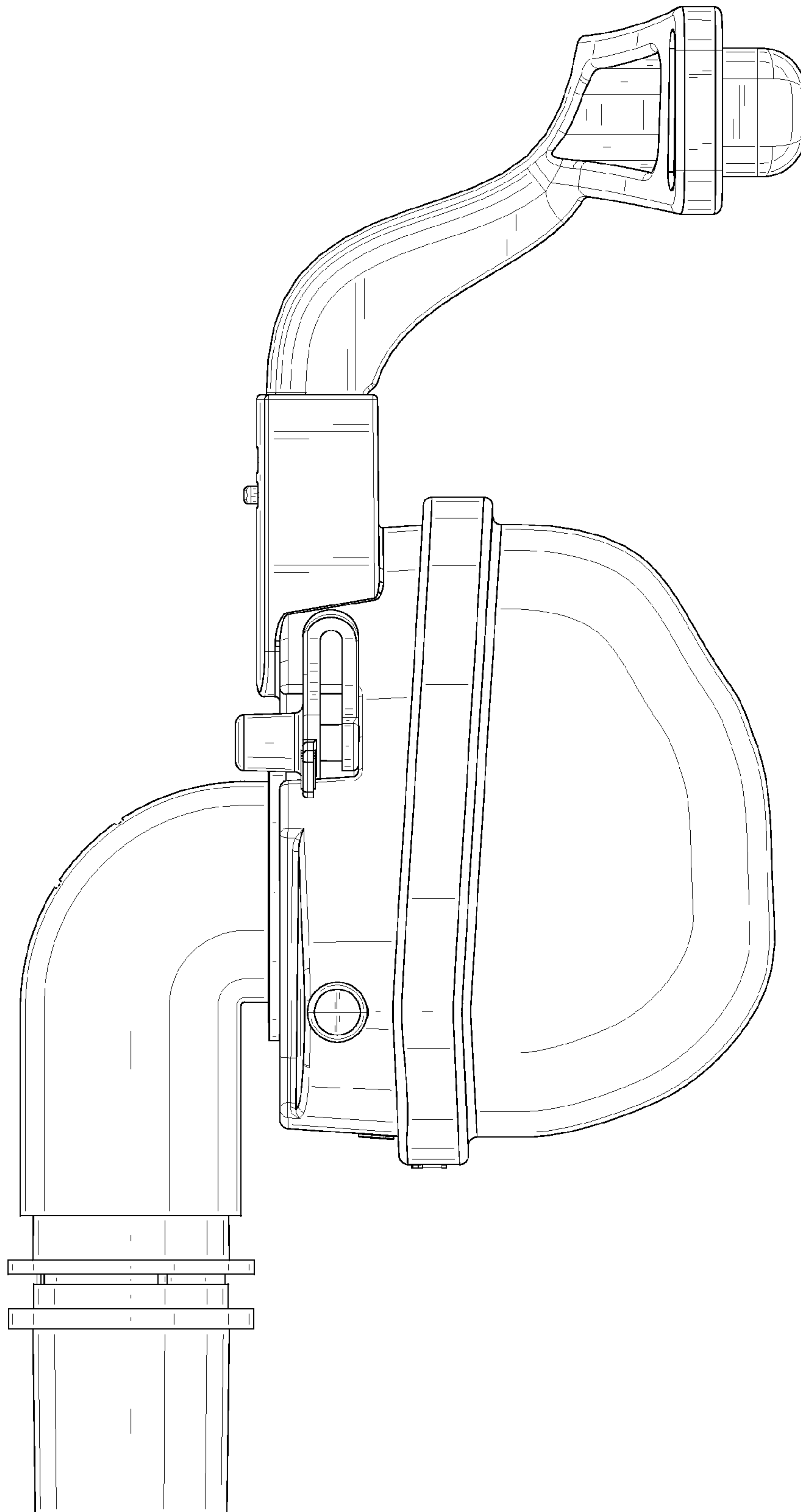


FIG. 5