



US00D624641S

(12) **United States Design Patent**  
**Boclet**

(10) **Patent No.:** **US D624,641 S**

(45) **Date of Patent:** **\*\* \*Sep. 28, 2010**

(54) **NASAL SPRAY PUMP CONTAINER**

(75) Inventor: **Olivier Boclet**, Criel S/Mer (FR)

(73) Assignee: **Rexam Dispensing Systems**, Le Treport (FR)

(\*) Notice: This patent is subject to a terminal disclaimer.

(\*\*) Term: **14 Years**

(21) Appl. No.: **29/237,785**

(22) Filed: **Sep. 7, 2005**

(51) **LOC (9) Cl.** ..... **24-02**

(52) **U.S. Cl.** ..... **D24/110; D9/682; D9/686**

(58) **Field of Classification Search** ..... D9/682-694, D9/723-729, 516-575, 417, 447-450; D24/108-120; 128/200.12, 200.14-200.23; 604/93.01, 604/257, 187, 192, 218, 231, 311, 403; 222/204, 222/209, 211-213, 215, 321.1, 321.6, 631, 222/635

See application file for complete search history.

(56) **References Cited**

**U.S. PATENT DOCUMENTS**

3,143,251	A *	8/1964	Barton et al.	222/209
D295,259	S *	4/1988	Goettner	D9/500
4,830,224	A *	5/1989	Brison	222/153.06
D308,100	S *	5/1990	Bishop et al.	D24/110
D328,244	S *	7/1992	Hamilton et al.	D9/724
D355,844	S *	2/1995	Bishop et al.	D9/724
D374,613	S *	10/1996	Maxwell et al.	D9/694

5,588,559	A *	12/1996	Vallet Mas et al.	222/92
6,092,692	A *	7/2000	Riskin	222/23
6,173,868	B1 *	1/2001	DeJonge	222/321.6
D527,815	S *	9/2006	Nishibayashi et al.	D24/110
D544,957	S *	6/2007	Bloc	D24/110
D546,442	S *	7/2007	Collins et al.	D24/115
2002/0066753	A1 *	6/2002	Greiner-Perth et al.	222/321.6

\* cited by examiner

*Primary Examiner*—Catherine Tuttle

(74) *Attorney, Agent, or Firm*—Fross Zelnick Lehrman & Zissu, P.C.; Charles T. J. Weigell, Esq.

(57) **CLAIM**

The ornamental design for a nasal spray pump container, as shown and described.

**DESCRIPTION**

FIG. 1 is a front perspective view of a nasal spray pump container shown with the cap portion of the design removed for a clear disclosure of the underlying parts;

FIG. 2 is a front view of the nasal spray pump container shown in FIG. 1 (with the rear view being a mirror image);

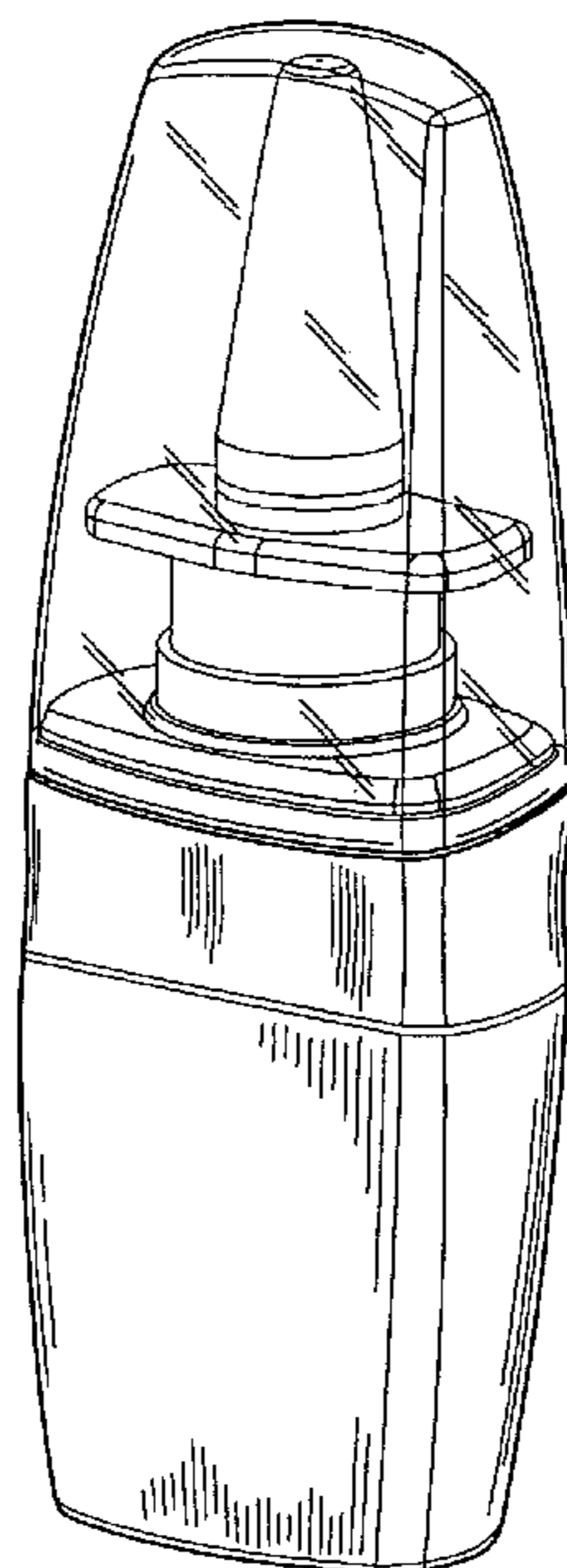
FIG. 3 is a right side view of the nasal spray pump container shown in FIG. 1 (with the left side being a mirror image);

FIG. 4 is a top view of the nasal spray pump container shown in FIG. 1;

FIG. 5 is a bottom view of the nasal spray pump container shown in FIG. 1; and,

FIG. 6 is a front perspective view of the assembled design.

**1 Claim, 3 Drawing Sheets**



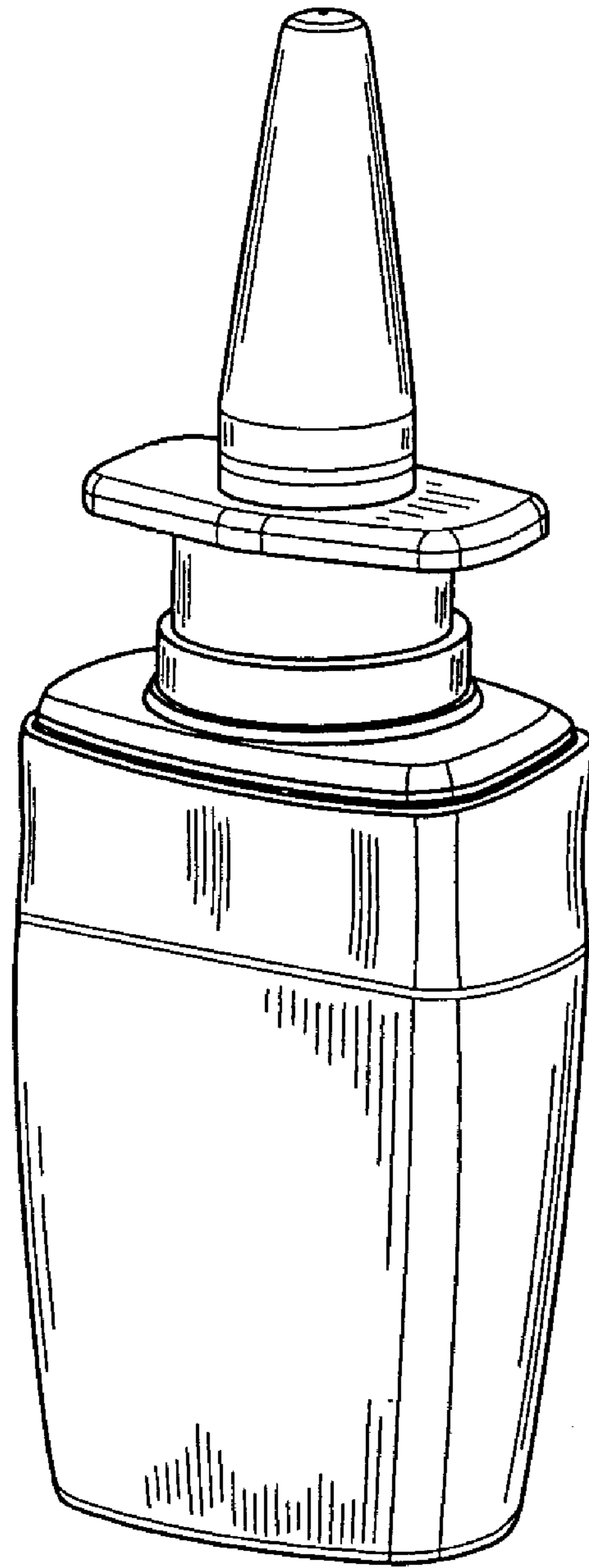


FIG. 1

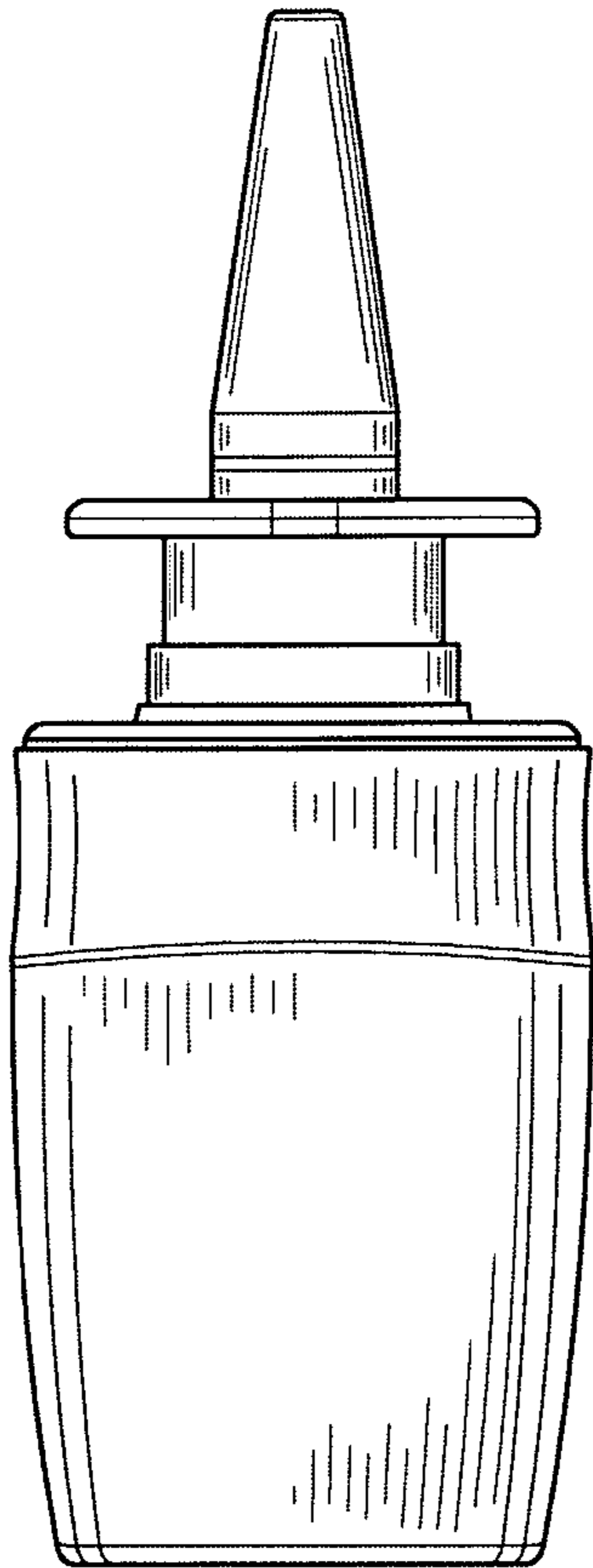


FIG. 2

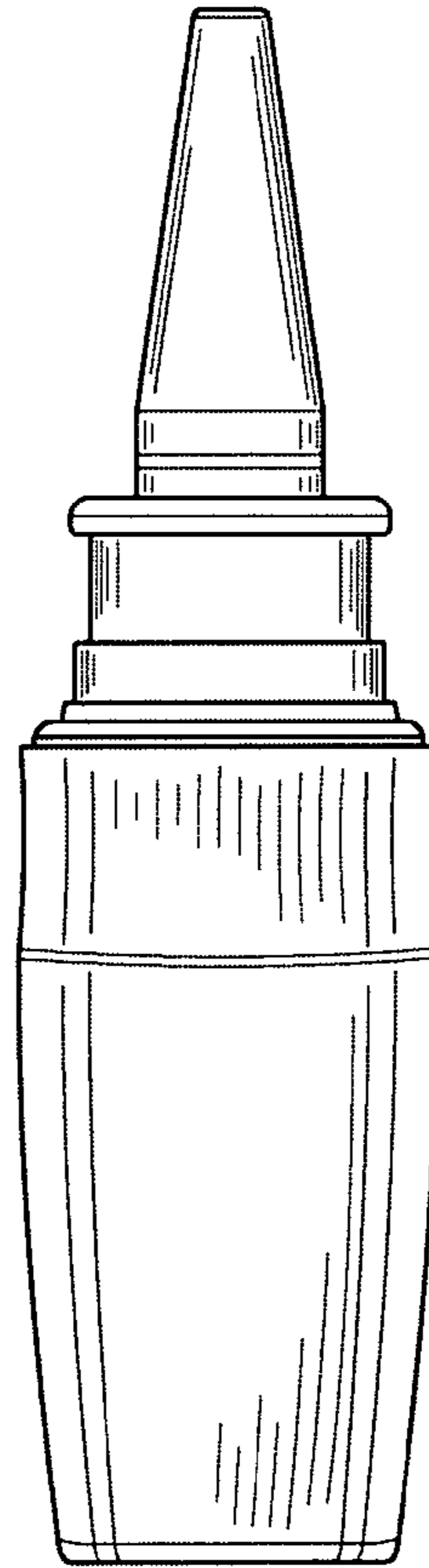


FIG. 3

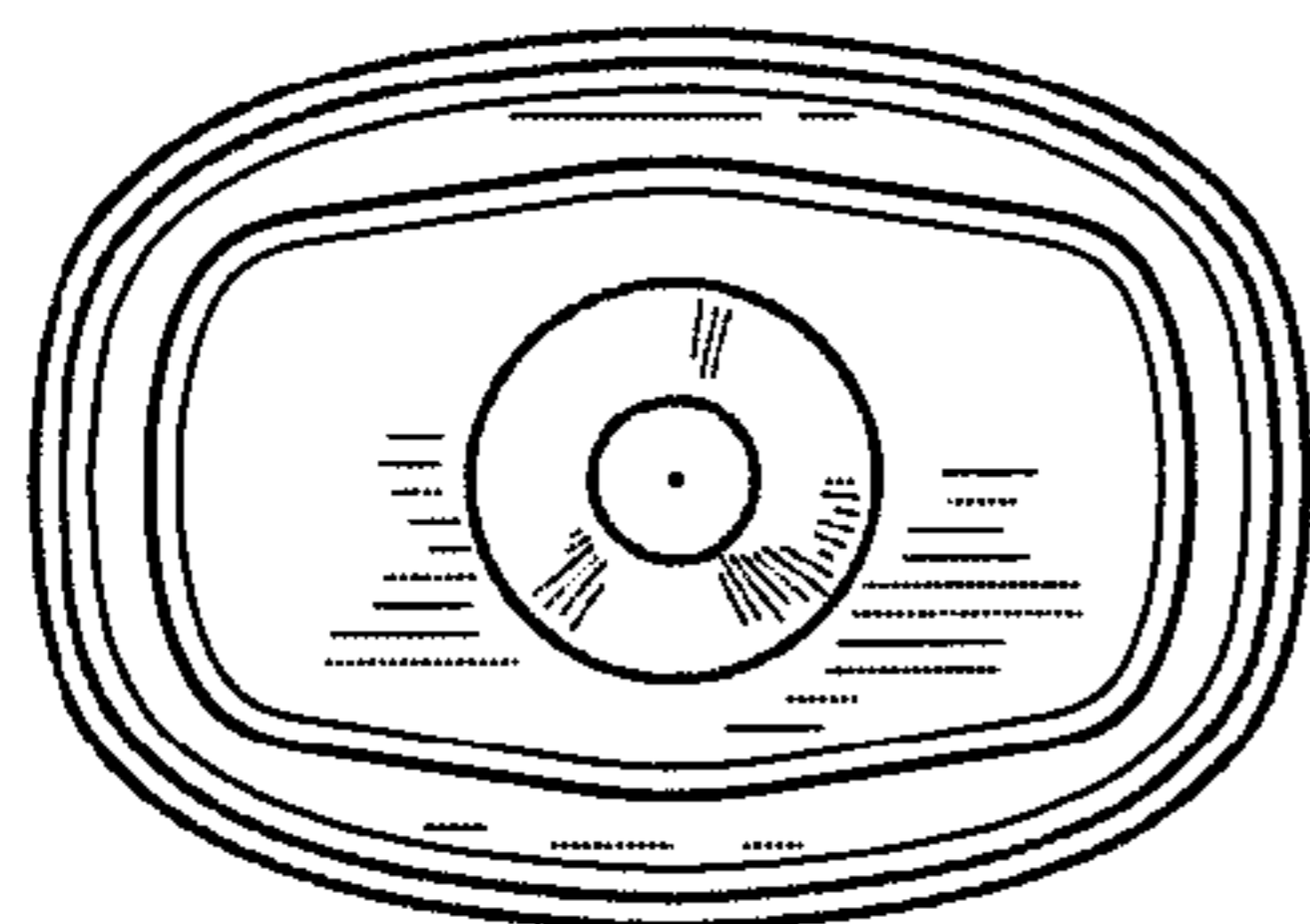


FIG. 4

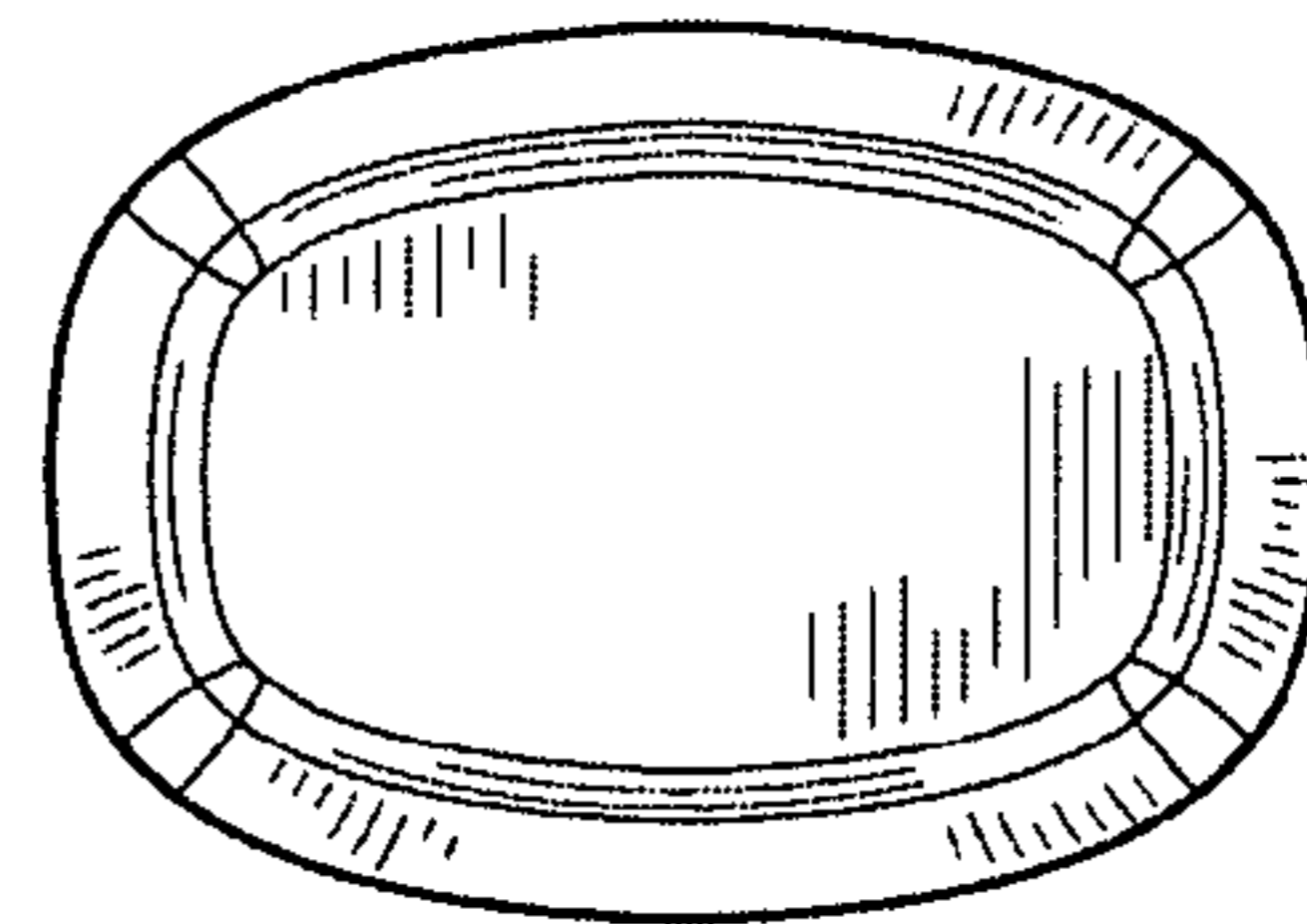


FIG. 5

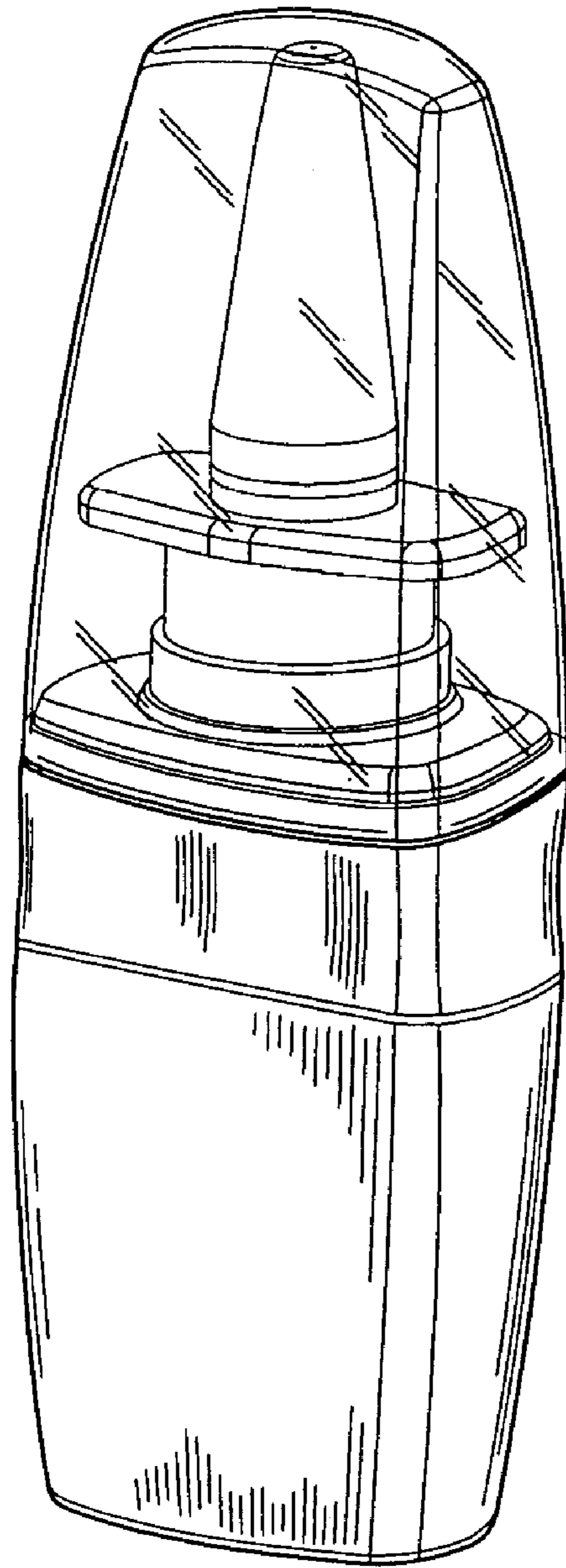


FIG. 6

UNITED STATES PATENT AND TRADEMARK OFFICE  
**CERTIFICATE OF CORRECTION**

PATENT NO. : D624,641 S  
APPLICATION NO. : 29/237785  
DATED : September 28, 2010  
INVENTOR(S) : Olivier Boclet

Page 1 of 1

It is certified that error appears in the above-identified patent and that said Letters Patent is hereby corrected as shown below:

Title page, item (30) Foreign Application Priority Data should read -

(30) Foreign Application Priority Data

May 23, 2005 (EM).....000345749

Signed and Sealed this  
Fifth Day of April, 2011



David J. Kappos  
*Director of the United States Patent and Trademark Office*