



US00D624640S

(12) **United States Design Patent**
Kobayashi et al.

(10) **Patent No.:** **US D624,640 S**

(45) **Date of Patent:** **** Sep. 28, 2010**

(54) **CONTAINER FOR VOLATILIZING CHEMICALS**

(75) Inventors: **Mizuki Kobayashi**, Tokyo (JP); **Naoki Hasegawa**, Tokyo (JP)

(73) Assignee: **S.T. Corporation**, Tokyo (JP)

(**) Term: **14 Years**

(21) Appl. No.: **29/311,694**

(22) Filed: **May 26, 2009**

(30) **Foreign Application Priority Data**

Nov. 27, 2008 (JP) 2008-030405

(51) **LOC (9) Cl.** **28-99**

(52) **U.S. Cl.** **D23/366**

(58) **Field of Classification Search** D23/355-369;
261/DIG. 17, DIG. 42, DIG. 65, DIG. 88,
261/DIG. 89; 239/34-36, 44-45, 53-54,
239/56-57, 60, 136, 152, 302, 326; 392/386,
392/390, 392, 394, 395; D28/5, 6; D32/29.1
See application file for complete search history.

(56) **References Cited**

U.S. PATENT DOCUMENTS

D437,636 S *	2/2001	Basaganas	D23/366
D505,718 S *	5/2005	El Ghouyel et al.	D23/359
D521,621 S *	5/2006	Slater	D23/366
D532,093 S *	11/2006	Helf et al.	D23/366
D543,613 S *	5/2007	Holekamp et al.	D23/366
D561,881 S *	2/2008	Huang	D23/356
D611,580 S *	3/2010	Kobayashi et al.	D23/366
2005/0213948 A1 *	9/2005	Caserta et al.	392/395

FOREIGN PATENT DOCUMENTS

JP	1004026	2/1998
JP	1023275	10/1998

JP	1078282	7/2000
JP	1140081	4/2002
JP	1140083	4/2002
JP	1140423	4/2002
JP	1155666	10/2002
JP	1155667	10/2002
JP	D1195138	1/2004
JP	1314459	11/2007

* cited by examiner

Primary Examiner—Sandra Snapp

(74) *Attorney, Agent, or Firm*—Jean C. Edwards, Esq.; Akerman Senterfitt

(57) **CLAIM**

The ornamental design for a container for volatilizing chemicals, as shown and described.

DESCRIPTION

FIG. 1 is a perspective view of the front, top and right side of a container for volatilizing chemicals showing our new design;

FIG. 2 is a rear view thereof;

FIG. 3 is a right side view thereof;

FIG. 4 is a top plan view thereof;

FIG. 5 is a bottom plan view thereof;

FIG. 6 is a cross sectional view of A—A of FIG. 4 thereof;

FIG. 7 is a front plan view thereof;

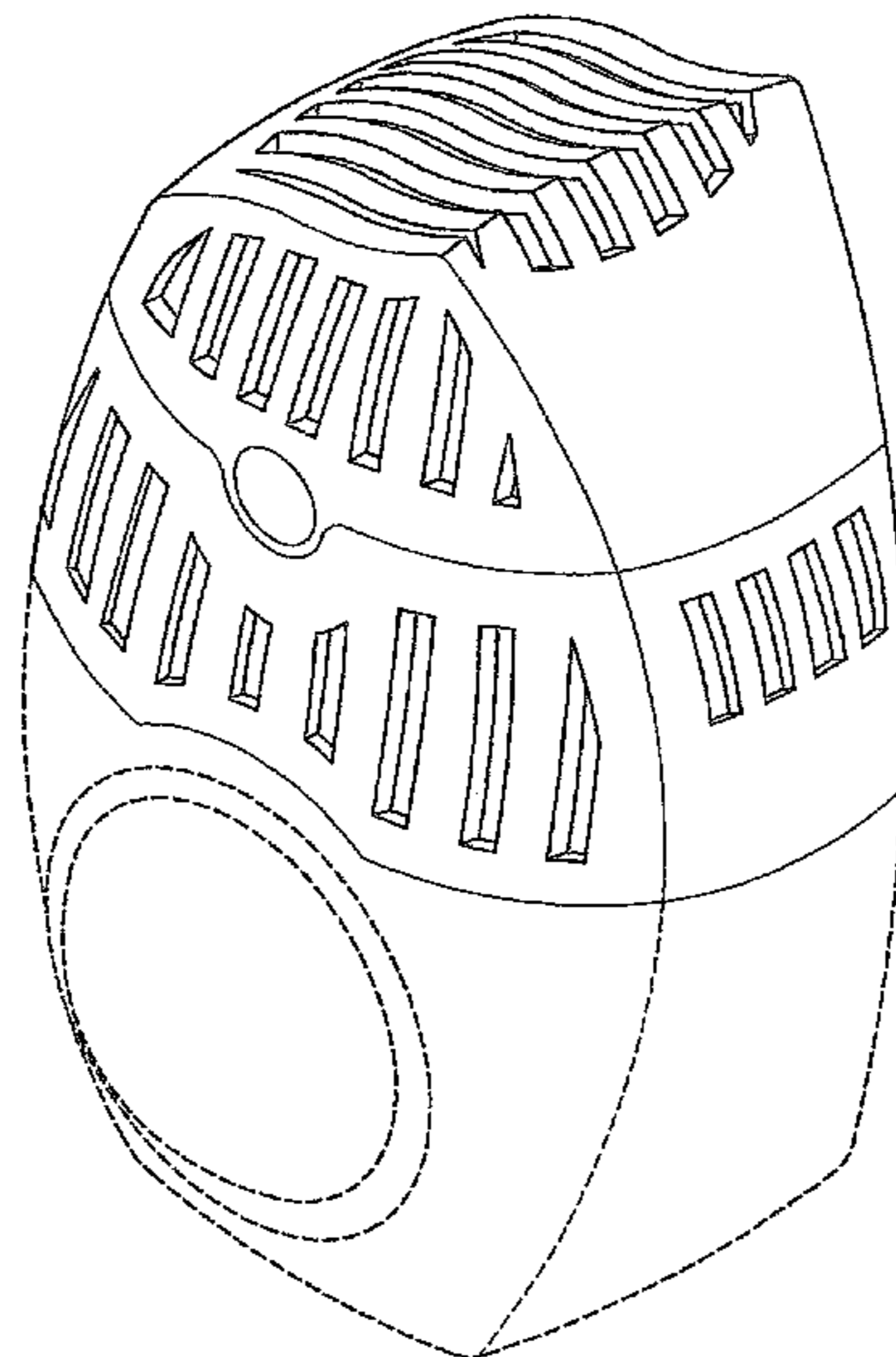
FIG. 8 is a left side view thereof;

FIG. 9 is a C—C end view of FIG. 7 thereof; and,

FIG. 10 is a B—B end view of FIG. 7 thereof.

The portions of the article in broken lines are shown for illustrative purposes only and form no part of the claimed design.

1 Claim, 10 Drawing Sheets



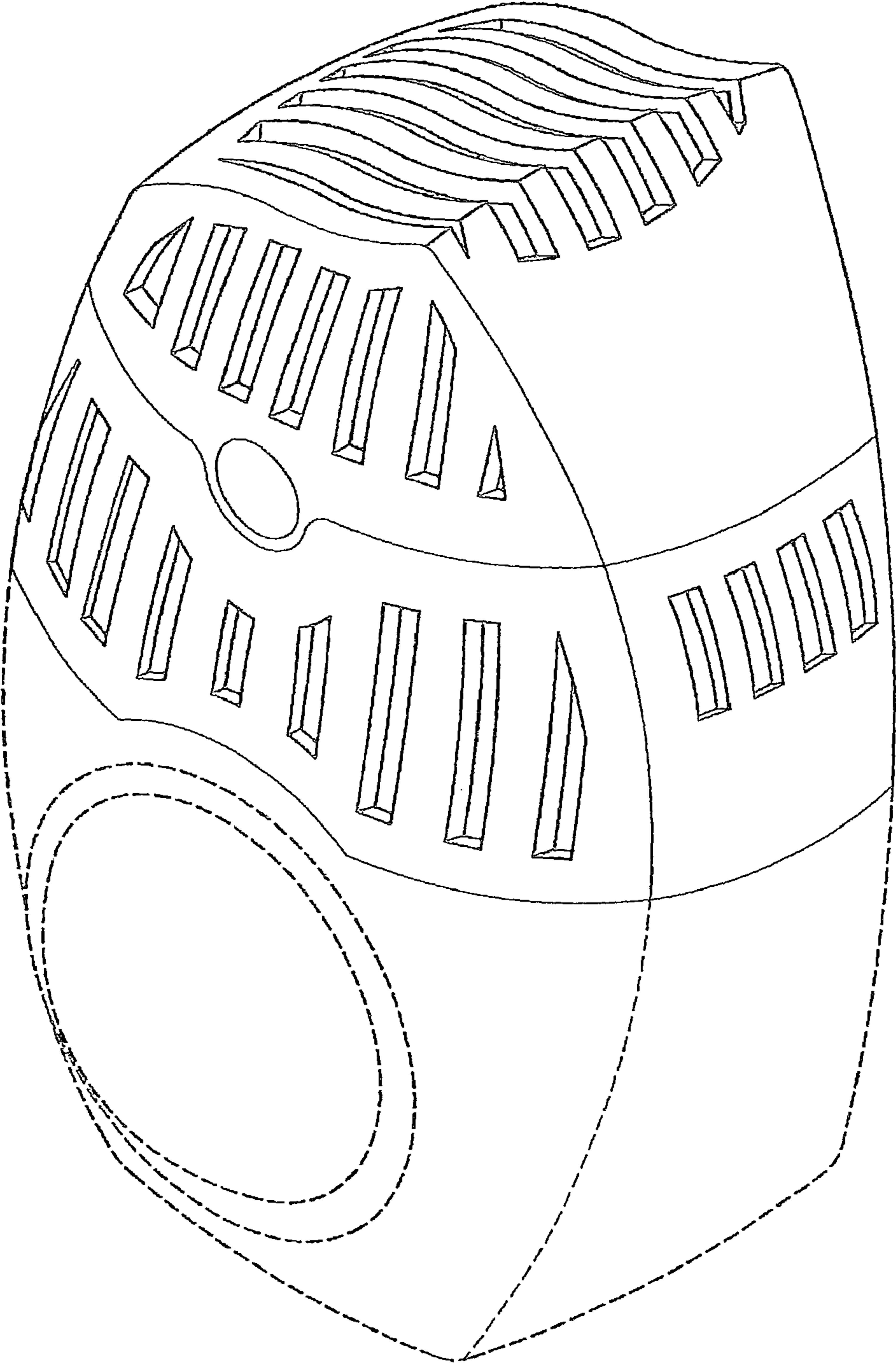


FIGURE 1

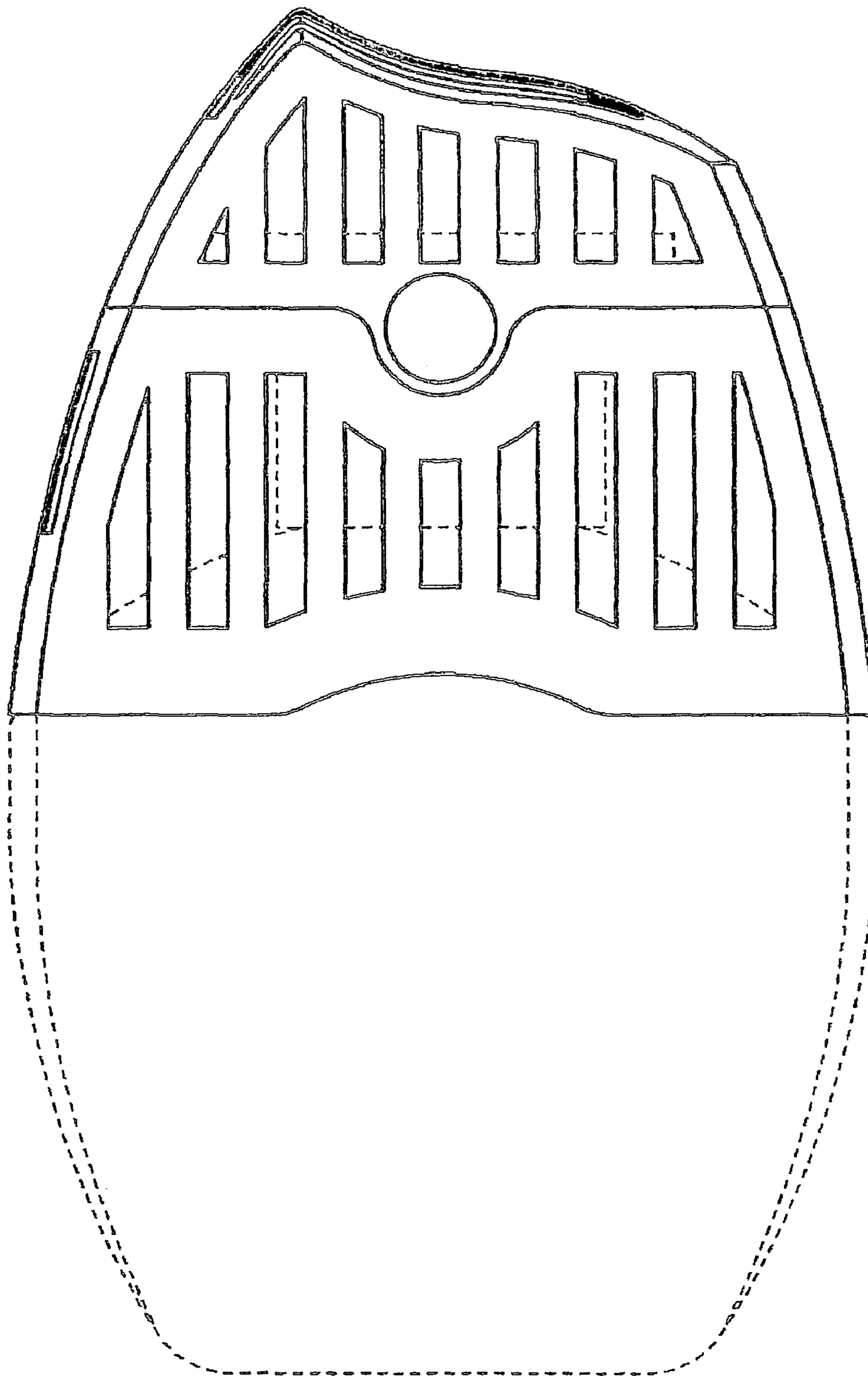


FIGURE 2

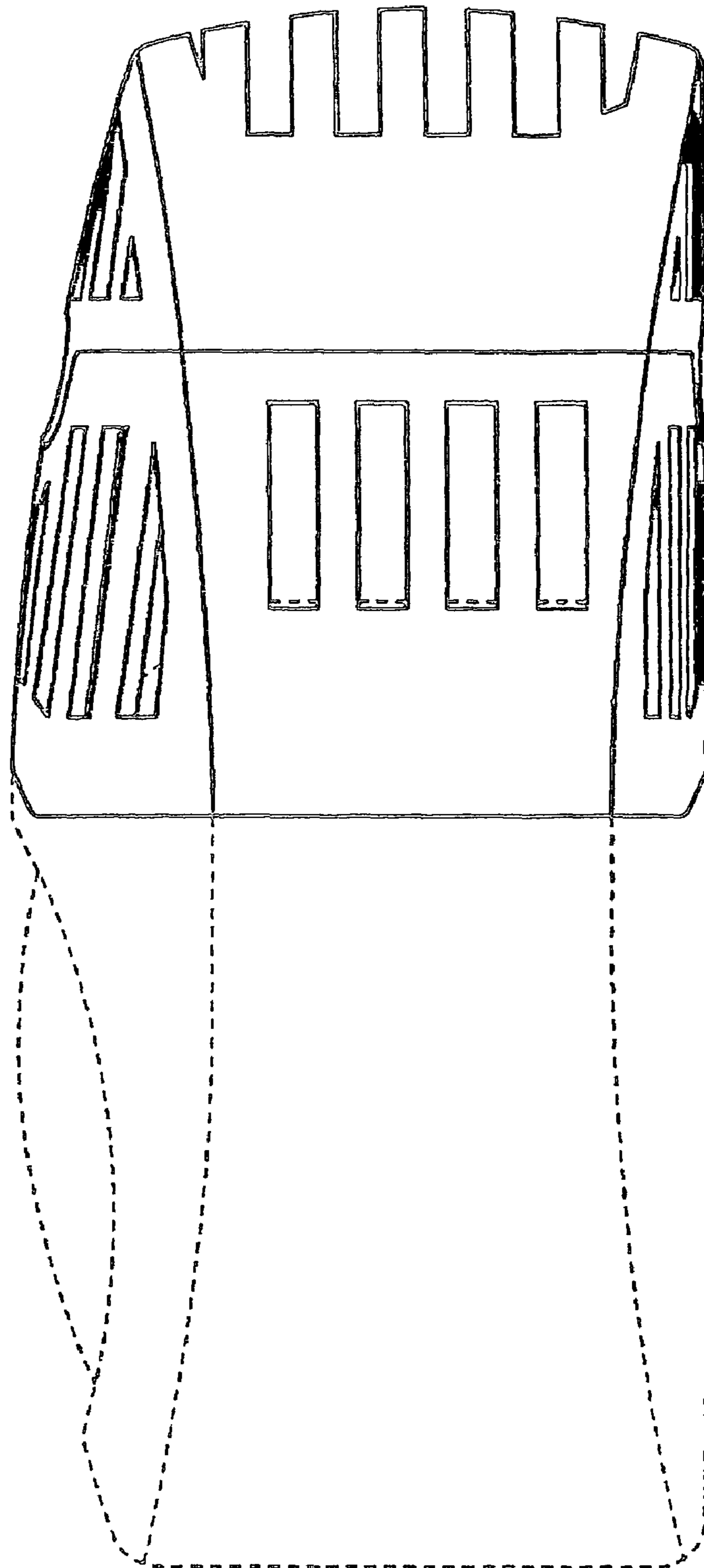
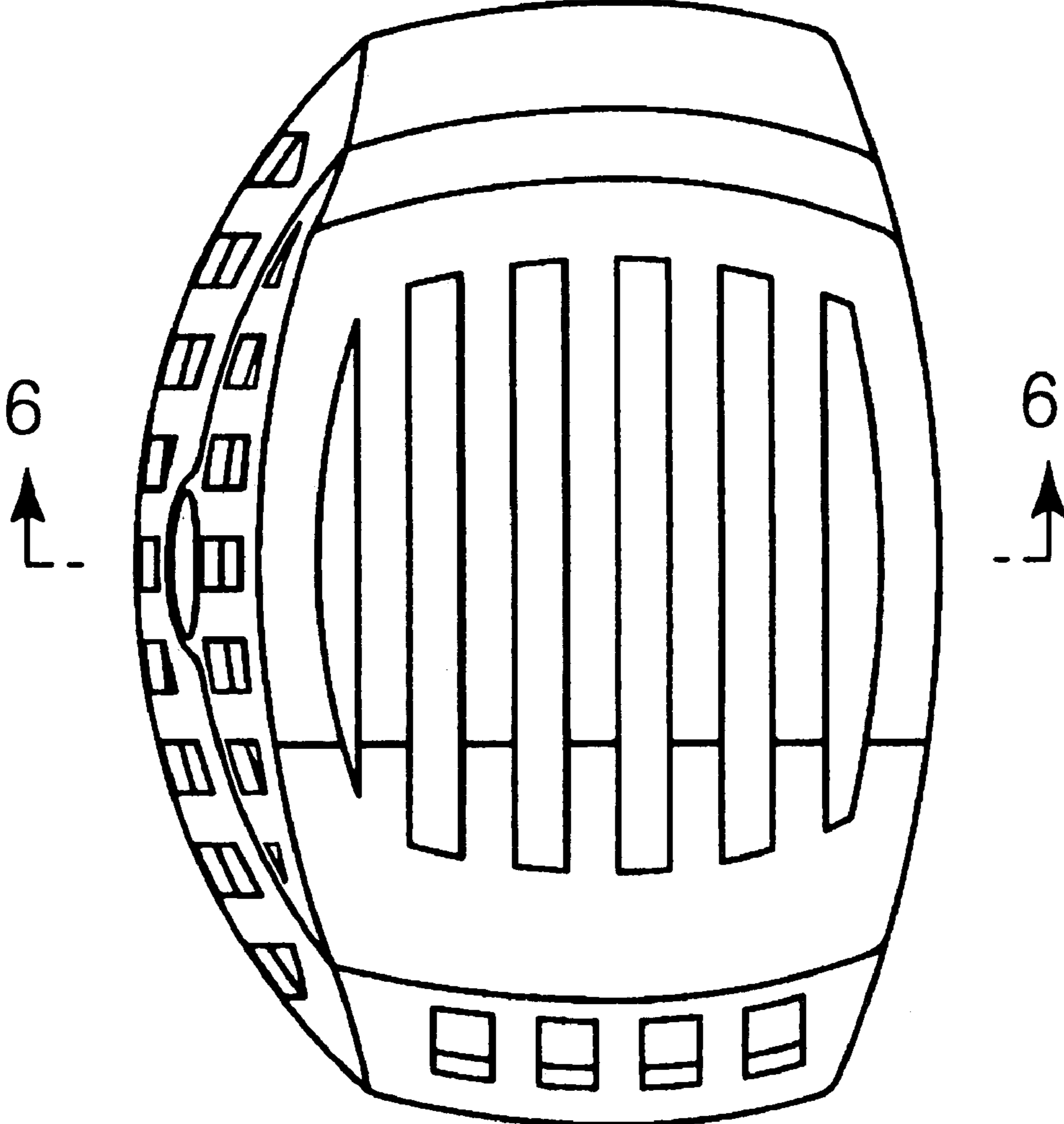


FIGURE 3

FIGURE 4



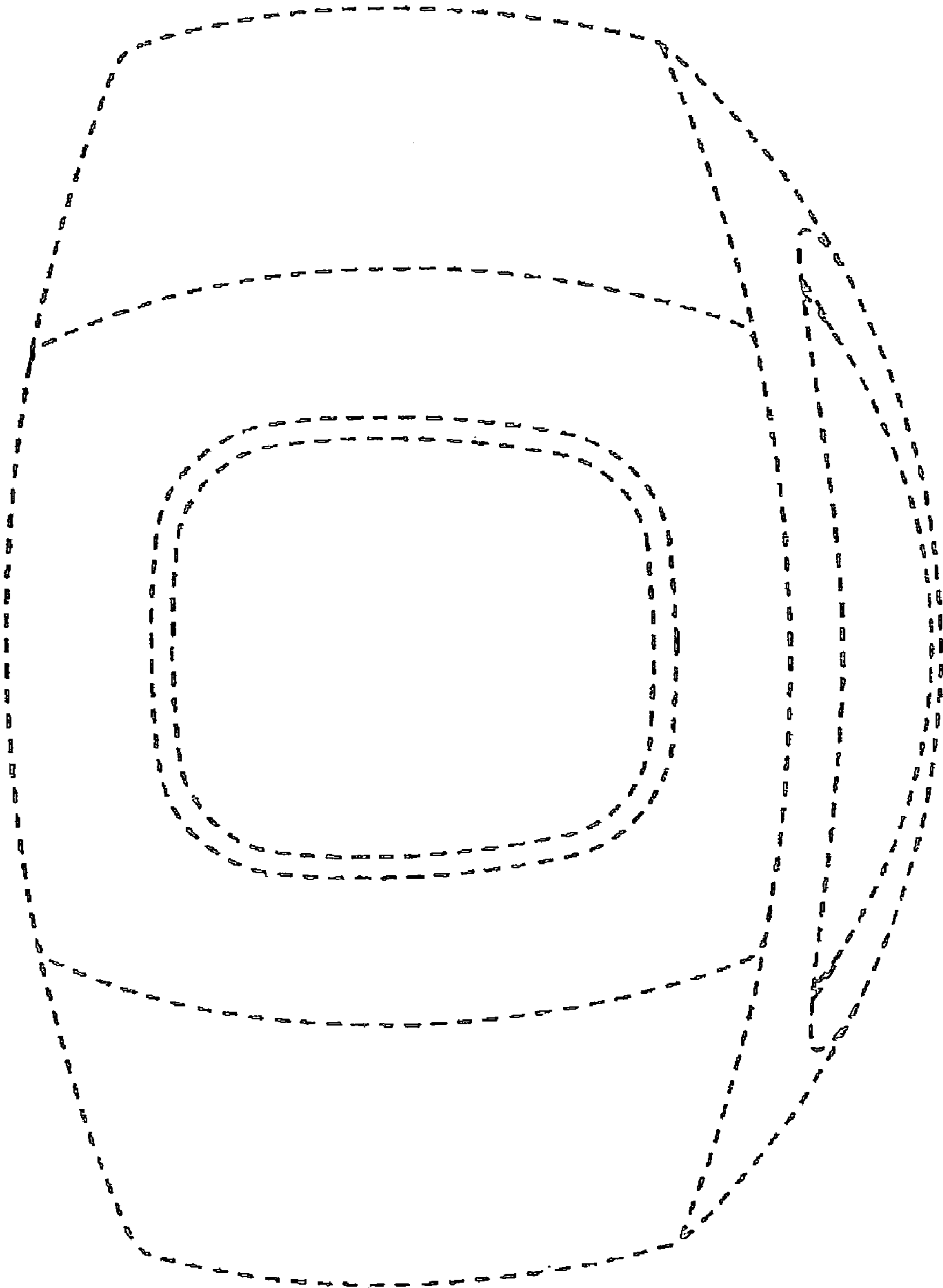


FIGURE 5

FIGURE 6

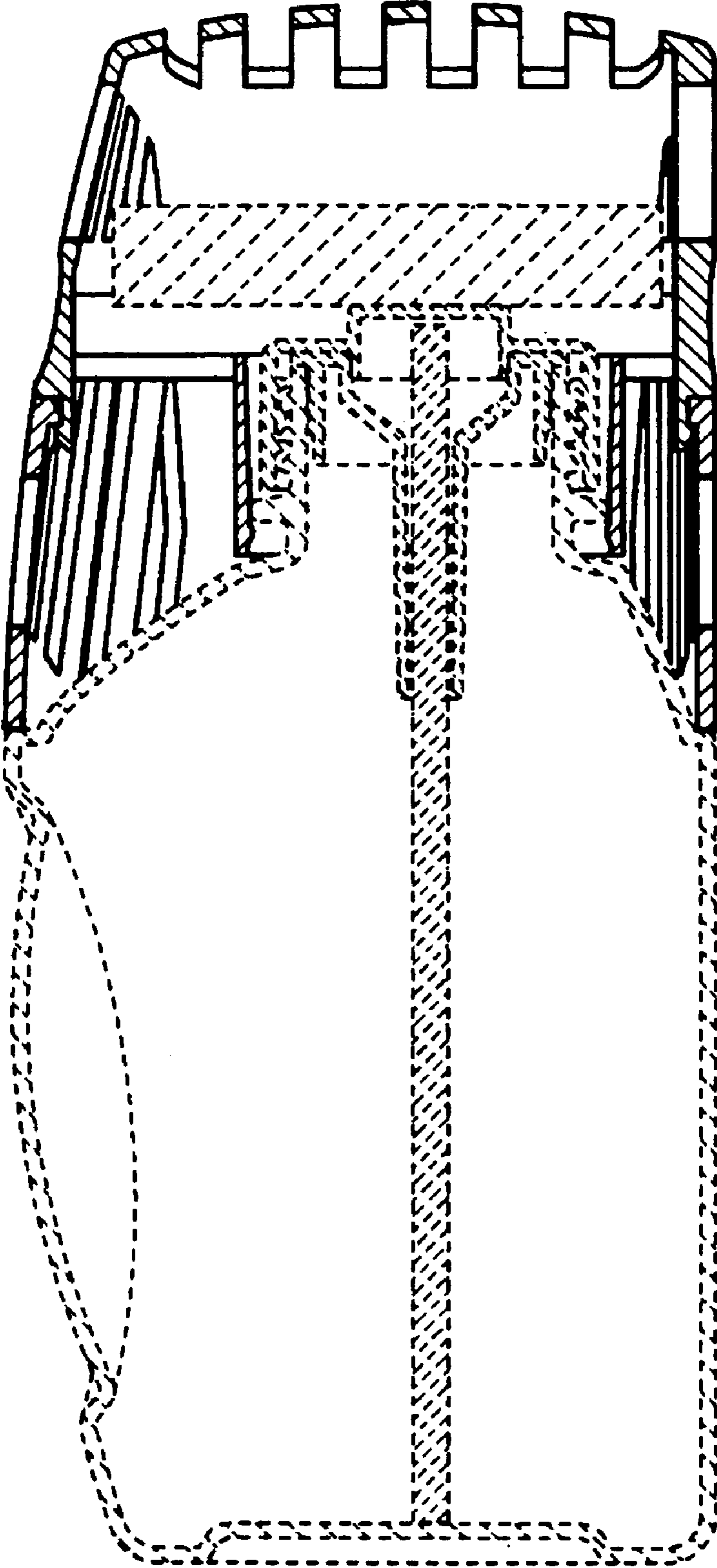
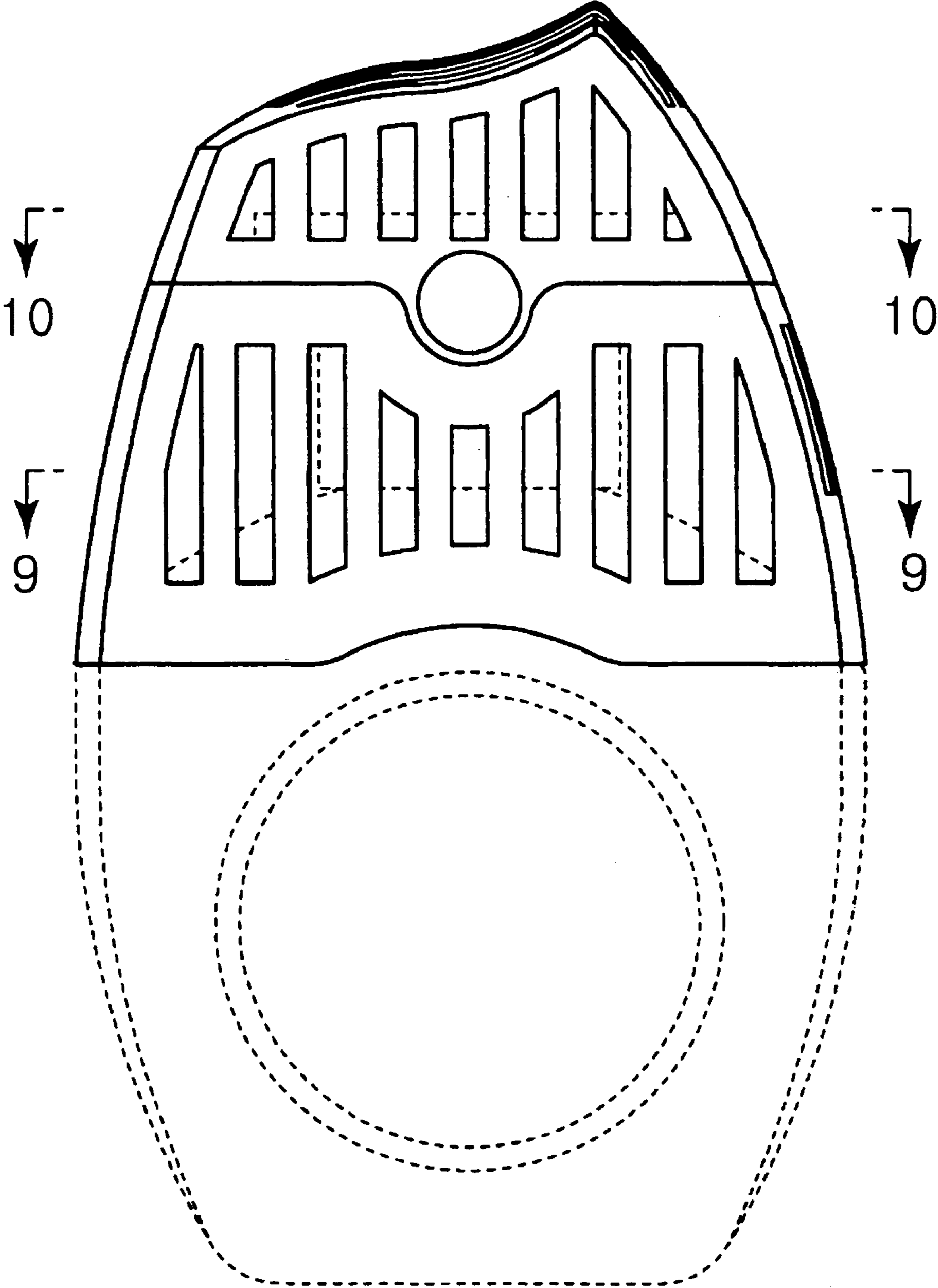


FIGURE 7



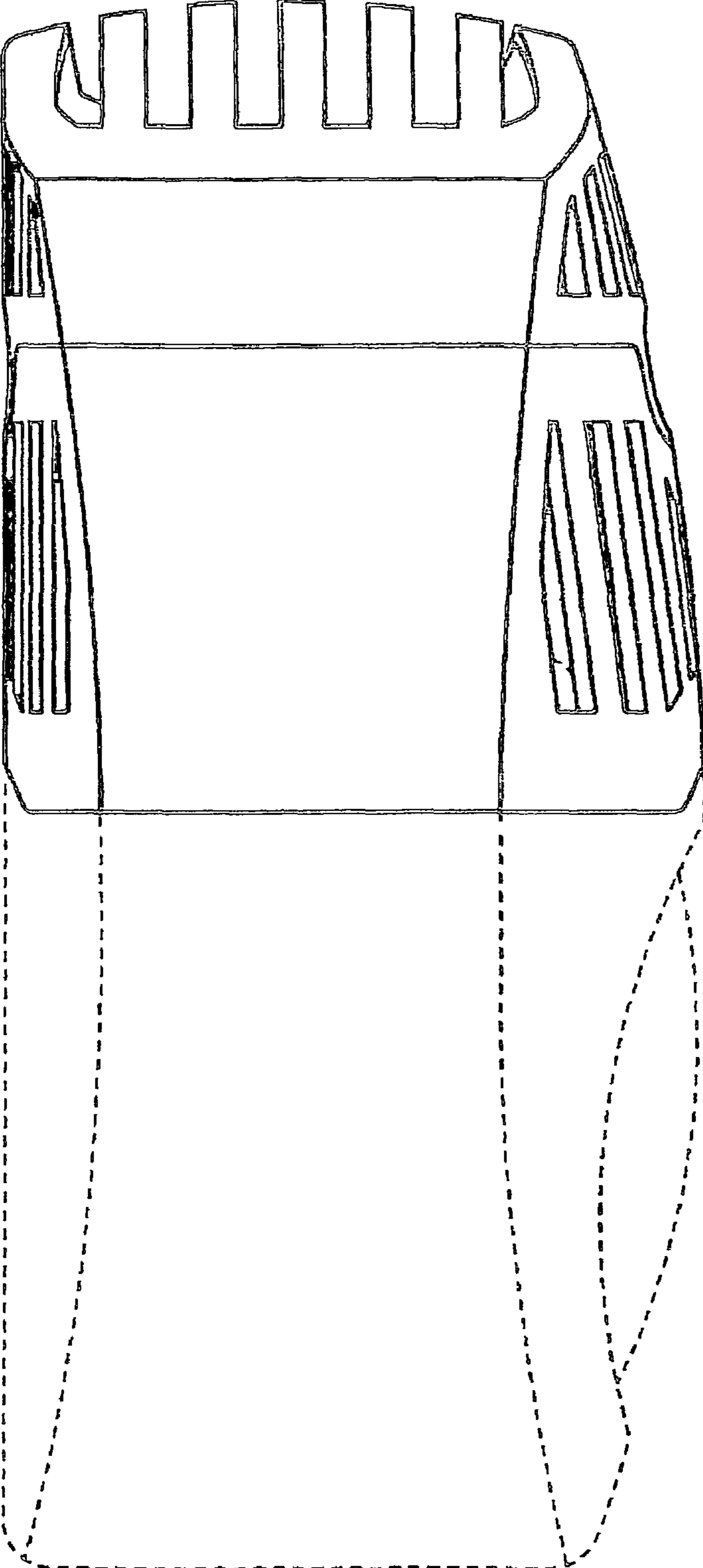


FIGURE 8

FIGURE 9

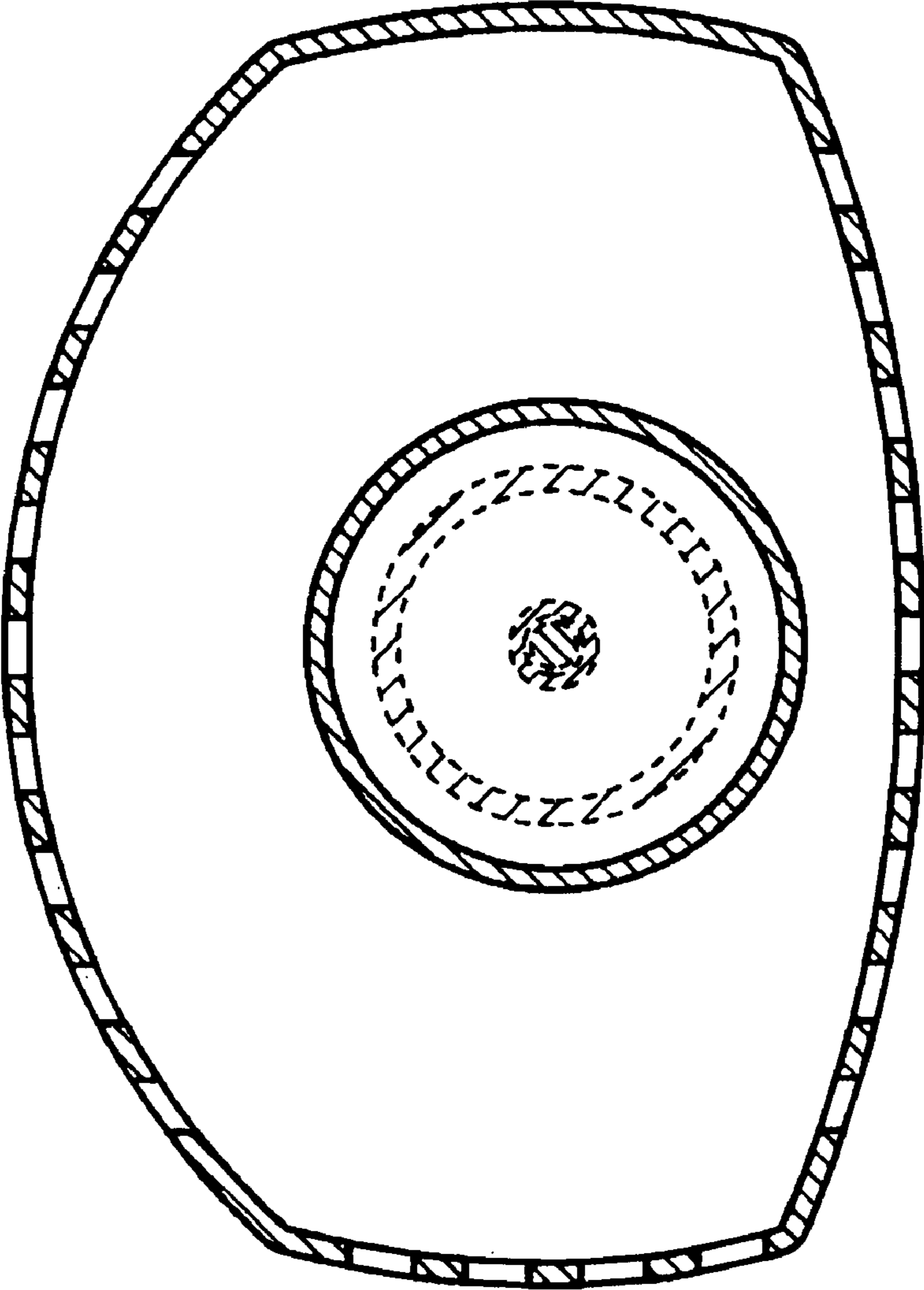


FIGURE 10

