



US00D624638S

(12) **United States Design Patent**  
**Gallo et al.**

(10) **Patent No.:** **US D624,638 S**

(45) **Date of Patent:** **\*\* Sep. 28, 2010**

(54) **FIREPLACE ASSEMBLY**

(75) Inventors: **Christopher J. Gallo**, North Canton, OH (US); **David M. Baker**, Louisville, OH (US)

(73) Assignee: **Heat Surge, LLC**, Canton, OH (US)

(\*\*) Term: **14 Years**

(21) Appl. No.: **29/338,220**

(22) Filed: **Jun. 8, 2009**

(51) **LOC (9) Cl.** ..... **23-03**

(52) **U.S. Cl.** ..... **D23/343**

(58) **Field of Classification Search** ..... D23/317,  
D23/314, 332, 333, 334, 335, 337, 342, 351,  
D23/355, 378, 370, 381, 364, 336, 341, 343,  
D23/344, 348; 416/244 R, 247 R, 53.1-53.3;  
392/365, 367; D6/450, 397

See application file for complete search history.

(56) **References Cited**

**U.S. PATENT DOCUMENTS**

5,887,388	A *	3/1999	Hempel et al.	52/27
D423,810	S *	5/2000	Dorst	D6/397
D431,646	S *	10/2000	Mattarelli	D23/404
D509,581	S *	9/2005	Rumens	D23/404
6,953,037	B2 *	10/2005	Rumens	126/512
D574,474	S *	8/2008	Carroll et al.	D23/342
D574,939	S *	8/2008	Carroll et al.	D23/342

**OTHER PUBLICATIONS**

<http://www.samsclub.com/shopping/navigate.do?dest=5&item=386283&pid=>; Mantel Fireplace w/ 23" Electric Firebox attached.  
<http://www.electricfireplacesdirect.com>; Electric Fireplace Insert attached.  
[http://www.everythingfurniture.com/classis-electric-fireplace; Home Theater Fireplace by Classic Flame in Espresso—Anaheim—23MM705ESP-0451](http://www.everythingfurniture.com/classis-electric-fireplace;Home+Theater+Fireplace+by+Classic+Flame+in+Espresso+Anaheim+23MM705ESP-0451) attached.  
<http://www.heatnglo.com/products/mantelsSurrounds/index.asp>; Crestfire Electric Series-Inserts and Fireplaces attached.

\* cited by examiner

*Primary Examiner*—T. Chase Nelson

*Assistant Examiner*—Ania K Dworzecka

(74) *Attorney, Agent, or Firm*—Sand & Sebolt

(57) **CLAIM**

The ornamental design for a fireplace assembly, as shown.

**DESCRIPTION**

FIG. 1 is a perspective view of a fireplace assembly in accordance with the present invention;

FIG. 2 is a front elevation view of the fireplace assembly;

FIG. 3 is a rear elevation view of the fireplace assembly;

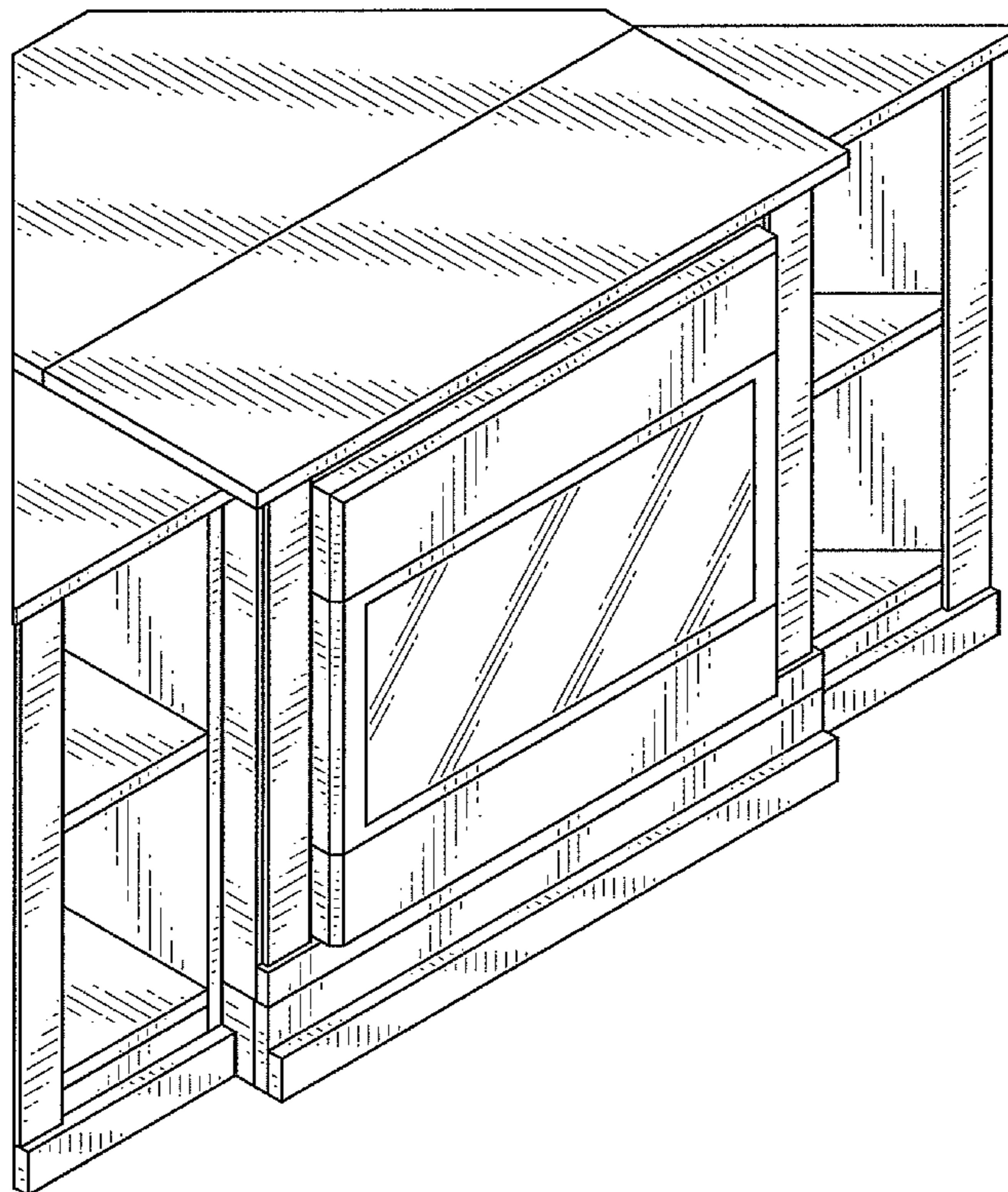
FIG. 4 is a top plan view of the fireplace assembly;

FIG. 5 is a bottom plan view of the fireplace assembly;

FIG. 6 is a right elevation view of the fireplace assembly; and,

FIG. 7 is a left elevation view of the fireplace assembly.

**1 Claim, 6 Drawing Sheets**



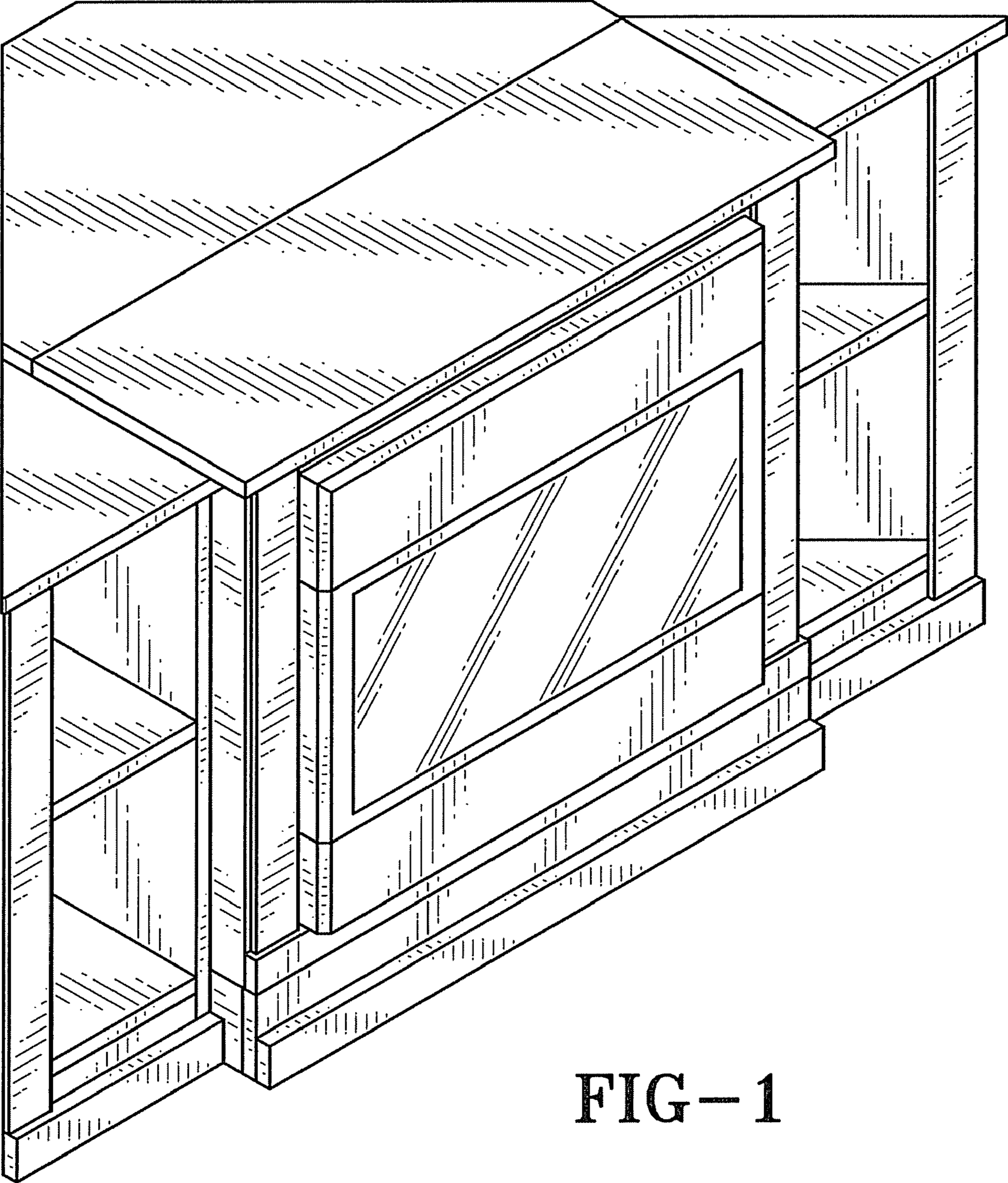


FIG-1



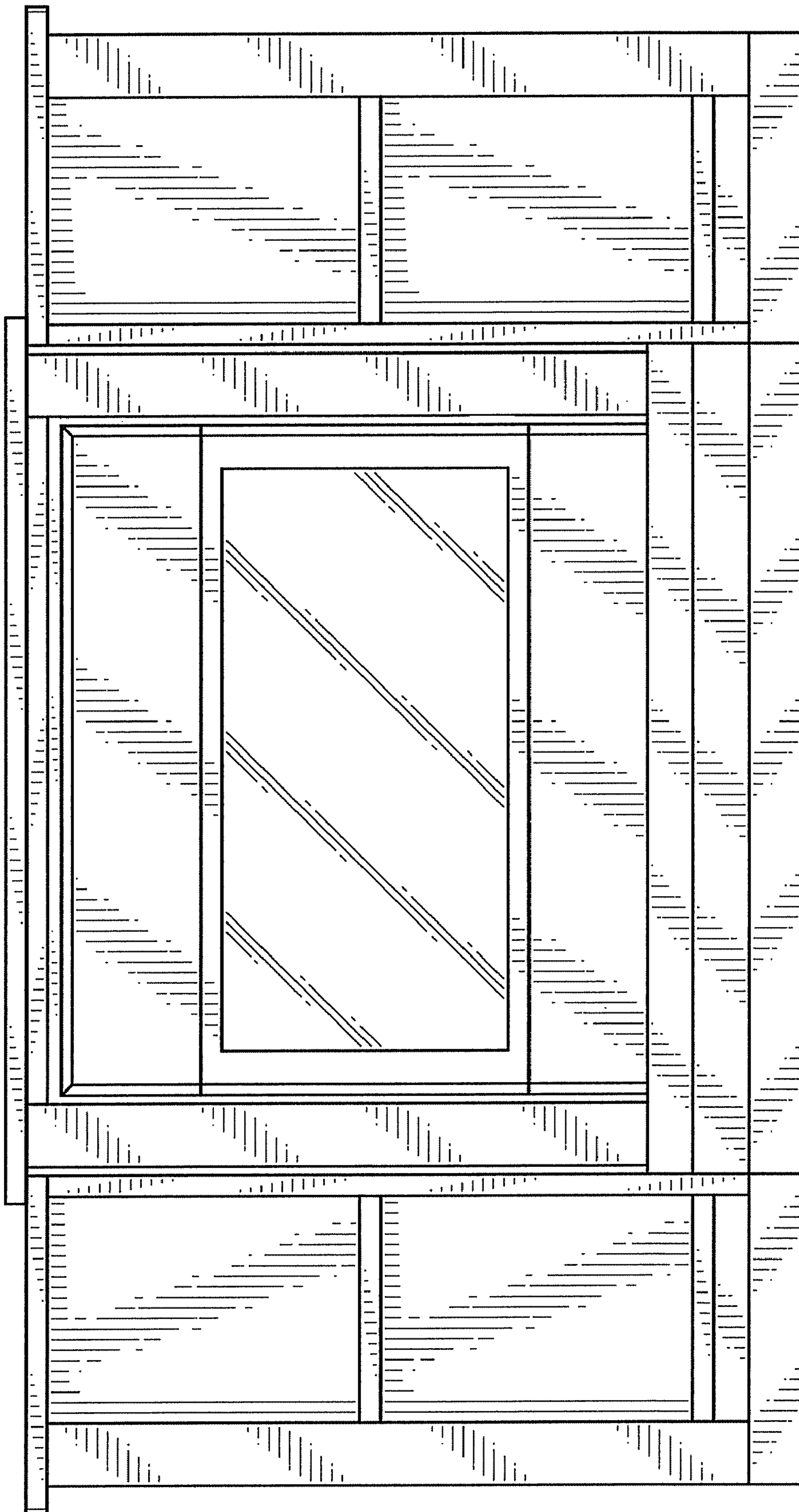


FIG-2

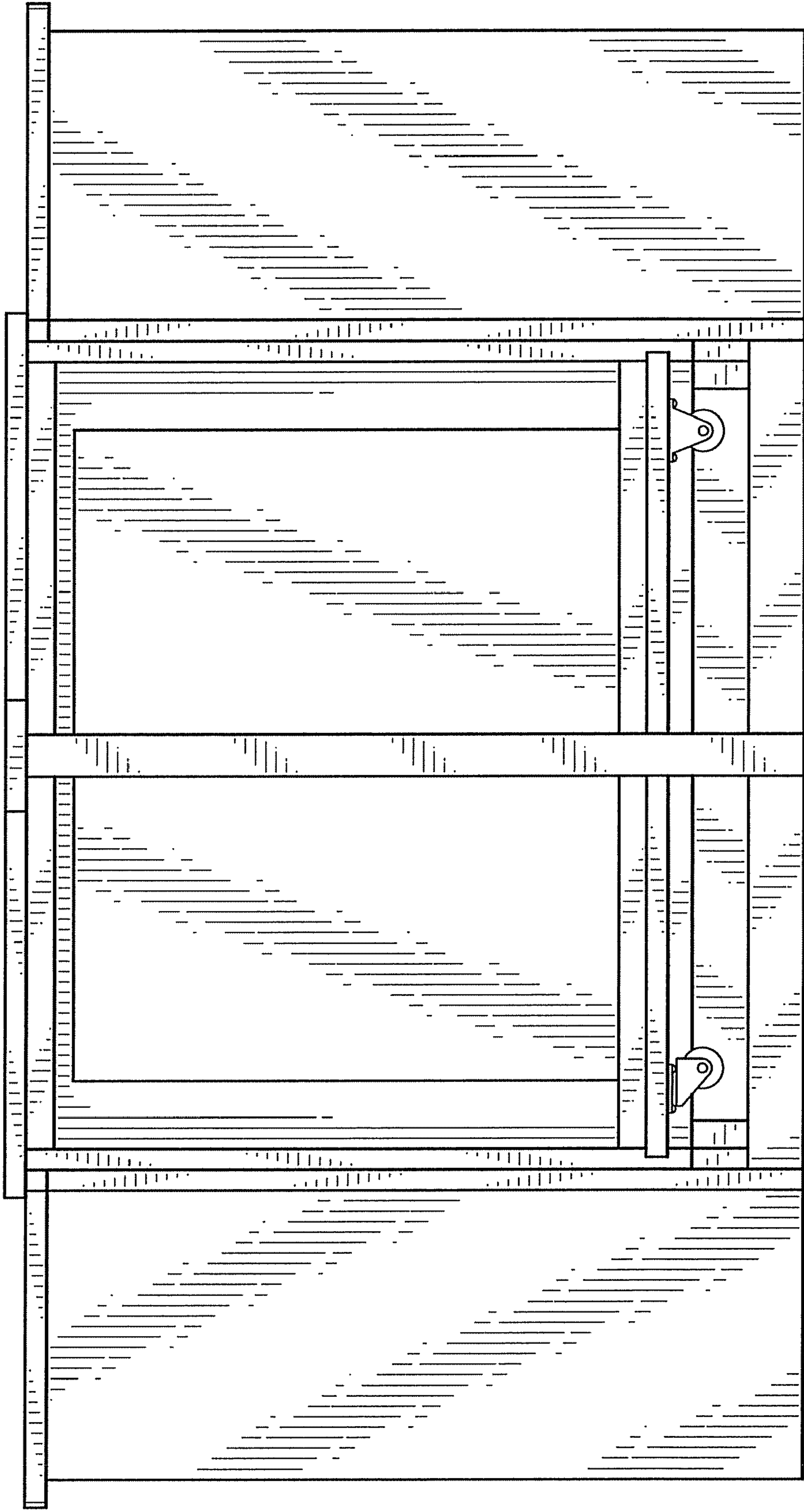


FIG-3

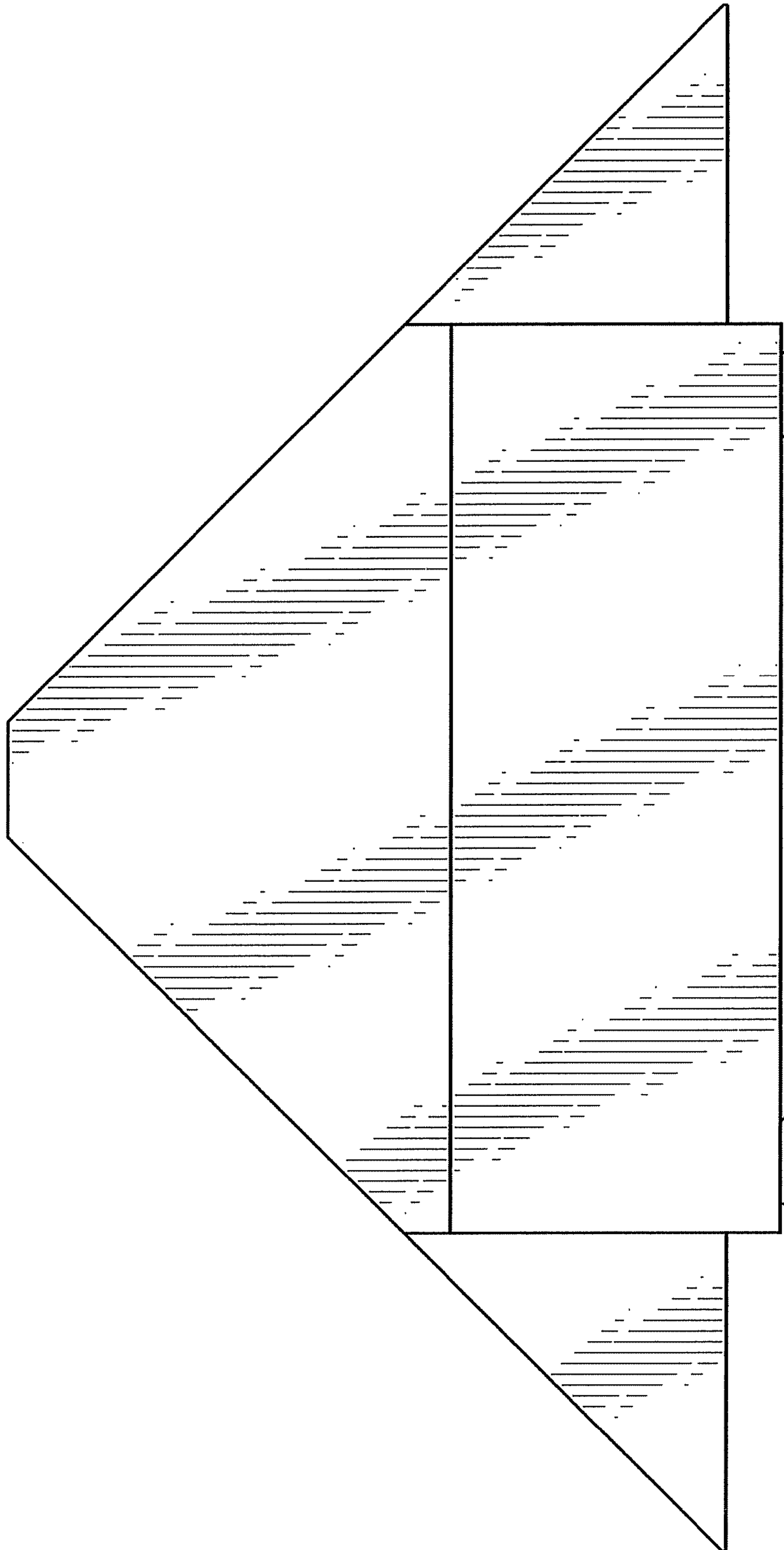


FIG-4

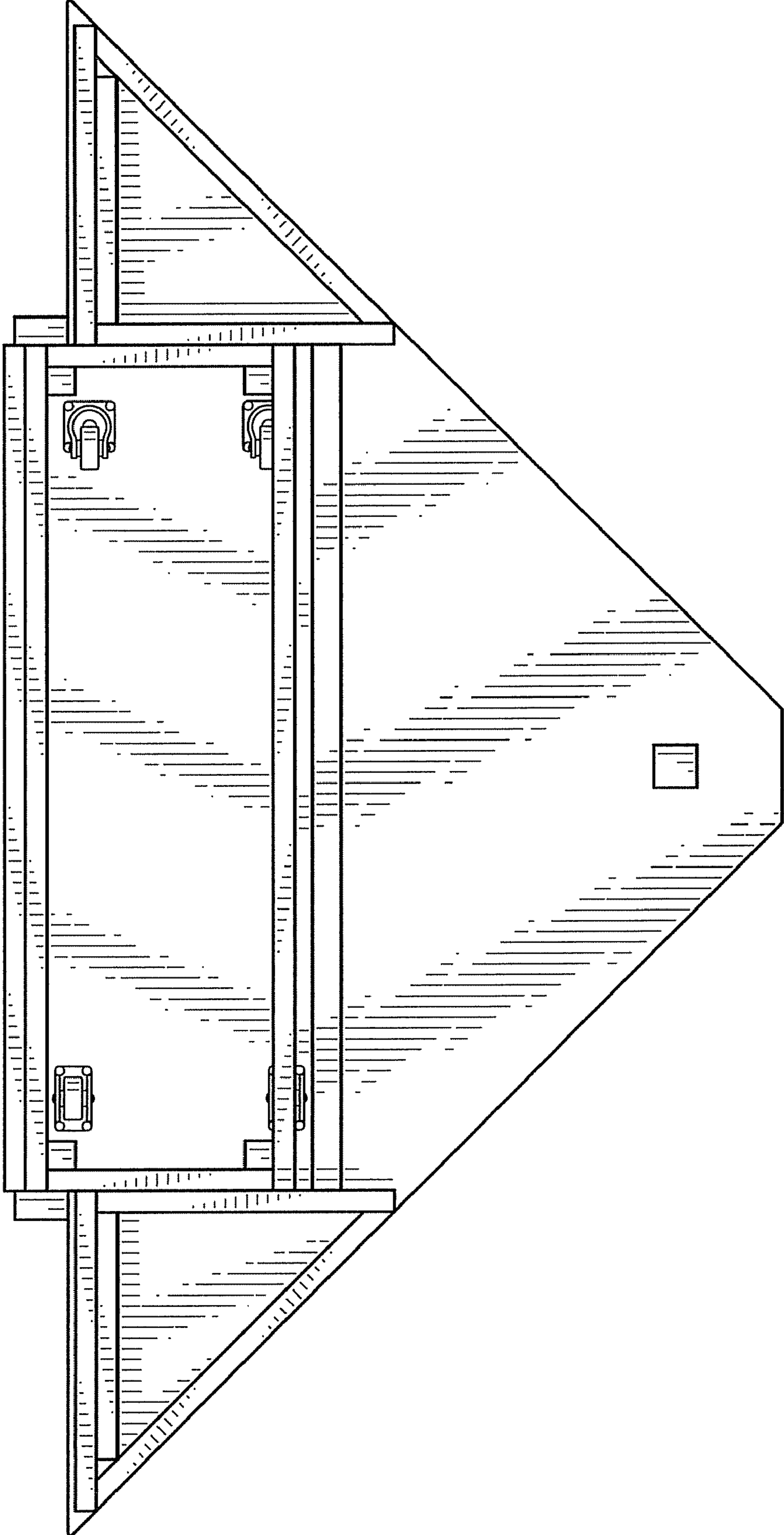


FIG-5



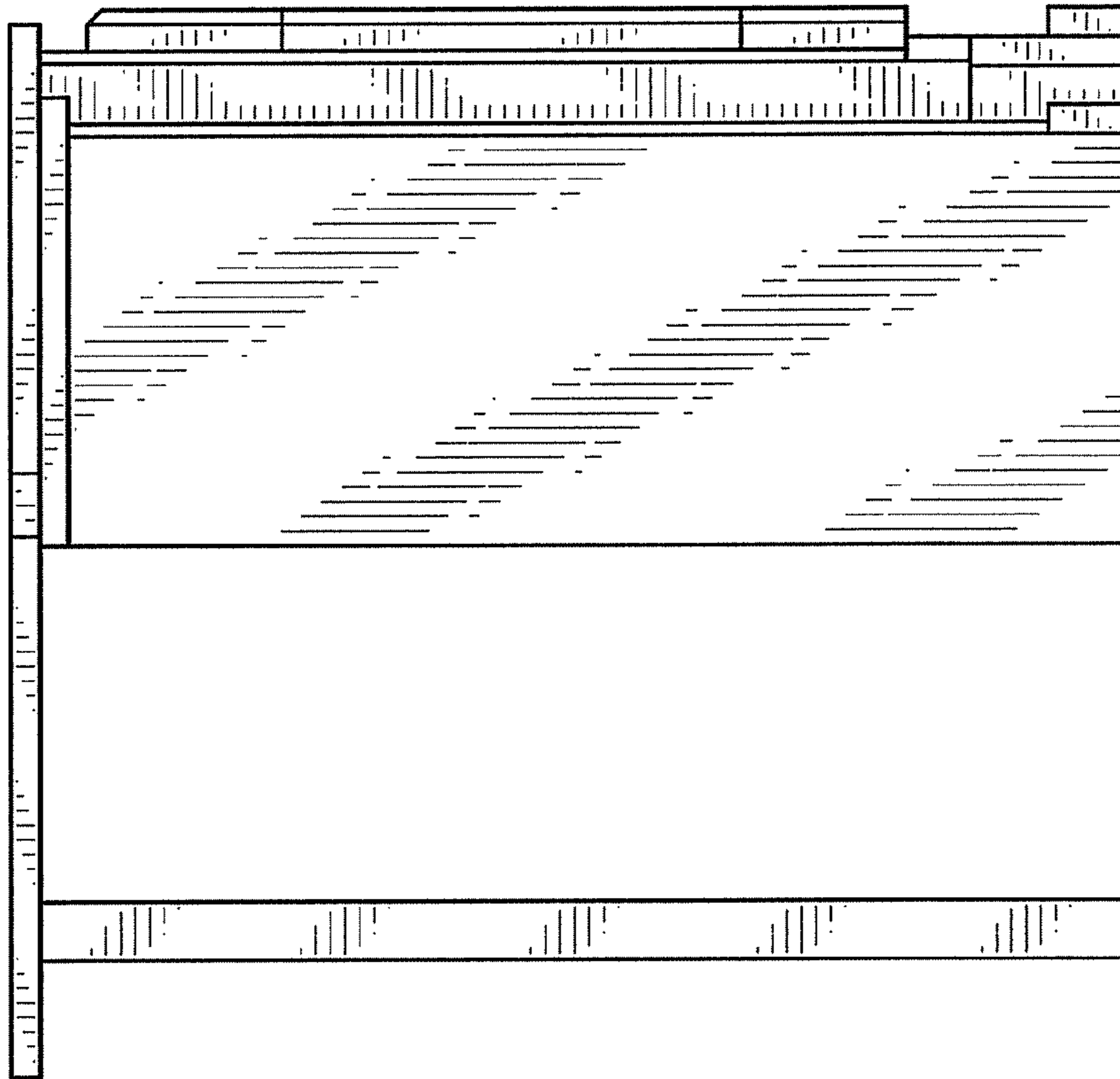


FIG-7

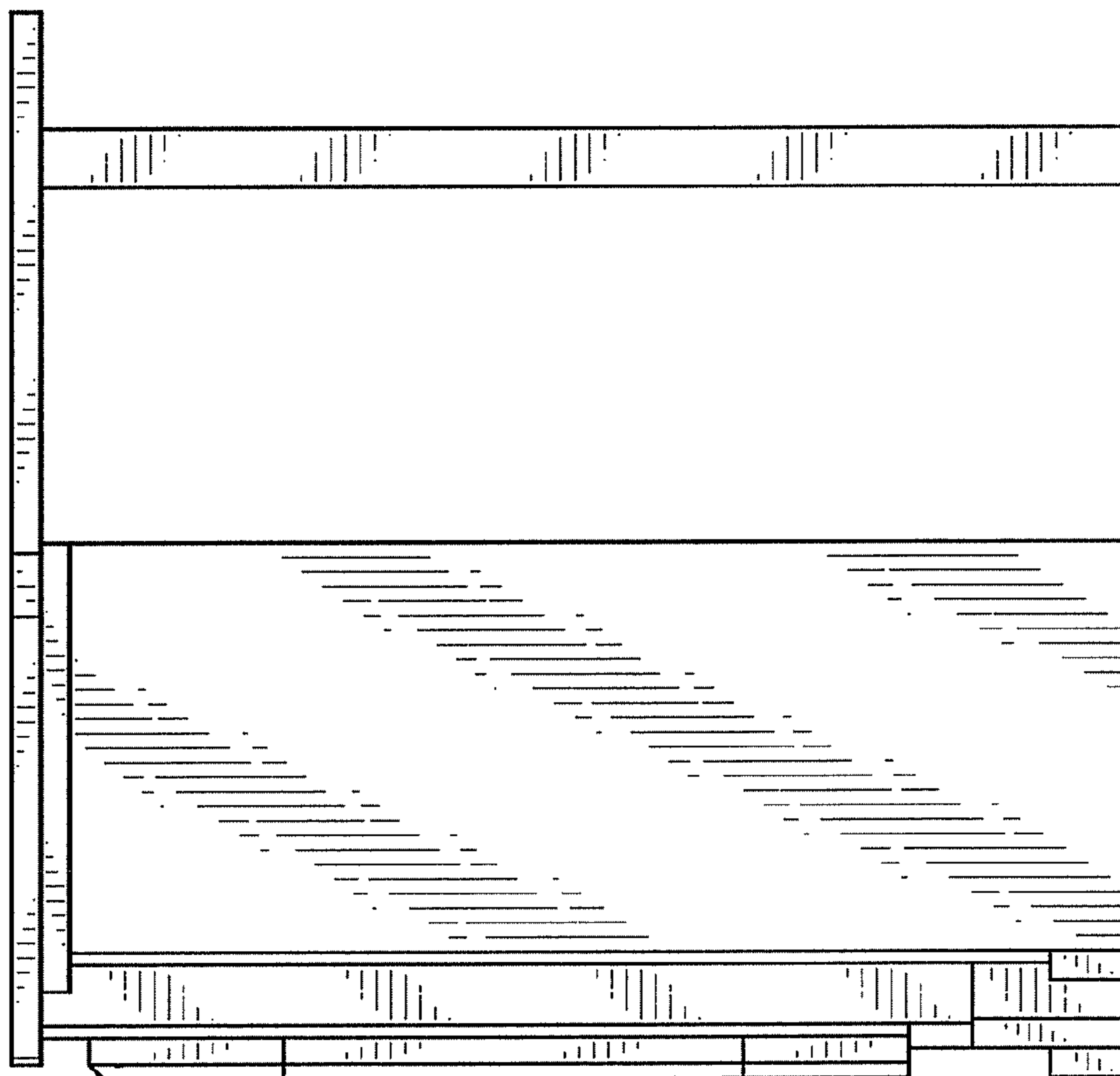


FIG-6