



US00D624632S

(12) **United States Design Patent**
Booth et al.

(10) **Patent No.:** **US D624,632 S**

(45) **Date of Patent:** **** Sep. 28, 2010**

(54) **SINK**

(75) Inventors: **Shawn J. Booth**, Sheboygan, WI (US);
Terrence Mahon, Whitefish Bay, WI
(US); **Mary Reid**, Sheboygan, WI (US)

(73) Assignee: **Kohler**, Kohler, WI (US)

(**) Term: **14 Years**

(21) Appl. No.: **29/336,184**

(22) Filed: **Apr. 29, 2009**

(51) **LOC (9) Cl.** **23-02**

(52) **U.S. Cl.** **D23/284**

(58) **Field of Classification Search** D23/284–285,
D23/293.1, 308; 4/619, 631, 650, 660
See application file for complete search history.

(56) **References Cited**

U.S. PATENT DOCUMENTS

D598,081 S * 8/2009 Soulier D23/284

D601,674 S * 10/2009 Hanna D23/284

D609,315 S * 2/2010 Soulier D23/293.1

OTHER PUBLICATIONS

Kohler Co. “Undertone Trough Basins”. Model No. K-03157-NA.
Kohler Co. catalog, p. 15.94. Copyright 2003 kohler Co.

Kohler Co. “Undertone Trough Basins”. Model No. K-3155NA.
Kohler Co. catalog, p. 15.94. Copyright 2003 Kohler Co.

Kohler Co. “Crevasse™ prep sink with Cynchronus™ rinsing technology”. Model No. K-644. Kohler Co. online catalog. Copyright 2003 Kohler Co.

* cited by examiner

Primary Examiner—Robert A Delehanty

(74) *Attorney, Agent, or Firm*—Quarles & Brady LLP

(57) **CLAIM**

The ornamental design for a sink, as shown and described.

DESCRIPTION

FIG. 1 is a right, top, front perspective view of a sink embodying my new design;

FIG. 2 is a top plan view thereof;

FIG. 3 is a front elevational view thereof, the rear elevational view thereof being a mirror image of the front shown;

FIG. 4 is a right side elevational view thereof, the left side elevational view thereof being a mirror image of the right side shown;

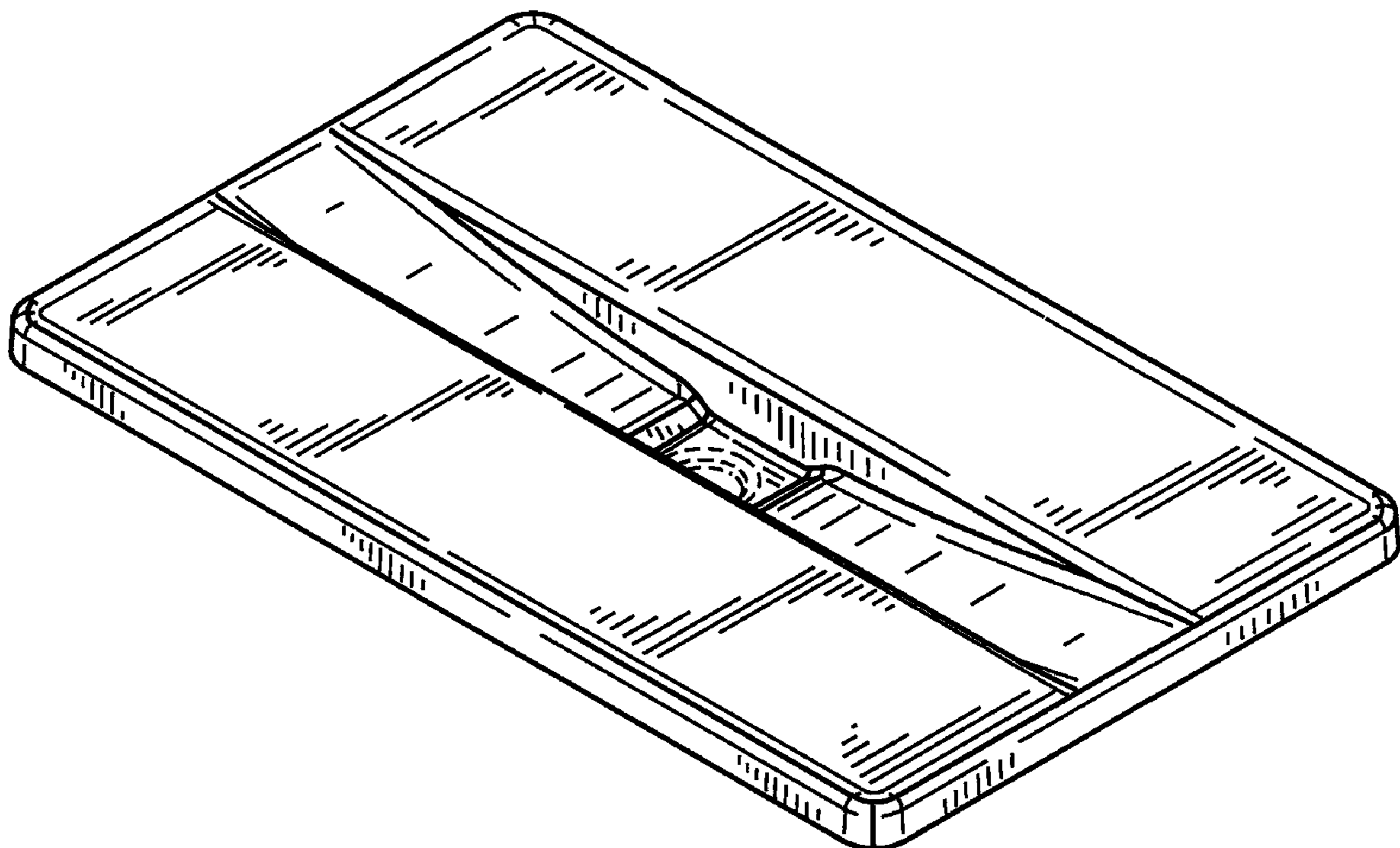
FIG. 5 is a bottom plan view thereof; and,

FIG. 6 is a sectional view taken along line 6—6 of FIG. 2.

The broken line representations in the figures are for the purpose of illustration only, and form no part of the claimed design.

In a preferred embodiment, the nature of this product is as a plumbing fixture in the form of a sink which is primarily useful for washing various items.

1 Claim, 3 Drawing Sheets



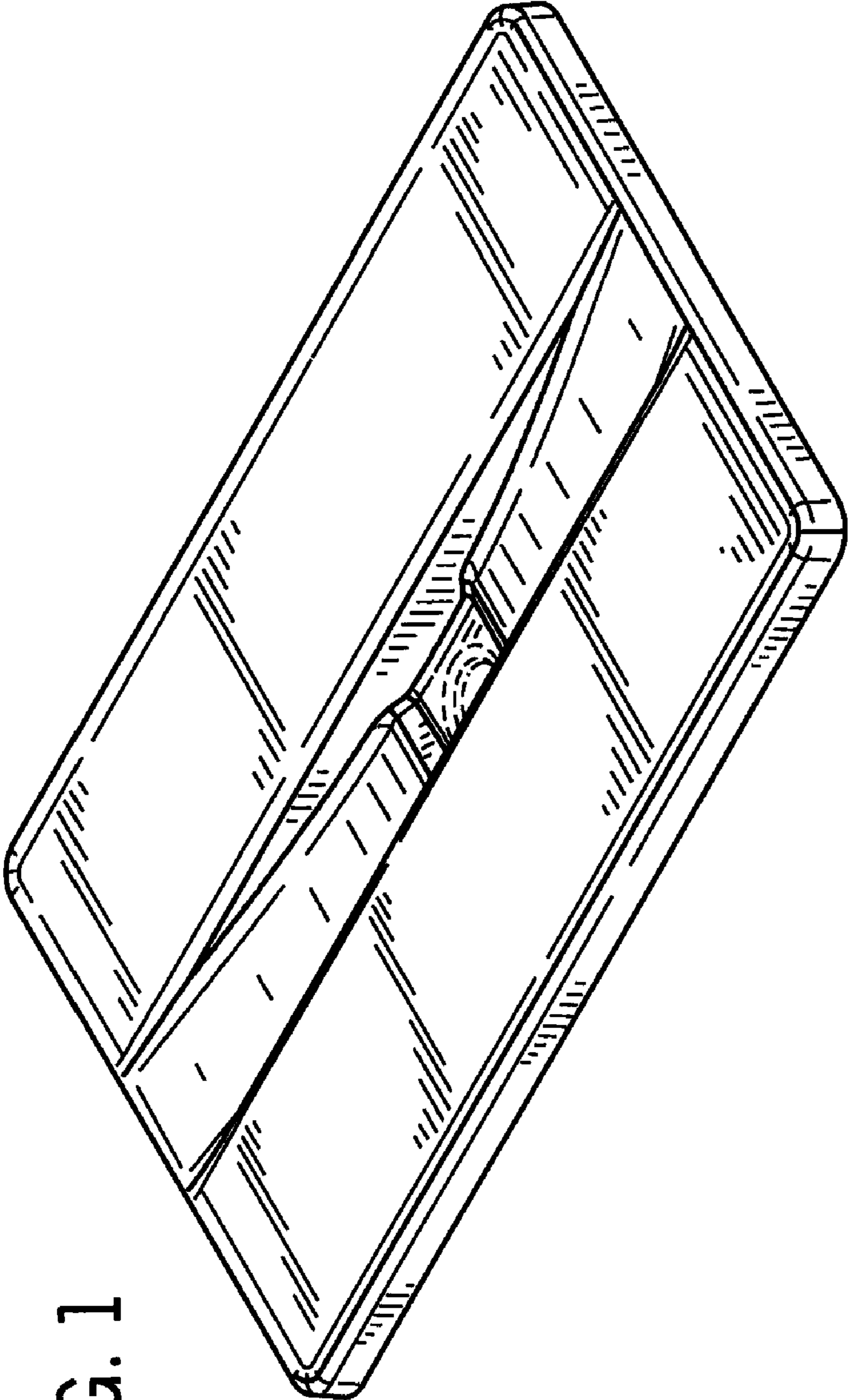


FIG. 1

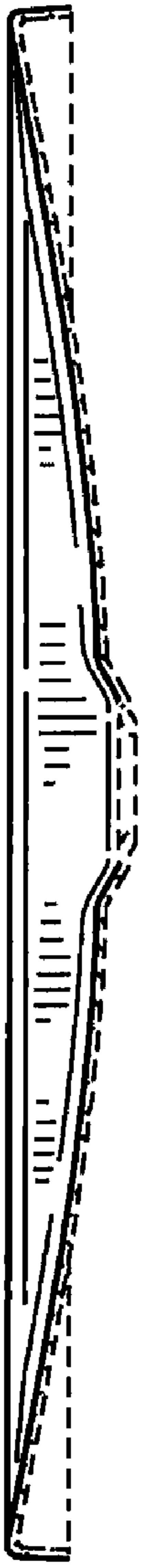


FIG. 6

FIG. 2

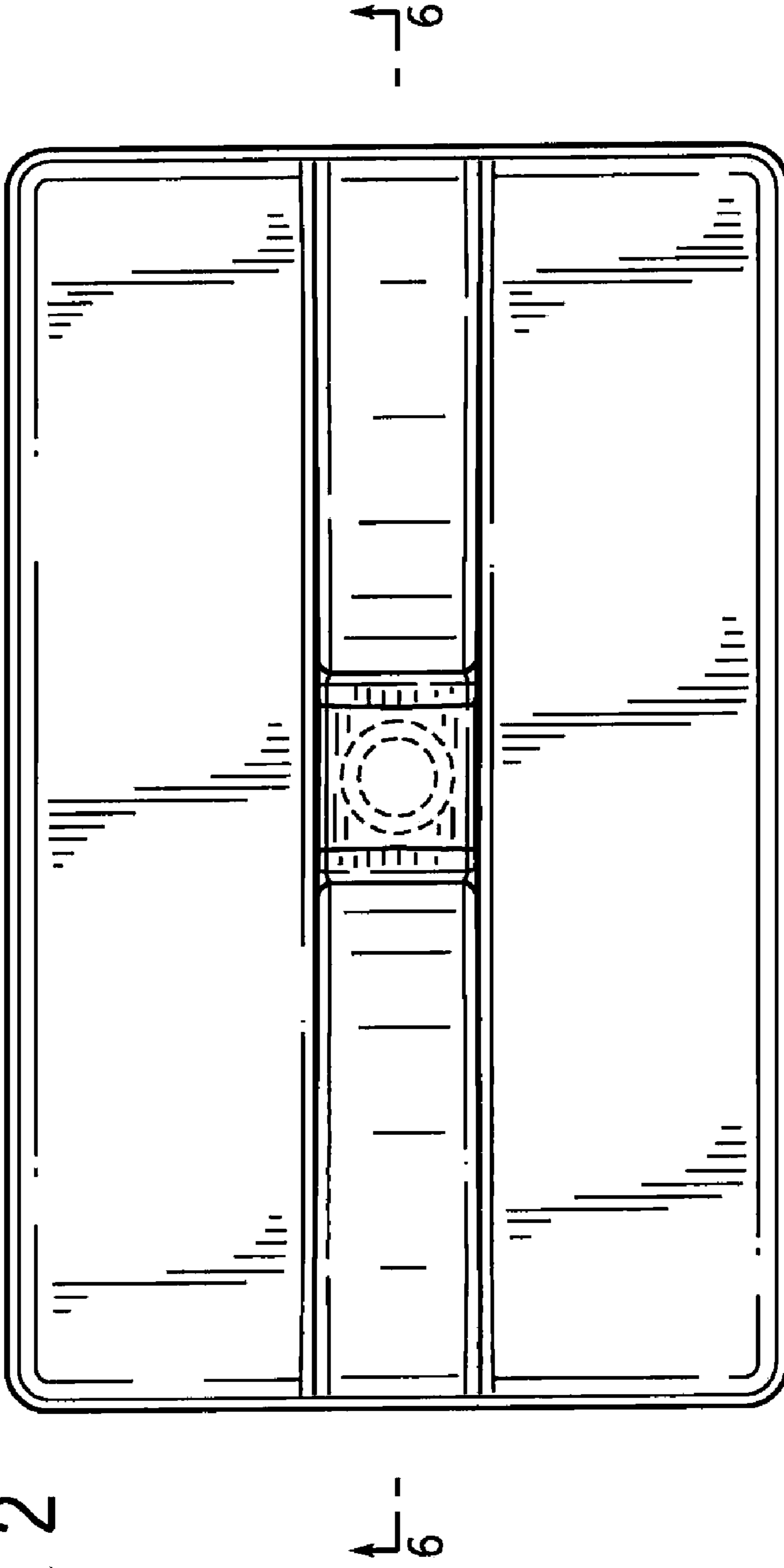


FIG. 3



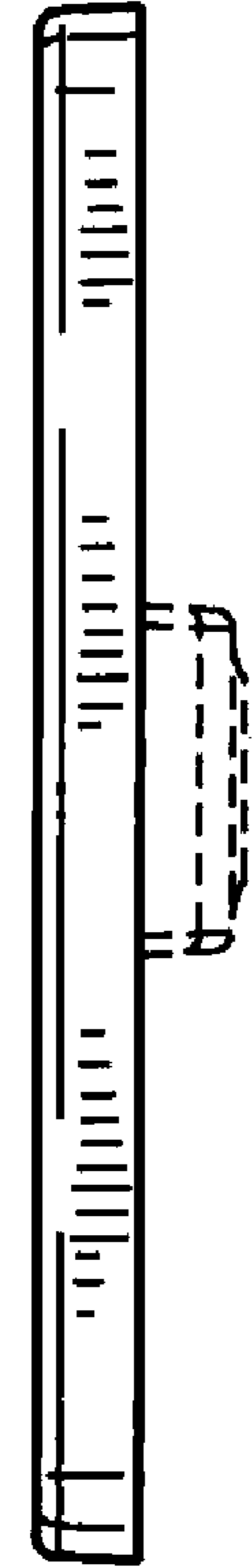


FIG. 4

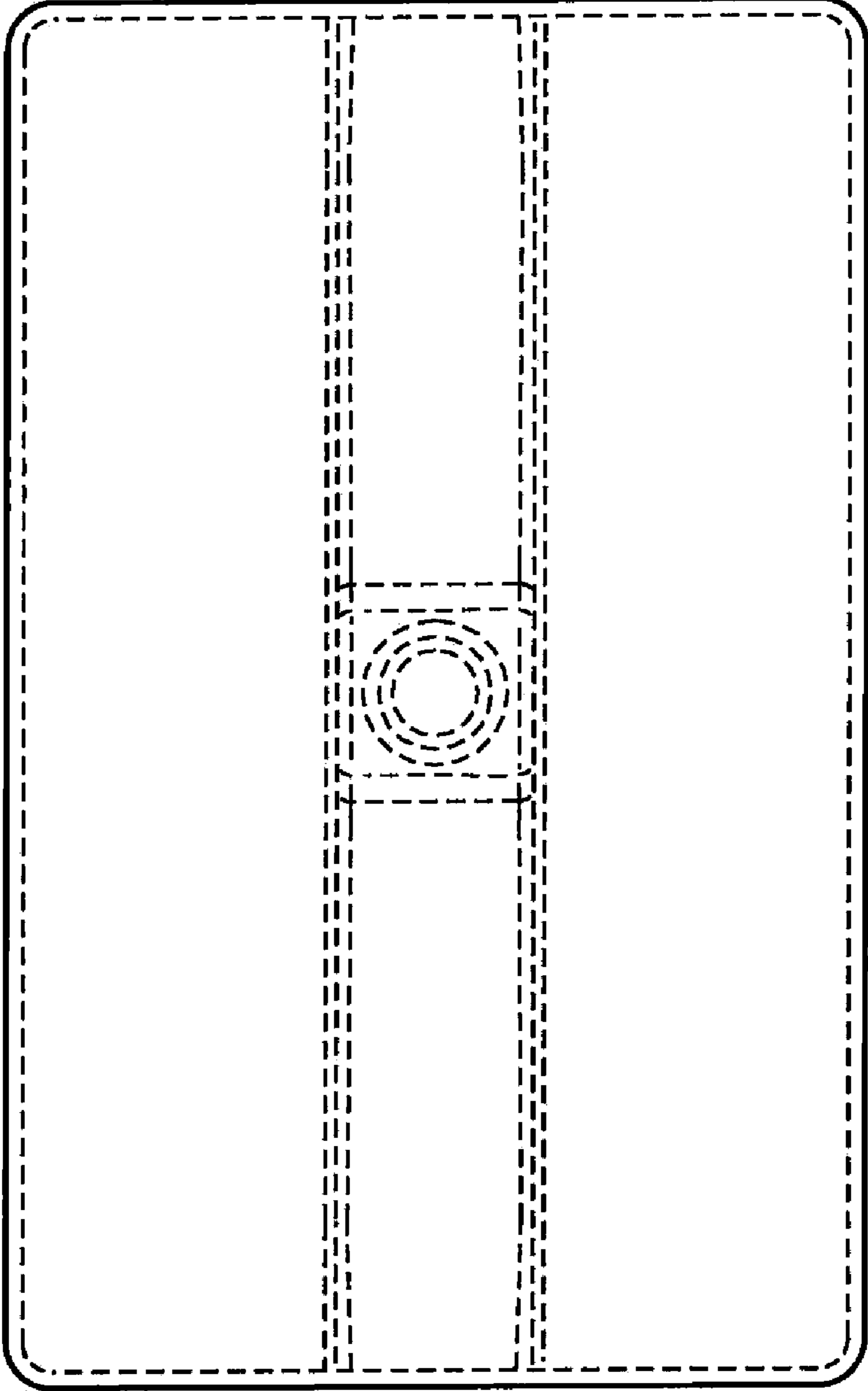


FIG. 5