



US00D624631S

(12) **United States Design Patent**
Cantrill et al.

(10) **Patent No.:** **US D624,631 S**

(45) **Date of Patent:** **** Sep. 28, 2010**

(54) **PUMP INLET FLOW STRAINER**

(75) Inventors: **Garth Norman Cantrill**, Seven Hills (AU); **Ana Milian**, Quakers Hill (AU)

(73) Assignee: **Weir Minerals Australia, Ltd.**, Artarmon, NSW

(**) Term: **14 Years**

(21) Appl. No.: **29/307,710**

(22) Filed: **May 6, 2008**

(30) **Foreign Application Priority Data**

Nov. 6, 2007 (AU) 20653/2007

(51) **LOC (9) Cl.** **23-01**

(52) **U.S. Cl.** **D23/261**

(58) **Field of Classification Search** D23/259-269;
D15/7; 417/410.1, 359, 415-416, 234, 321,
417/265, 405

See application file for complete search history.

(56) **References Cited**

U.S. PATENT DOCUMENTS

- D255,480 S * 6/1980 Zieg D23/209
- D273,383 S * 4/1984 Griggs, Jr. D15/7
- D443,281 S * 6/2001 Sodergard D15/7
- D583,391 S * 12/2008 Metcalfe D15/7
- D586,825 S * 2/2009 Cantrill et al. D15/7
- D586,826 S * 2/2009 Cantrill et al. D15/7

- D603,878 S * 11/2009 Chu D15/9
- D609,249 S * 2/2010 Foreman et al. D15/7
- D611,066 S * 3/2010 Foreman D15/7

* cited by examiner

Primary Examiner—T. Chase Nelson

Assistant Examiner—Eric L Goodman

(74) *Attorney, Agent, or Firm*—Morriss O'Bryant Compagni

(57) **CLAIM**

The ornamental design for the pump inlet flow strainer, as shown and described herein.

DESCRIPTION

FIG. 1 is a perspective view from the drive side of the pump inlet flow strainer design of the present invention;

FIG. 2 is a plan view of the pump inlet flow strainer article looking into the drive side opening in the pump inlet flow strainer;

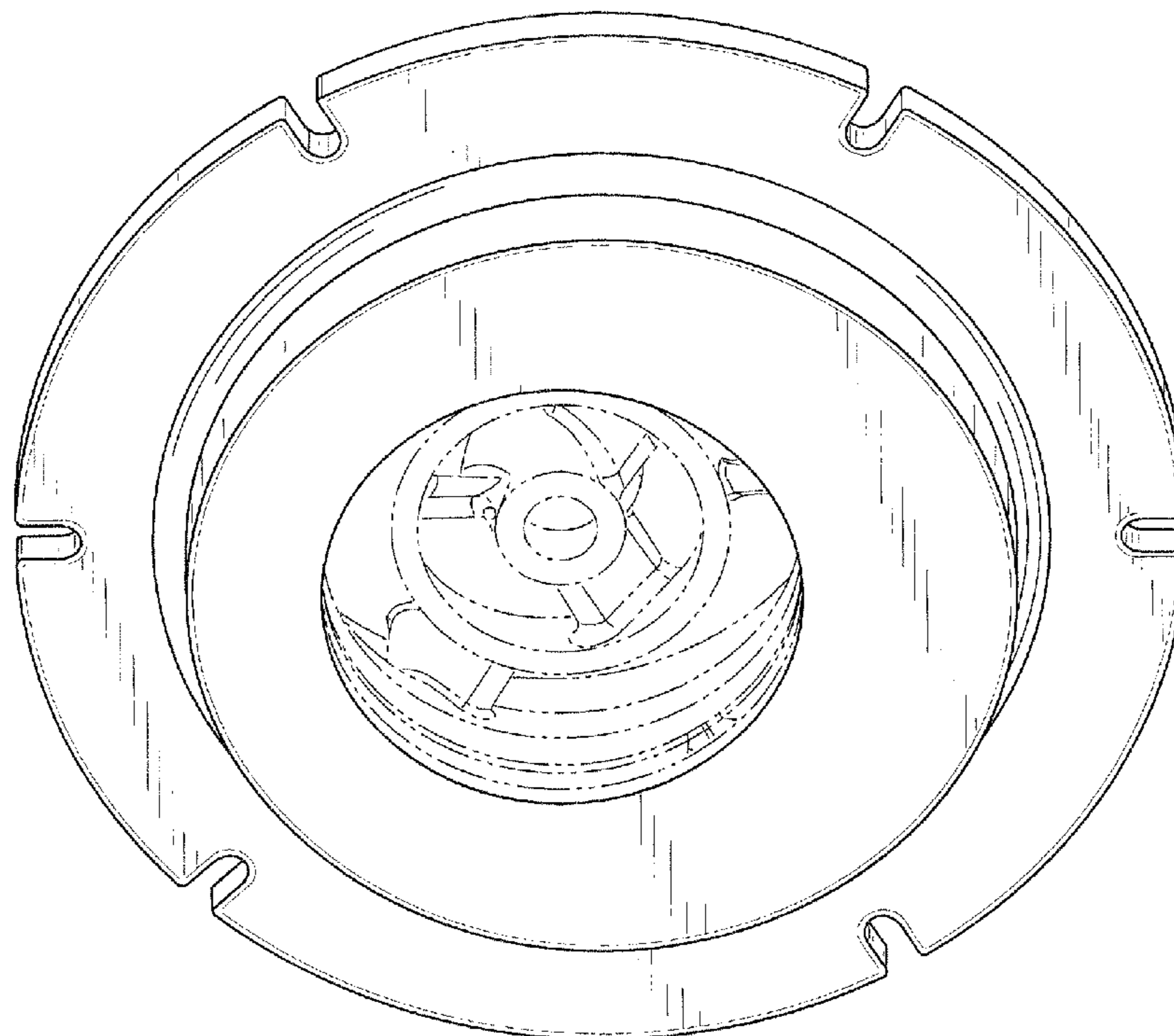
FIG. 3 is a view in elevation of the pump inlet flow strainer with the drive side of the pump inlet flow strainer being oriented upwardly;

FIG. 4 is a perspective view of the pump inlet flow strainer as seen from the suction side of the pump inlet flow strainer; and,

FIG. 5 is a plan view of the pump inlet flow strainer as viewed looking into the suction side of the pump inlet flow strainer.

The broken lines shown in FIGS. 1, 2, 4 and 5 form no part of the claimed design.

1 Claim, 5 Drawing Sheets



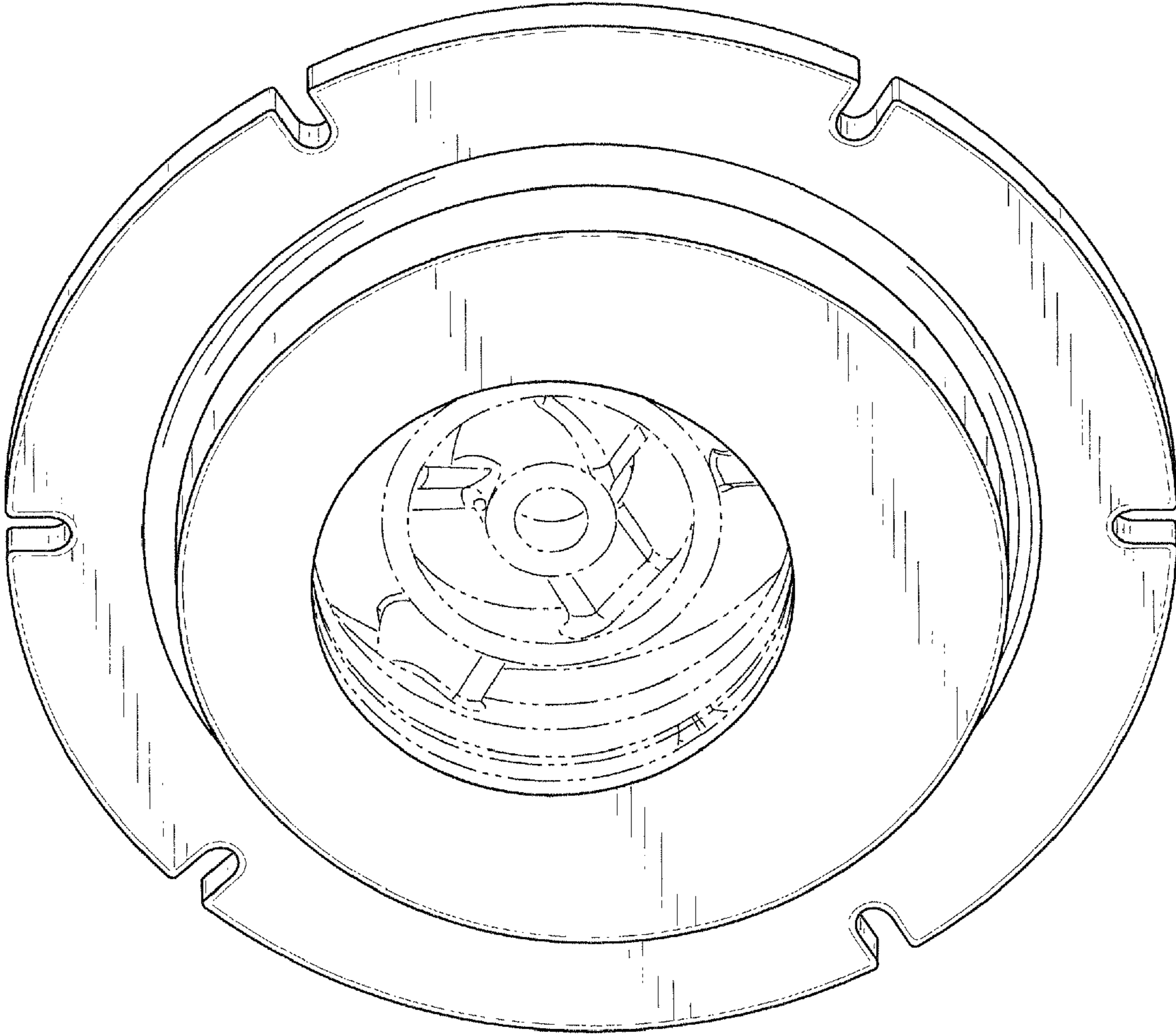


FIG. 1

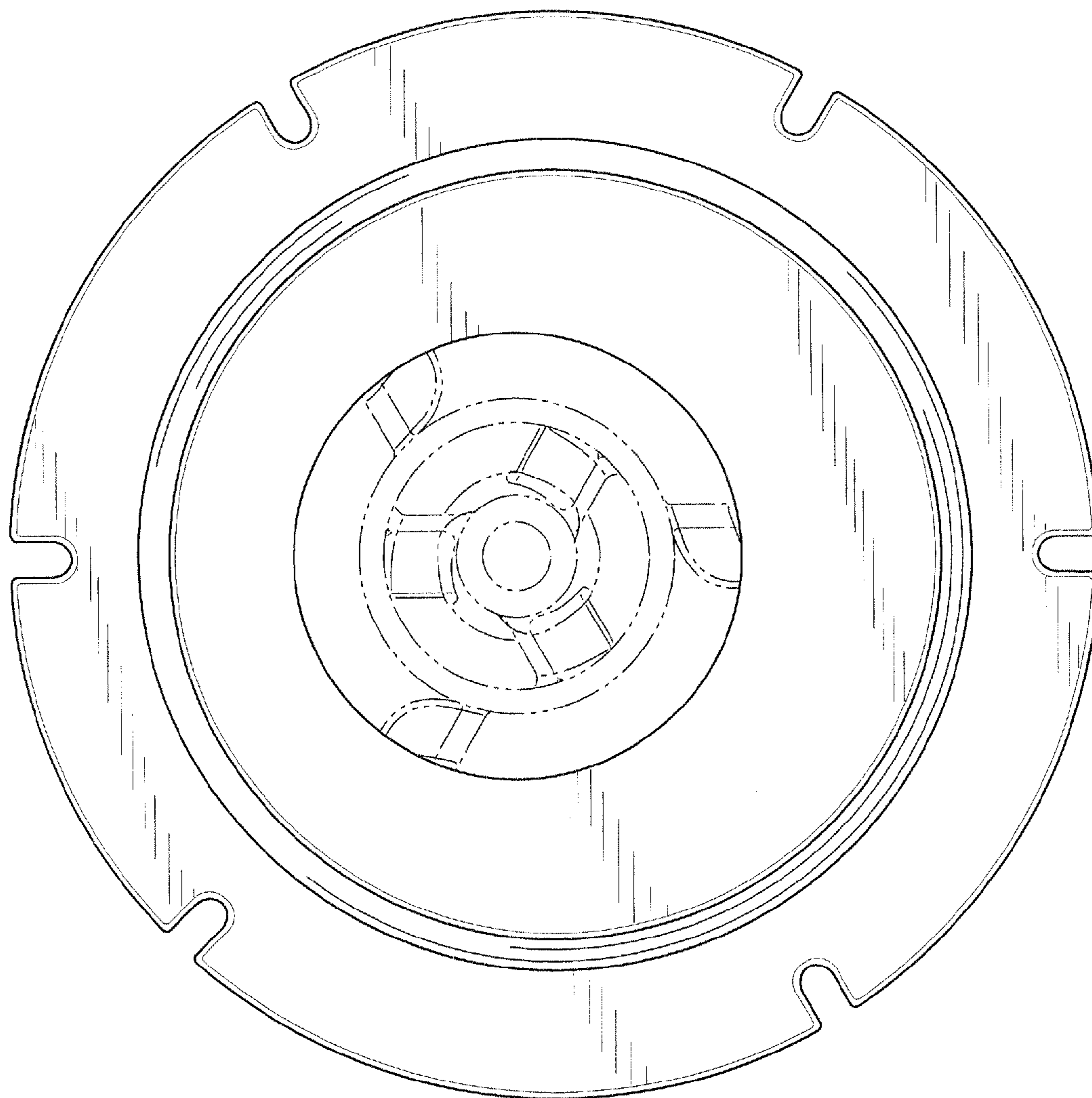


FIG. 2

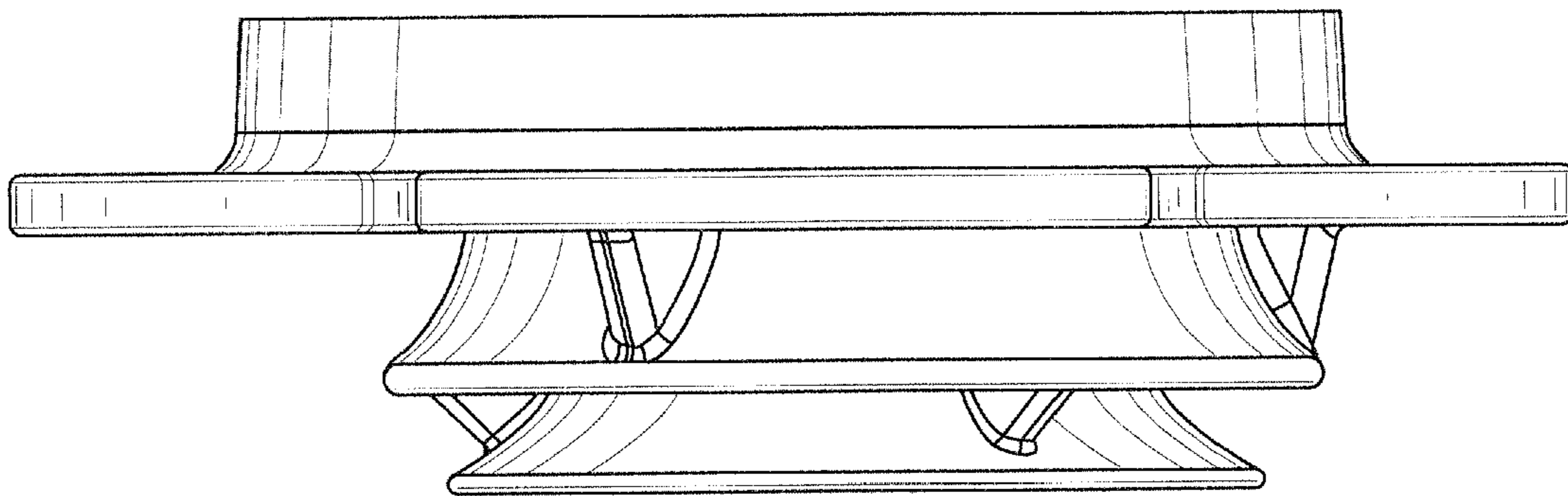


FIG. 3

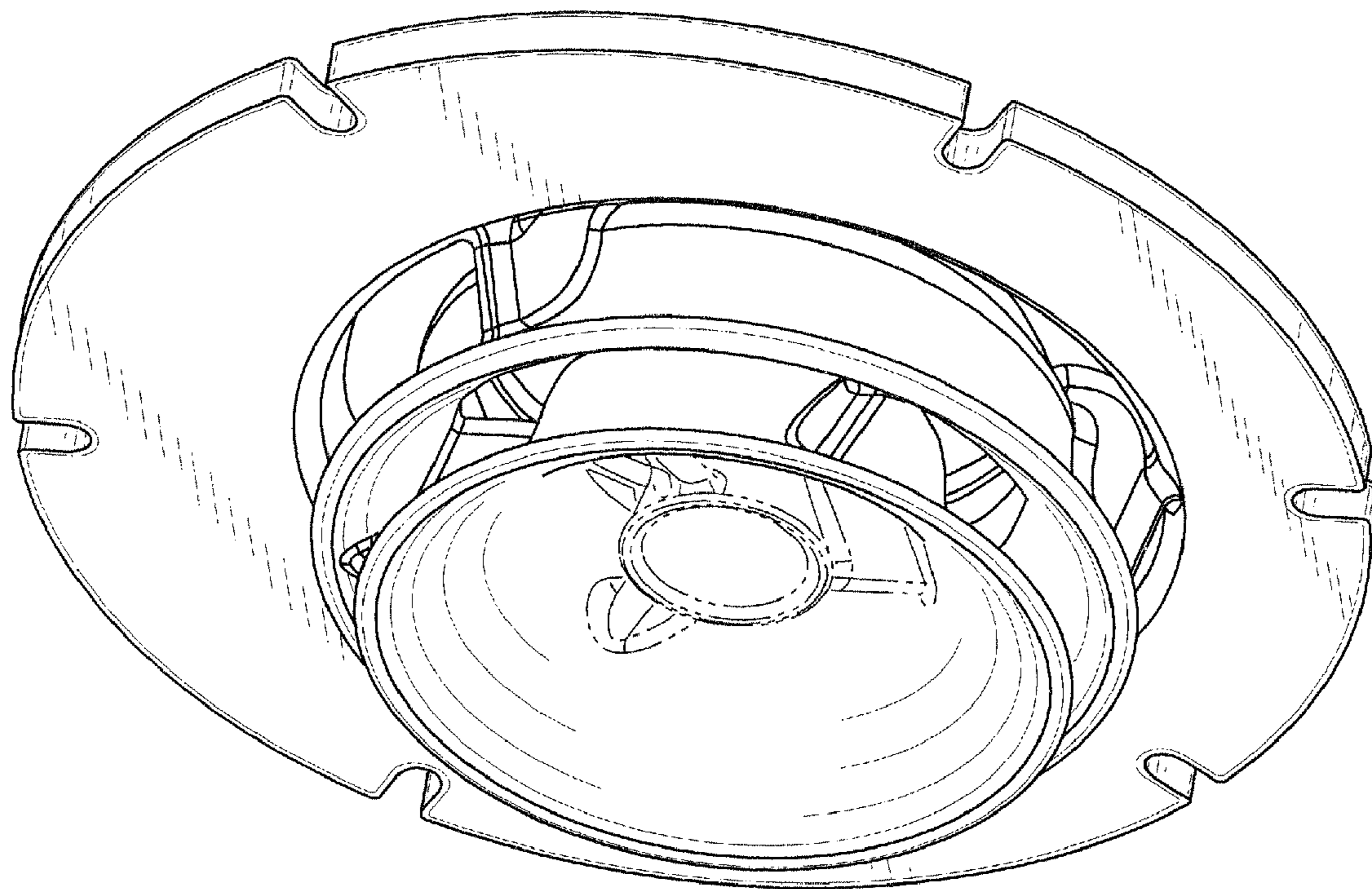


FIG. 4

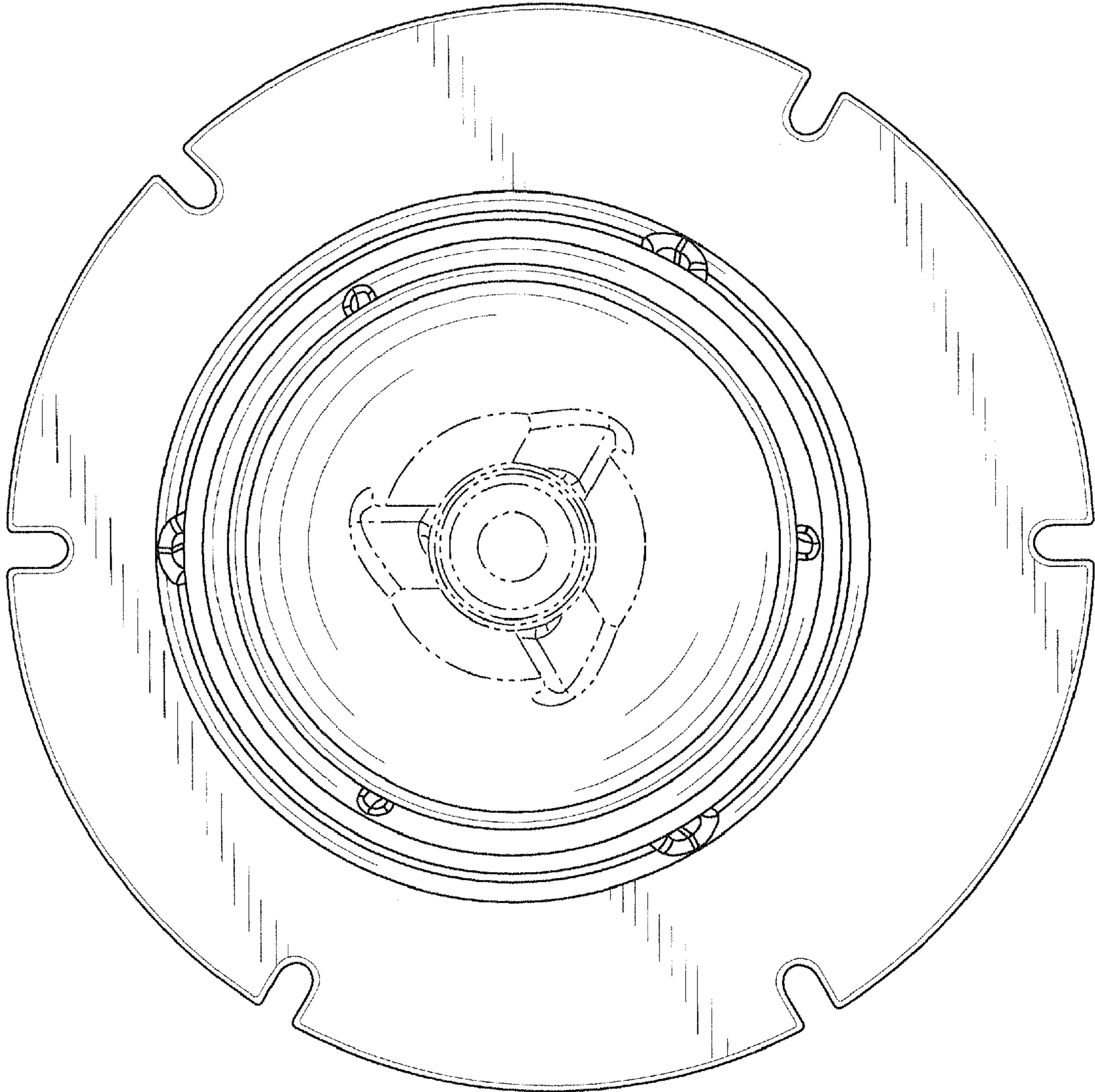


FIG. 5