



US00D624630S

(12) **United States Design Patent**
Matsuura et al.

(10) **Patent No.:** **US D624,630 S**
(45) **Date of Patent:** **** Sep. 28, 2010**

(54) **SPOUT WITH SENSOR**

(75) Inventors: **Touichirou Matsuura**, Aichi (JP);
Nobuaki Itazu, Aichi (JP)

(73) Assignee: **Inax Corporation**, Aichi (JP)

(**) Term: **14 Years**

(21) Appl. No.: **29/356,120**

(22) Filed: **Feb. 19, 2010**

(51) **LOC (9) Cl.** **23-02**

(52) **U.S. Cl.** **D23/255**

(58) **Field of Classification Search** D23/238–243,
D23/255–257; 4/676–678; 137/801
See application file for complete search history.

(56) **References Cited**

U.S. PATENT DOCUMENTS

- D278,271 S * 4/1985 Niemann D23/255
- D356,631 S * 3/1995 Kolada D23/255
- D536,425 S * 2/2007 VanMarcke D23/255
- D606,631 S * 12/2009 Jones et al. D23/255
- 7,690,623 B2 * 4/2010 Parsons et al. 251/129.04

FOREIGN PATENT DOCUMENTS

EM 000671029-0009 3/2008

* cited by examiner

Primary Examiner—Robert A Delehanty

(74) *Attorney, Agent, or Firm*—Hamre, Schumann, Mueller & Larson, P.C.

(57) **CLAIM**

The ornamental design for a spout with sensor, as shown and described.

DESCRIPTION

FIG. 1 is a perspective view of the top, front and right side of a spout with sensor showing our new design;

FIG. 2 is a front view thereof;

FIG. 3 is a rear view thereof;

FIG. 4 is a top plan view thereof;

FIG. 5 is a bottom view thereof;

FIG. 6 is a right side view, a left side view being a mirror image thereof; and,

FIG. 7 is an ended view at 7—7 in FIG. 6 thereof.

The broken lines represent the portions of the design that form no part of the claimed design.

1 Claim, 4 Drawing Sheets

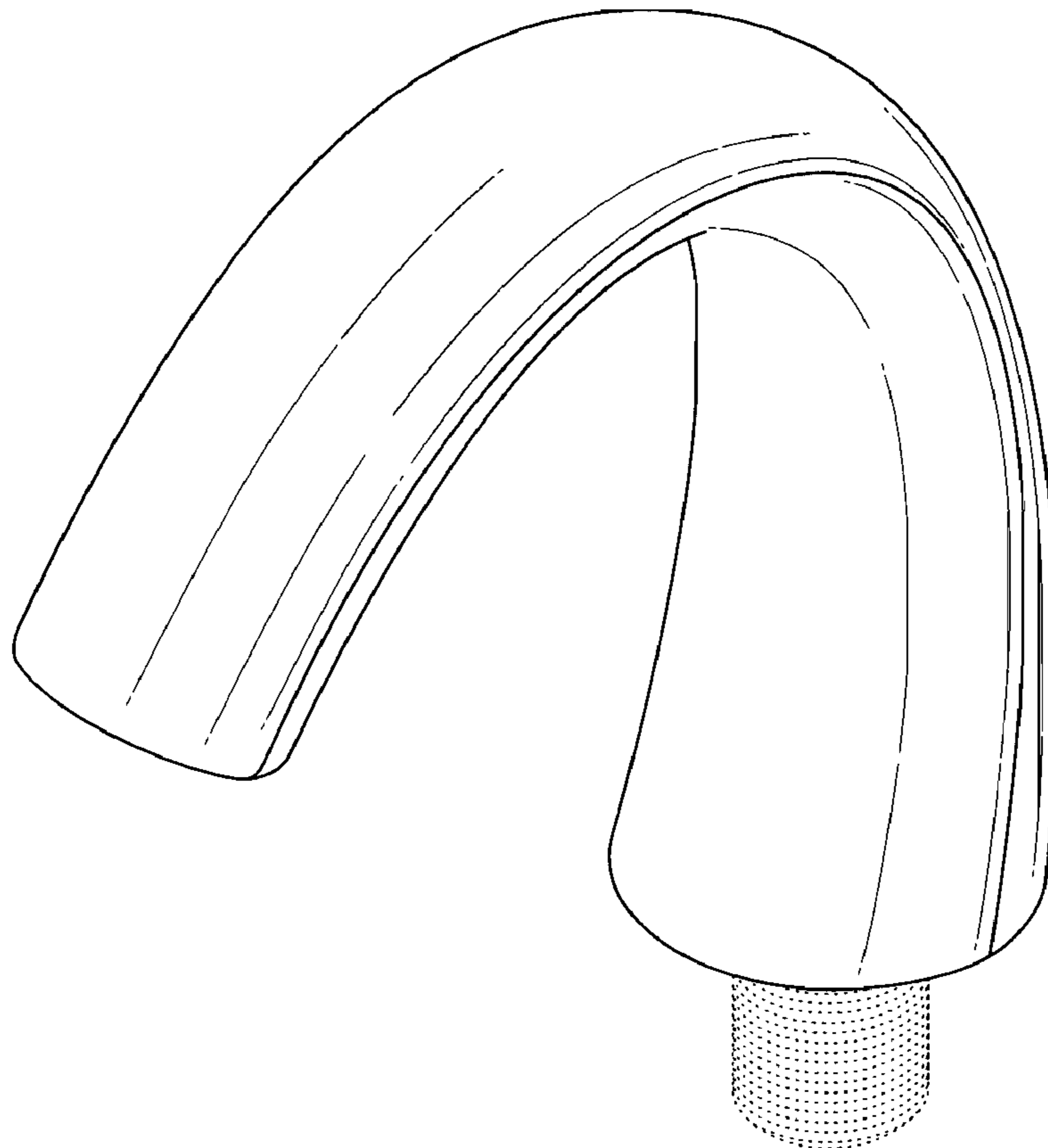


FIG. 1

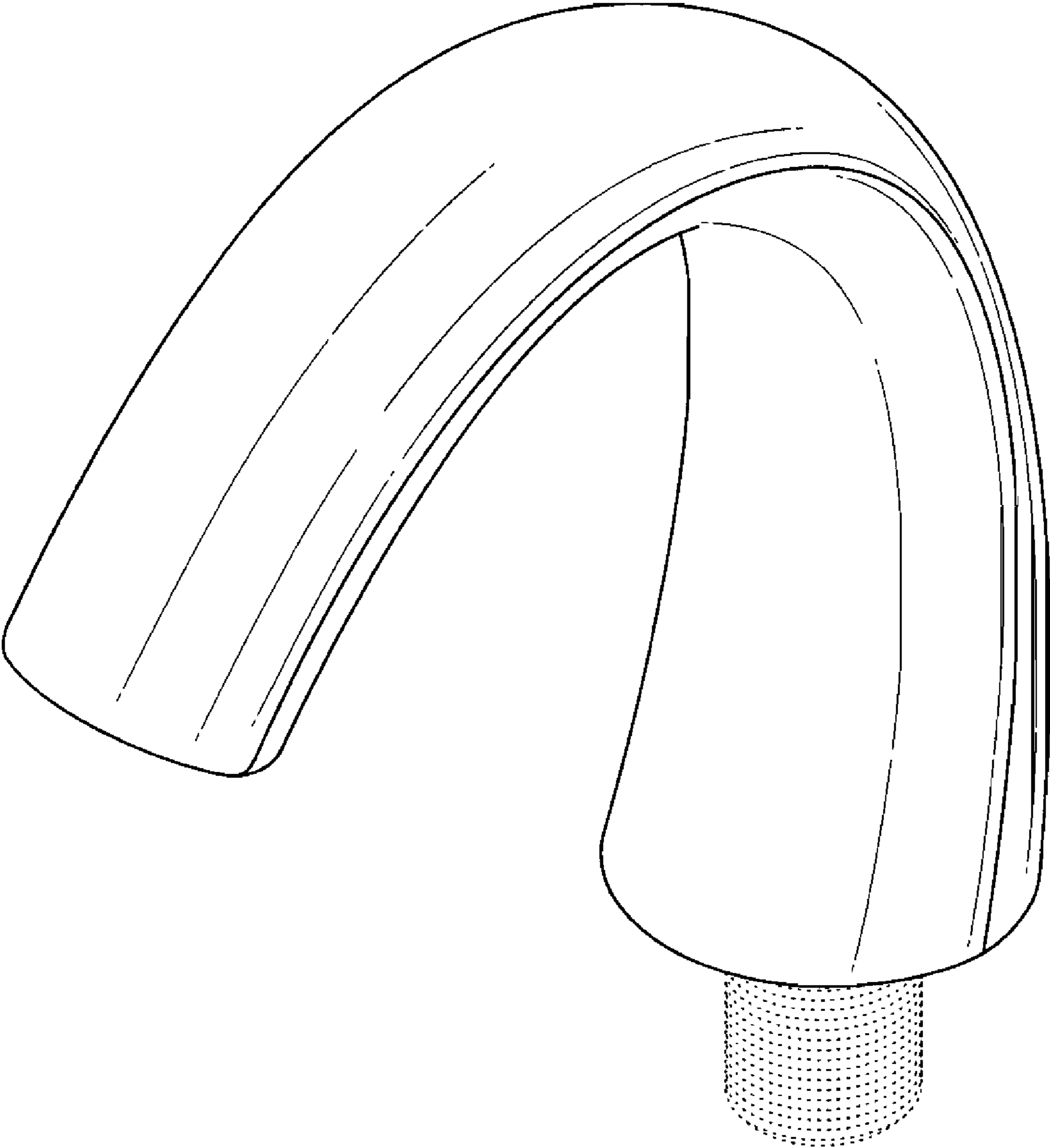


FIG.2

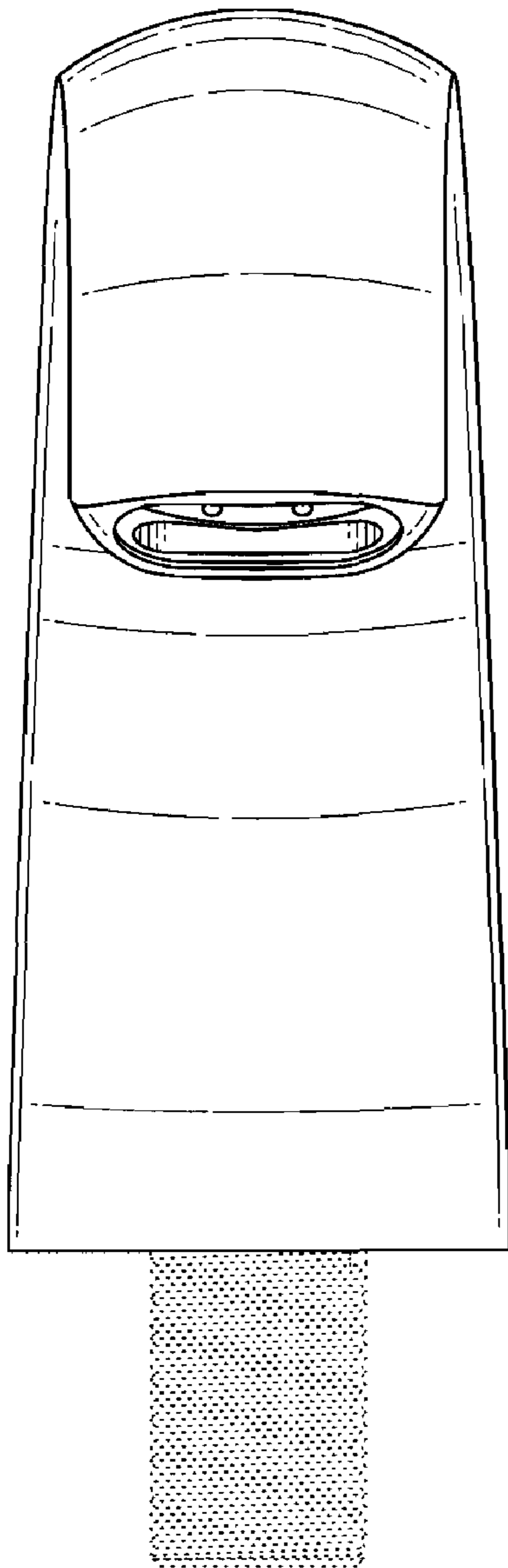


FIG.3

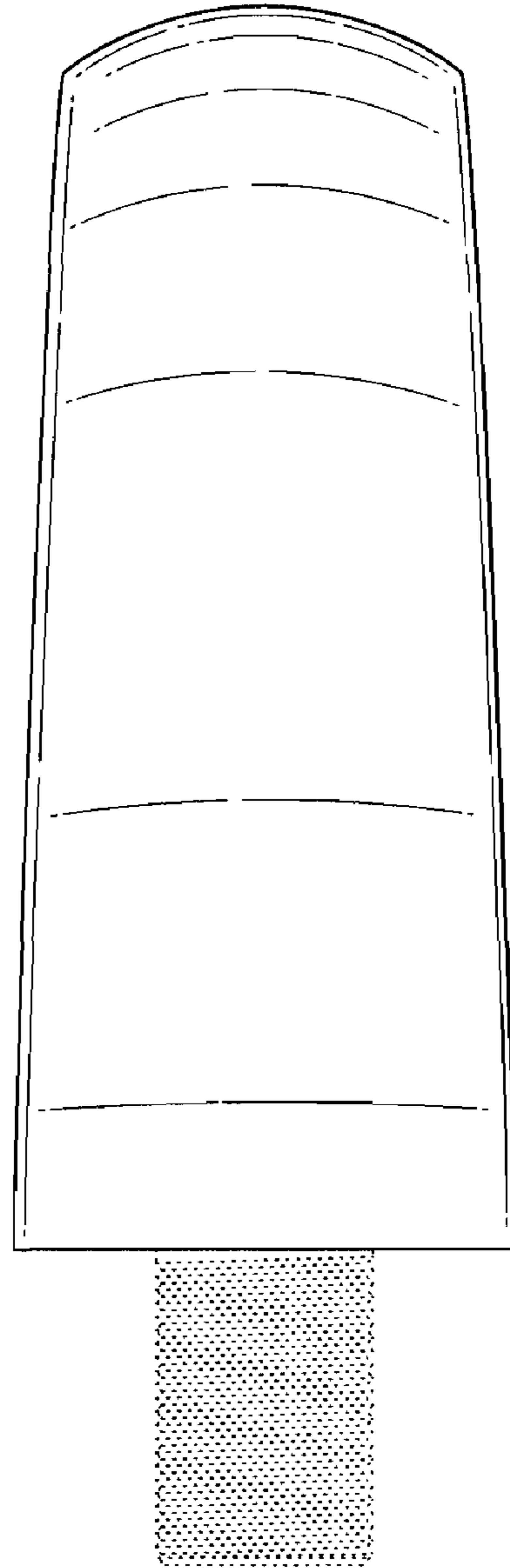


FIG.4

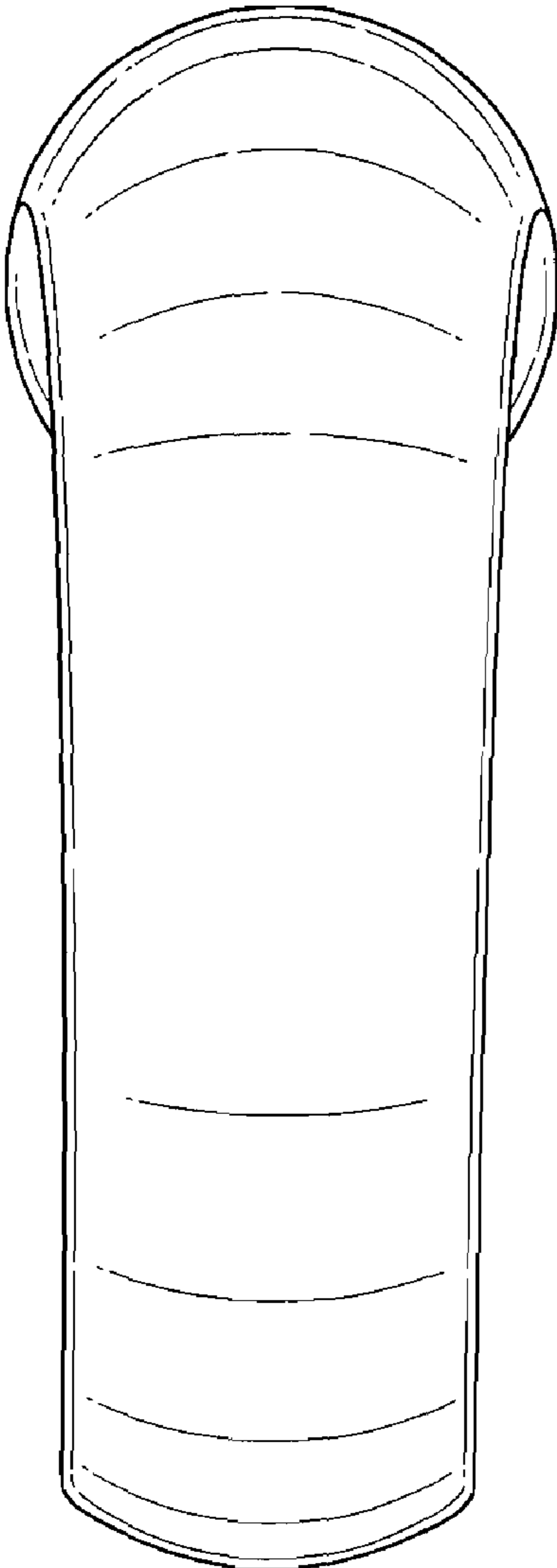


FIG.5

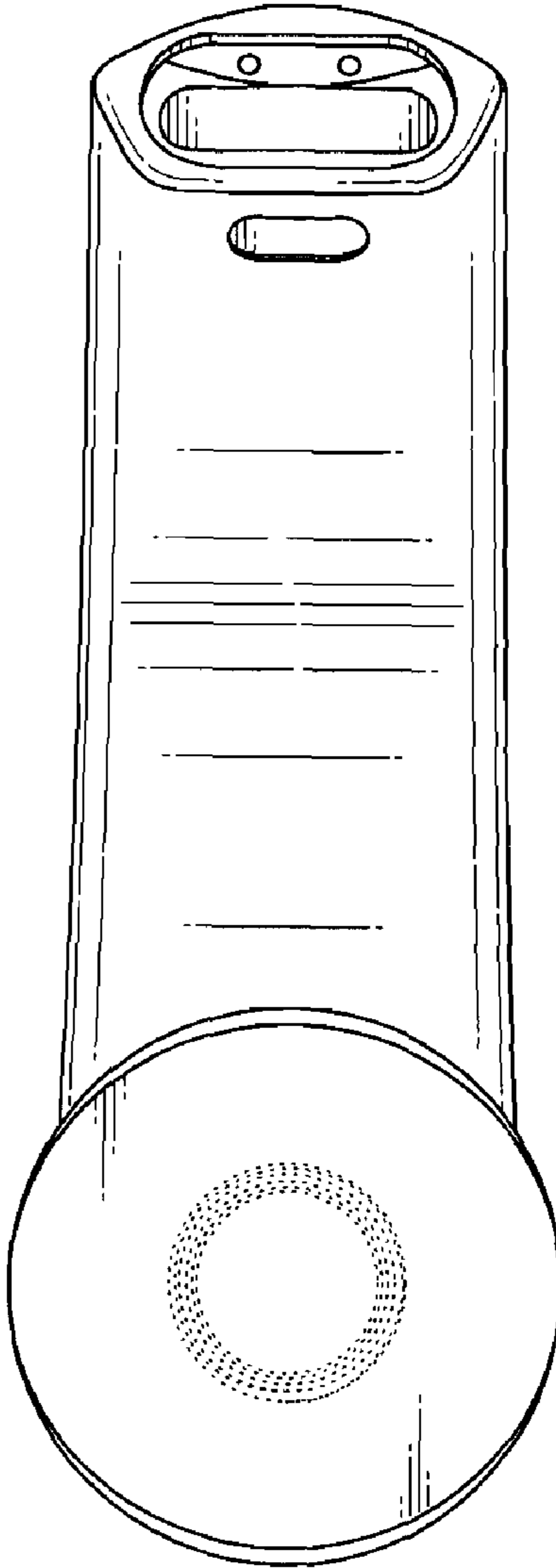


FIG.6

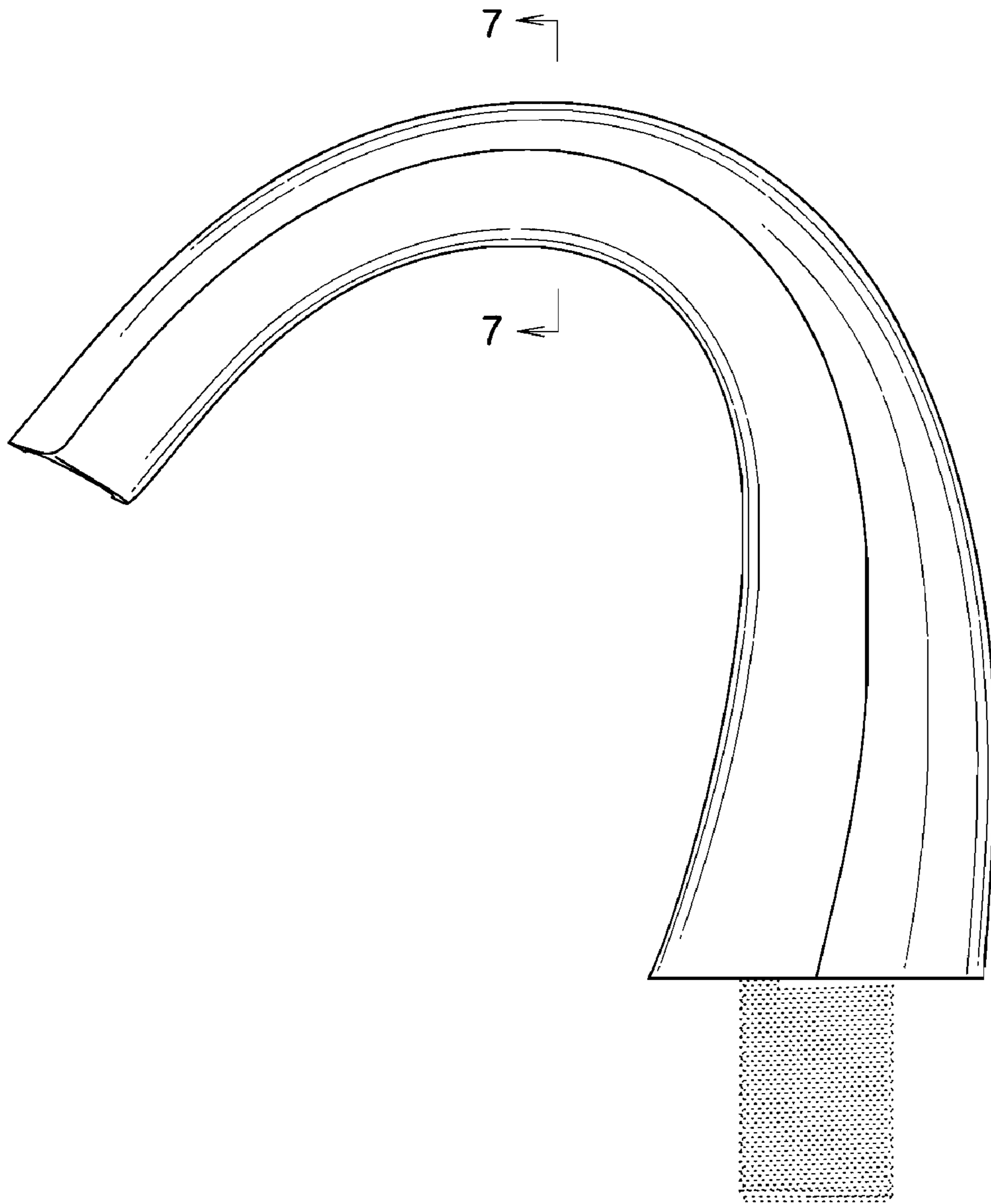


FIG.7

