



US00D624628S

(12) **United States Design Patent**
Haynes

(10) **Patent No.:** **US D624,628 S**

(45) **Date of Patent:** **** Sep. 28, 2010**

(54) **VALVE**

D607,087 S * 12/2009 Bobby et al. D23/233
D616,068 S * 5/2010 Collins D23/233

(75) **Inventor:** **Arden Christopher Haynes**, Knoxville,
TN (US)

(73) **Assignee:** **Unified Marine, Inc.**, Newport, TN (US)

(**) **Term:** **14 Years**

(21) **Appl. No.:** **29/335,278**

(22) **Filed:** **Apr. 13, 2009**

(51) **LOC (9) Cl.** **23-01**

(52) **U.S. Cl.** **D23/233**

(58) **Field of Classification Search** D23/233–237,
D23/244–249, 259, 272; 251/143, 148, 152,
251/309, 310, 315.01, 315.1, 315.14, 315.16;
137/240, 412, 533, 801, 11

See application file for complete search history.

(56) **References Cited**

U.S. PATENT DOCUMENTS

3,640,310	A	2/1972	Erlich	
3,857,410	A	12/1974	Bedo et al.	
D399,922	S *	10/1998	Uehara	D23/235
D430,272	S *	8/2000	Hung-Lin	D23/245
6,296,008	B1	10/2001	Boyer et al.	
D526,386	S *	8/2006	Lai	D23/233
D603,937	S *	11/2009	Tejamo	D23/233

OTHER PUBLICATIONS

Moeller Marine Products, ¼ FNPT Brass Three-Way Valve, http://www.moellermarine.com/aftermarket/fuel_systems/valves/, at least as early as Feb. 12, 2008.

* cited by examiner

Primary Examiner—Cathron C. Brooks

Assistant Examiner—Maurice Stevens

(74) *Attorney, Agent, or Firm*—Jacox, Meckstroth & Jenkins

(57) **CLAIM**

The ornamental design for a valve, as shown and described.

DESCRIPTION

FIG. 1 is a perspective view of the valve;

FIG. 2 is another perspective view of the valve;

FIG. 3 is a front view of the valve shown in FIG. 1;

FIG. 4 is a back view of the valve shown in FIG. 1;

FIG. 5 is a top view of the valve shown in FIG. 1;

FIG. 6 is a right side view of the valve shown in FIG. 1;

FIG. 7 is a left side view of the valve shown in FIG. 1; and,

FIG. 8 is a bottom view of the valve shown in FIG. 1.

1 Claim, 2 Drawing Sheets

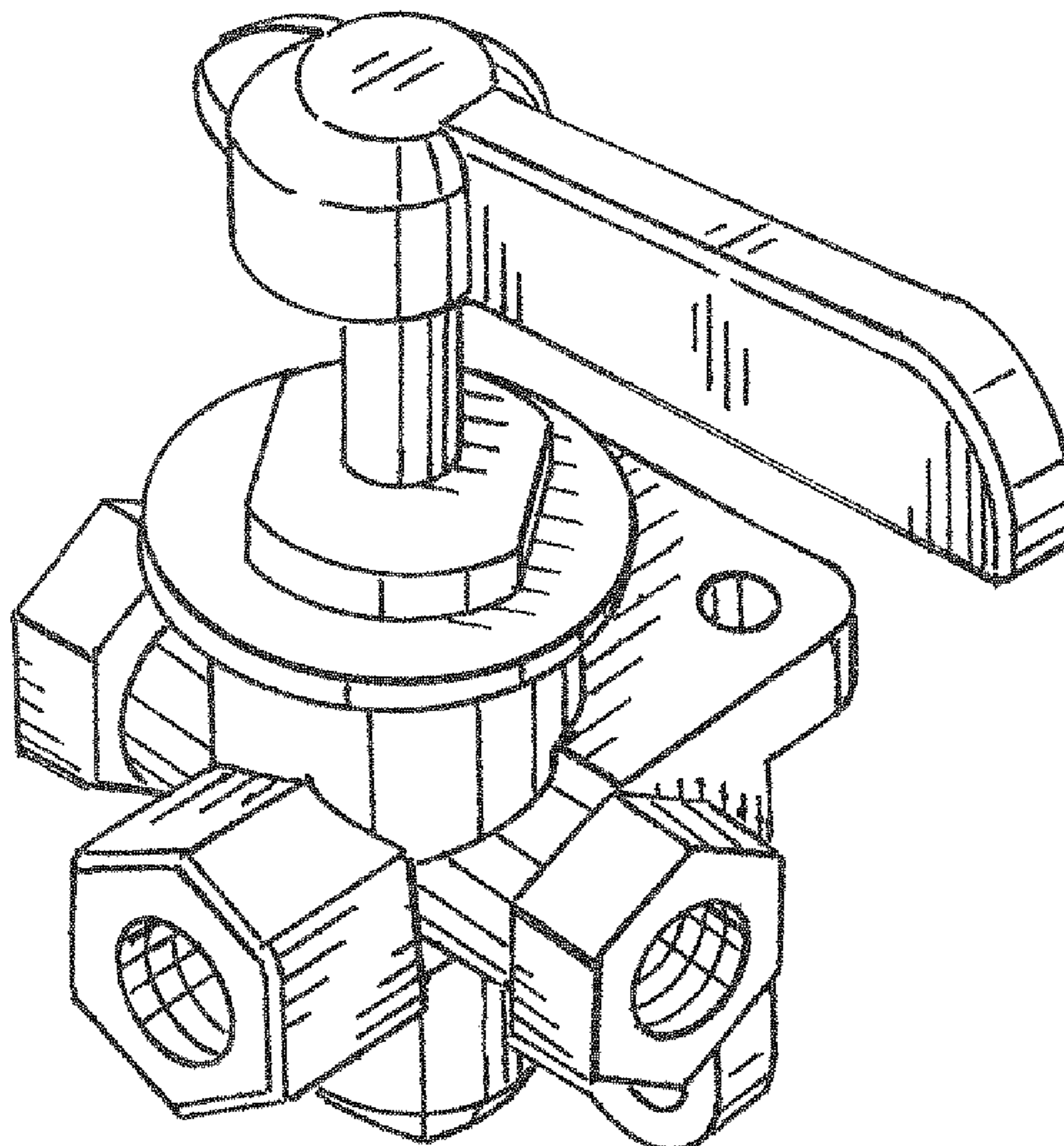


FIG-1

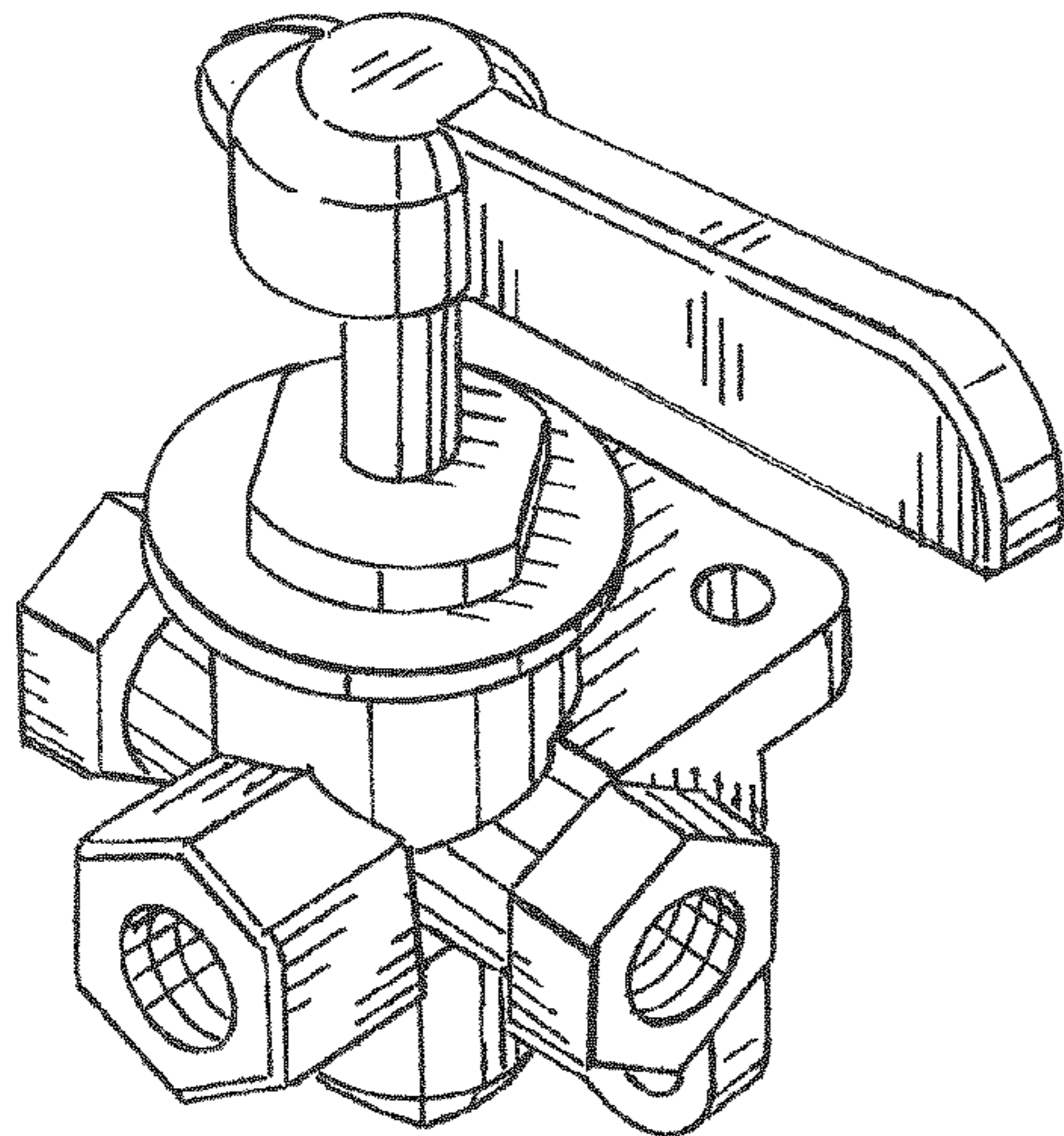


FIG-2

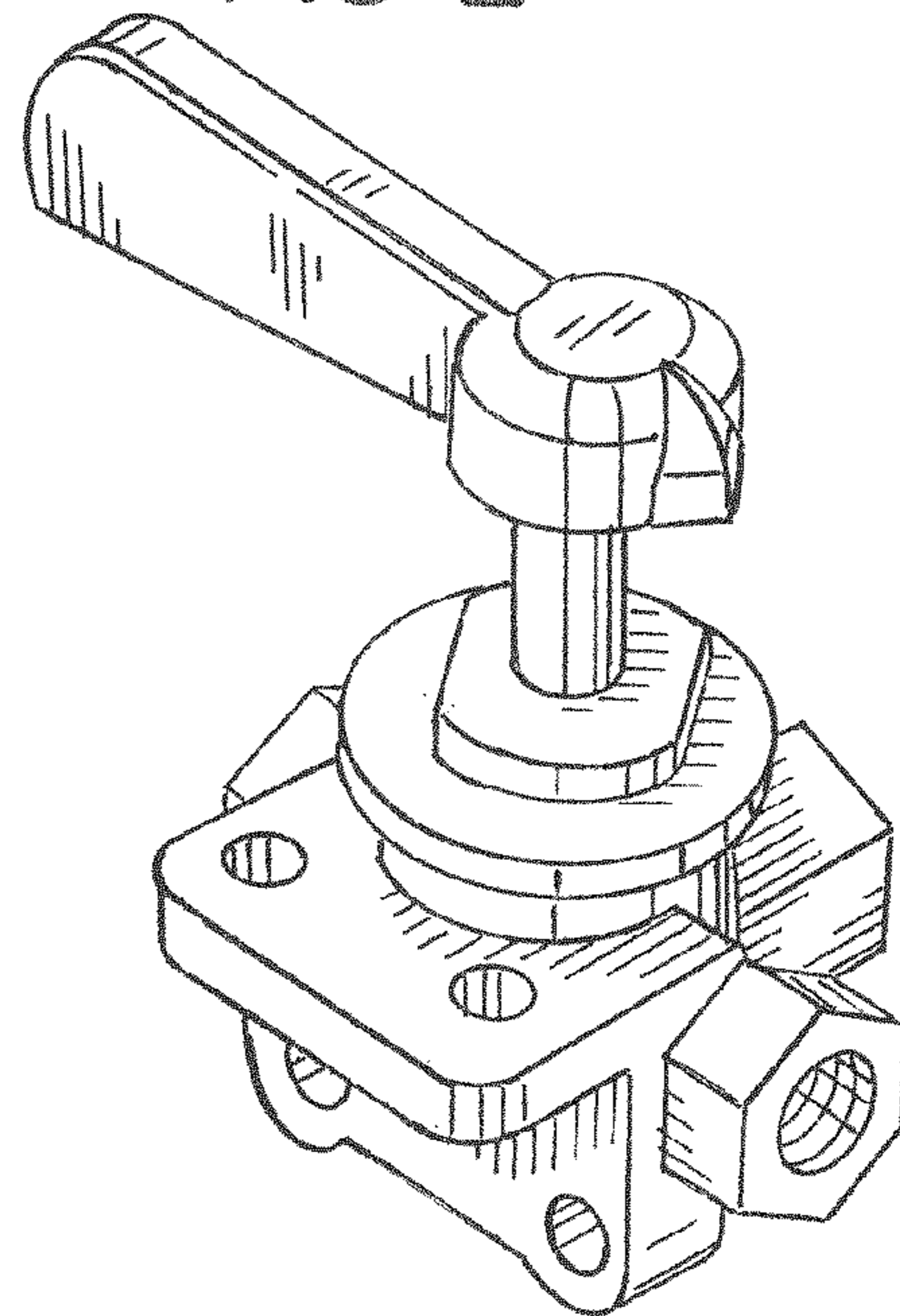


FIG-3

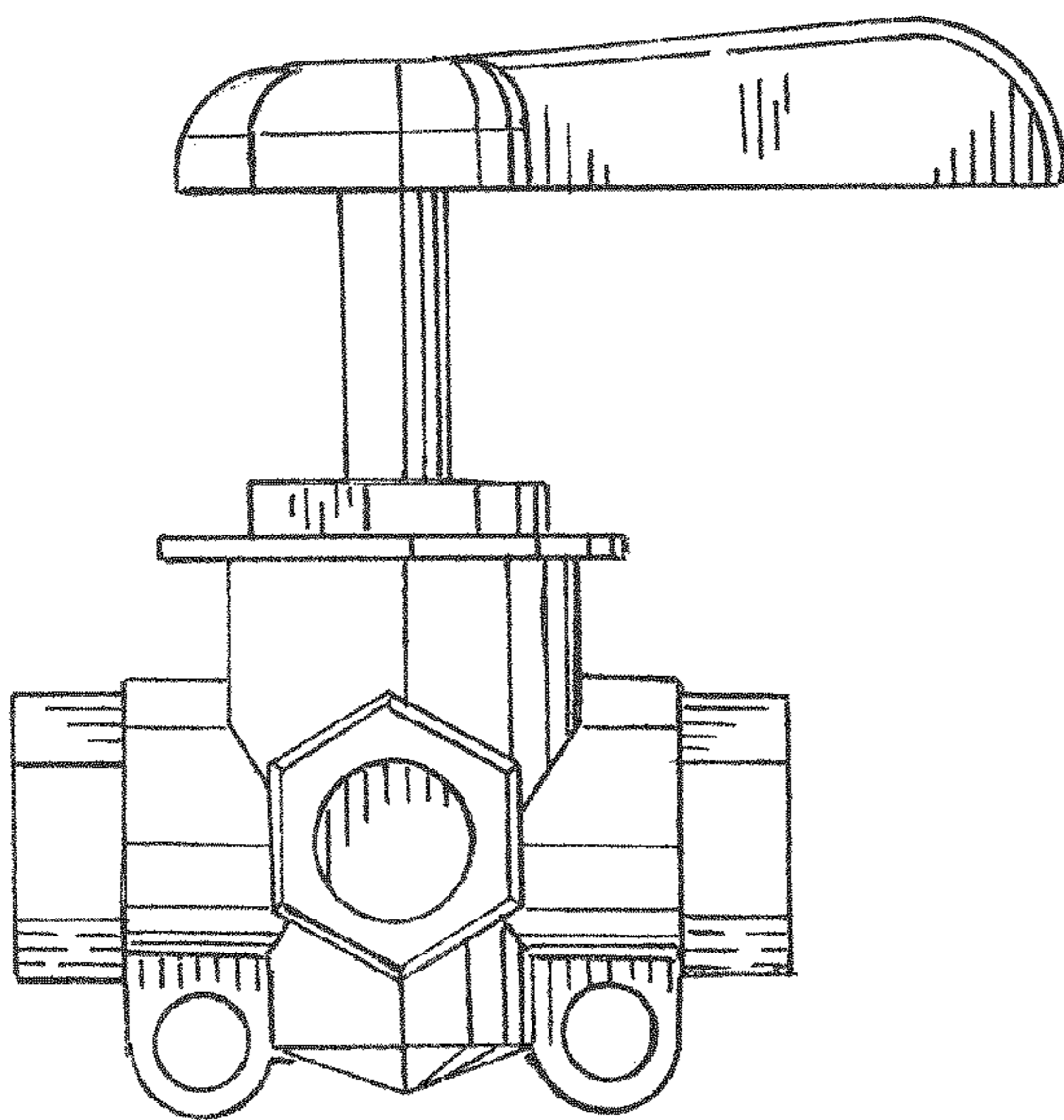


FIG-4

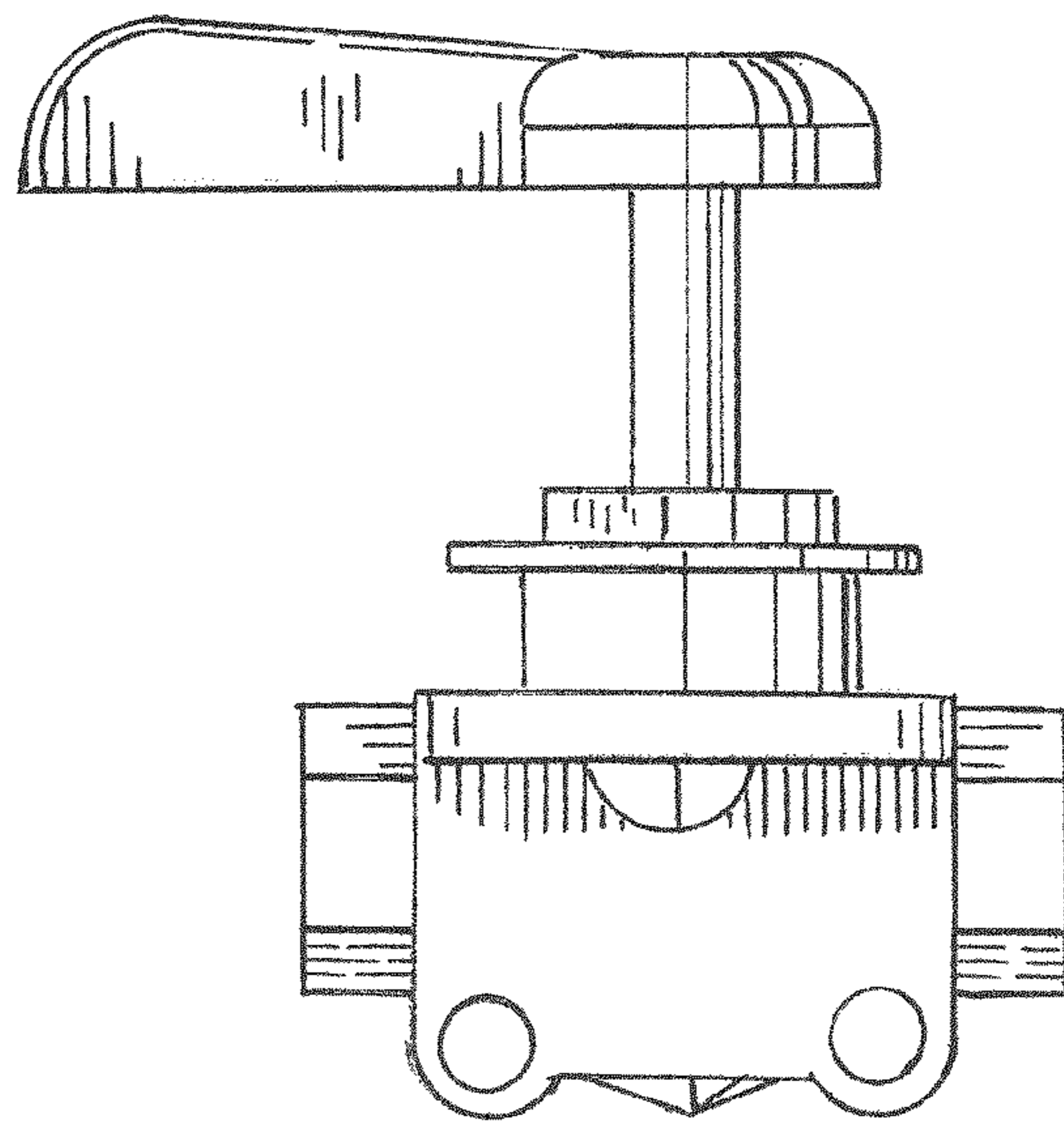


FIG-5

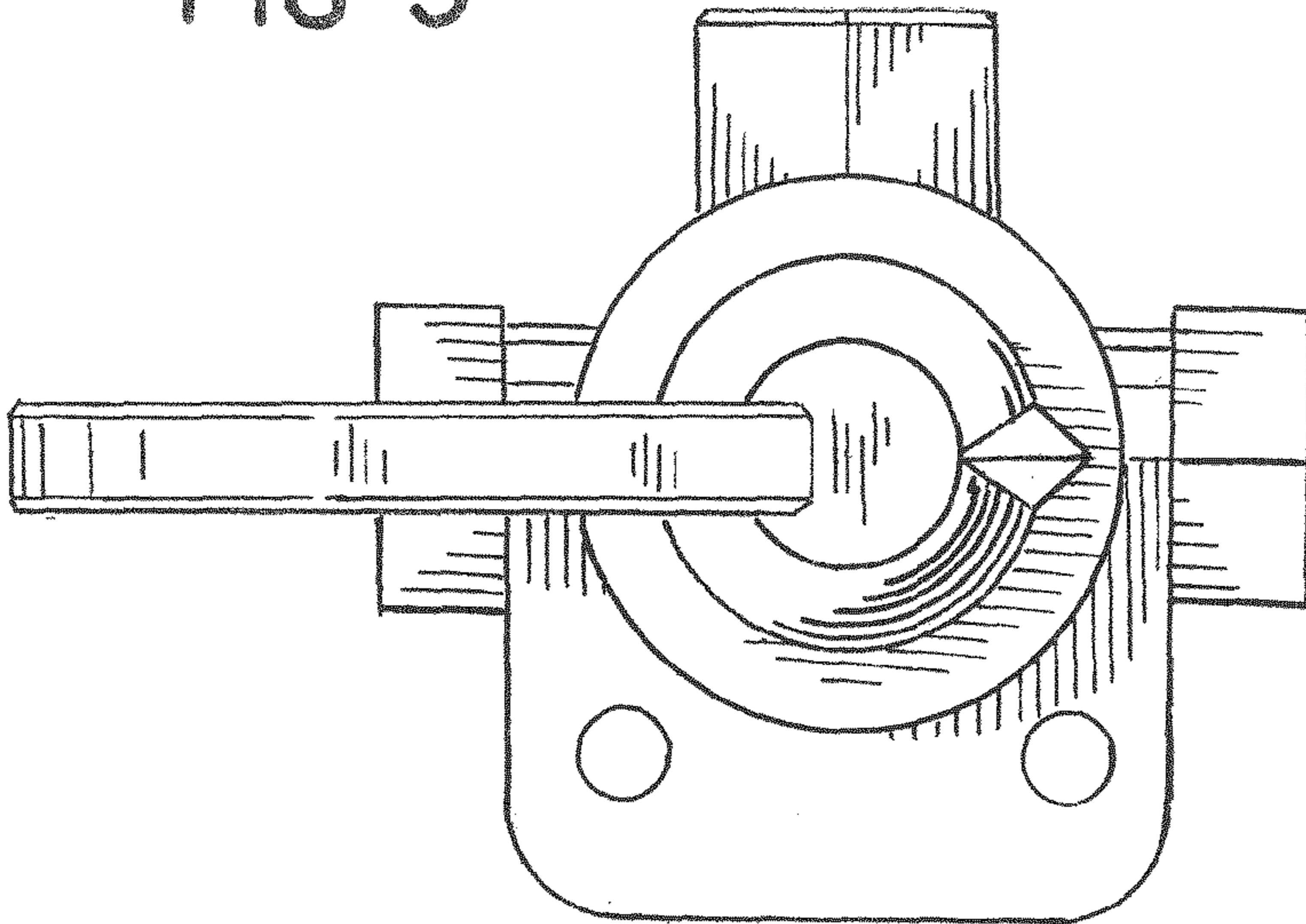


FIG-6

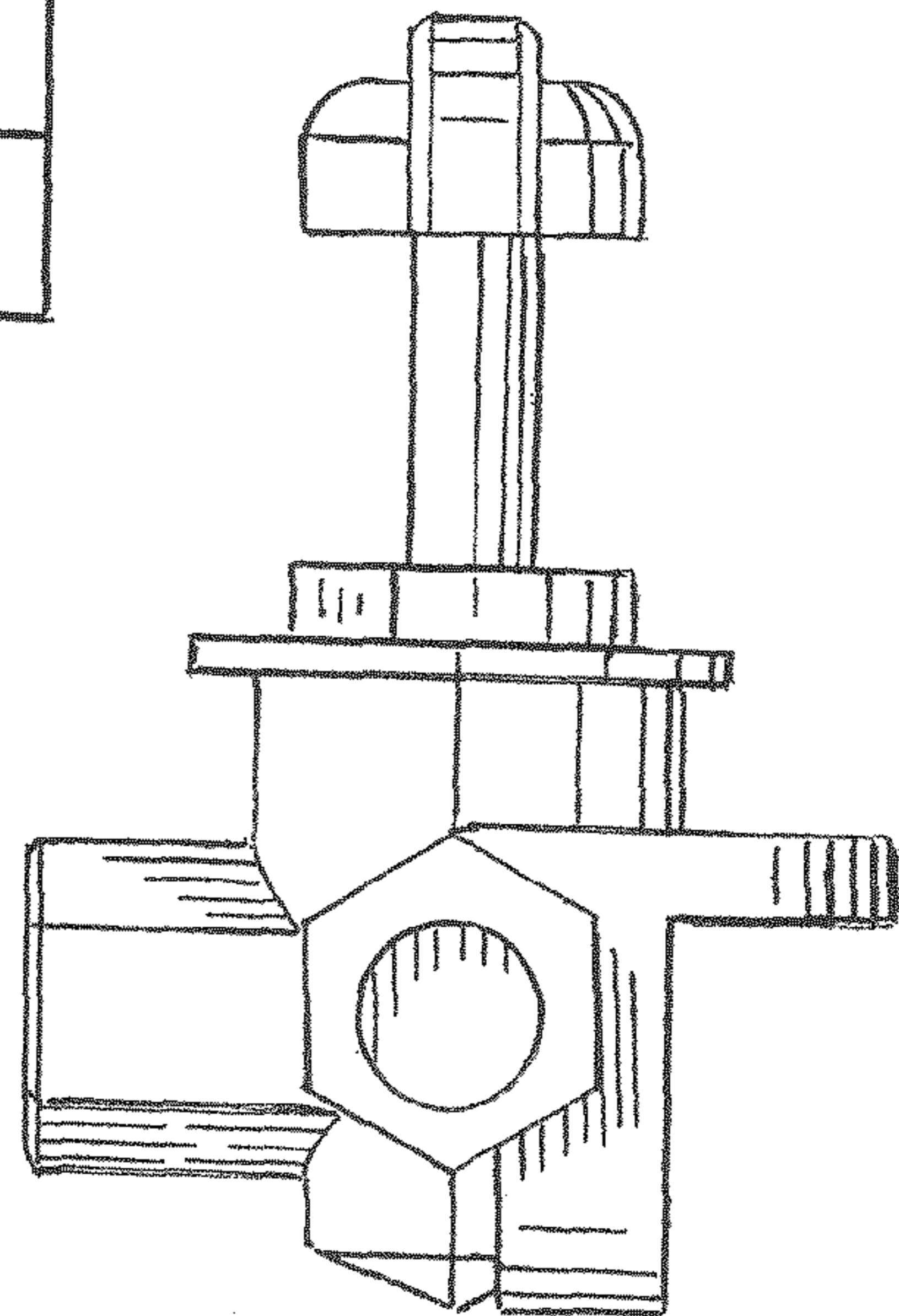


FIG-7

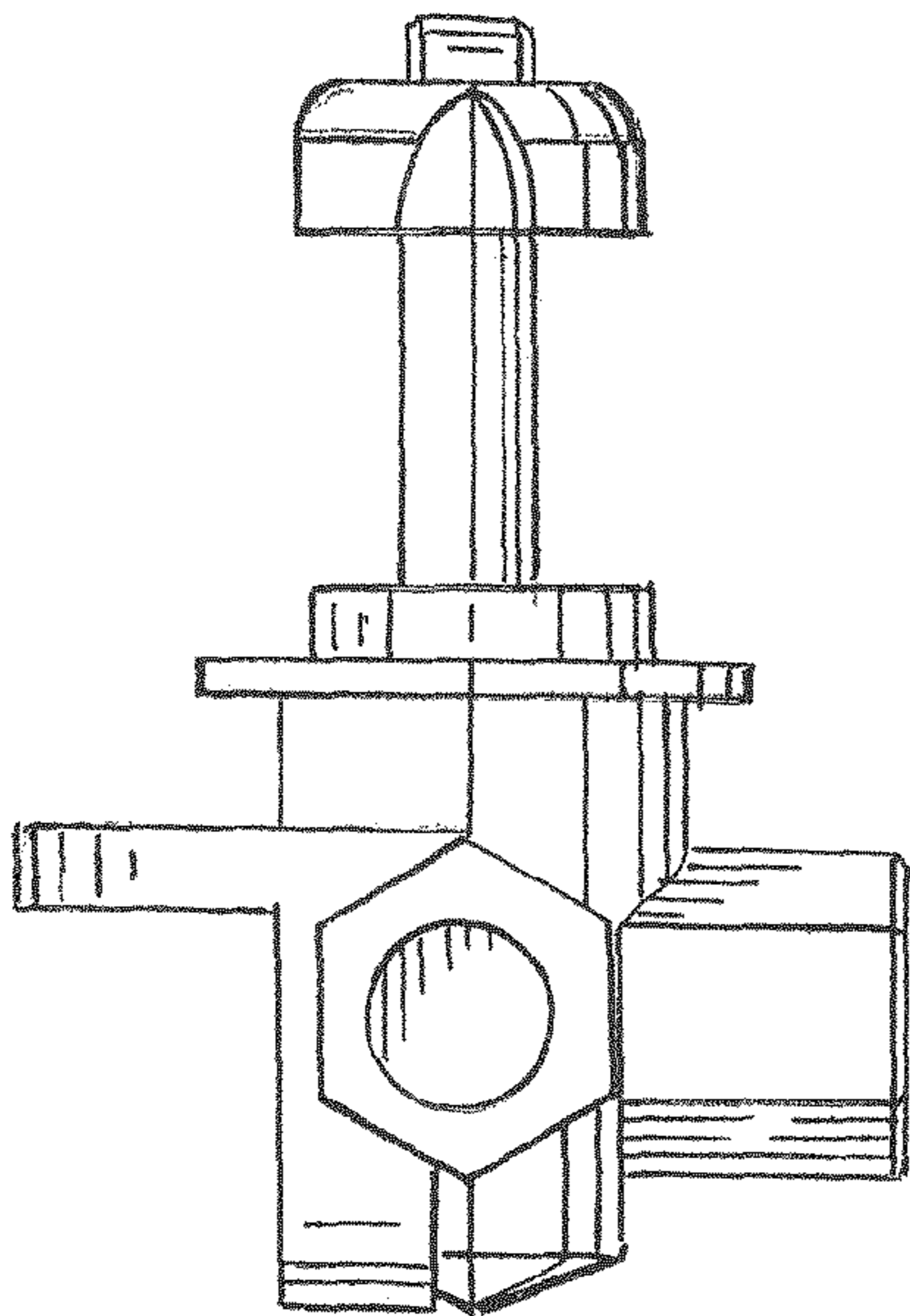


FIG-8

