



US00D624626S

(12) **United States Design Patent**
Noma

(10) **Patent No.:** **US D624,626 S**
(45) **Date of Patent:** **** Sep. 28, 2010**

(54) **FISHING REEL PORTION**

(75) Inventor: **Natsuki Noma**, Osaka (JP)

(73) Assignee: **Shimano Inc.**, Osaka (JP)

(**) Term: **14 Years**

(21) Appl. No.: **29/353,356**

(22) Filed: **Jan. 7, 2010**

(30) **Foreign Application Priority Data**

Aug. 5, 2009 (JP) 2009-017973

(51) **LOC (9) Cl.** **22-05**

(52) **U.S. Cl.** **D22/141**

(58) **Field of Classification Search** D22/141,
D22/140, 137-139; 242/223, 310, 314, 370;
43/19-21

See application file for complete search history.

(56) **References Cited**

U.S. PATENT DOCUMENTS

D401,996 S	12/1998	Asano et al.	
D414,237 S *	9/1999	Kang et al. D22/141
D507,622 S	7/2005	Iwabuchi	
D528,626 S	9/2006	Iwabuchi et al.	
D539,378 S	3/2007	Kondo et al.	
D579,513 S	10/2008	Iwabuchi	
D589,586 S	3/2009	Noma	
D595,386 S *	6/2009	Nago D22/141

FOREIGN PATENT DOCUMENTS

JP D1078382 7/2000

* cited by examiner

Primary Examiner—Catherine R Oliver

(74) *Attorney, Agent, or Firm*—Global IP Counselors, LLP

(57) **CLAIM**

The ornamental design for fishing reel portion, as shown and described.

DESCRIPTION

FIG. 1 is a first perspective view of a fishing reel with a fishing reel portion in accordance with my new design;

FIG. 2 is a second perspective view of the fishing reel with the fishing reel portion illustrated in FIG. 1;

FIG. 3 is a third perspective view of the fishing reel with the fishing reel portion illustrated in FIG. 1;

FIG. 4 is a first side elevational view of the fishing reel with the fishing reel portion illustrated in FIG. 1;

FIG. 5 is a second side elevational view of the fishing reel portion illustrated in FIG. 1;

FIG. 6 is a top plan view of the fishing reel with the fishing reel portion illustrated in FIG. 1;

FIG. 7 is a bottom plan view of the fishing reel with the fishing reel portion illustrated in FIG. 1;

FIG. 8 is a first end elevational view of the fishing reel with the fishing reel portion illustrated in FIG. 1;

FIG. 9 is a second end elevational view of the fishing reel with the fishing reel portion illustrated in FIG. 1;

FIG. 10 is an enlarged perspective view of the fishing reel portion illustrated in FIG. 1;

FIG. 11 is an enlarged perspective view of the fishing reel portion illustrated in FIG. 2;

FIG. 12 is an enlarged perspective view of the fishing reel portion illustrated in FIG. 3;

FIG. 13 is a cross sectional view of the fishing reel portion as along section line 13—13 of FIG. 4;

FIG. 14 is a cross sectional view of the fishing reel portion as along section line 14—14 of FIG. 4;

FIG. 15 is a cross sectional view of the fishing reel portion as along section line 15—15 of FIG. 4;

FIG. 16 is a cross sectional view of the fishing reel portion as along section line 16—16 of FIG. 4;

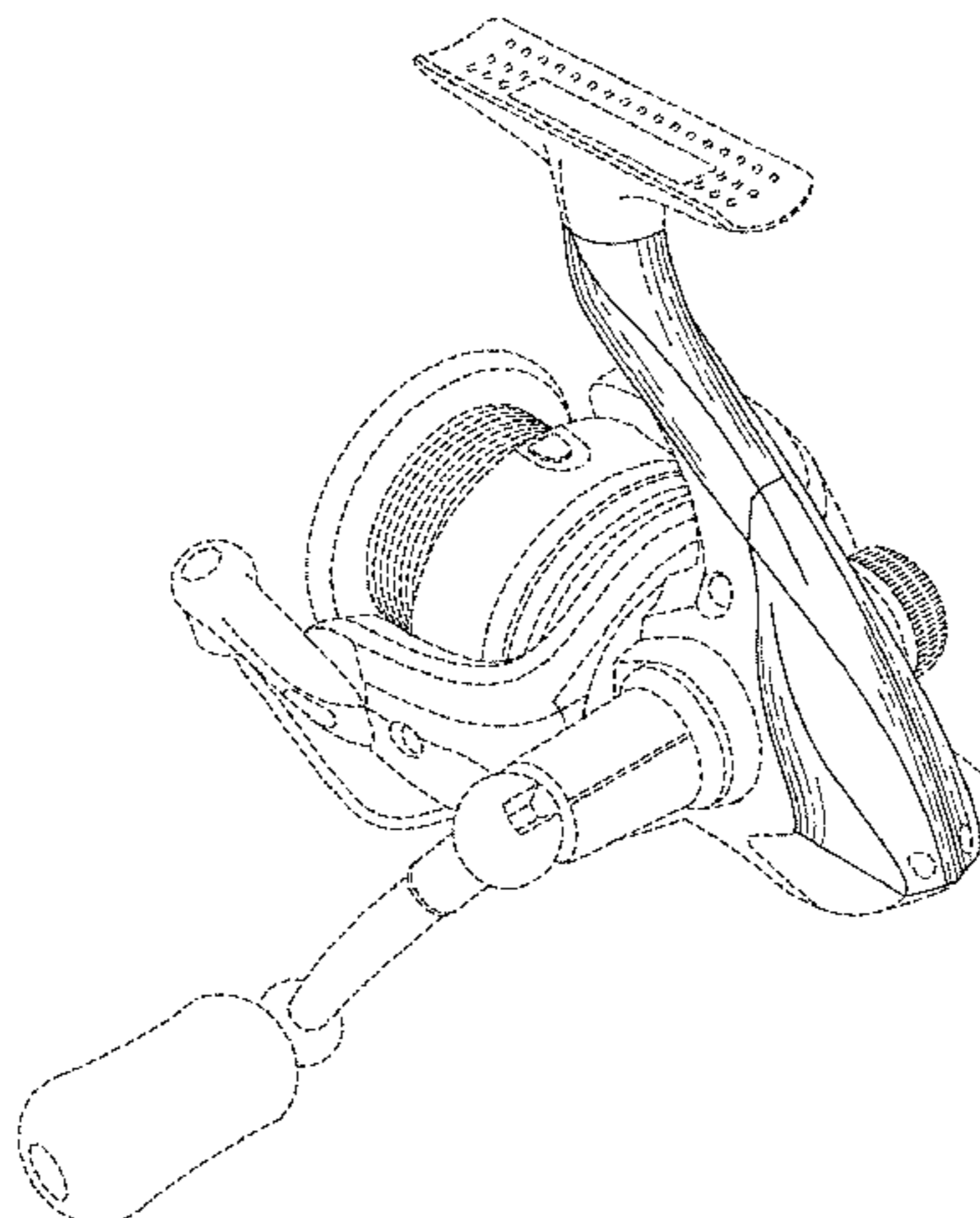


FIG. 17 is an end elevational view, similar to FIG. 8, of an alternate fishing reel portion, but with the upper and lower boundaries of the fishing reel portion shown in broken lines;

FIG. 18 is an enlarged perspective view, similar to FIG. 1, of the alternate fishing reel portion illustrated in FIG. 17, but with the upper and lower boundaries of the fishing reel portion shown in broken lines; and,

FIG. 19 is an enlarged perspective view, similar to FIG. 2, of the alternate fishing reel portion illustrated in FIG. 17, but with the upper and lower boundaries of the fishing reel portion shown in broken lines.

The broken line illustration of the environmental structure (the remaining structure of the fishing reel) in the drawings is not part of the claimed design. The sectional views are pro-

vided to clarify the exact contour or configuration of the exterior surface of the fishing reel portion, and no attempt is made to illustrate features of internal construction. In the alternate design of the fishing reel portion illustrated in FIGS. 17 to 19 is identical to the fishing reel portion illustrated in FIGS. 1 to 16, except that the upper and lower boundaries of the alternate fishing reel portion illustrated in FIGS. 17 to 19 do not form part of the claimed design the alternate fishing reel portion illustrated in FIGS. 17 to 19. In other words, with respect to the alternate design of the fishing reel portion illustrated in FIGS. 17 to 19, it should be understood that the claimed design extends to the boundary but does not include the boundaries shown in broken lines.

1 Claim, 9 Drawing Sheets

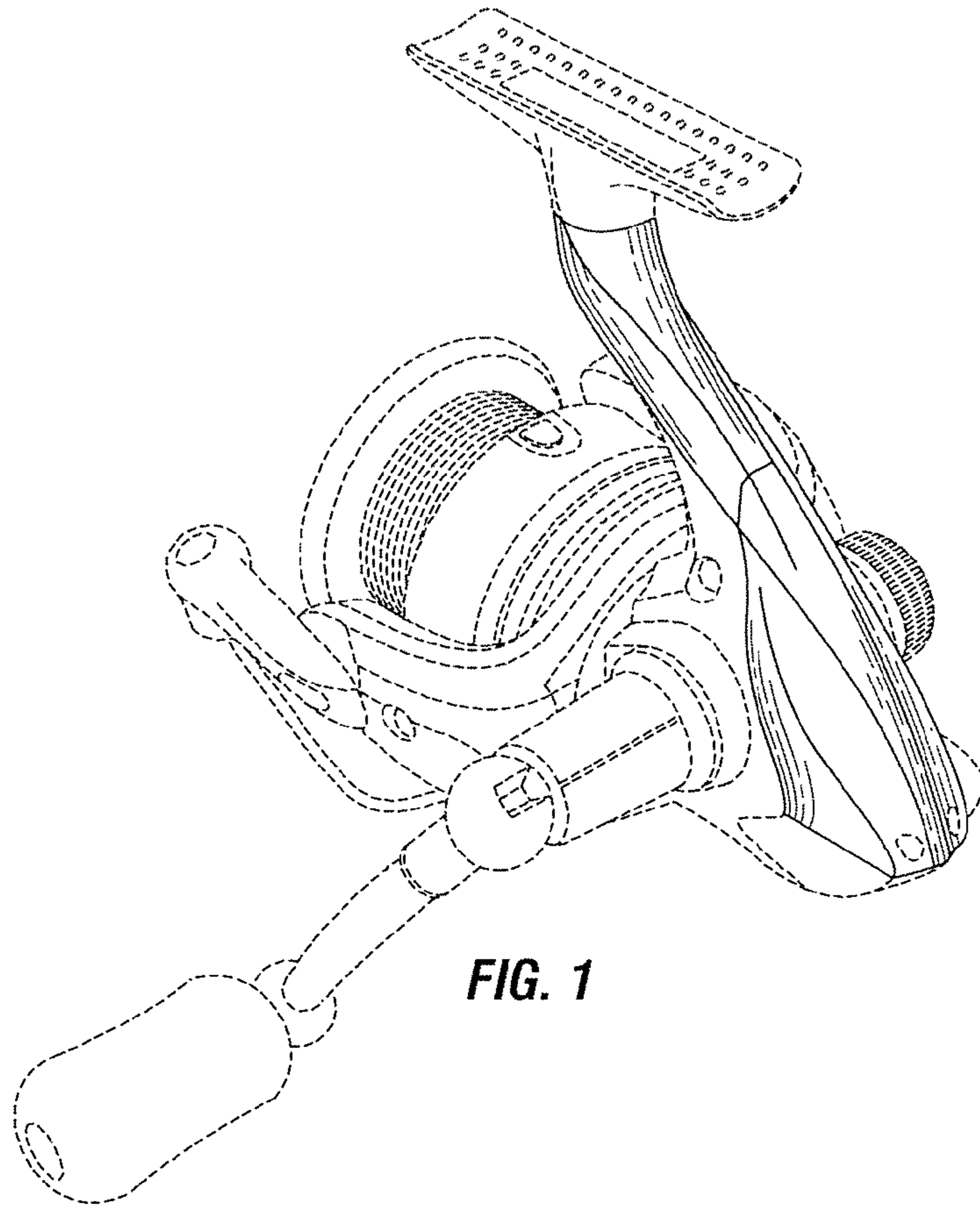


FIG. 1

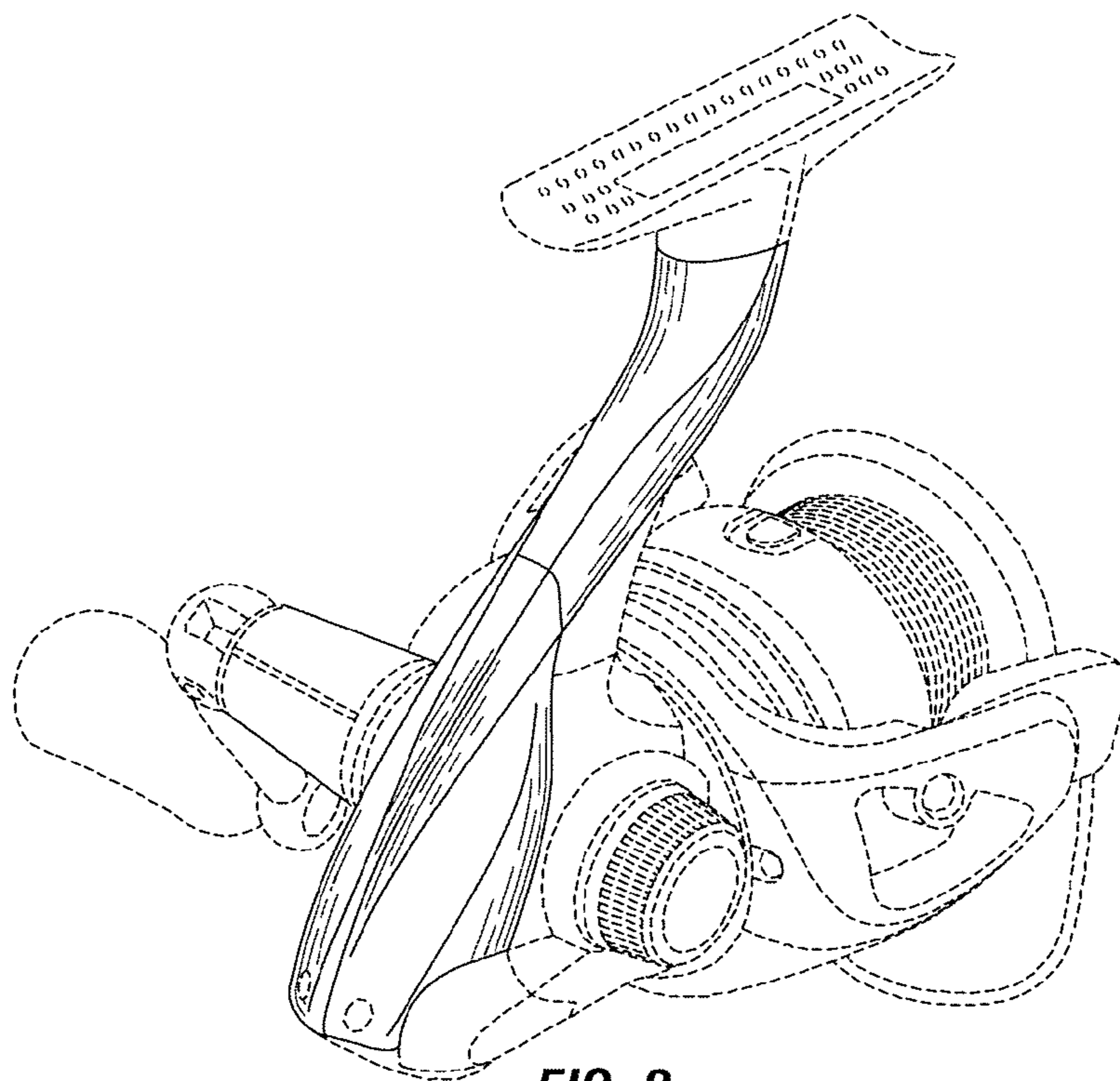


FIG. 2

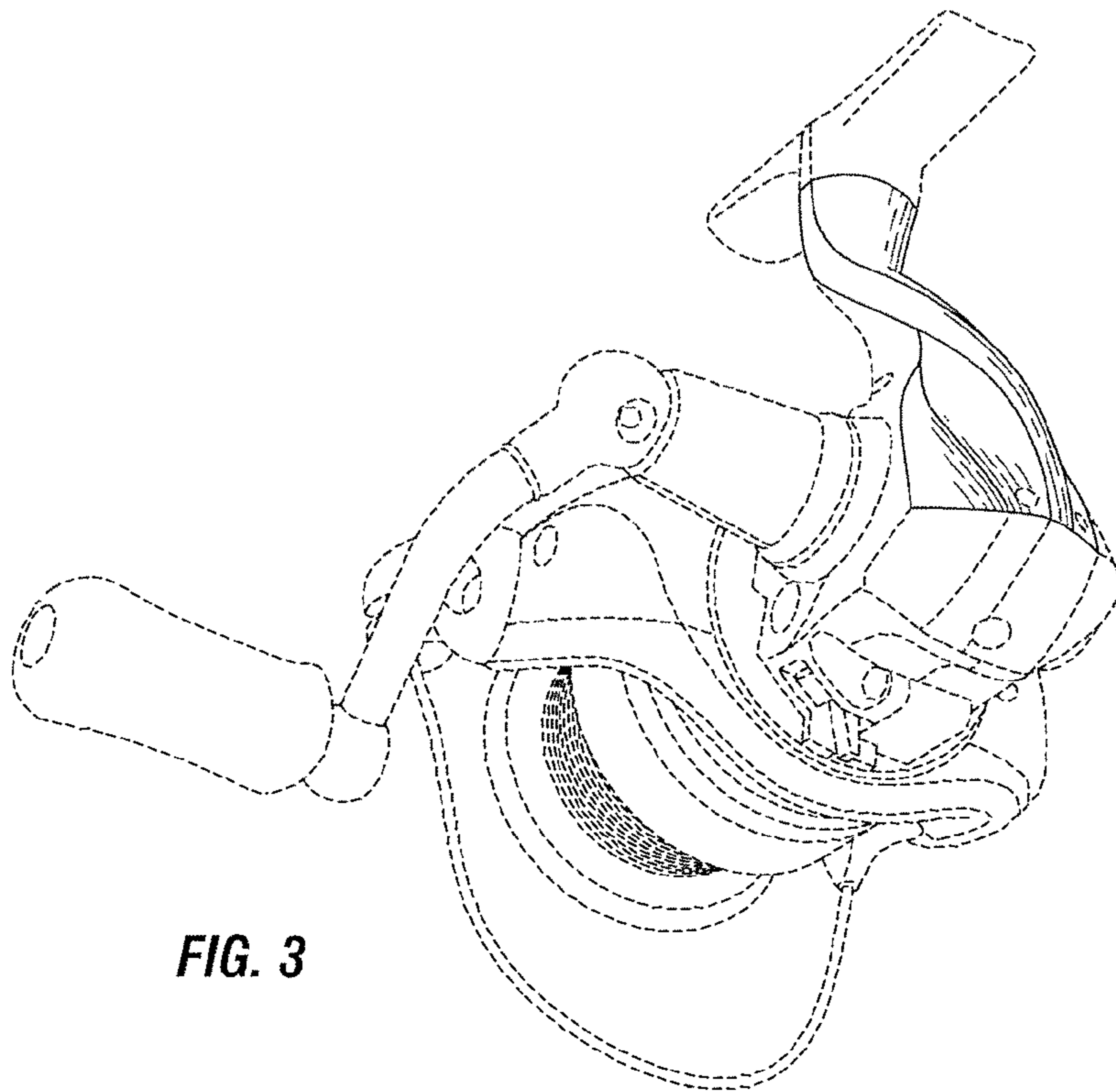


FIG. 3

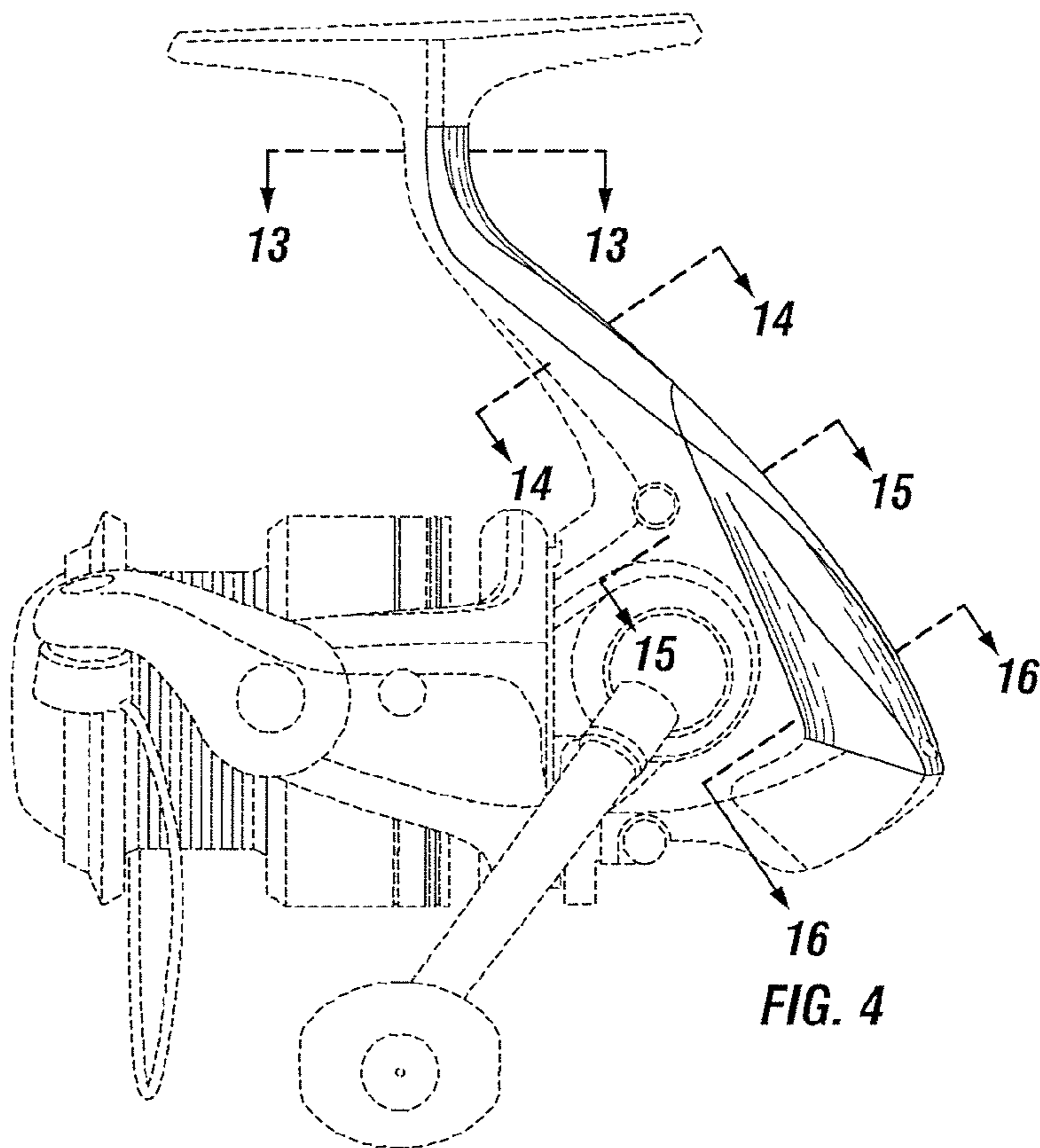


FIG. 4

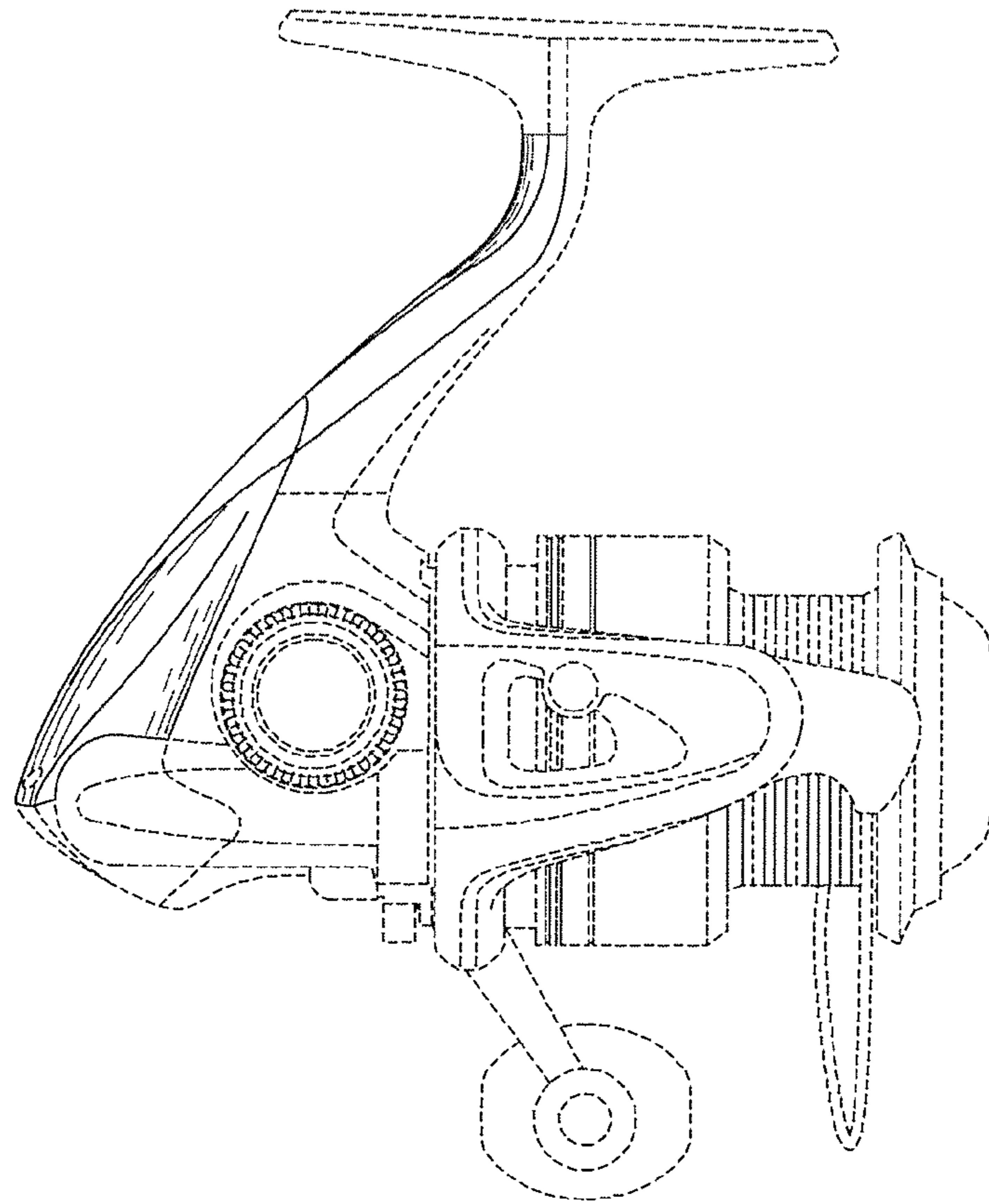


FIG. 5

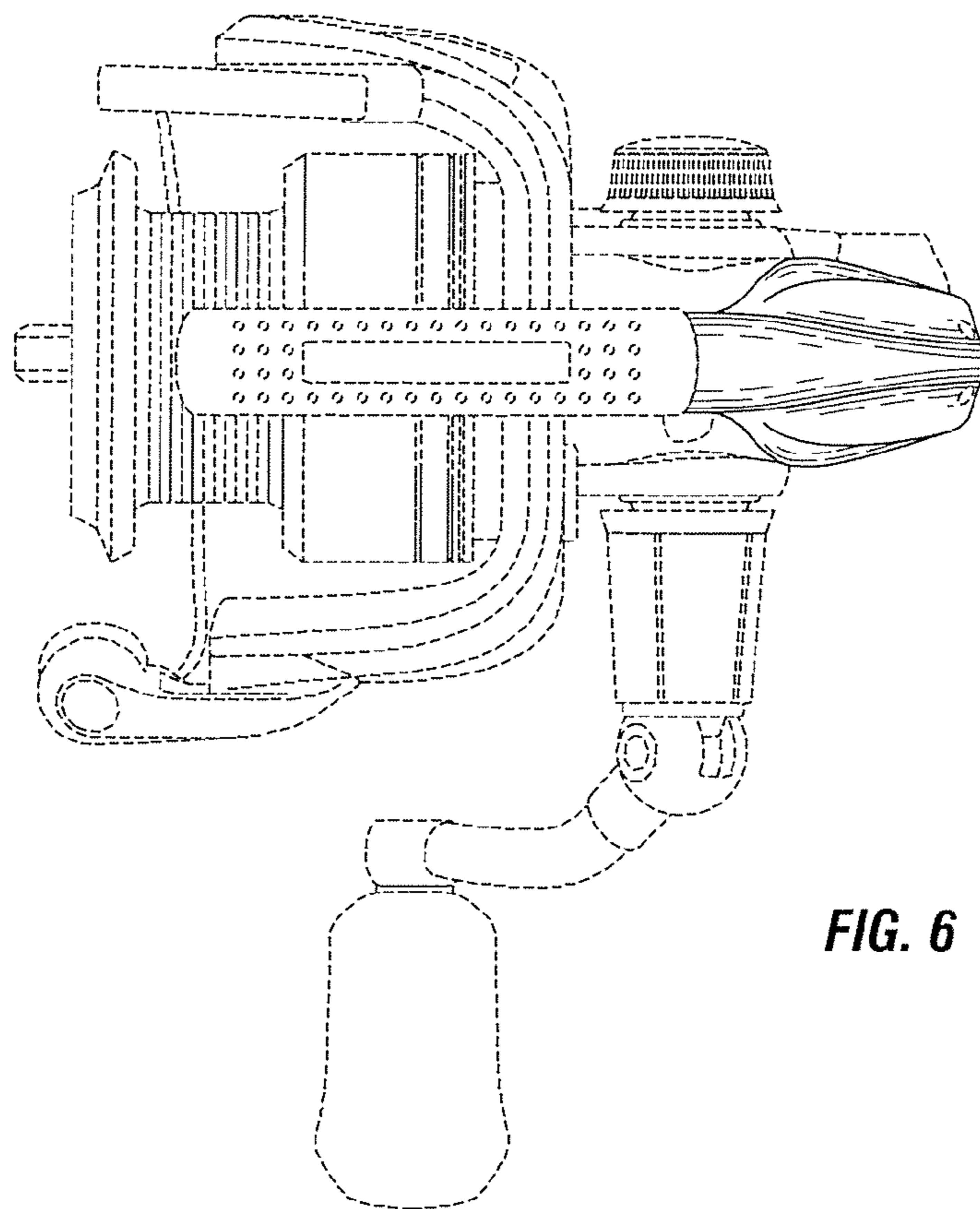


FIG. 6

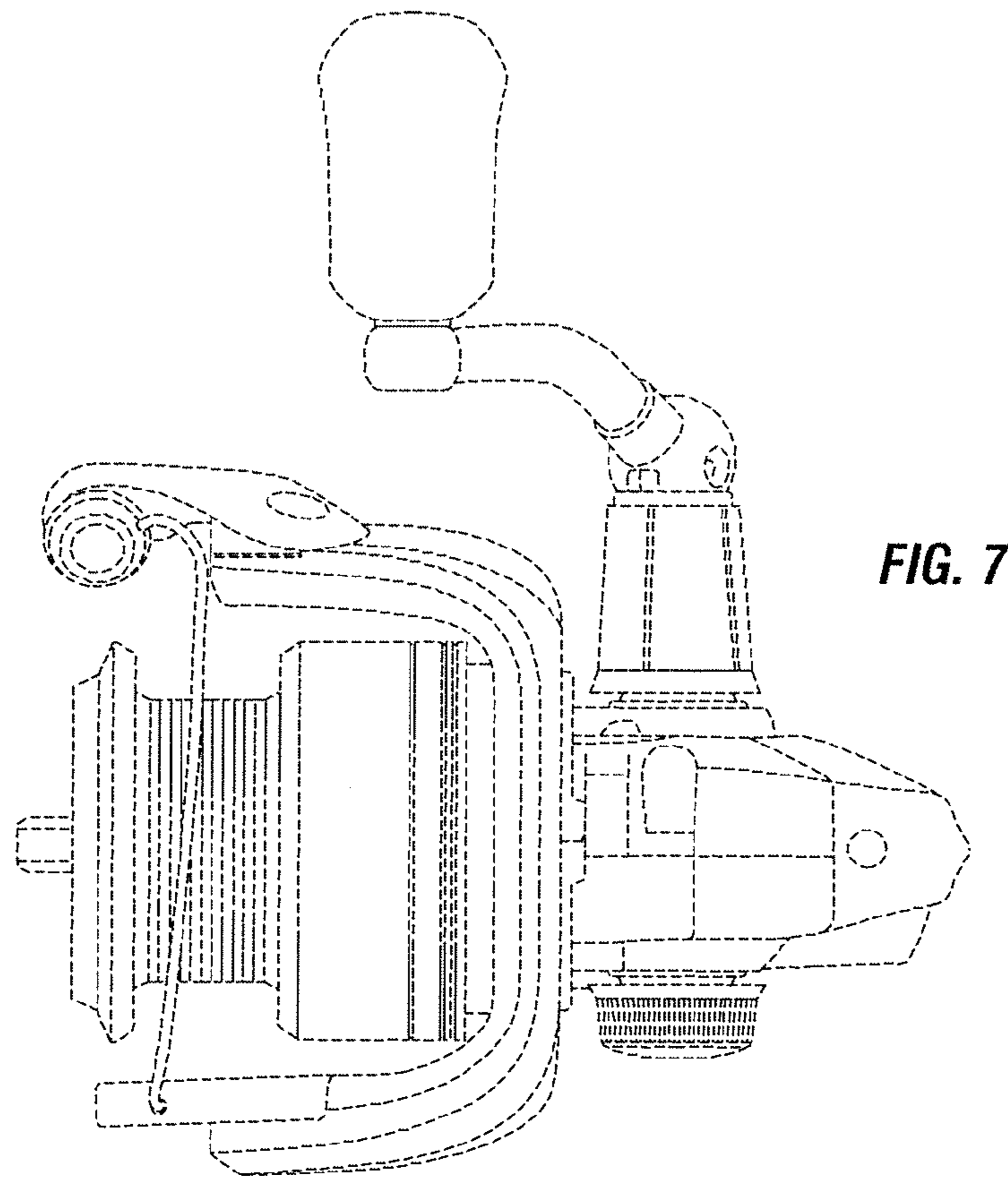


FIG. 7

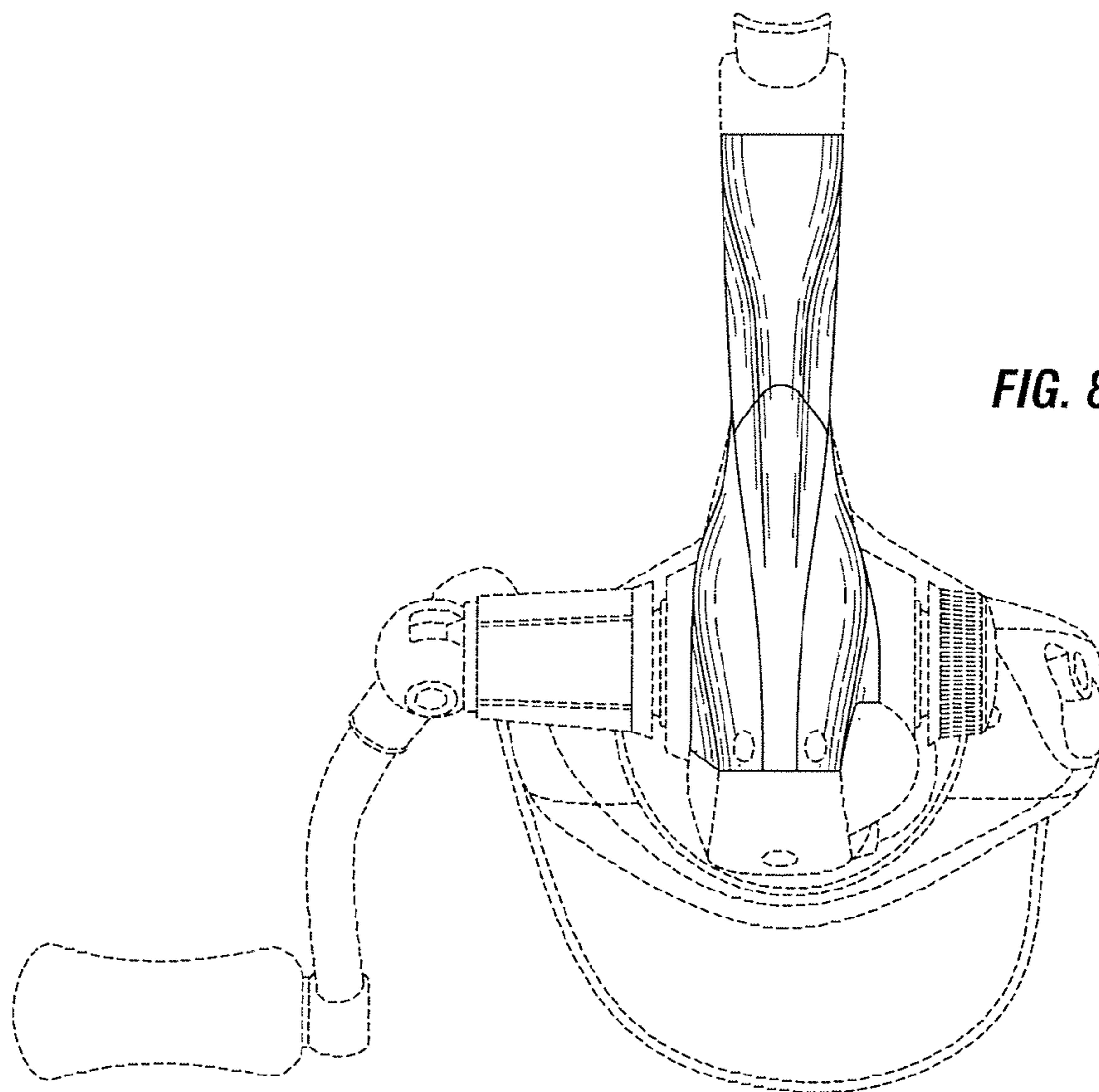


FIG. 8

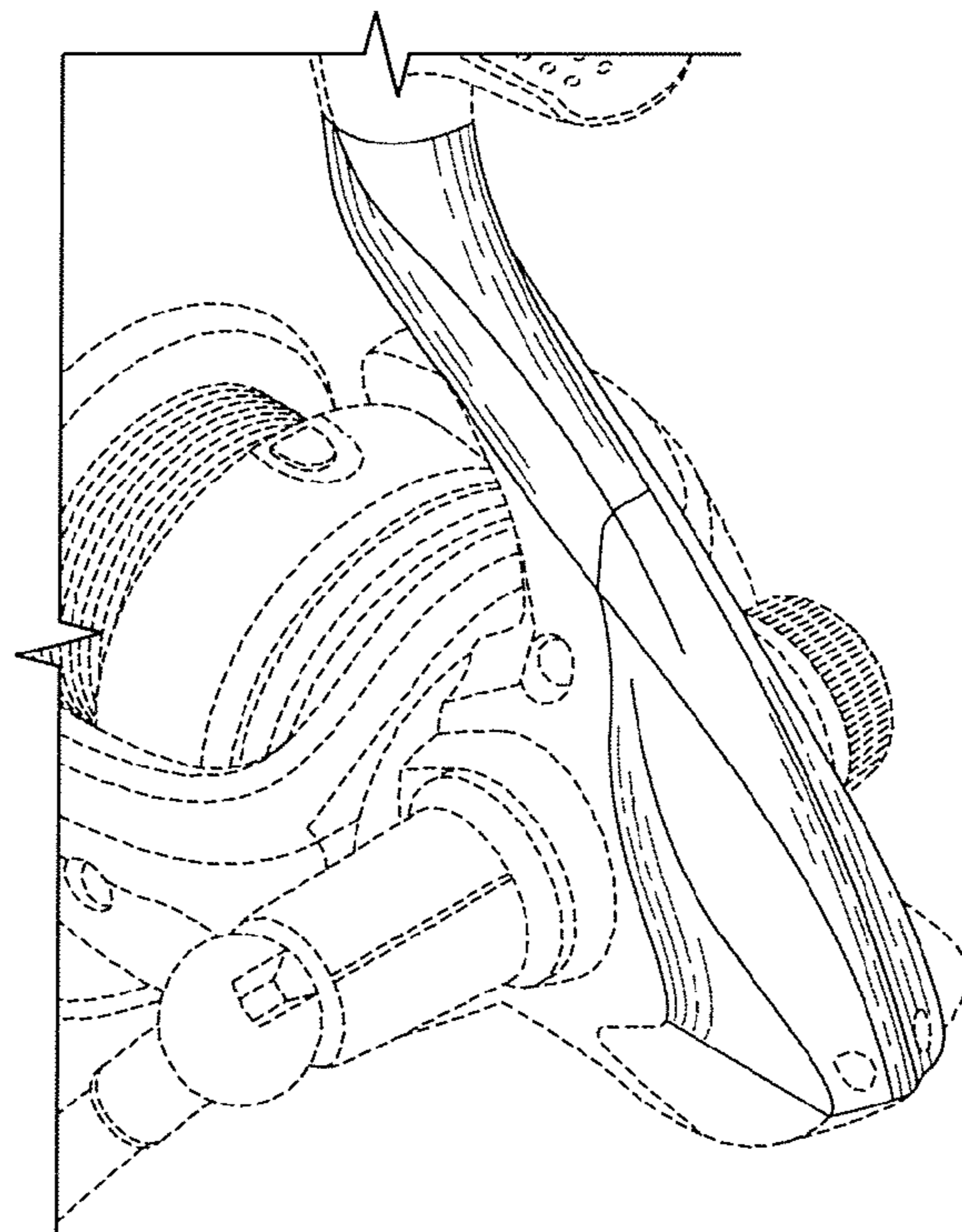
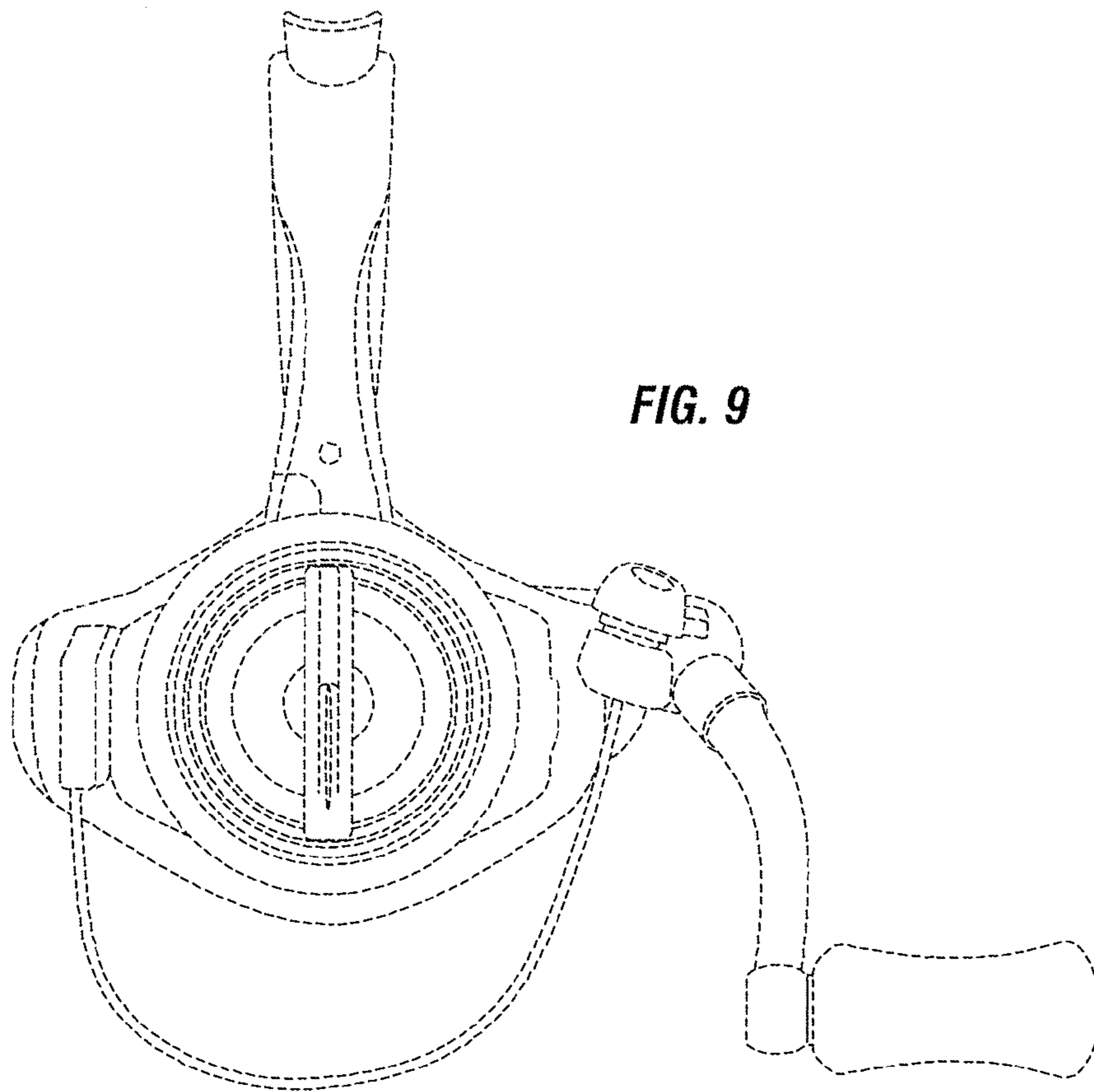


FIG. 10

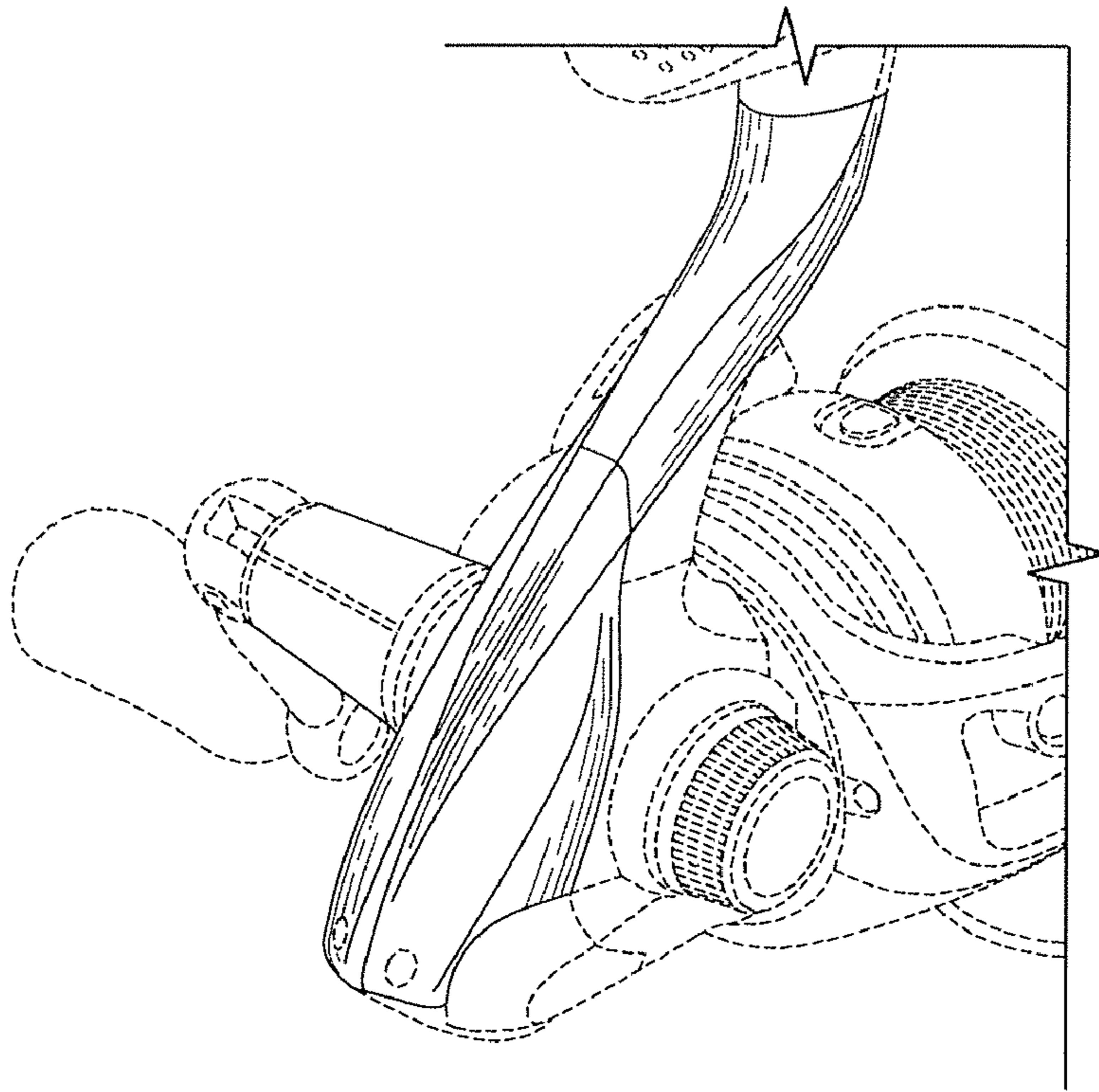


FIG. 11

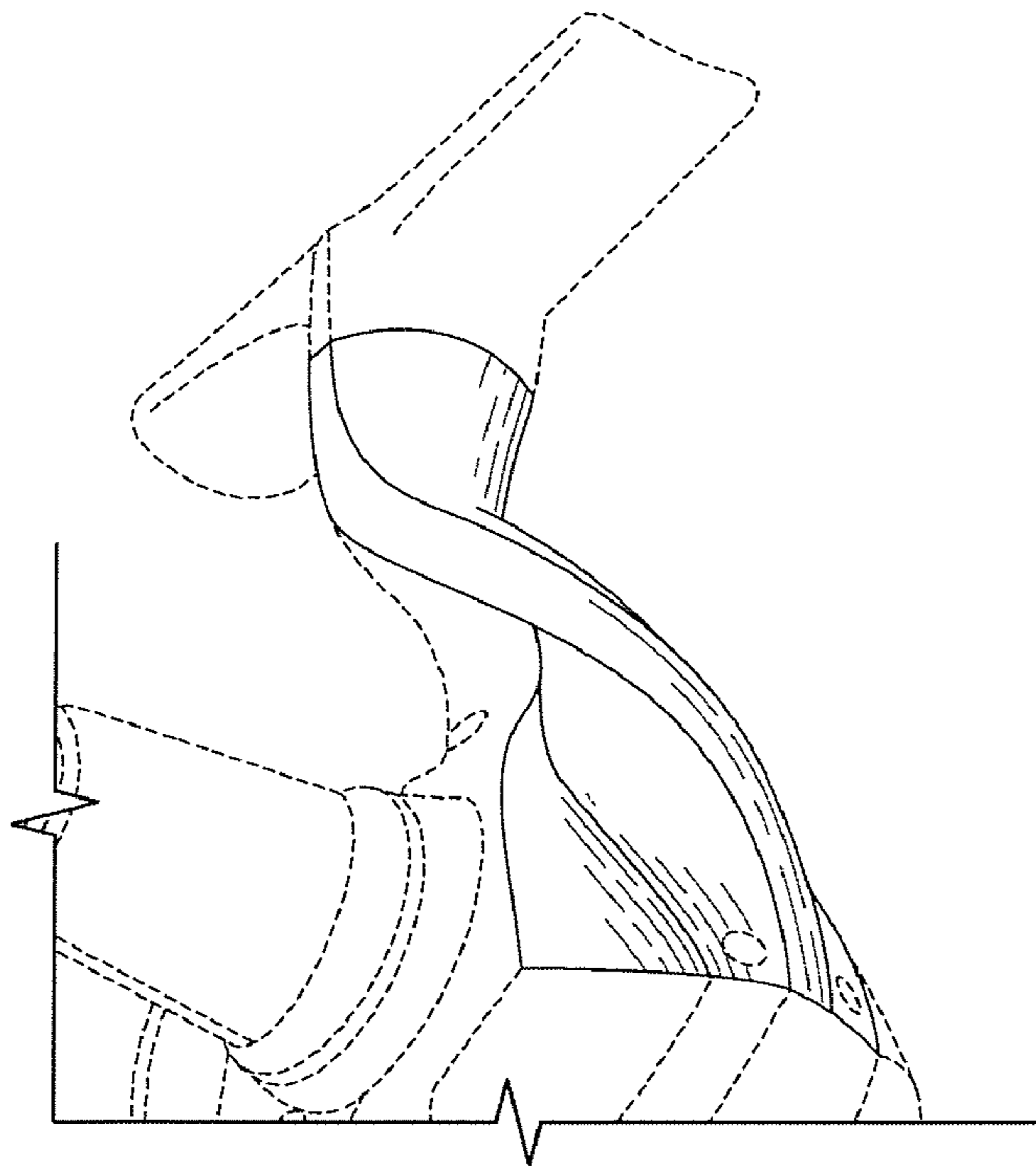


FIG. 12

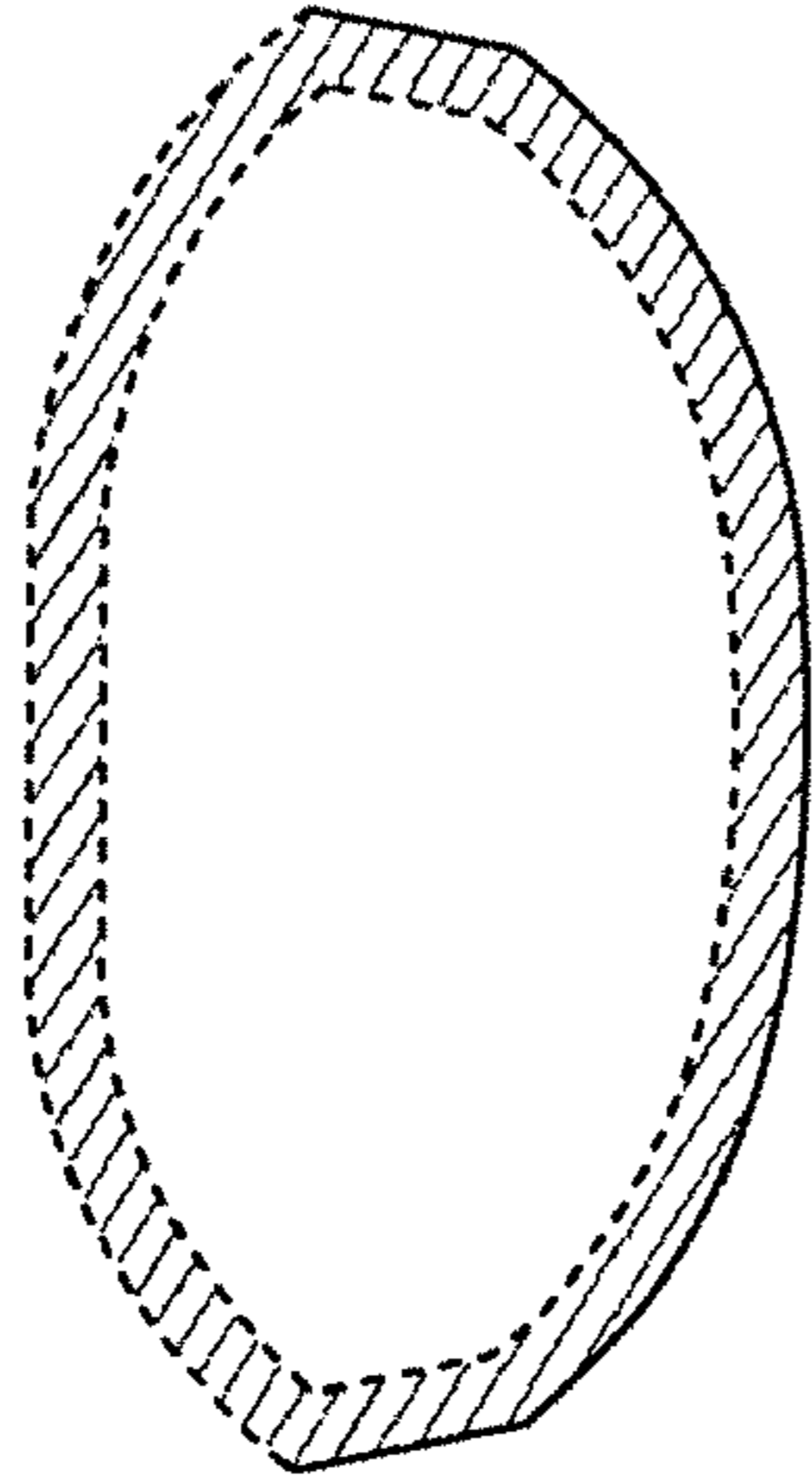


FIG. 13

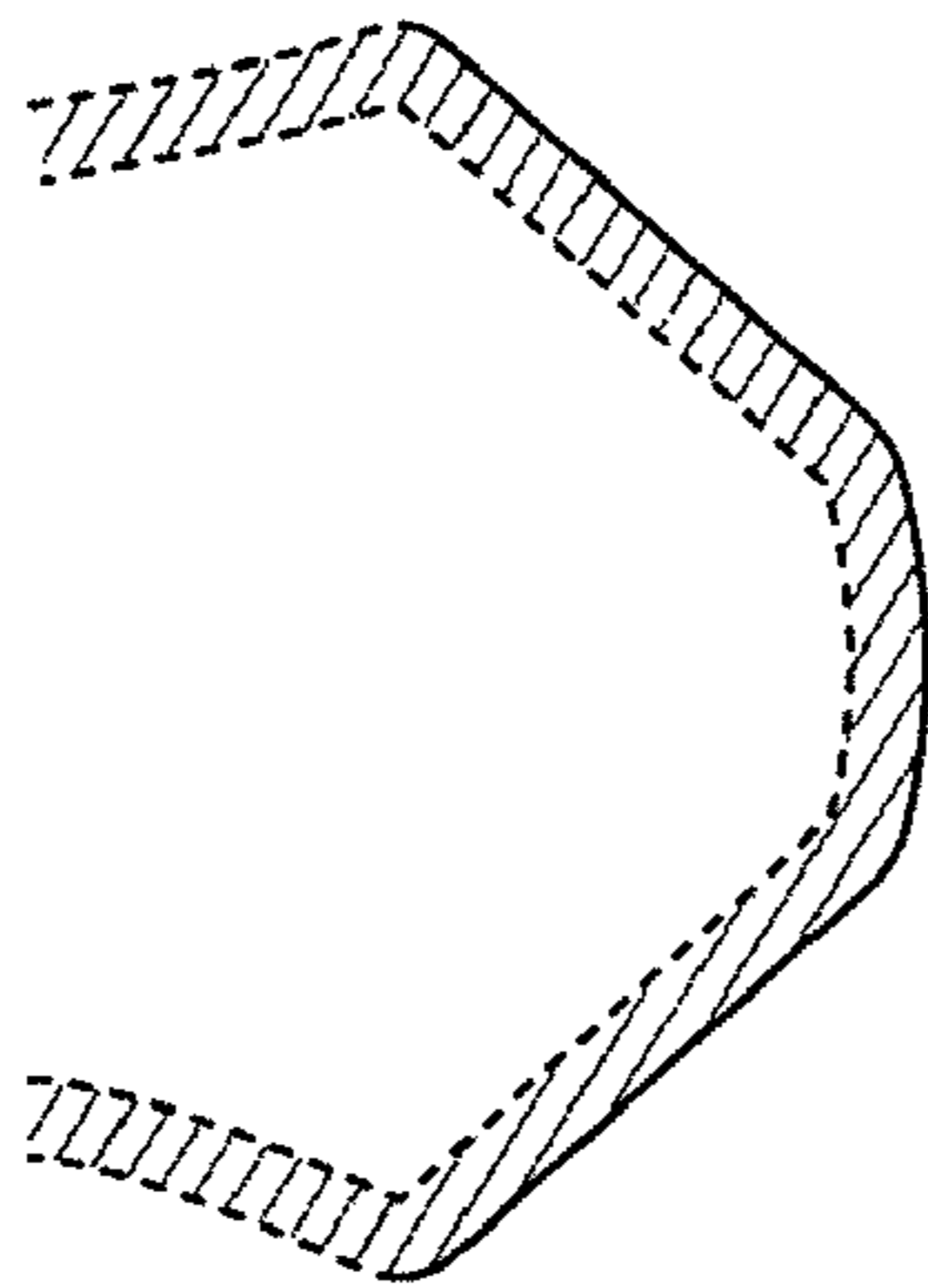


FIG. 14

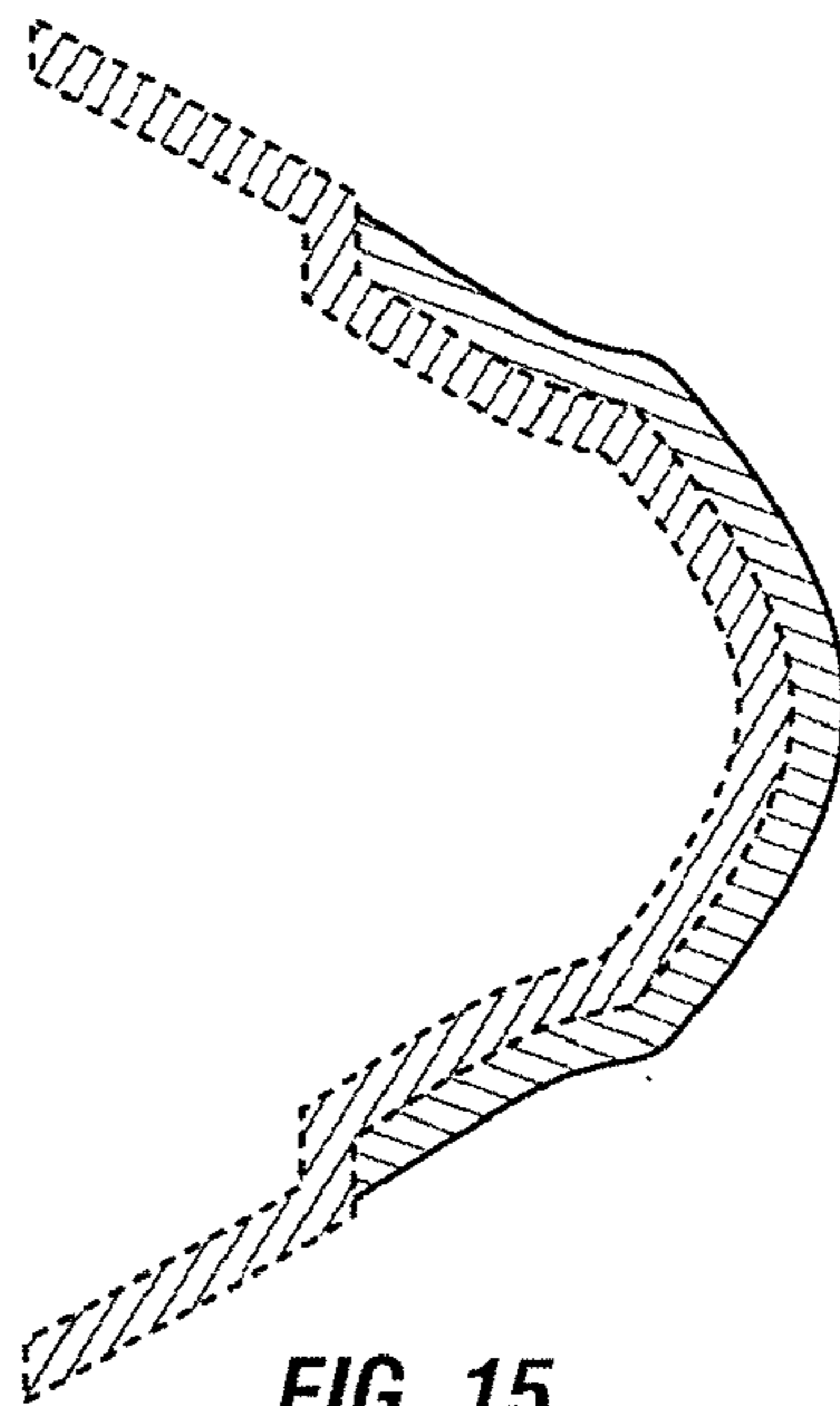


FIG. 15

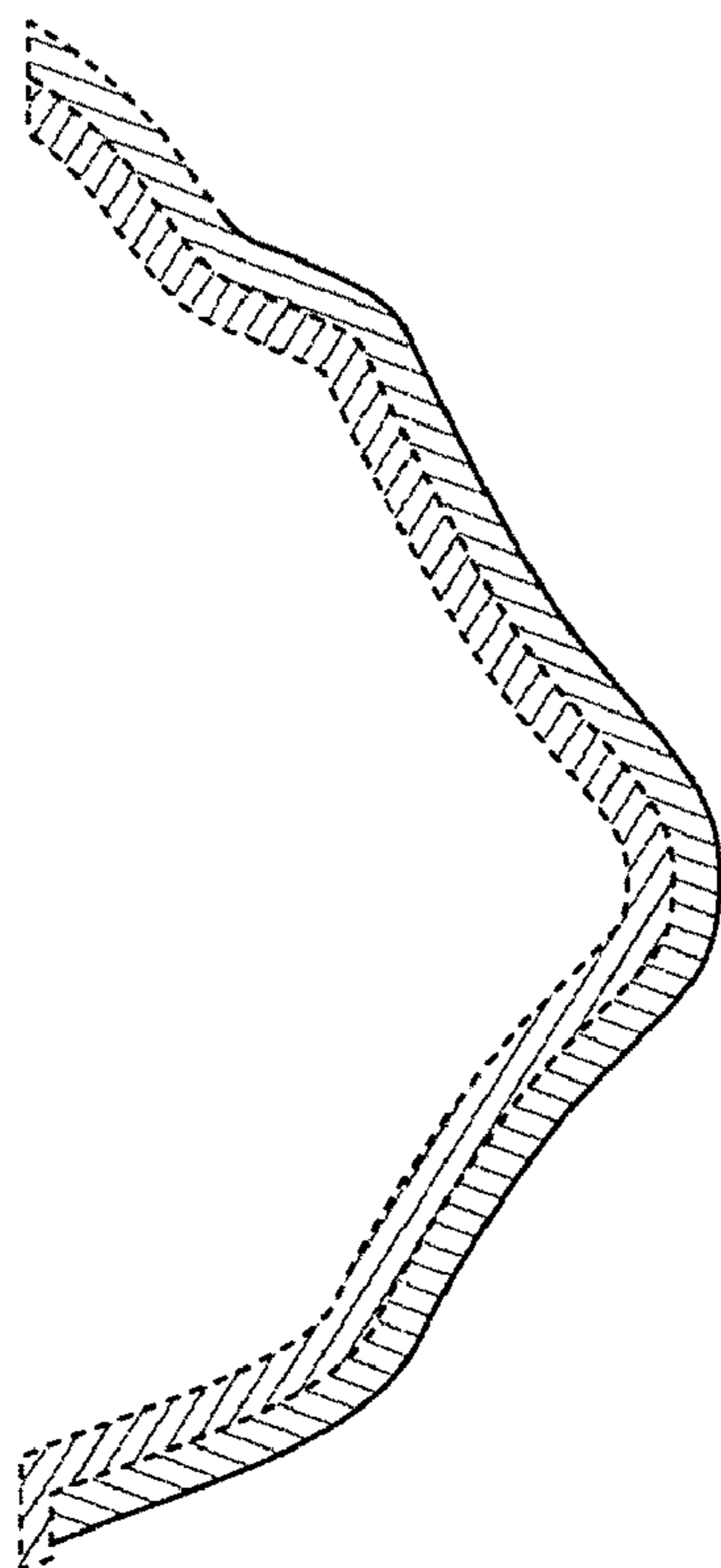


FIG. 16

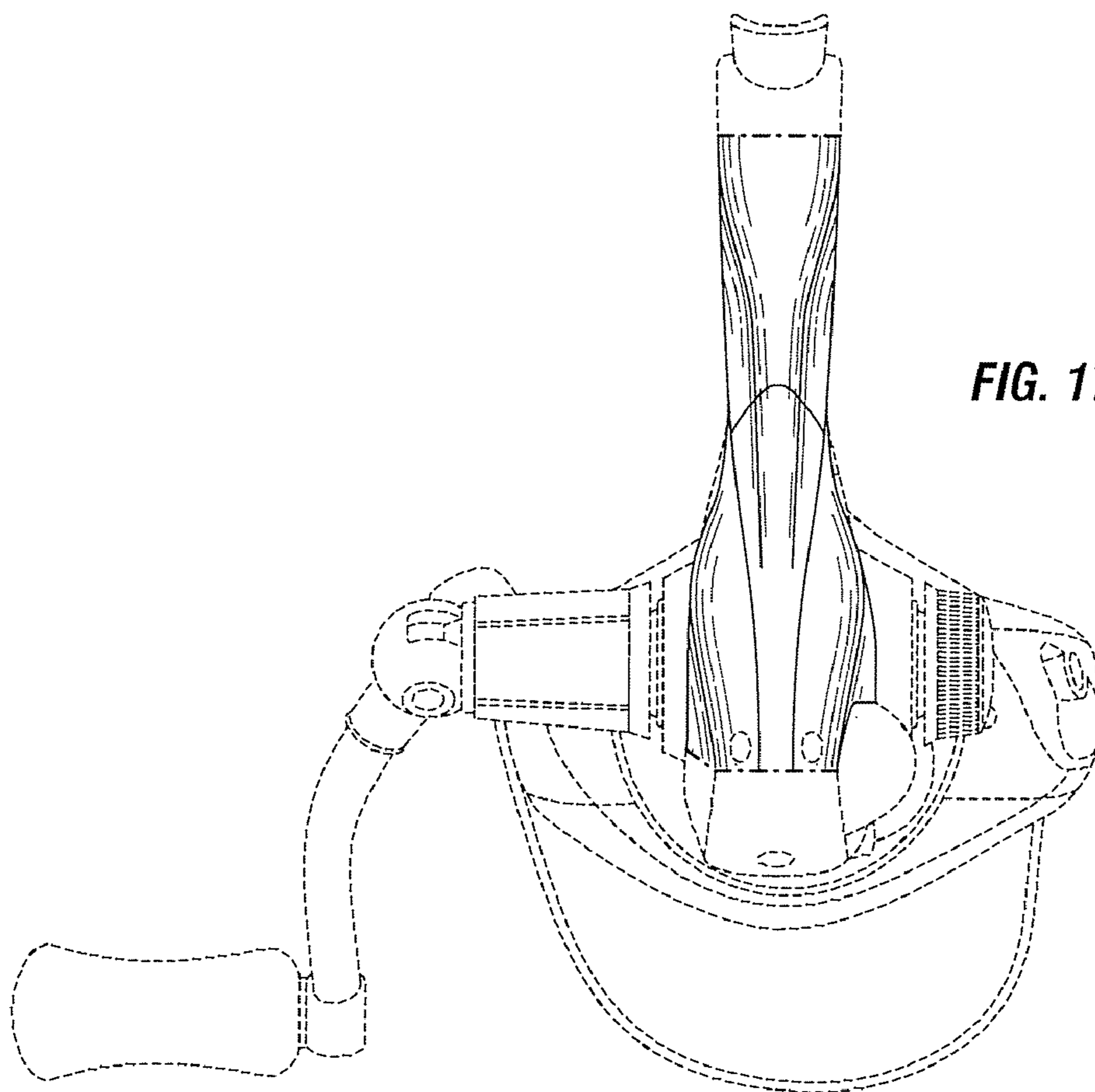


FIG. 17

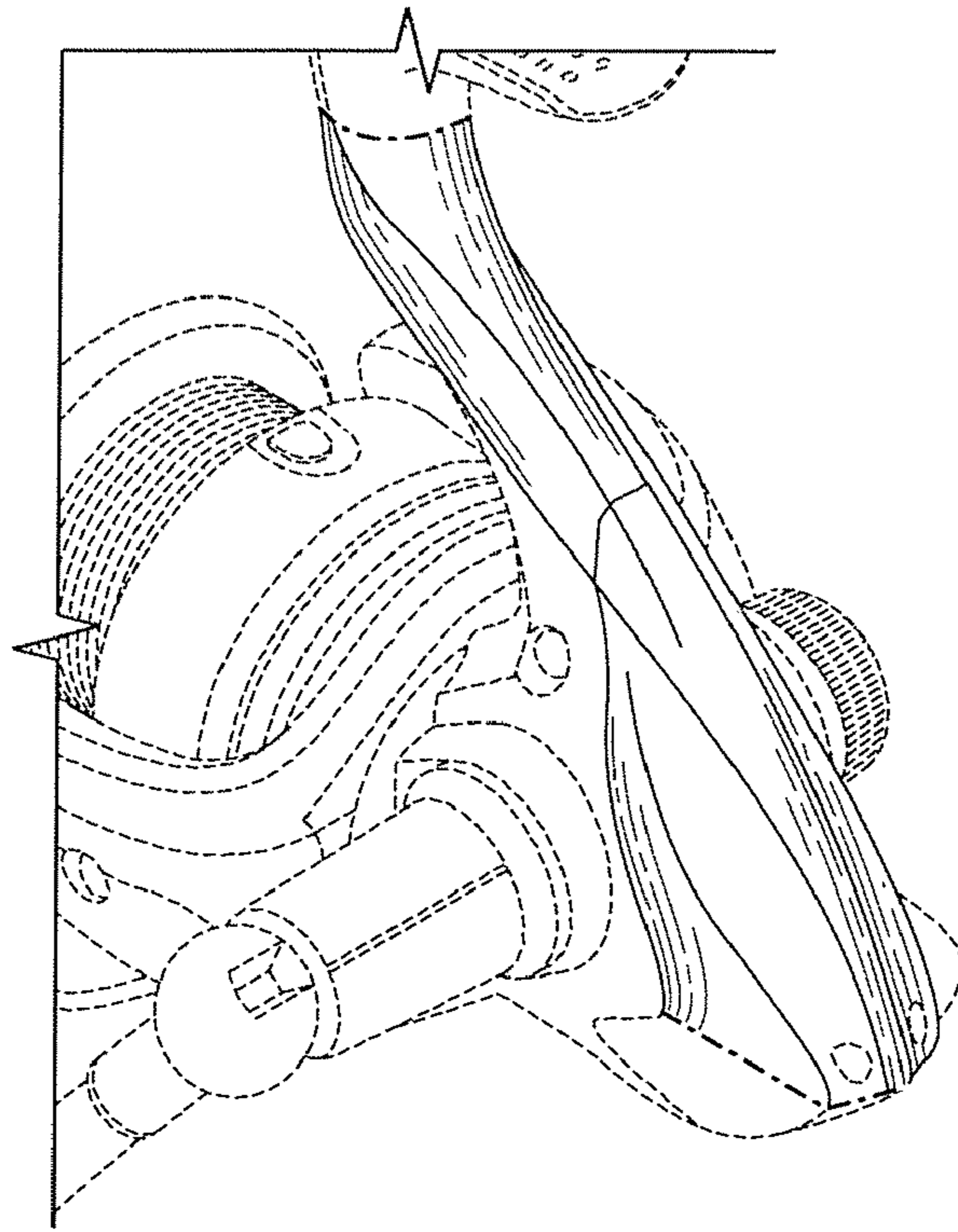


FIG. 18

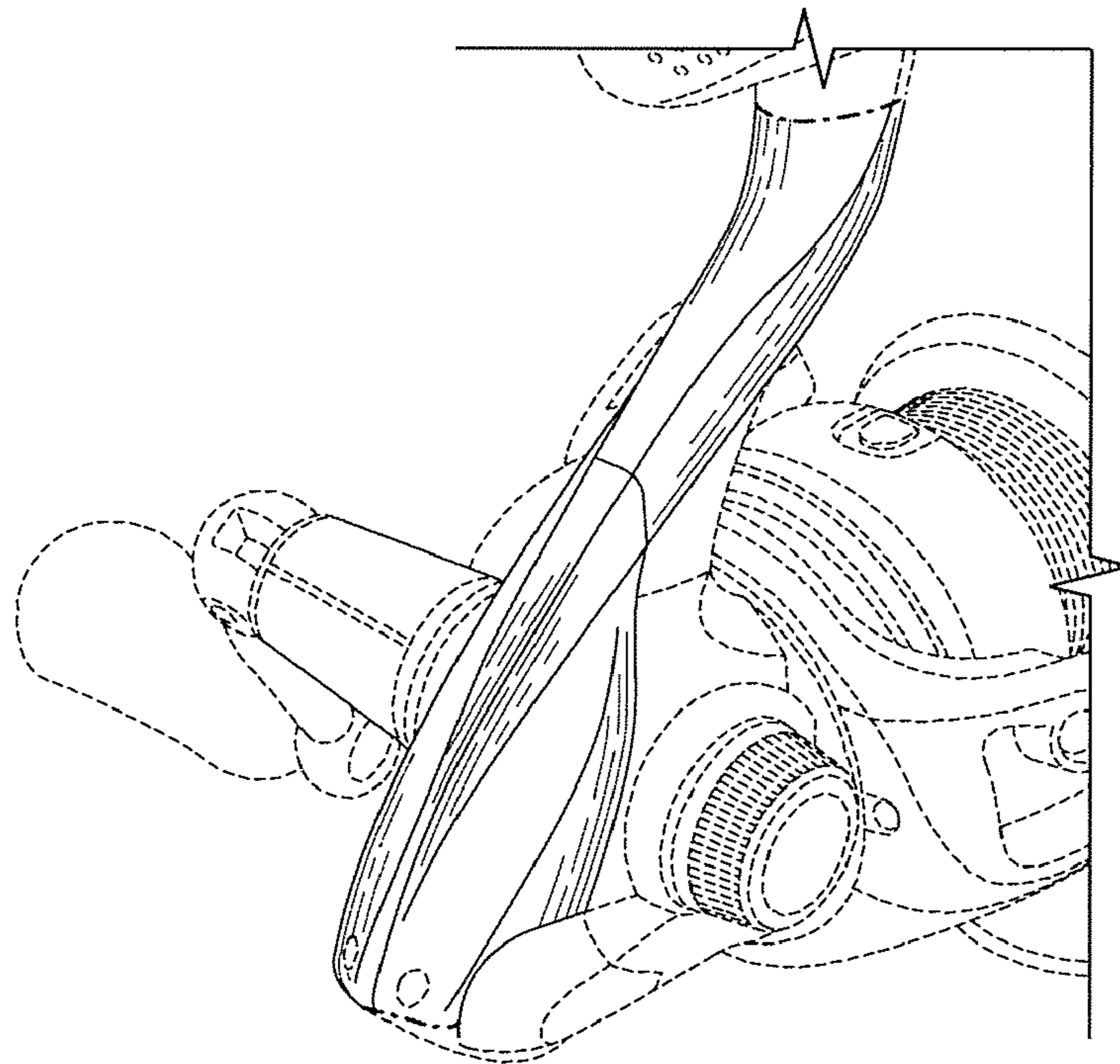


FIG. 19