



US00D624625S

(12) **United States Design Patent**
Tabuse et al.

(10) **Patent No.:** **US D624,625 S**
(45) **Date of Patent:** **** Sep. 28, 2010**

(54) **FISHING REEL PORTION**

(75) Inventors: **Jun Tabuse**, Osaka (JP); **Masakazu Iwabuchi**, Osaka (JP)

(73) Assignee: **Shimano Inc.**, Osaka (JP)

(**) Term: **14 Years**

(21) Appl. No.: **29/353,353**

(22) Filed: **Jan. 7, 2010**

(30) **Foreign Application Priority Data**

Jul. 14, 2009 (JP) 2009-015999

(51) **LOC (9) Cl.** **22-05**

(52) **U.S. Cl.** **D22/141**

(58) **Field of Classification Search** D22/141,
D22/137-140; 43/19-22; 242/223-224,
242/243, 242, 310-319

See application file for complete search history.

(56) **References Cited**

U.S. PATENT DOCUMENTS

D294,621 S 3/1988 Myojo

(Continued)

FOREIGN PATENT DOCUMENTS

JP D1078382 7/2000

Primary Examiner—Catherine R Oliver

(74) *Attorney, Agent, or Firm*—Global IP Counselors, LLP

(57) **CLAIM**

The ornamental design for a fishing reel portion, as shown and described.

DESCRIPTION

FIG. 1 is a perspective view of a fishing reel with a fishing reel portion in accordance with our new design;

FIG. 2 is a first side elevational view of the fishing reel with the fishing reel portion illustrated in FIG. 1;

FIG. 3 is a second side elevational view of the fishing reel portion illustrated in FIG. 1;

FIG. 4 is a top plan view of the fishing reel with the fishing reel portion illustrated in FIG. 1;

FIG. 5 is a bottom plan view of the fishing reel with the fishing reel portion illustrated in FIG. 1;

FIG. 6 is a first end elevational view of the fishing reel with the fishing reel portion illustrated in FIG. 1;

FIG. 7 is a second end elevational view of the fishing reel with the fishing reel portion illustrated in FIG. 1;

FIG. 8 is another perspective view, similar to FIG. 1, of the fishing reel with the fishing reel portion illustrated in FIG. 1, but with an operating part being moved to an alternate position;

FIG. 9 is still another perspective view of the fishing reel with the fishing reel portion illustrated in FIG. 1, but with the operating part being moved to the alternate position as illustrated in FIG. 8;

FIG. 10 is still yet another perspective view of the fishing reel with the fishing reel portion illustrated in FIG. 1, but with the operating part being moved to the alternate position as illustrated in FIGS. 8 and 9;

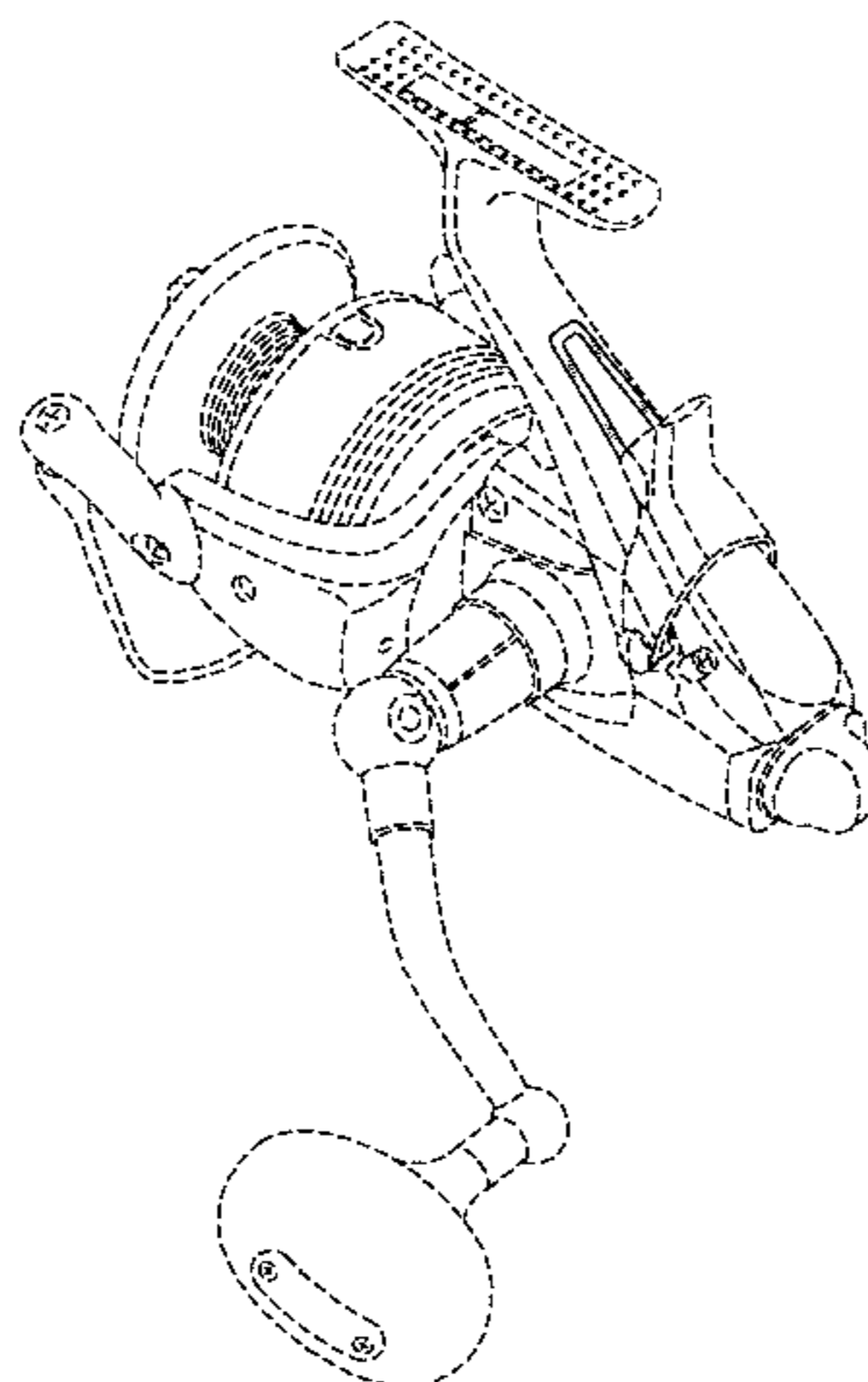
FIG. 11 is still yet another perspective view of the fishing reel with the fishing reel portion illustrated in FIG. 1, but with the operating part being moved to the alternate position as illustrated in FIGS. 8 to 10;

FIG. 12 is an enlarged perspective view of the fishing reel portion illustrated in FIG. 9; and,

FIG. 13 is an enlarged perspective view of the fishing reel portion illustrated in FIG. 10.

The broken line illustration of the environmental structure (the remaining structure of the fishing reel) in the drawings is not part of the claimed design.

1 Claim, 7 Drawing Sheets



US D624,625 S

Page 2

U.S. PATENT DOCUMENTS

D294,622 S 3/1988 Myojo
D300,237 S 3/1989 Myojo
D329,907 S 9/1992 Yui
D516,162 S 2/2006 Iwabuchi
D517,161 S 3/2006 Iwabuchi

D561,871 S * 2/2008 Iwabuchi D22/141
D574,461 S * 8/2008 Nago D22/141
7,413,138 B2 * 8/2008 Kitajima et al. 242/311
D579,513 S * 10/2008 Iwabuchi D22/141
D593,638 S * 6/2009 Nago D22/141

* cited by examiner

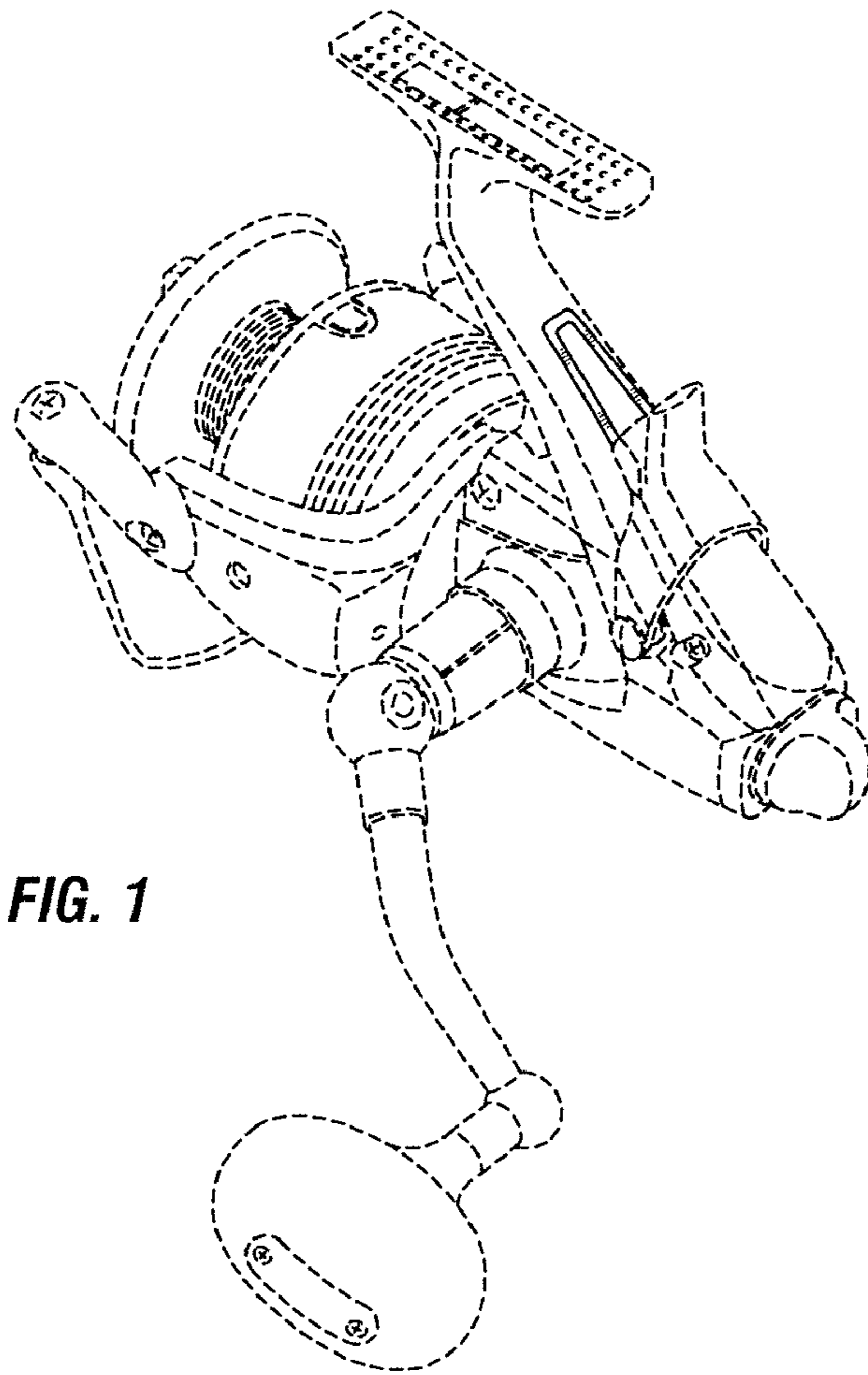


FIG. 1

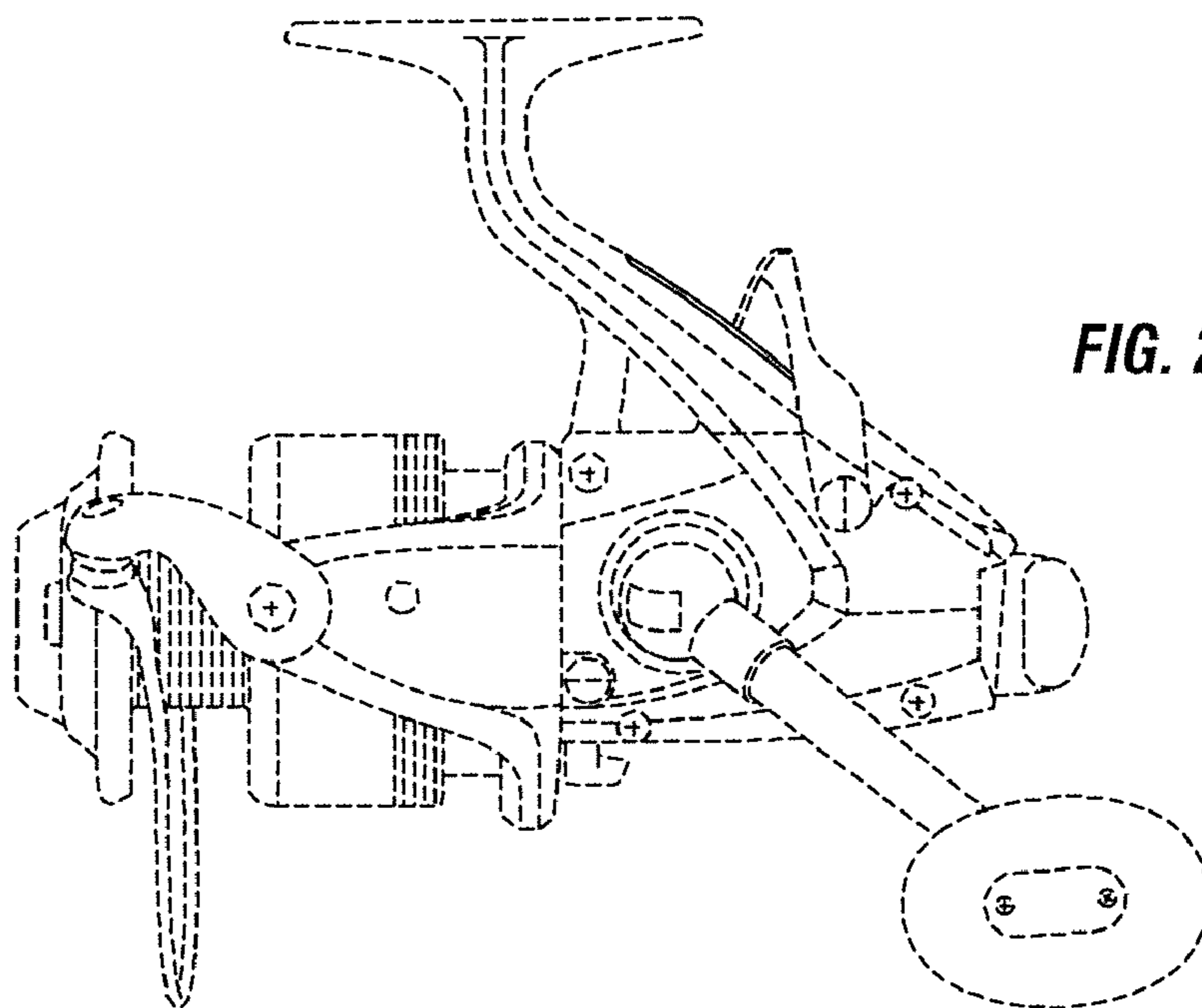


FIG. 2

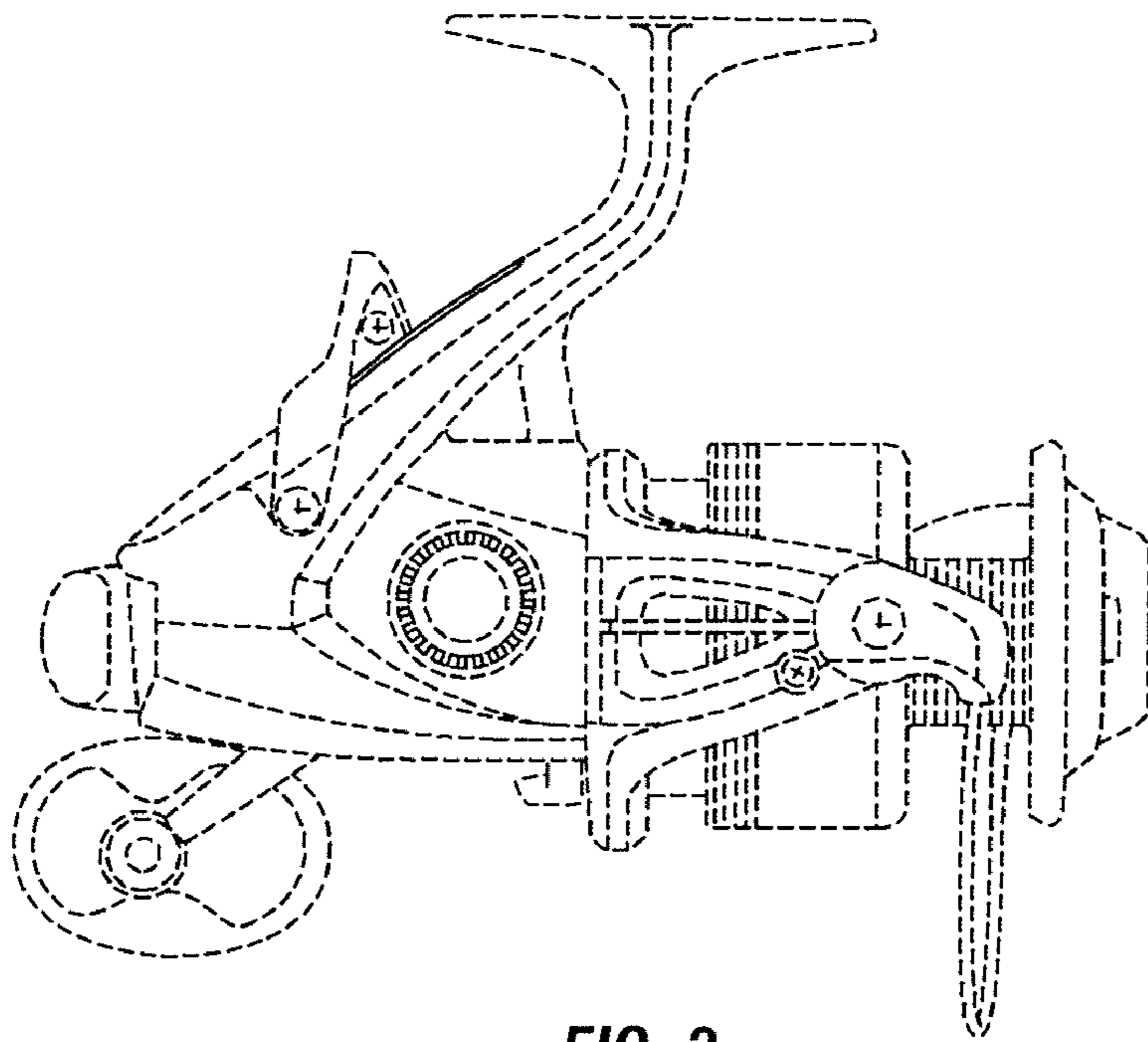


FIG. 3

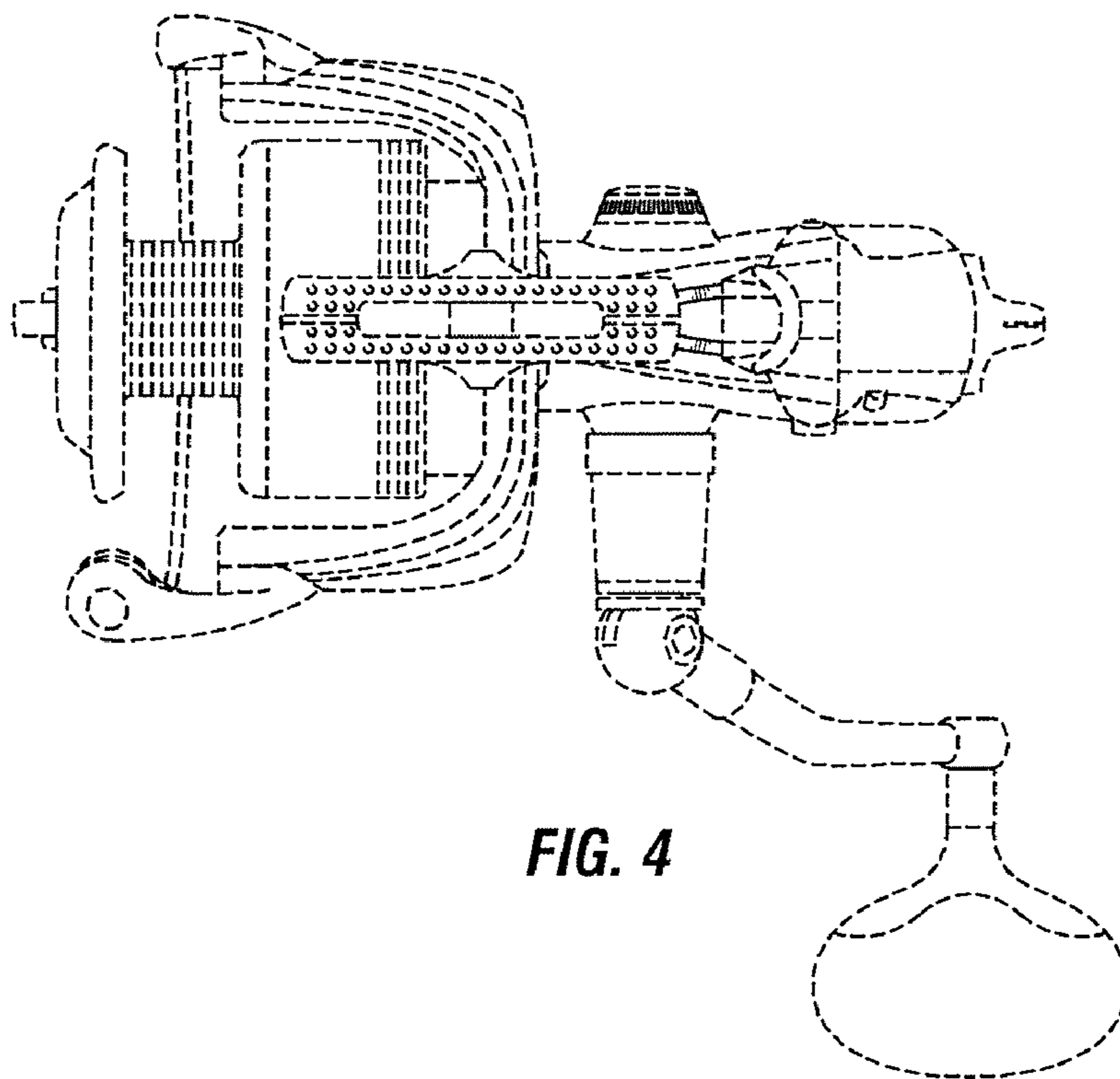


FIG. 4

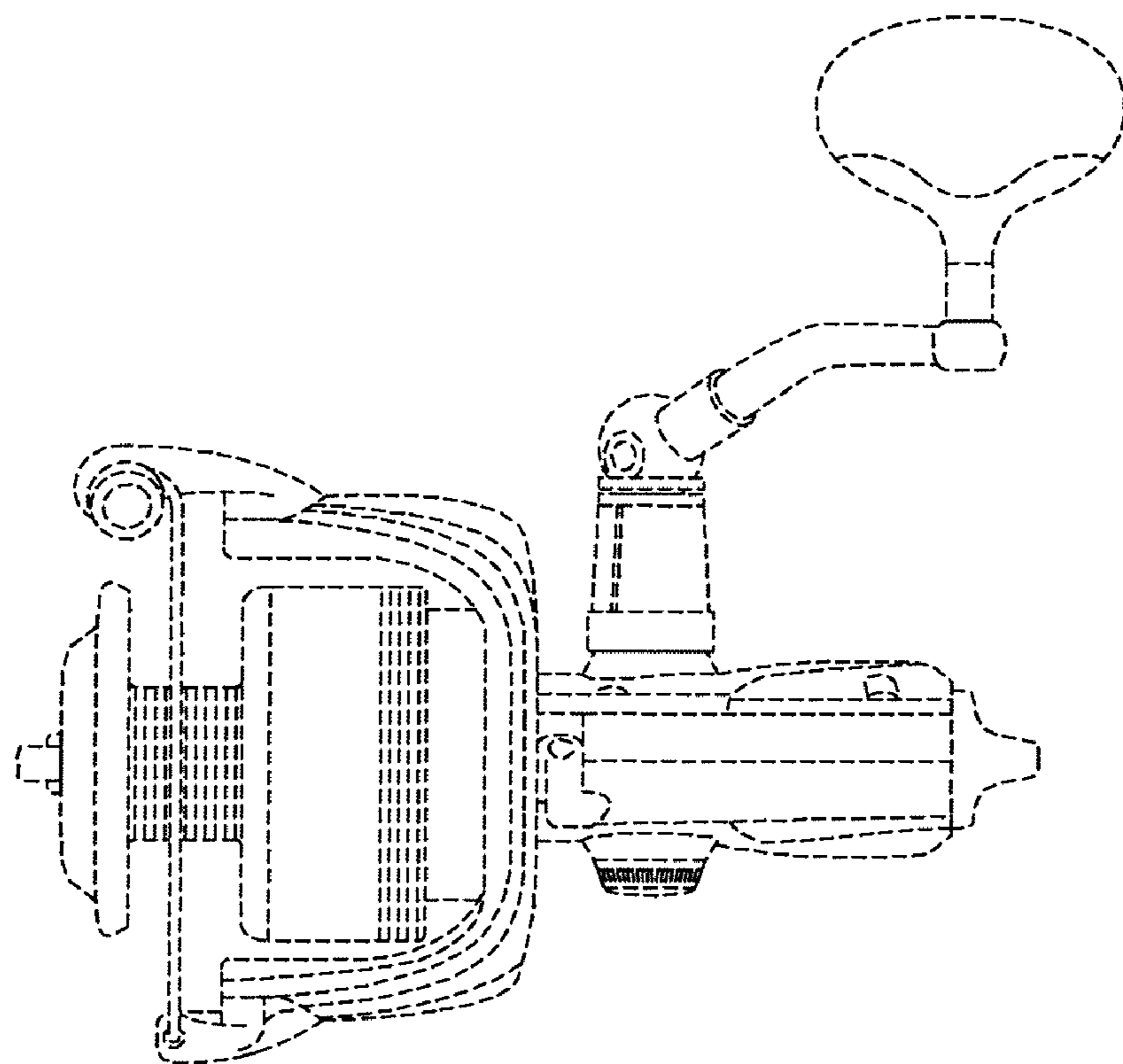


FIG. 5

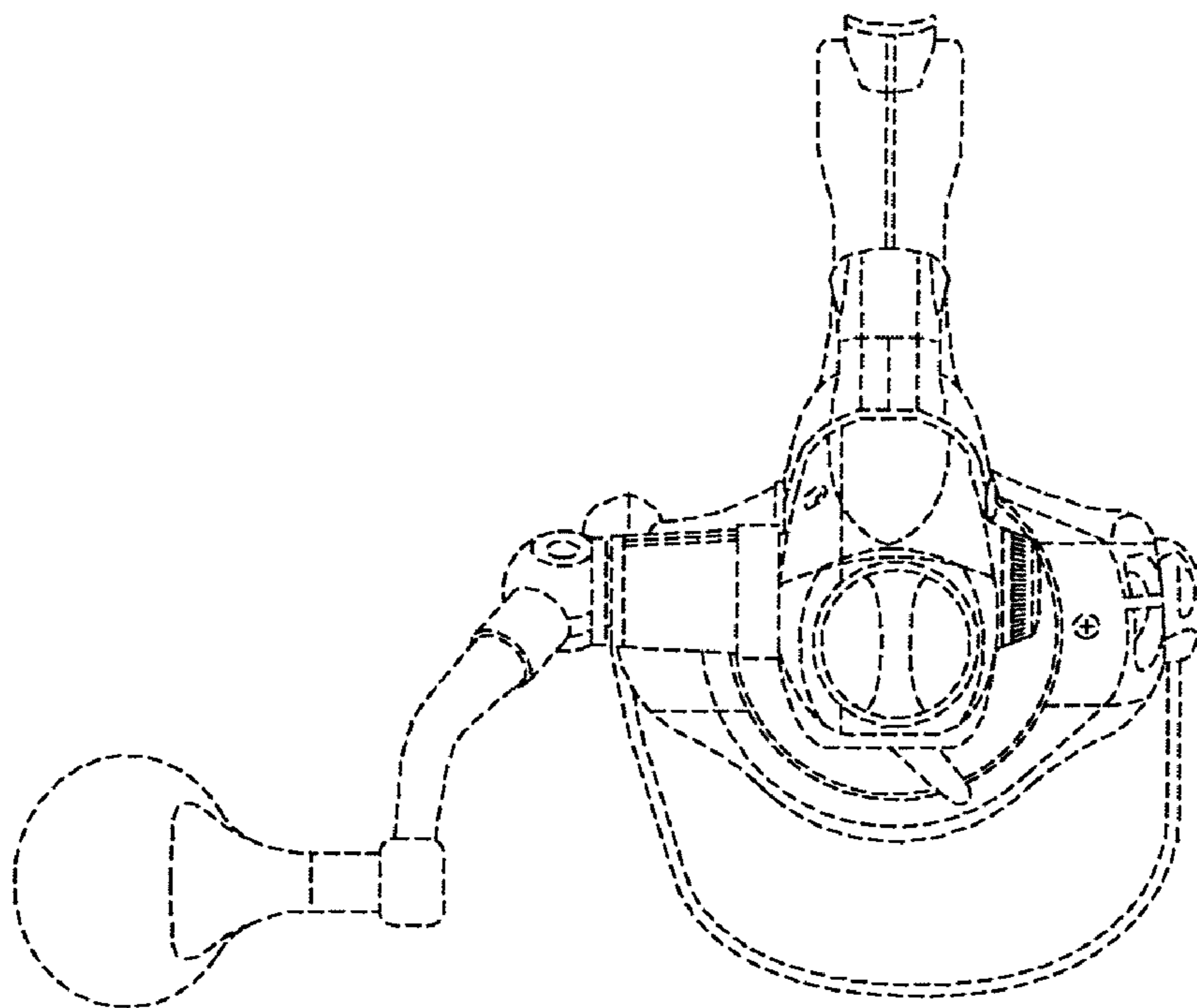


FIG. 6

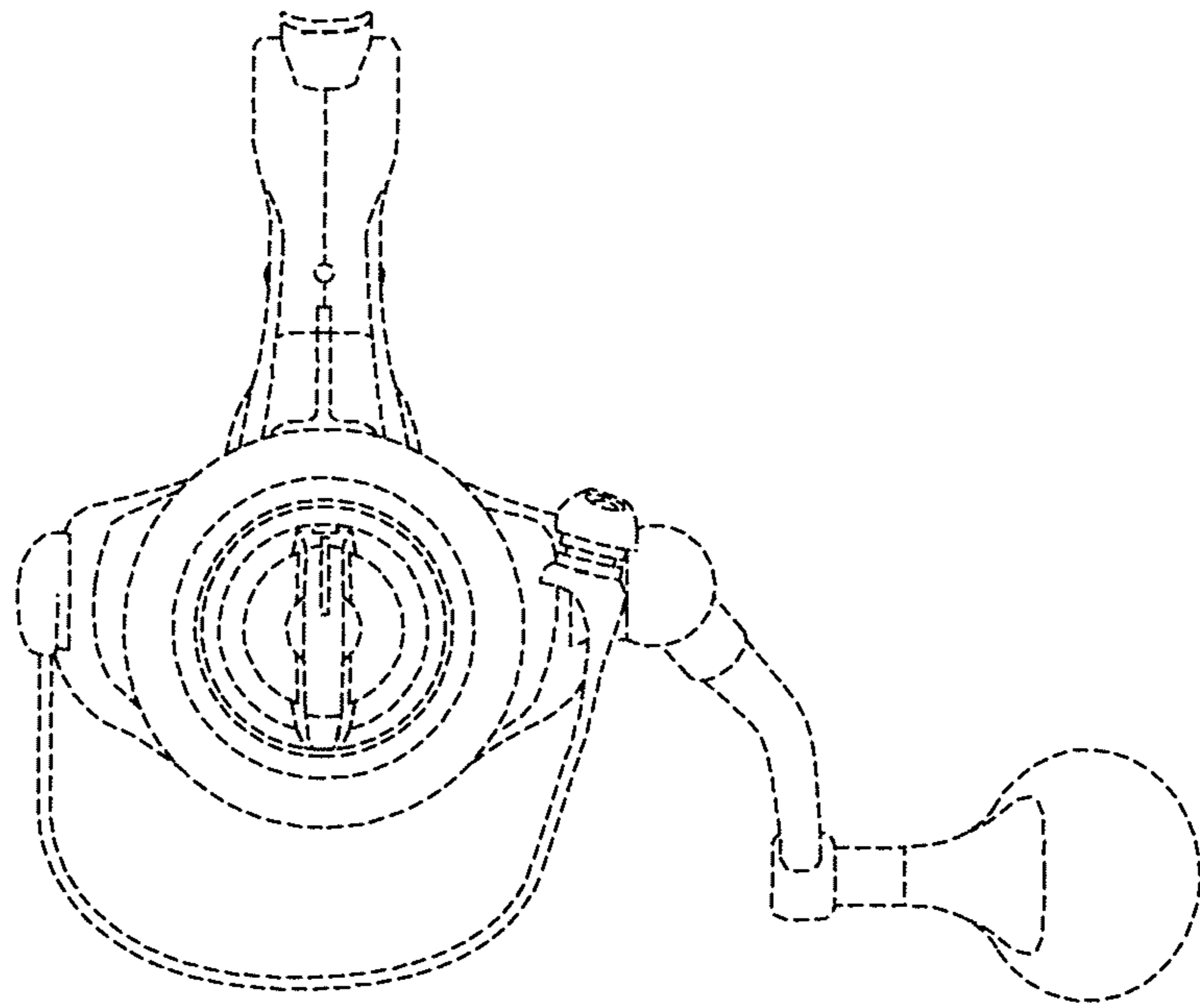


FIG. 7

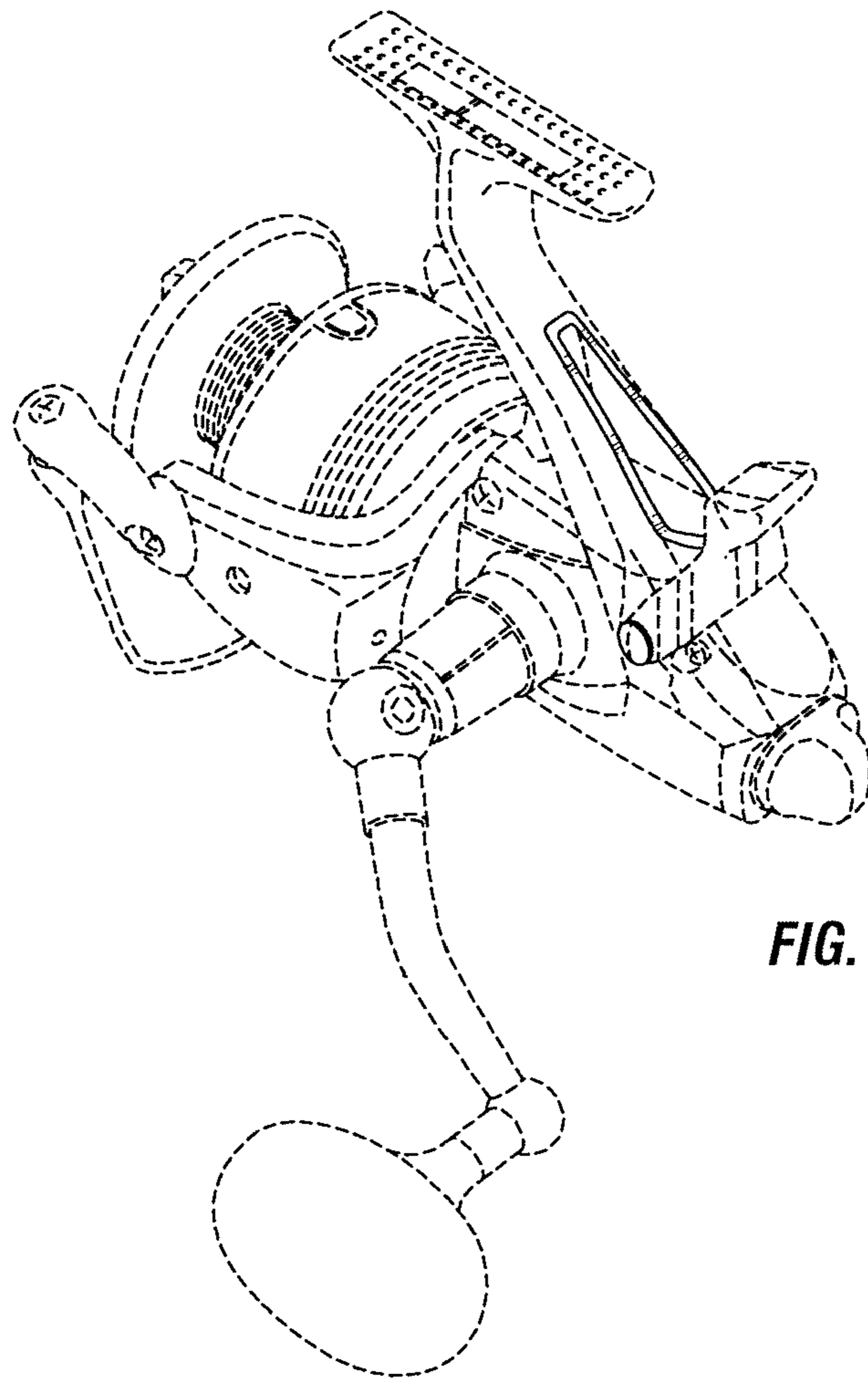


FIG. 8

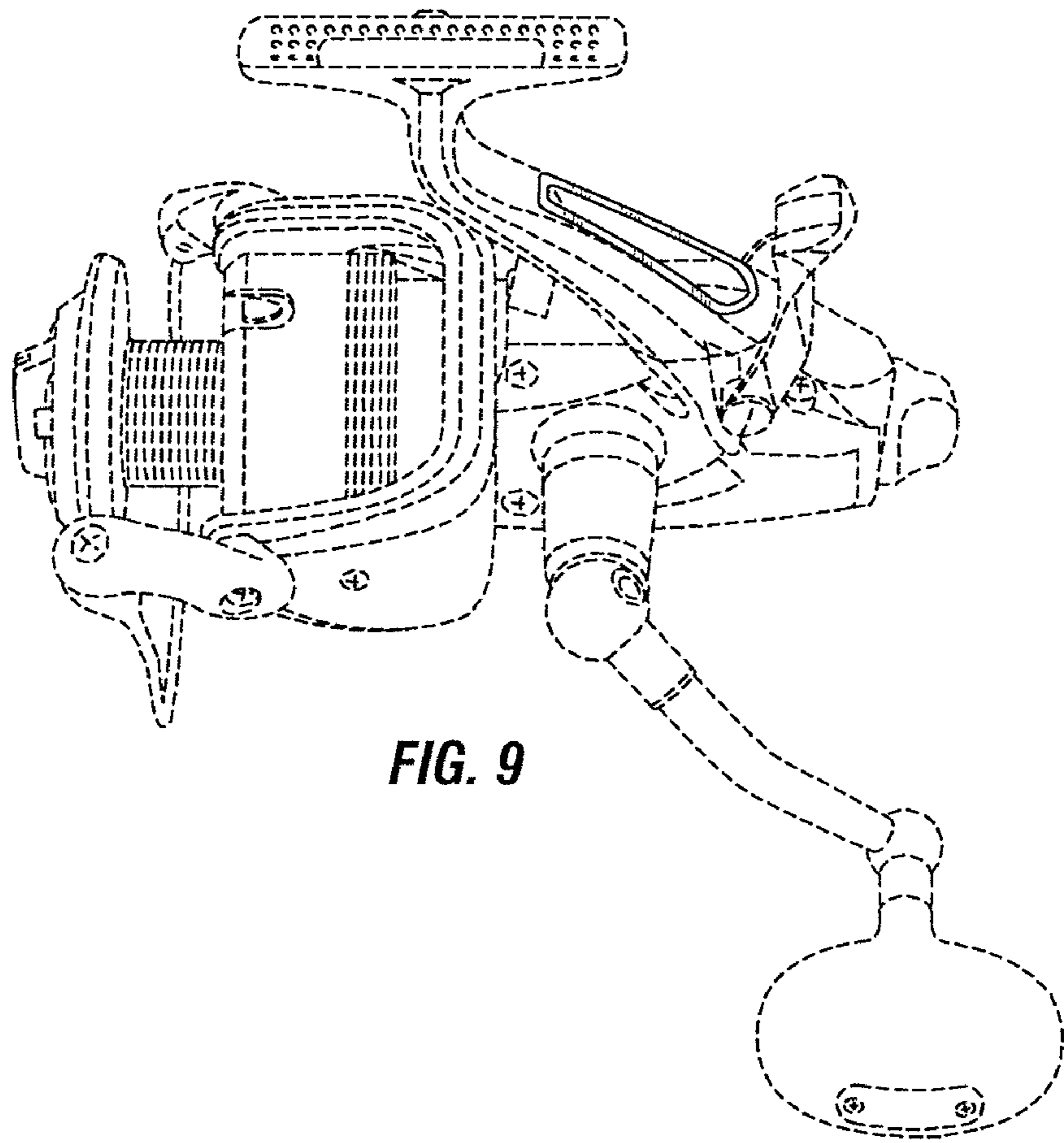


FIG. 9

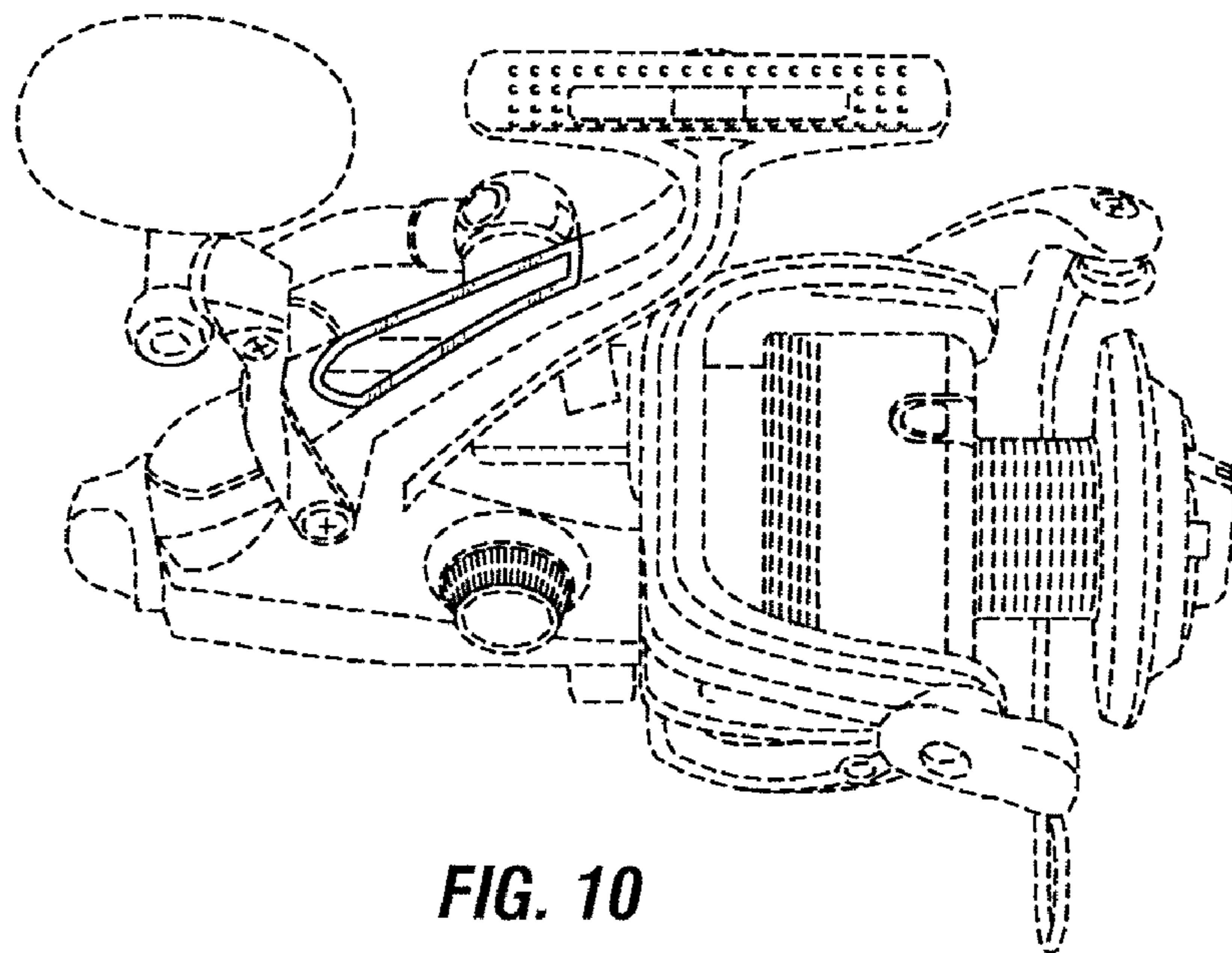


FIG. 10

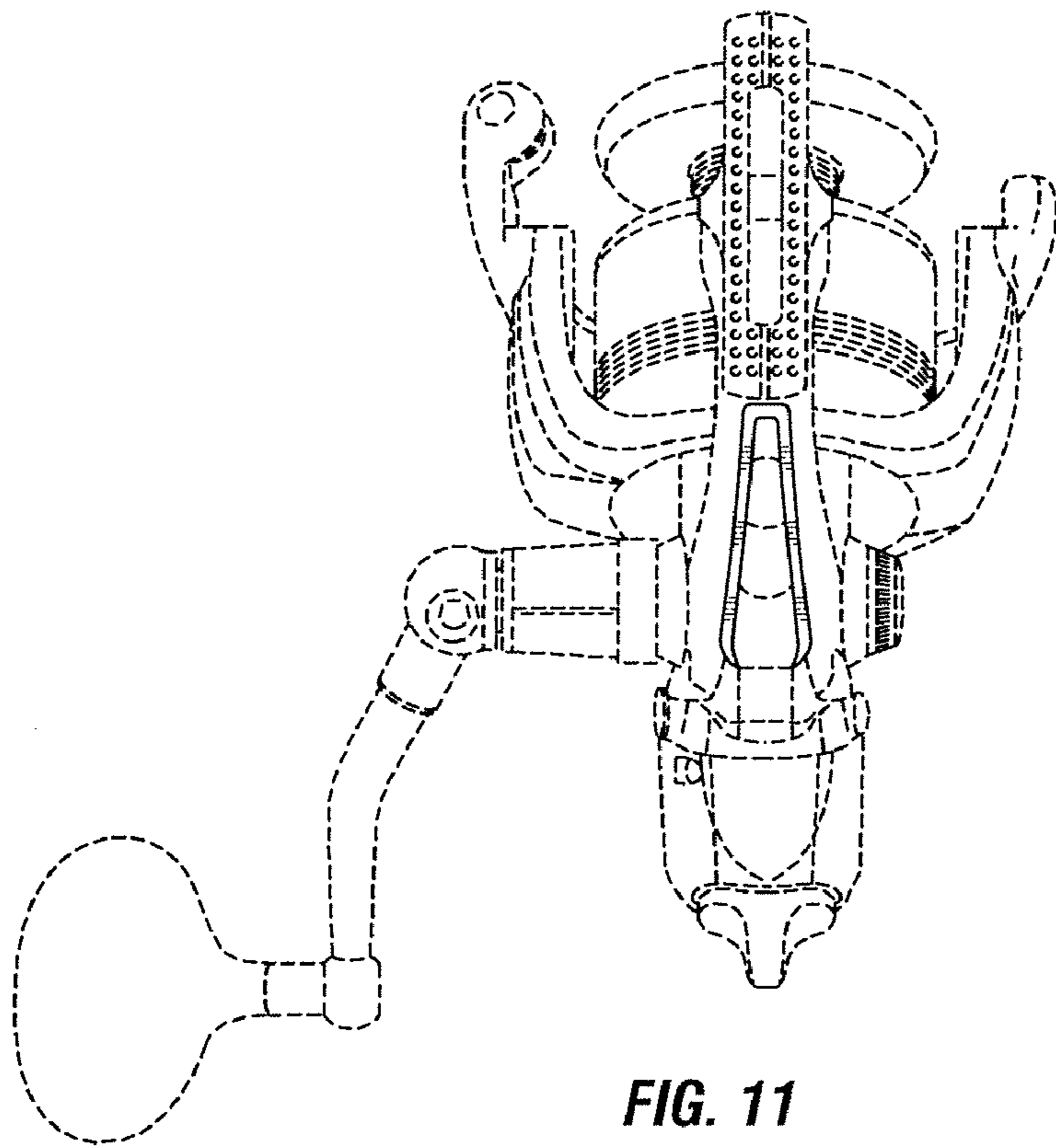


FIG. 11

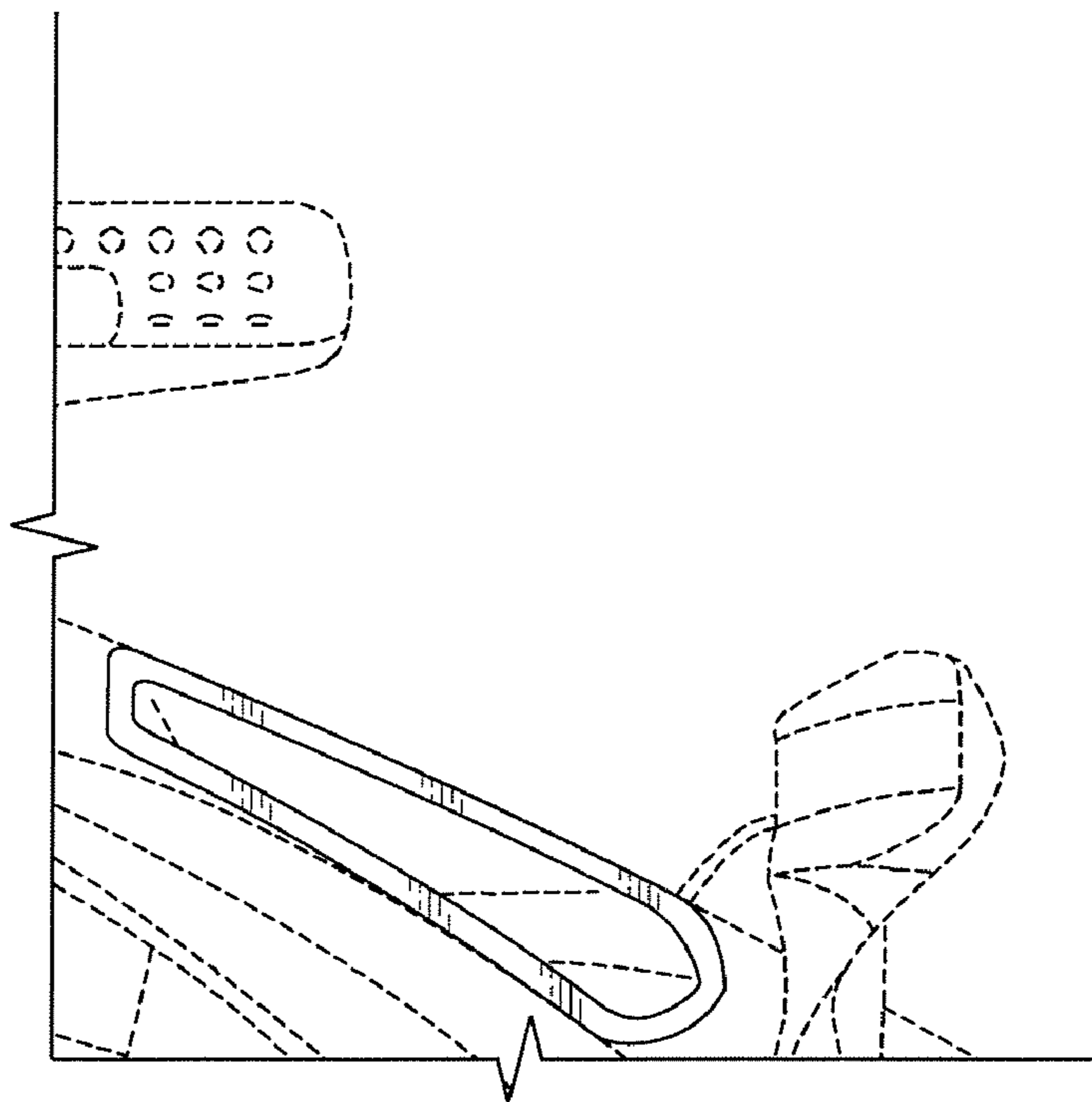


FIG. 12

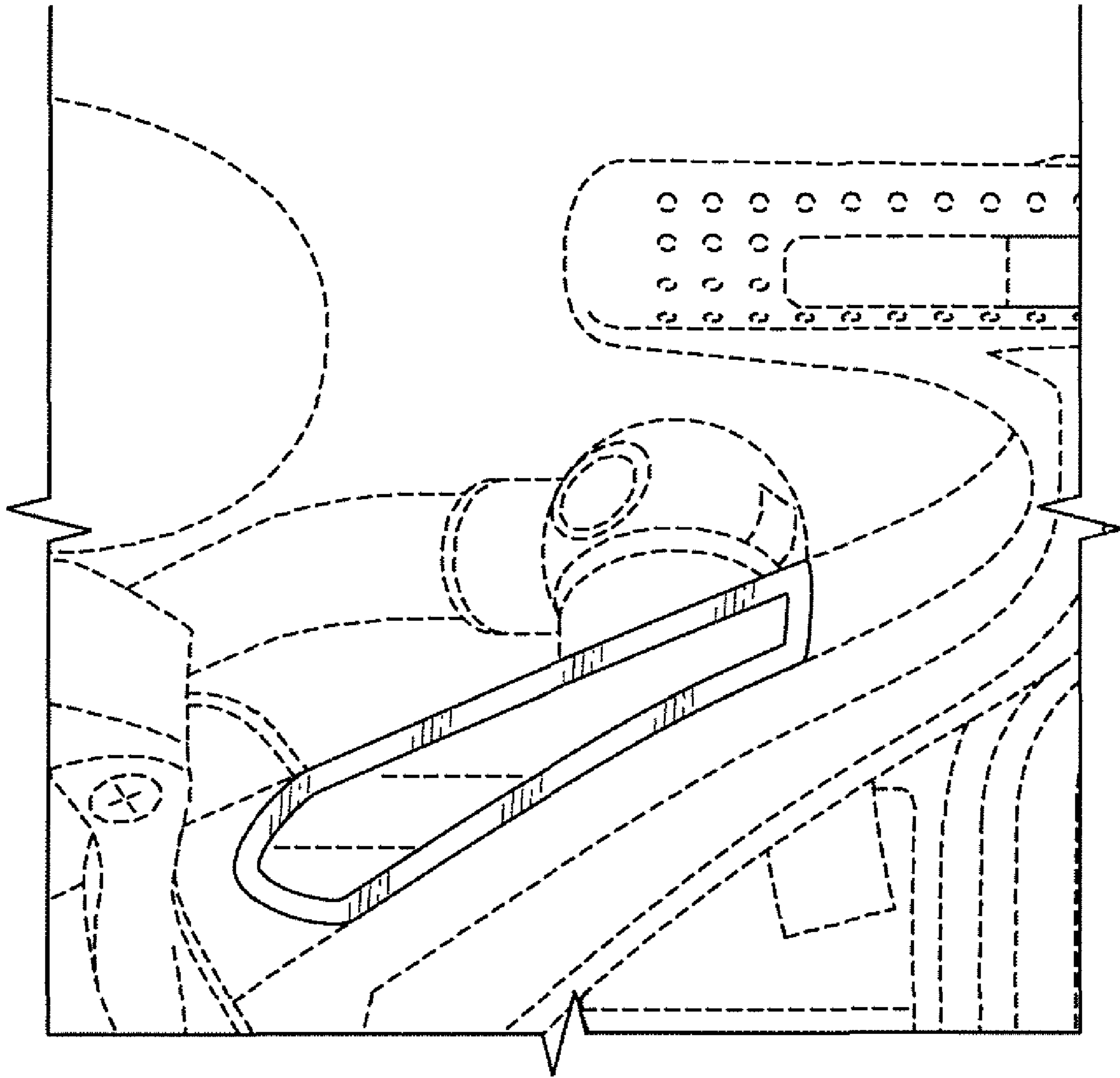


FIG. 13