



US00D624624S

(12) **United States Design Patent**
Tabuse et al.

(10) **Patent No.:** **US D624,624 S**
(45) **Date of Patent:** **** Sep. 28, 2010**

(54) **FISHING REEL PORTION**

(57) **CLAIM**

(75) Inventors: **Jun Tabuse**, Osaka (JP); **Masakazu Iwabuchi**, Osaka (JP)

The ornamental design for a fishing reel portion, as shown and described.

(73) Assignee: **Shimano Inc.**, Osaka (JP)

DESCRIPTION

(**) Term: **14 Years**

FIG. 1 is a perspective view of a fishing reel with a fishing reel portion in accordance with our new design;

(21) Appl. No.: **29/353,350**

FIG. 2 is a first side elevational view of the fishing reel with the fishing reel portion illustrated in FIG. 1;

(22) Filed: **Jan. 7, 2010**

FIG. 3 is a second side elevational view of the fishing reel portion illustrated in FIG. 1;

(30) **Foreign Application Priority Data**

FIG. 4 is a top plan view of the fishing reel with the fishing reel portion illustrated in FIG. 1;

Jul. 14, 2009 (JP) 2009-015998

FIG. 5 is a bottom plan view of the fishing reel with the fishing reel portion illustrated in FIG. 1;

(51) **LOC (9) Cl.** **22-05**

(52) **U.S. Cl.** **D22/141**

(58) **Field of Classification Search** D22/141,
D22/137-140; 43/19-22; 242/223-224,
242/230, 283, 310-316, 322

FIG. 6 is a first end elevational view of the fishing reel with the fishing reel portion illustrated in FIG. 1;

See application file for complete search history.

FIG. 7 is a second end elevational view of the fishing reel with the fishing reel portion illustrated in FIG. 1;

(56) **References Cited**

FIG. 8 is another perspective view of the fishing reel with the fishing reel portion illustrated in FIG. 1, but with an operating part being moved to an alternate position;

U.S. PATENT DOCUMENTS

D294,621 S	3/1988	Myojo	
D294,622 S	3/1988	Myojo	
D300,237 S	3/1989	Myojo	
D329,907 S	9/1992	Yui	
D561,871 S *	2/2008	Iwabuchi D22/141
D574,461 S *	8/2008	Nago D22/141
7,413,138 B2 *	8/2008	Kitajima et al. 242/311
D579,513 S *	10/2008	Iwabuchi D22/141
D593,638 S *	6/2009	Nago D22/141

FIG. 9 is still yet another perspective view of the fishing reel with the fishing reel portion illustrated in FIG. 1, but with the operating part being moved to the alternate position as illustrated in FIG. 8; and

FOREIGN PATENT DOCUMENTS

JP D1078382 7/2000

FIG. 10 is a side elevational view, similar to FIG. 3, of the fishing reel with the fishing reel portion illustrated in FIG. 1, but with the operating part being moved to the alternate position as illustrated in FIGS. 9 and 10; and,

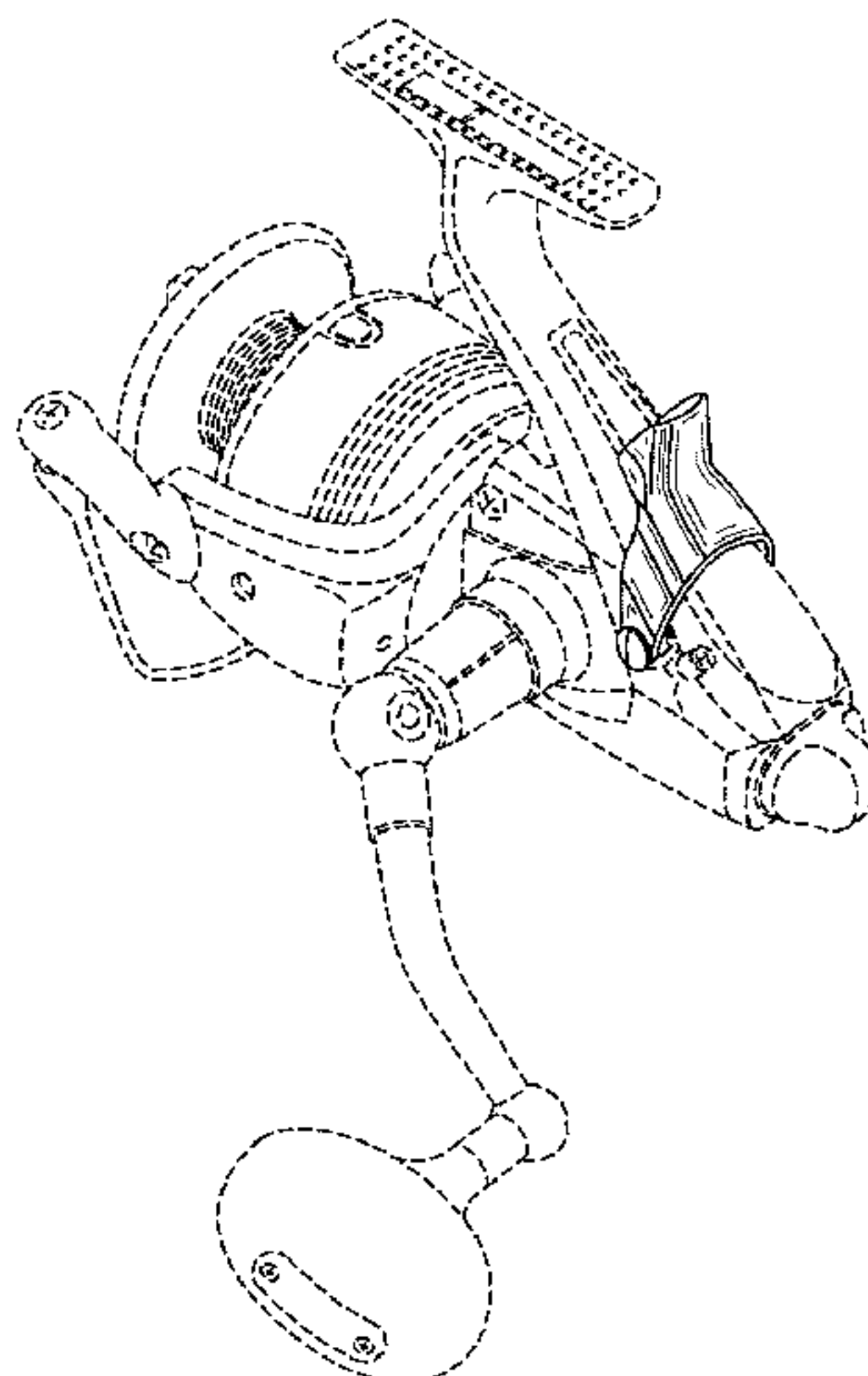
* cited by examiner

FIG. 11 is a top plan view, similar to FIG. 4, of the fishing reel with the fishing reel portion illustrated in FIG. 1, but with the operating part being moved to the alternate position as illustrated in FIGS. 8 to 10.

The broken line illustration of the environmental structure (the remaining structure of the fishing reel) in the drawings is not part of the claimed design.

Primary Examiner—Catherine R Oliver
(74) *Attorney, Agent, or Firm*—Global IP Counselors, LLP

1 Claim, 6 Drawing Sheets



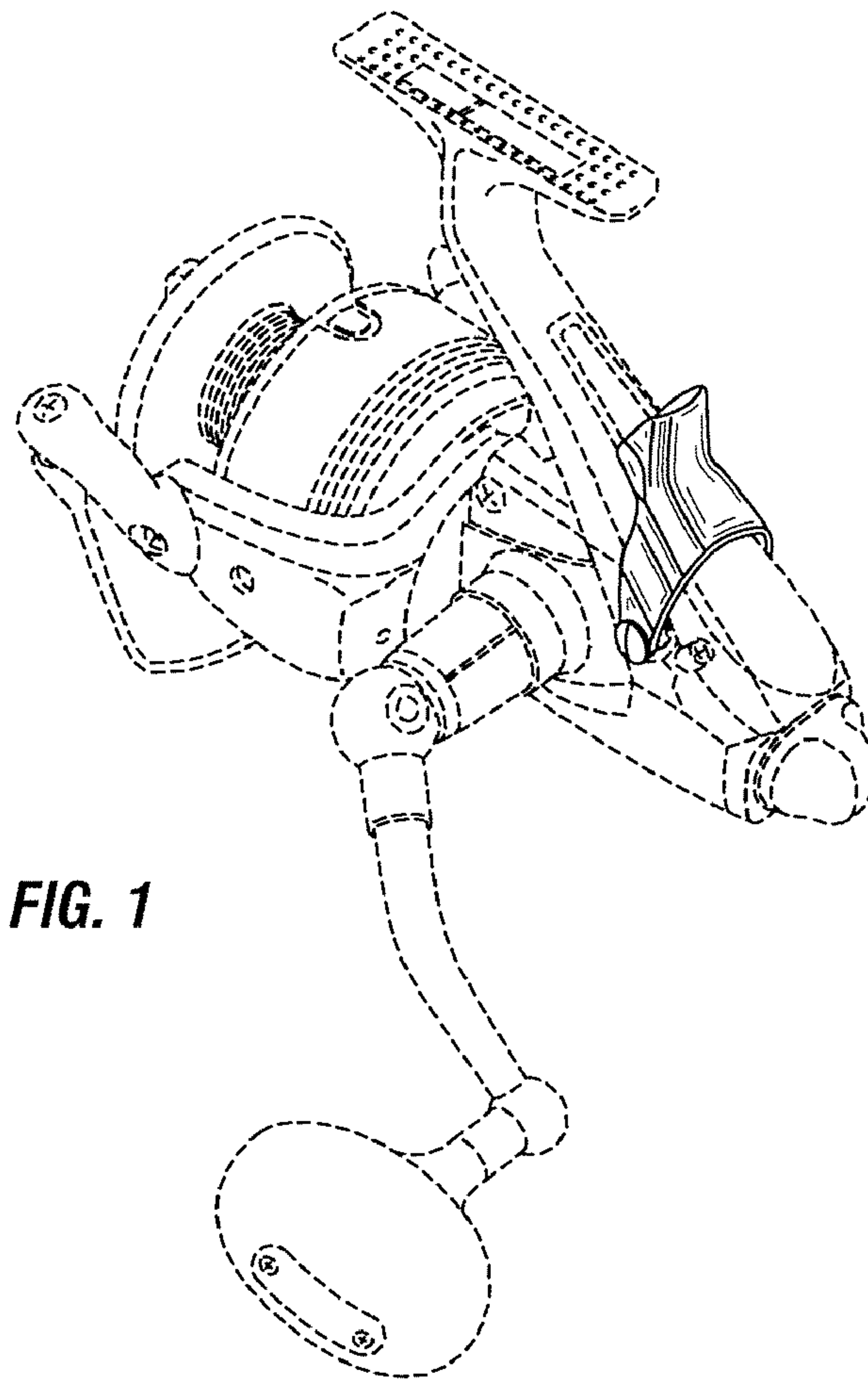


FIG. 1

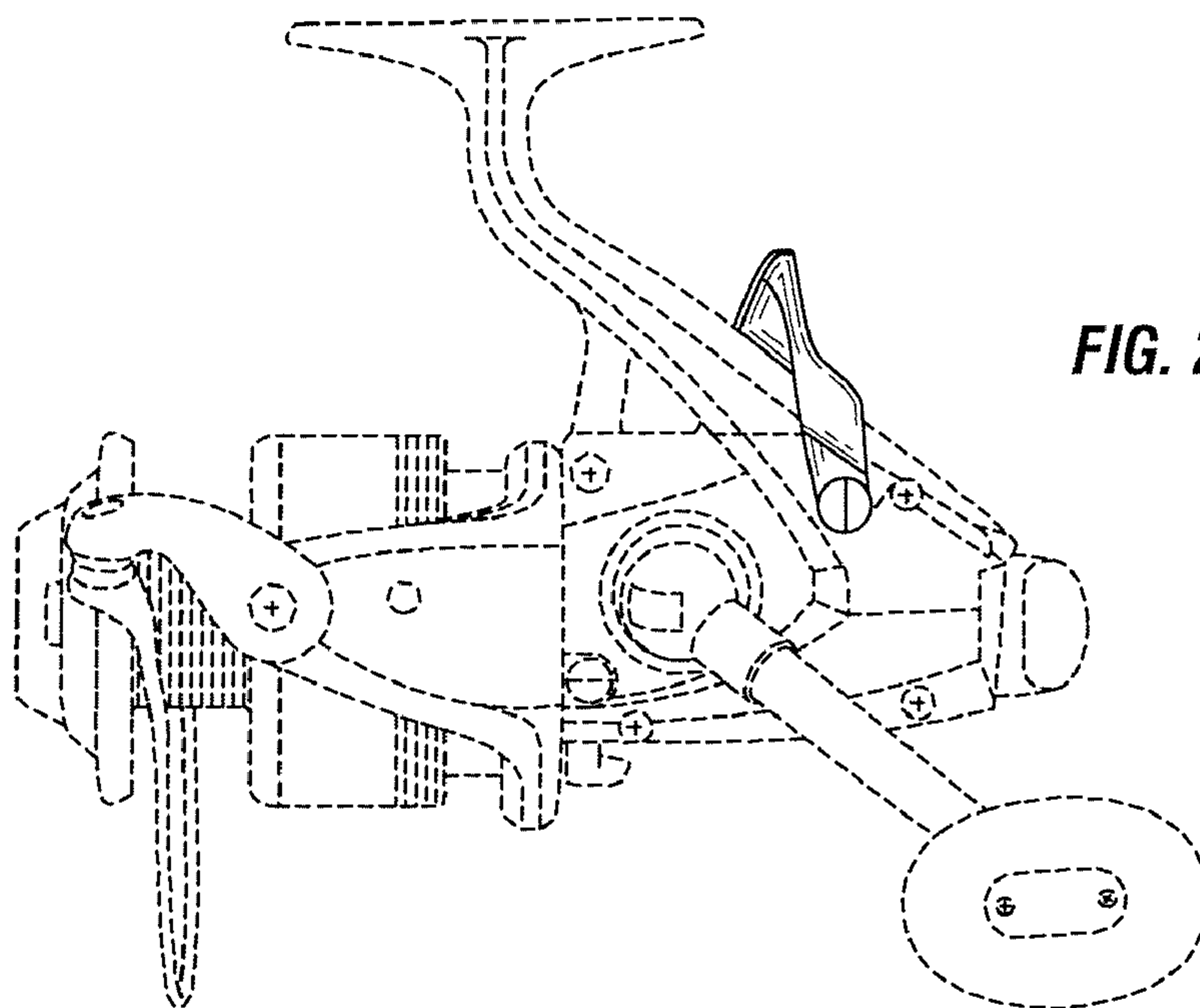


FIG. 2

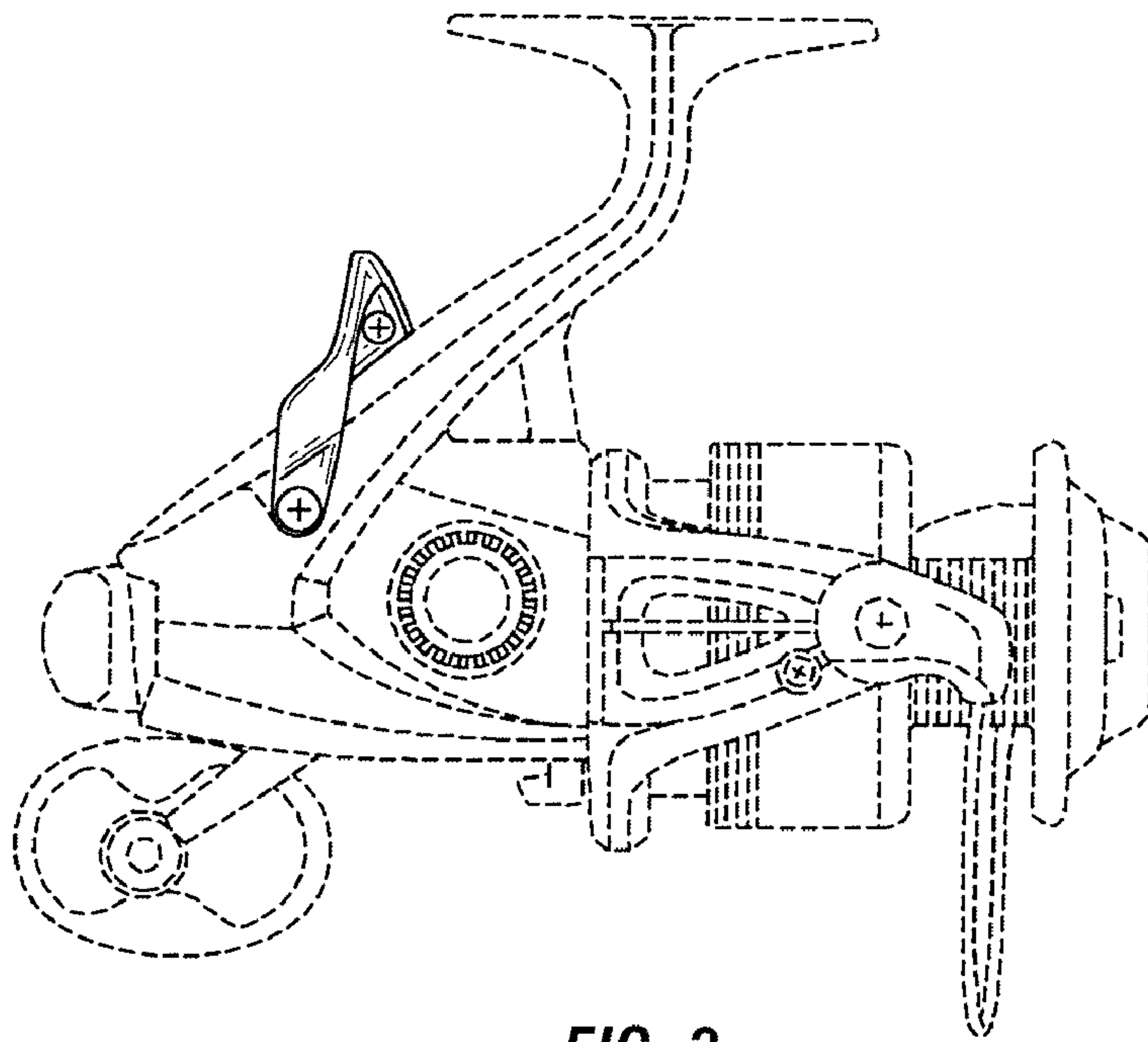


FIG. 3

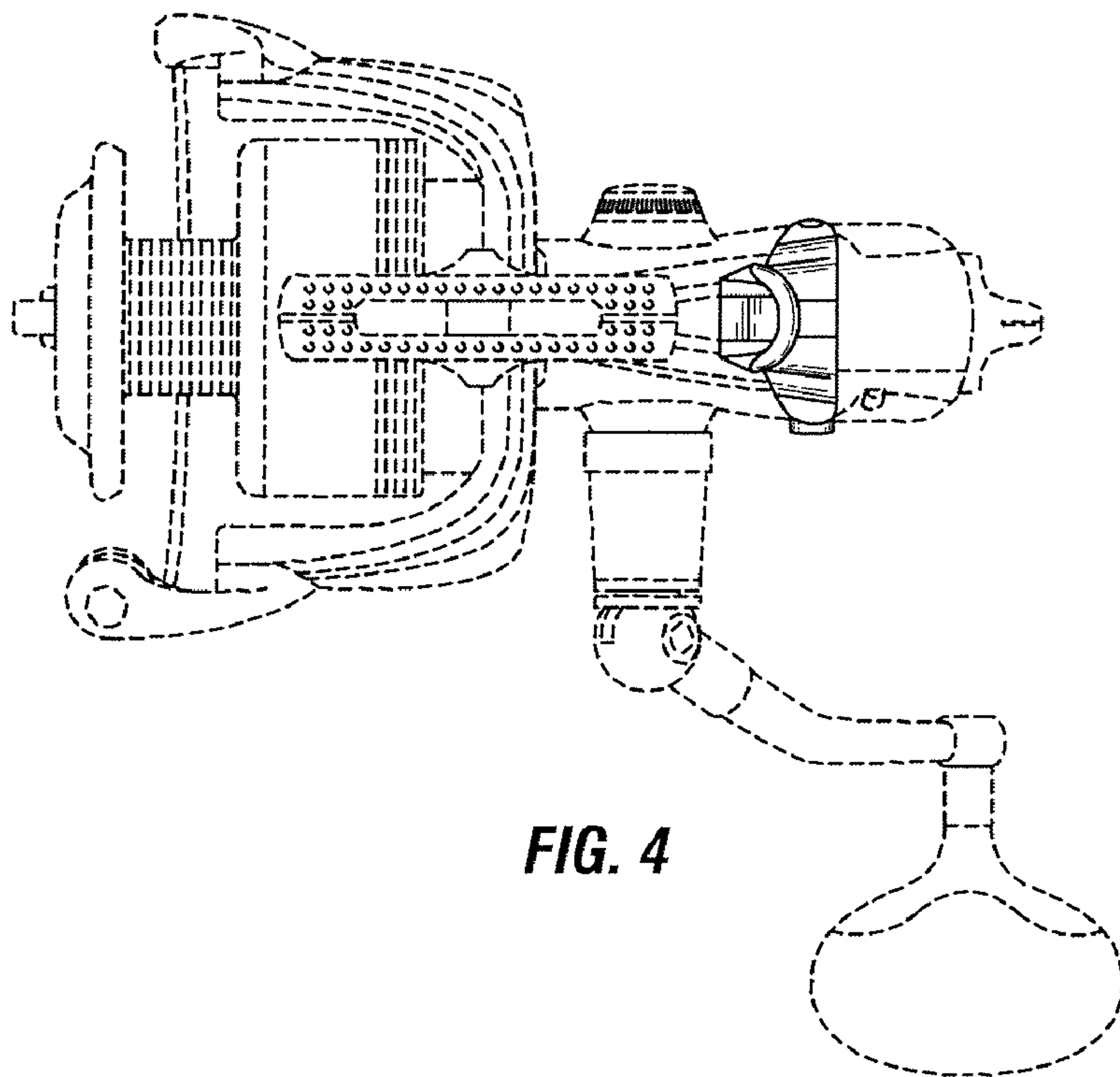


FIG. 4

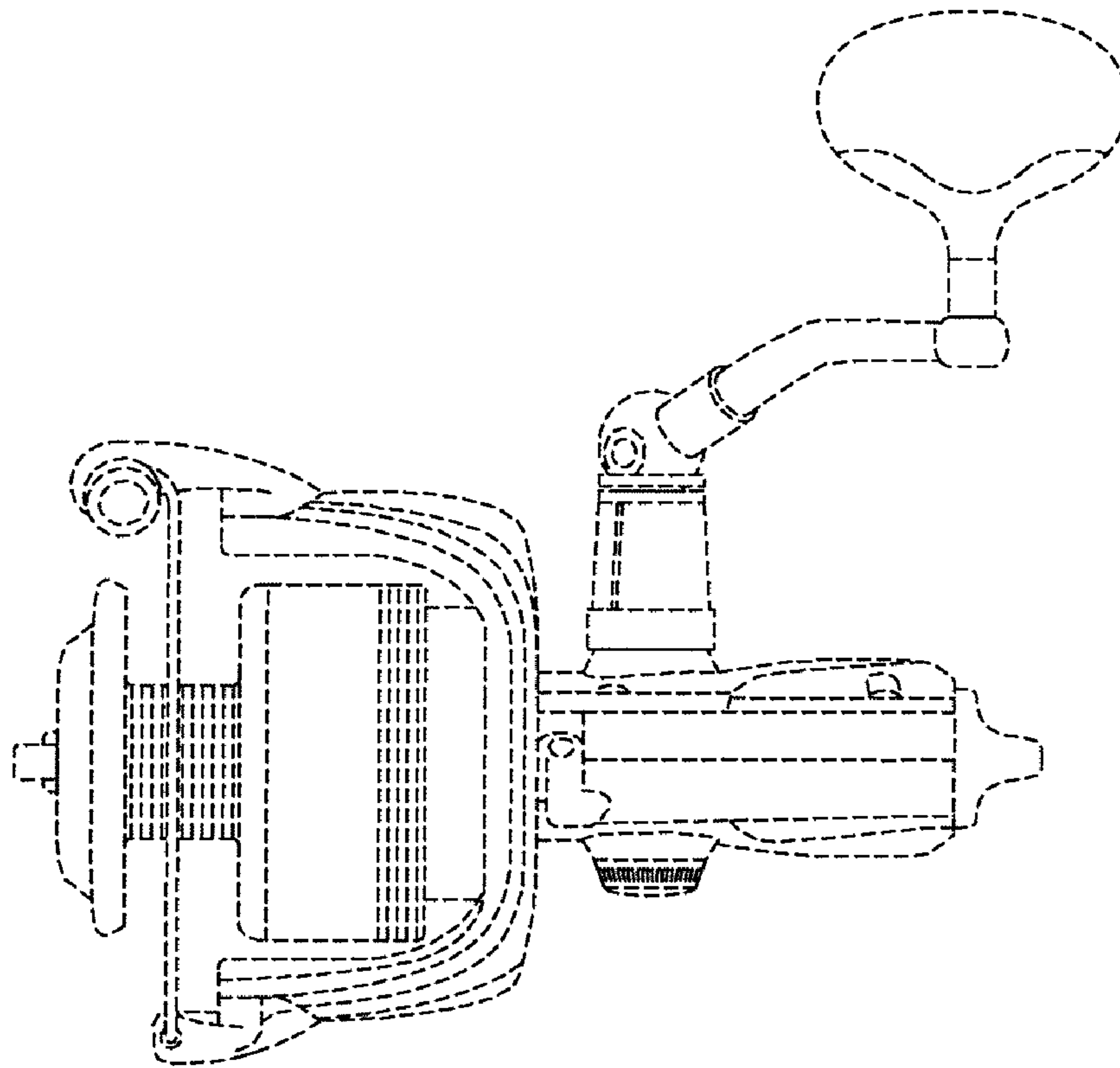


FIG. 5

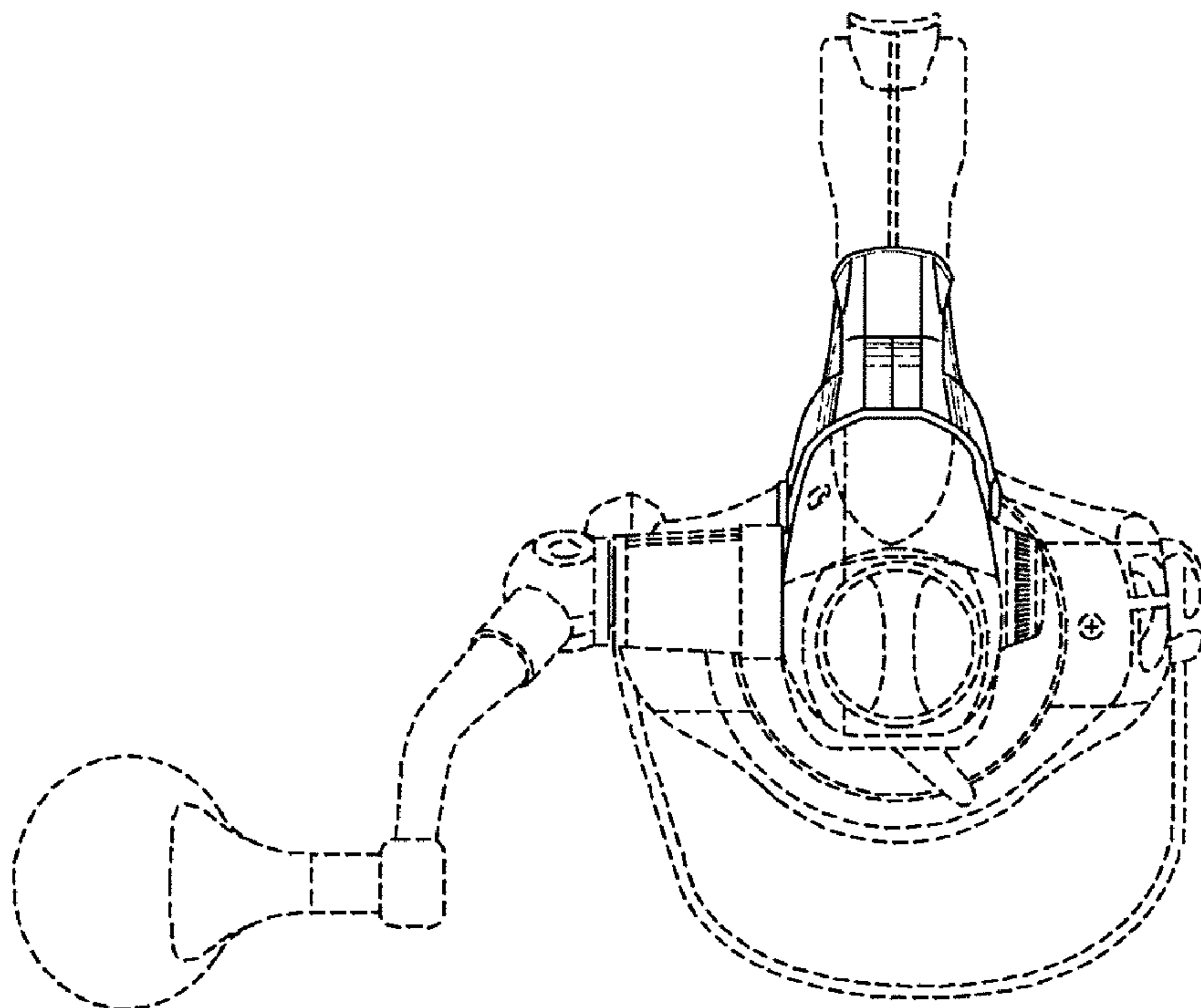


FIG. 6

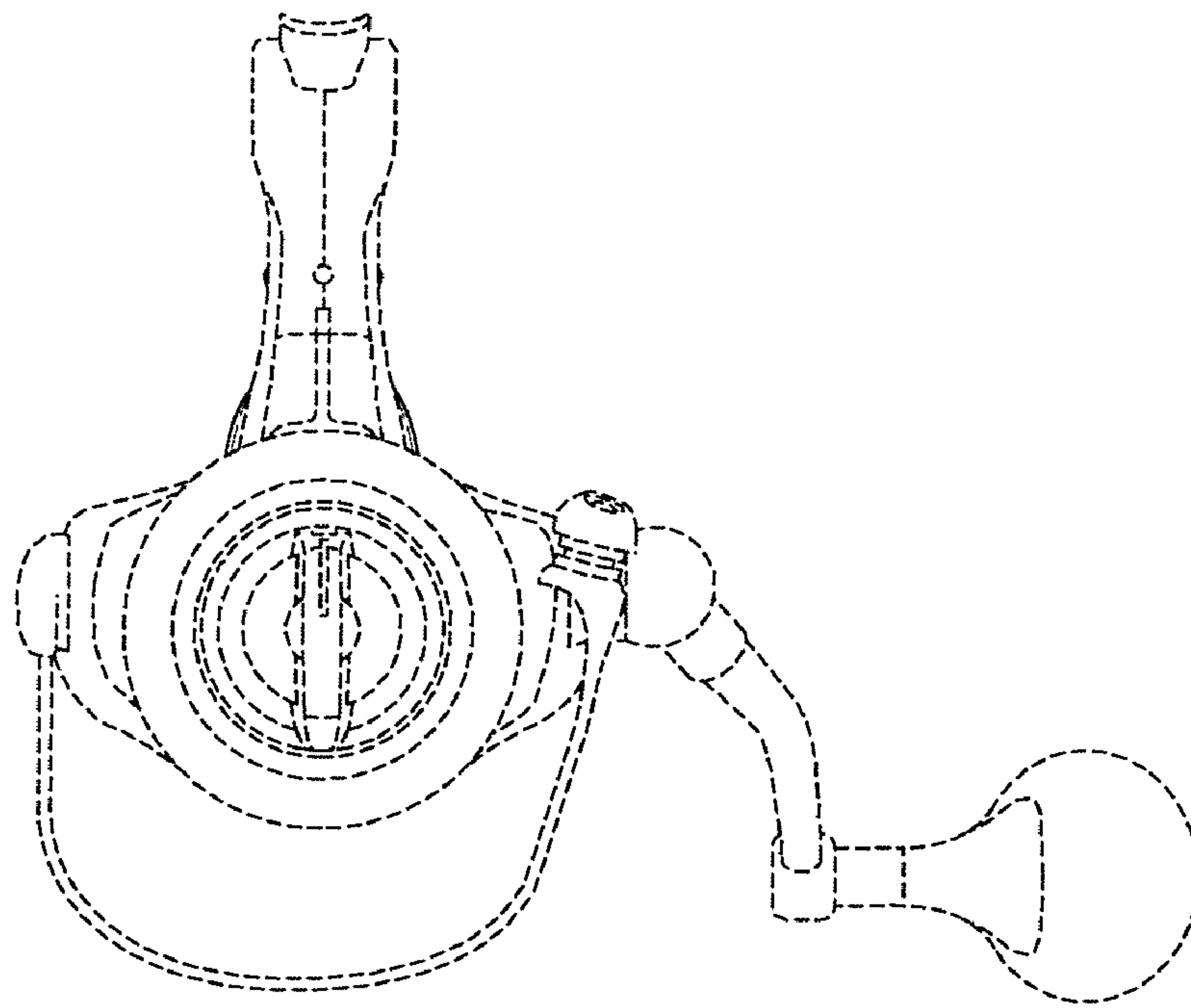


FIG. 7

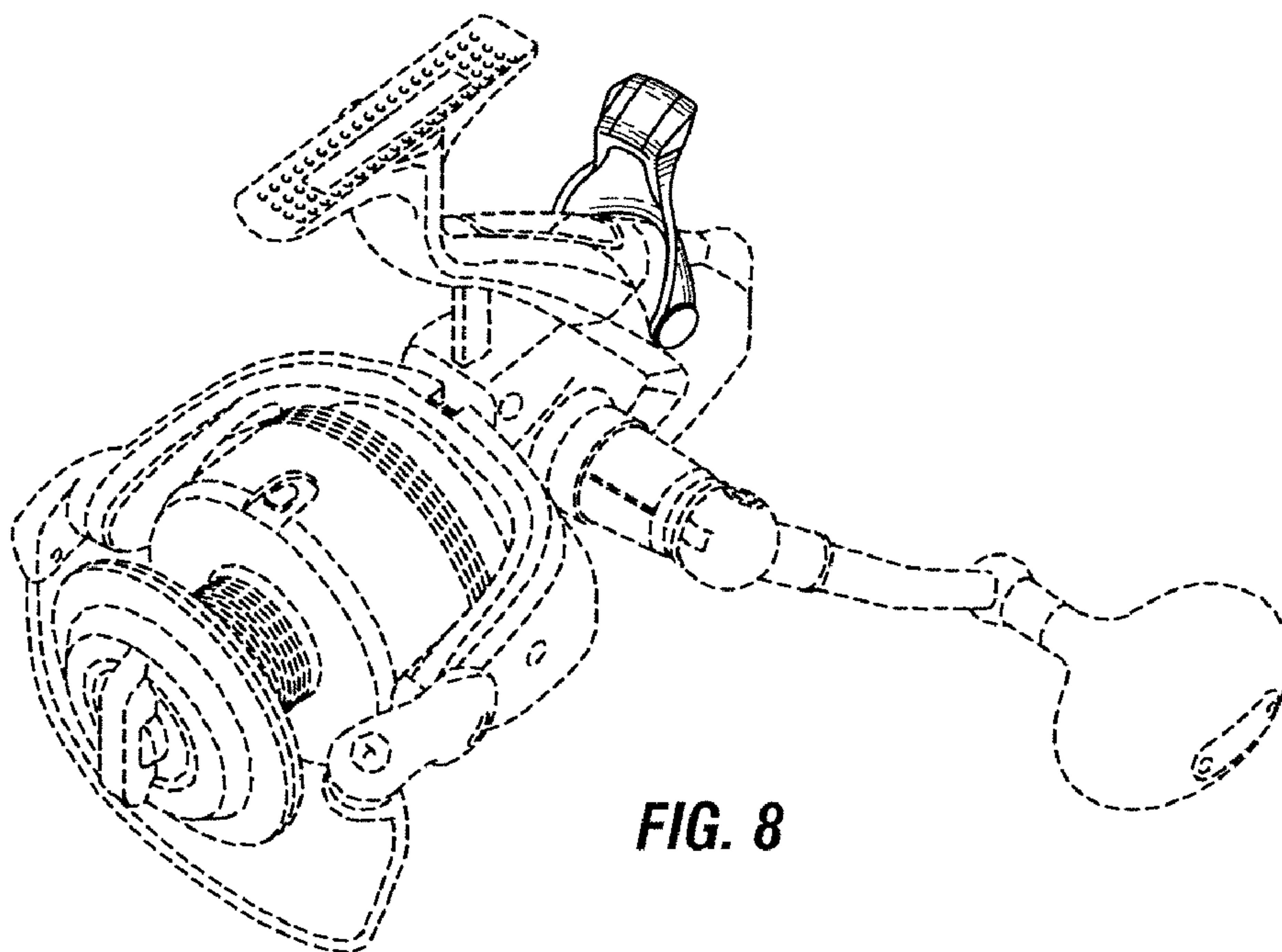


FIG. 8

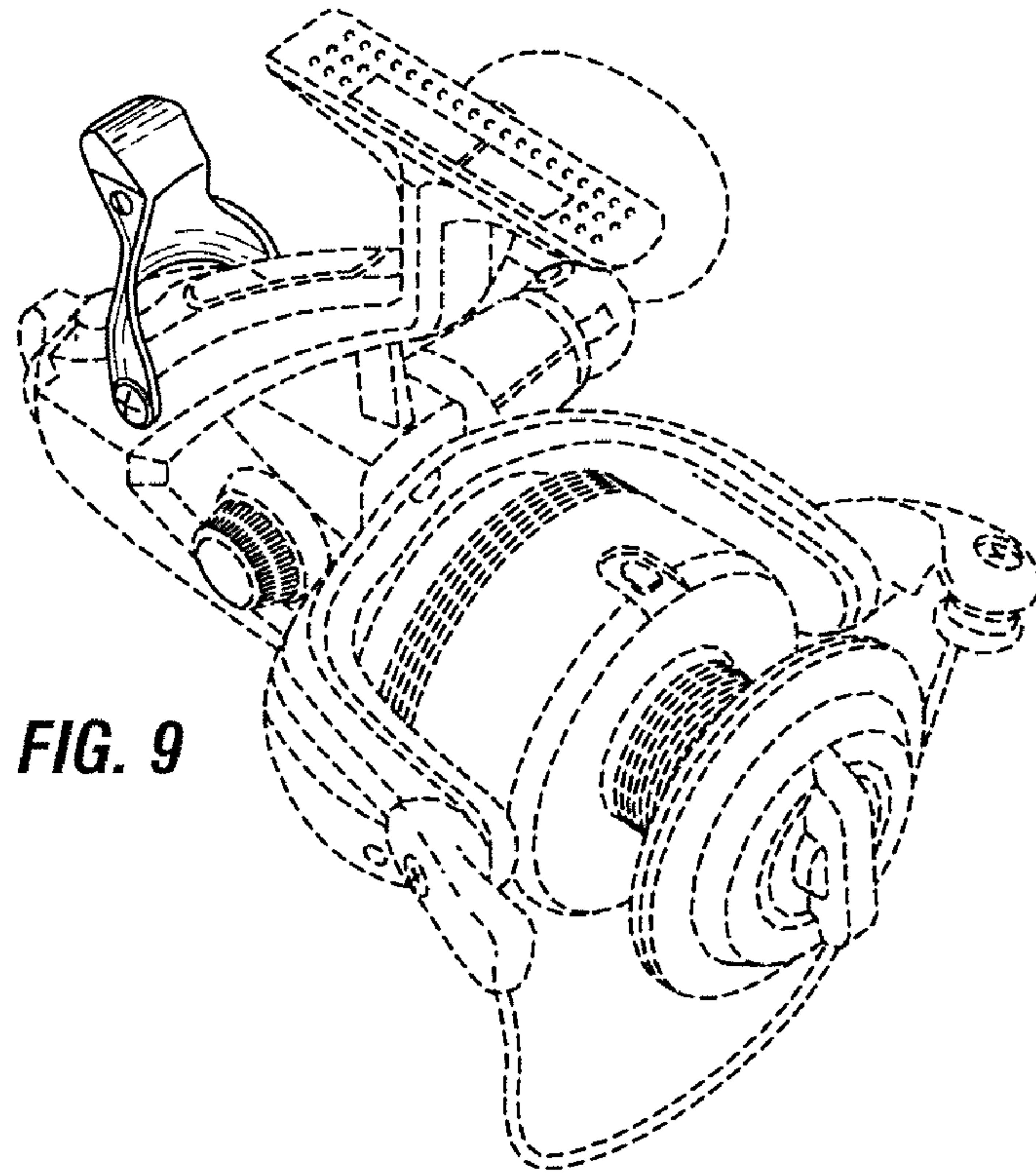


FIG. 9

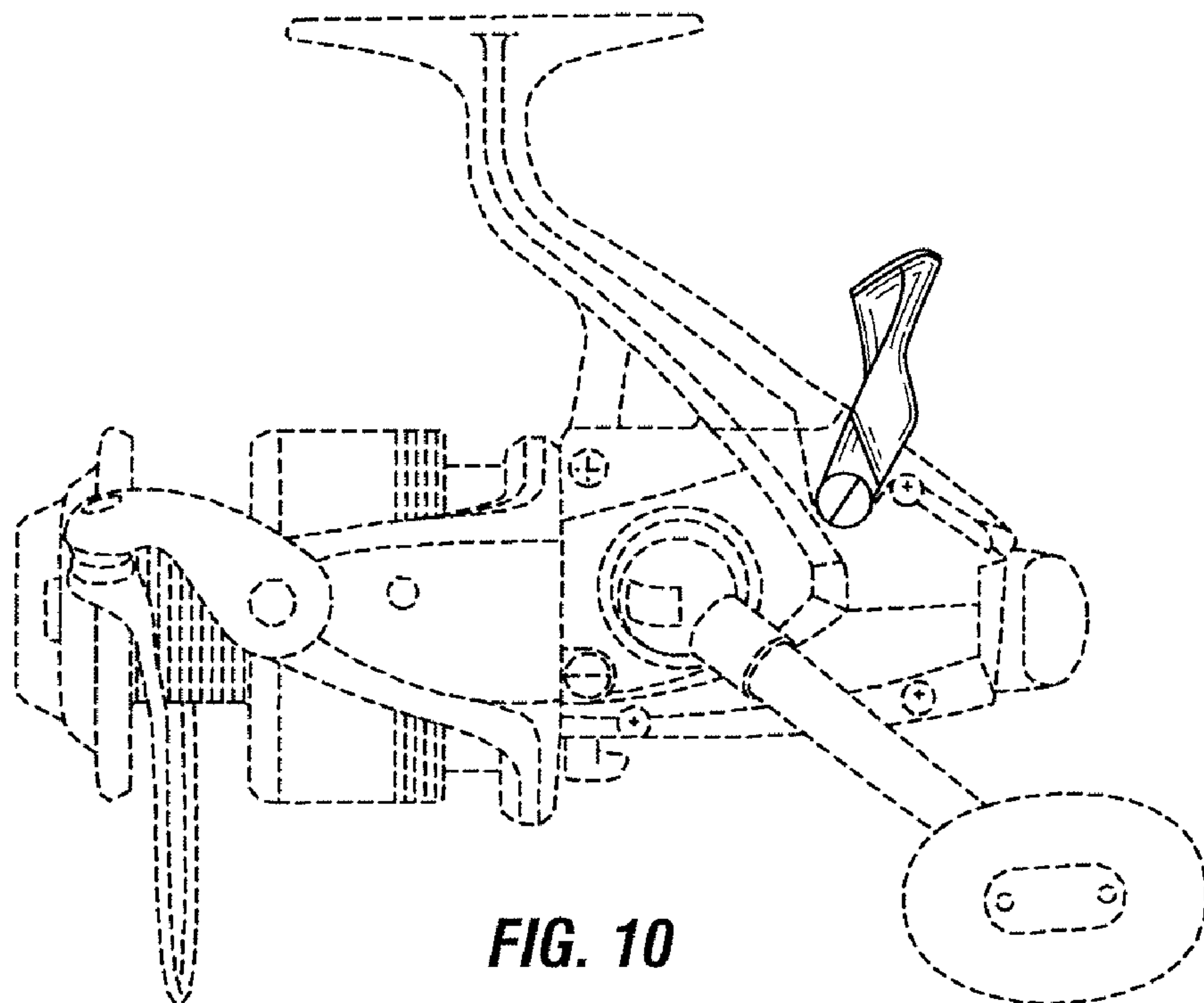


FIG. 10

