

US00D624619S

(12) **United States Design Patent**
Gaffney

(10) **Patent No.:** **US D624,619 S**

(45) **Date of Patent:** **** Sep. 28, 2010**

(54) **GOLF CLUB HEAD COVER**

(76) Inventor: **John Travis Gaffney**, 606 S. Hacienda Dr., Tempe, AZ (US) 85281

(**) Term: **14 Years**

(21) Appl. No.: **29/334,450**

(22) Filed: **Mar. 26, 2009**

Related U.S. Application Data

(63) Continuation-in-part of application No. 12/359,011, filed on Jan. 23, 2009, which is a continuation-in-part of application No. 12/079,839, filed on Mar. 28, 2008.

(51) **LOC (9) Cl.** **21-02**

(52) **U.S. Cl.** **D21/754**

(58) **Field of Classification Search** D21/754;
150/160

See application file for complete search history.

(56) **References Cited**

U.S. PATENT DOCUMENTS

2,035,529	A	3/1936	Bucklin
2,822,848	A	2/1958	Thorns
3,072,167	A	1/1963	Banas
3,426,815	A	2/1969	Ashlin et al.
3,478,799	A	11/1969	Hoyt
3,593,769	A	7/1971	Spears
3,831,652	A	8/1974	Hyden et al.
3,938,570	A	2/1976	Stewart
4,119,129	A	10/1978	Freiberg
4,368,768	A	1/1983	Cunko, Jr.
4,667,716	A	5/1987	Solheim et al.
4,898,222	A	2/1990	Gaffney
5,050,655	A	9/1991	Borenstein
5,195,568	A	3/1993	Cirone
5,284,194	A	2/1994	Gaffney
5,415,213	A	5/1995	Diener et al.
5,547,193	A	8/1996	Sander
RE35,596	E	8/1997	Diener et al.
5,738,157	A	4/1998	Gaffney
5,941,293	A	8/1999	Serpa
6,044,880	A	4/2000	Maeng

6,095,214	A	8/2000	Gaffney	
6,116,307	A	9/2000	Mangigian et al.	
6,192,950	B1	2/2001	Maeng	
D444,525	S *	7/2001	Bernath	D21/754
D469,835	S *	2/2003	Bradshaw	D21/754
6,772,811	B1	8/2004	Kim	
6,793,072	B2	9/2004	Maeng	
D565,682	S *	4/2008	Chen et al.	D21/754
D571,424	S *	6/2008	Cameron et al.	D21/754
D576,697	S *	9/2008	Chen	D21/754
D585,102	S *	1/2009	Chen	D21/754
D598,511	S *	8/2009	Bettinardi	D21/754

* cited by examiner

Primary Examiner—Mitchell I Siegel

(74) *Attorney, Agent, or Firm*—Booth Udall, PLC

(57) **CLAIM**

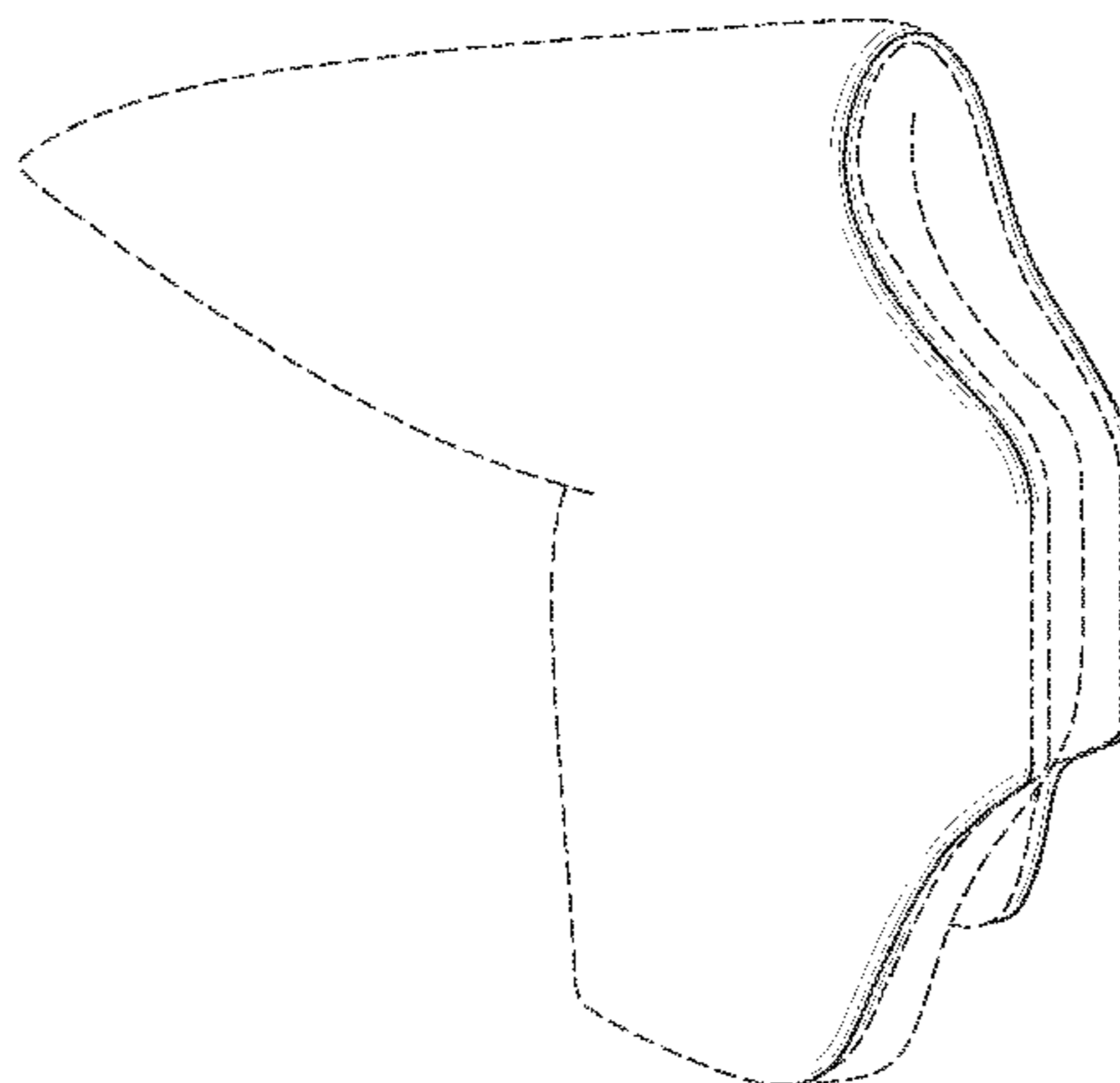
The ornamental design for a golf club head cover, as shown and described.

DESCRIPTION

FIG. 1 is a rear perspective view of a gold club head cover; FIG. 2 is a left side elevational view thereof, the undisclosed right side being a mirror image; FIG. 3 is a front view thereof; FIG. 4 is a rear view thereof; FIG. 5 is a top view thereof; FIG. 6 is a bottom view thereof; FIG. 7 is a rear perspective of a second embodiment of the golf club head cover shown in FIG. 1; FIG. 8 is a left side elevational view of FIG. 7, the undisclosed right side being a mirror image; FIG. 9 is a front view of FIG. 7; FIG. 10 is a rear view of FIG. 7; FIG. 11 is a top view of FIG. 7; and, FIG. 12 is a bottom view of FIG. 7.

Any broken lines shown in the Figures are for illustrative purposes only and form no part of the claimed design.

1 Claim, 8 Drawing Sheets



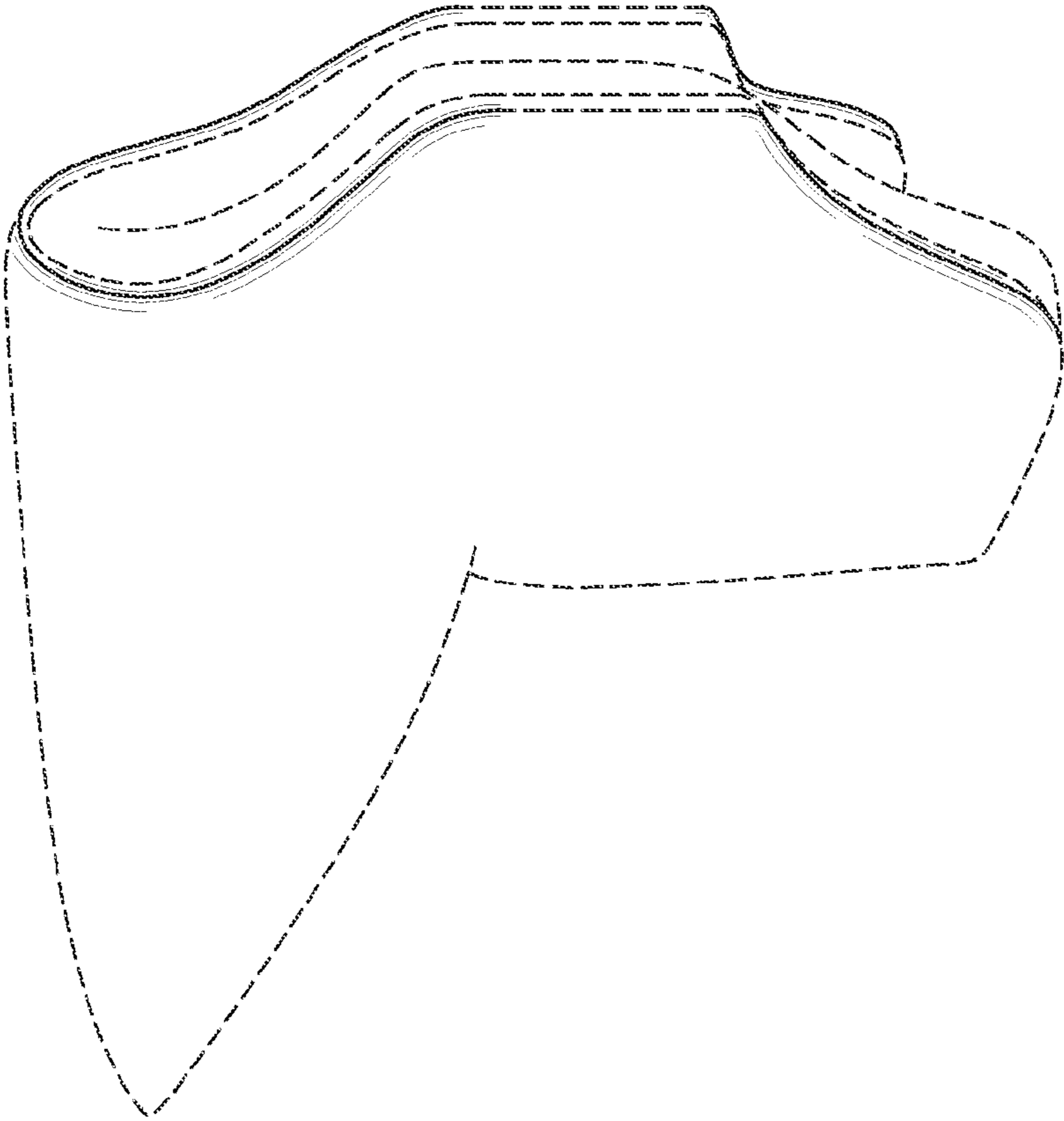


FIG. 1

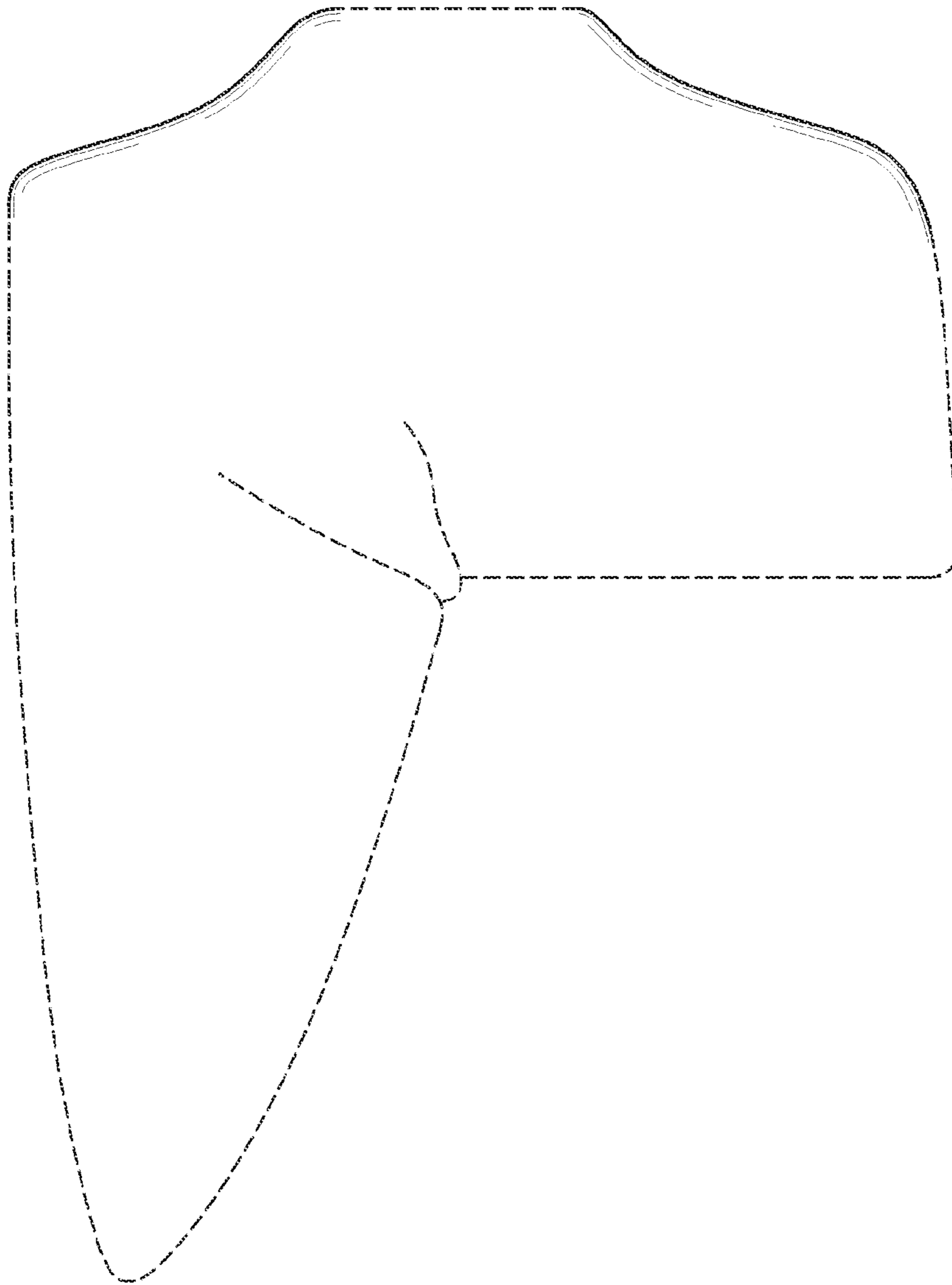


FIG. 2

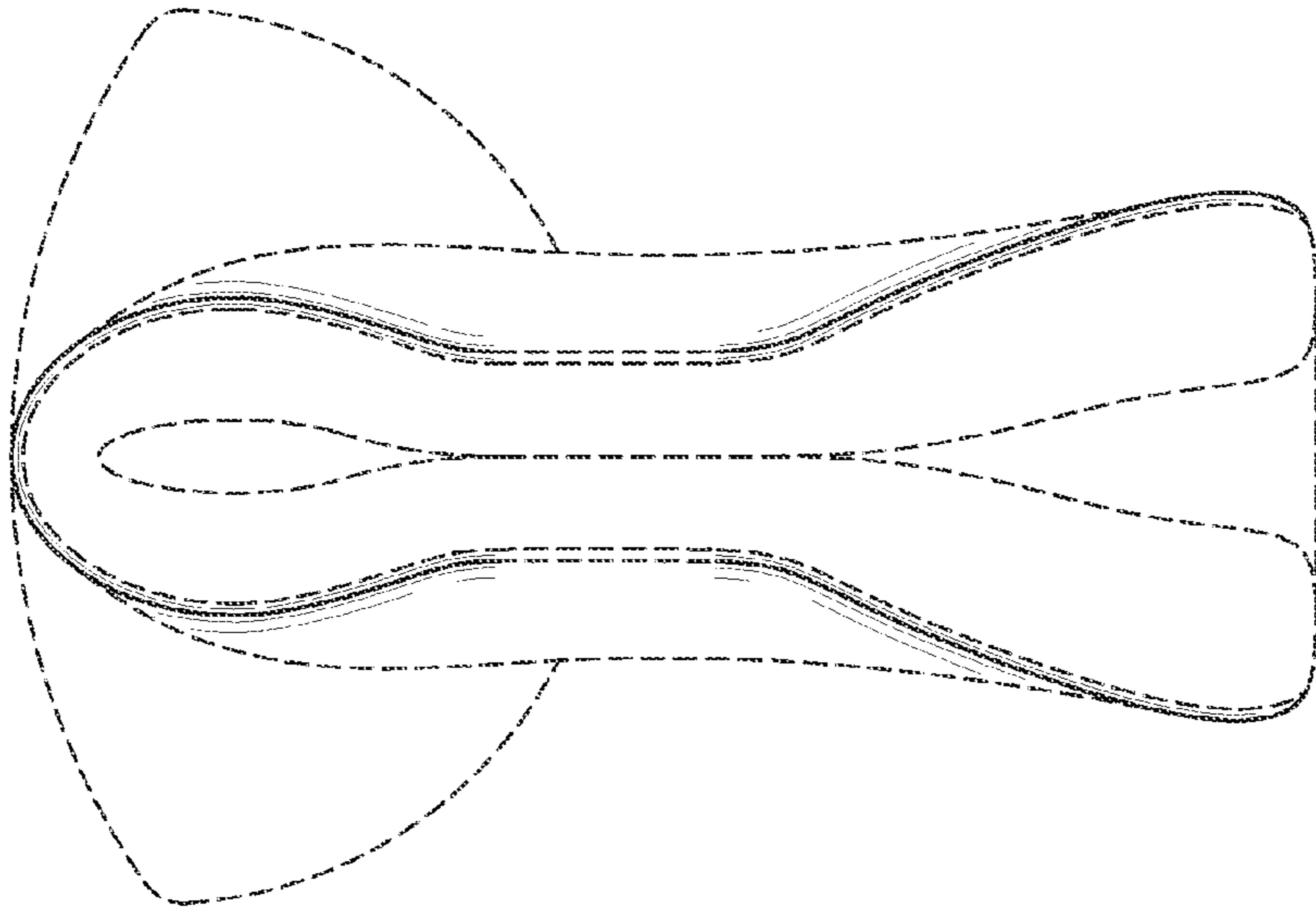


FIG. 3

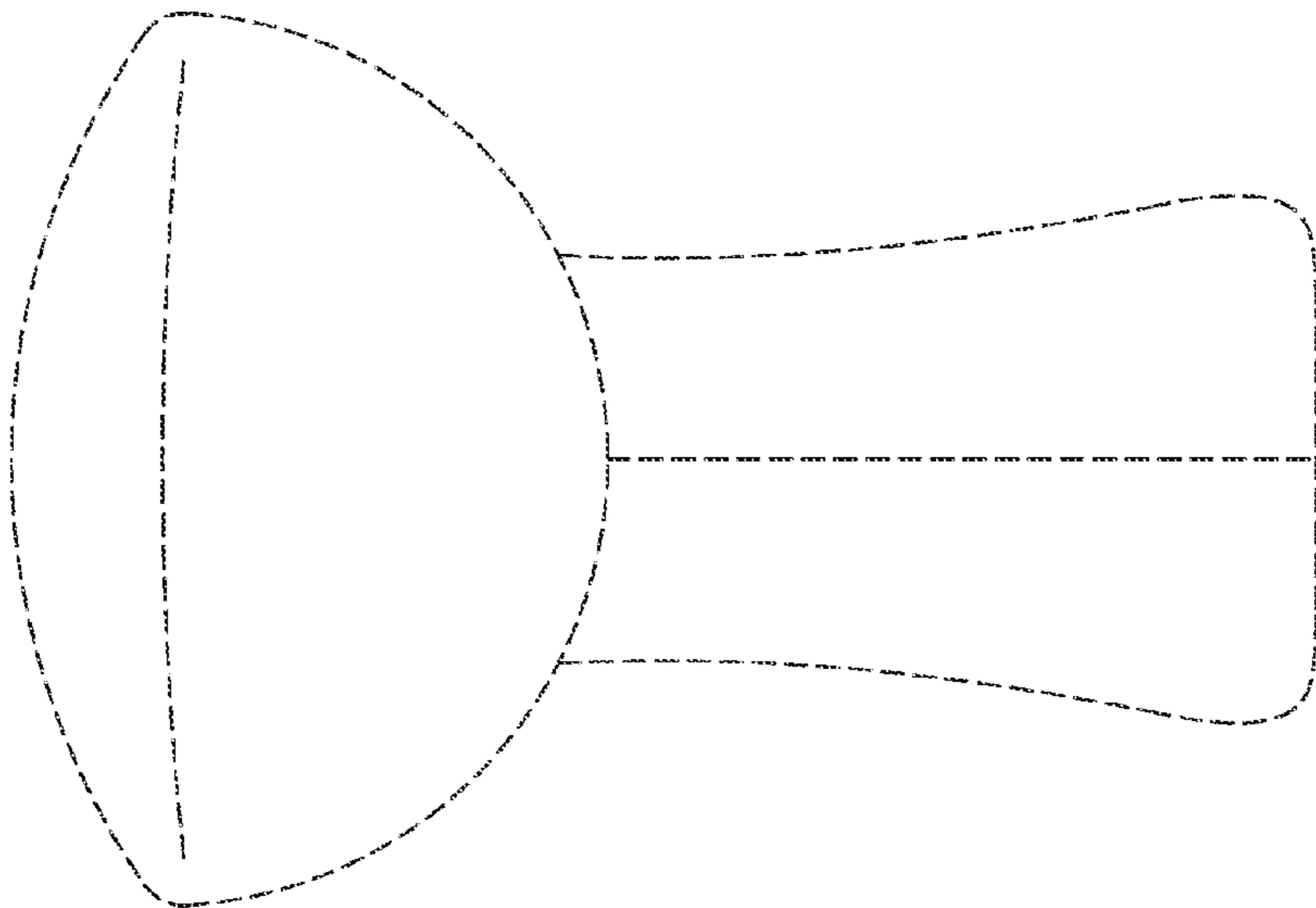


FIG. 4

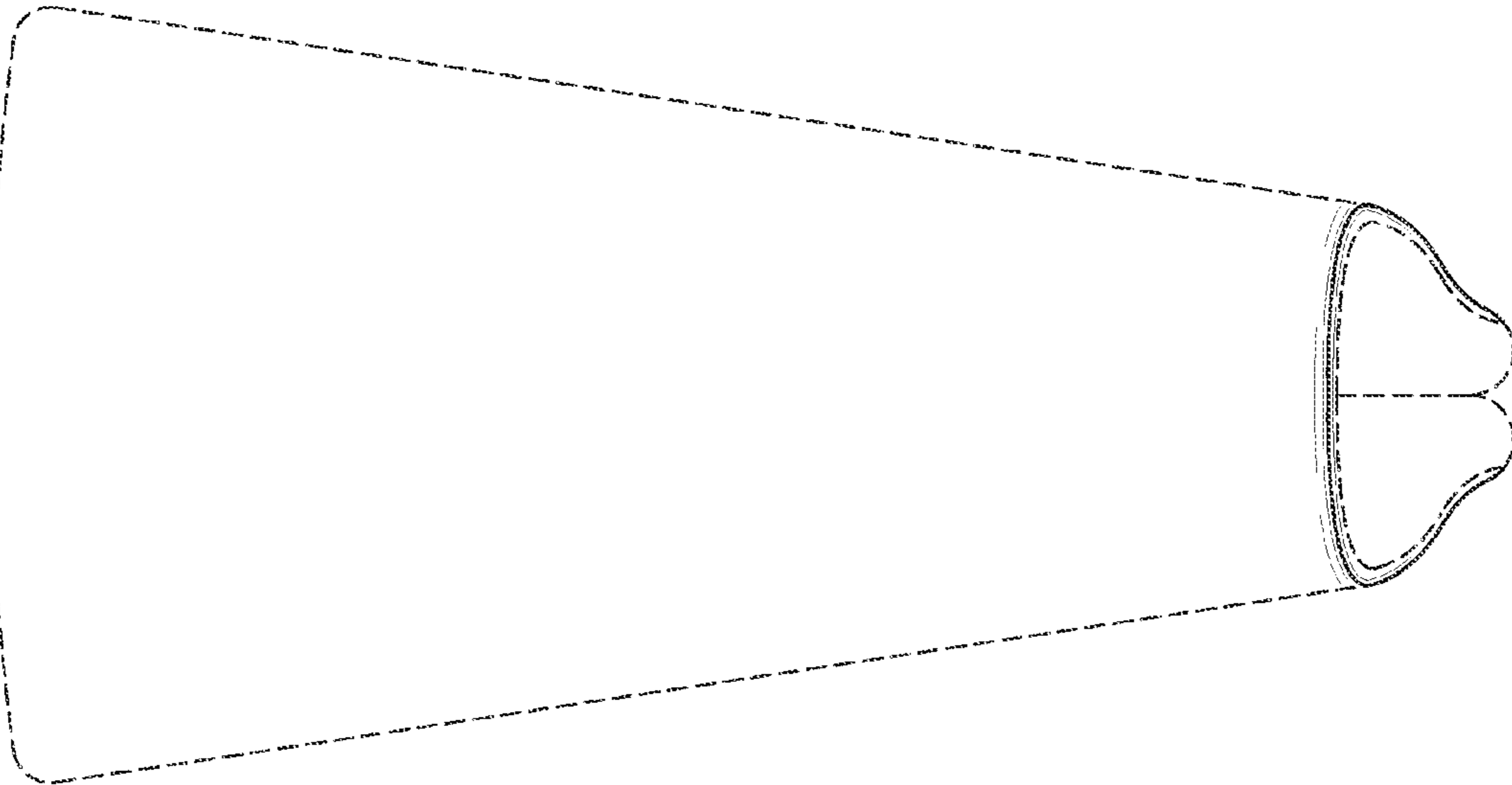


FIG. 5

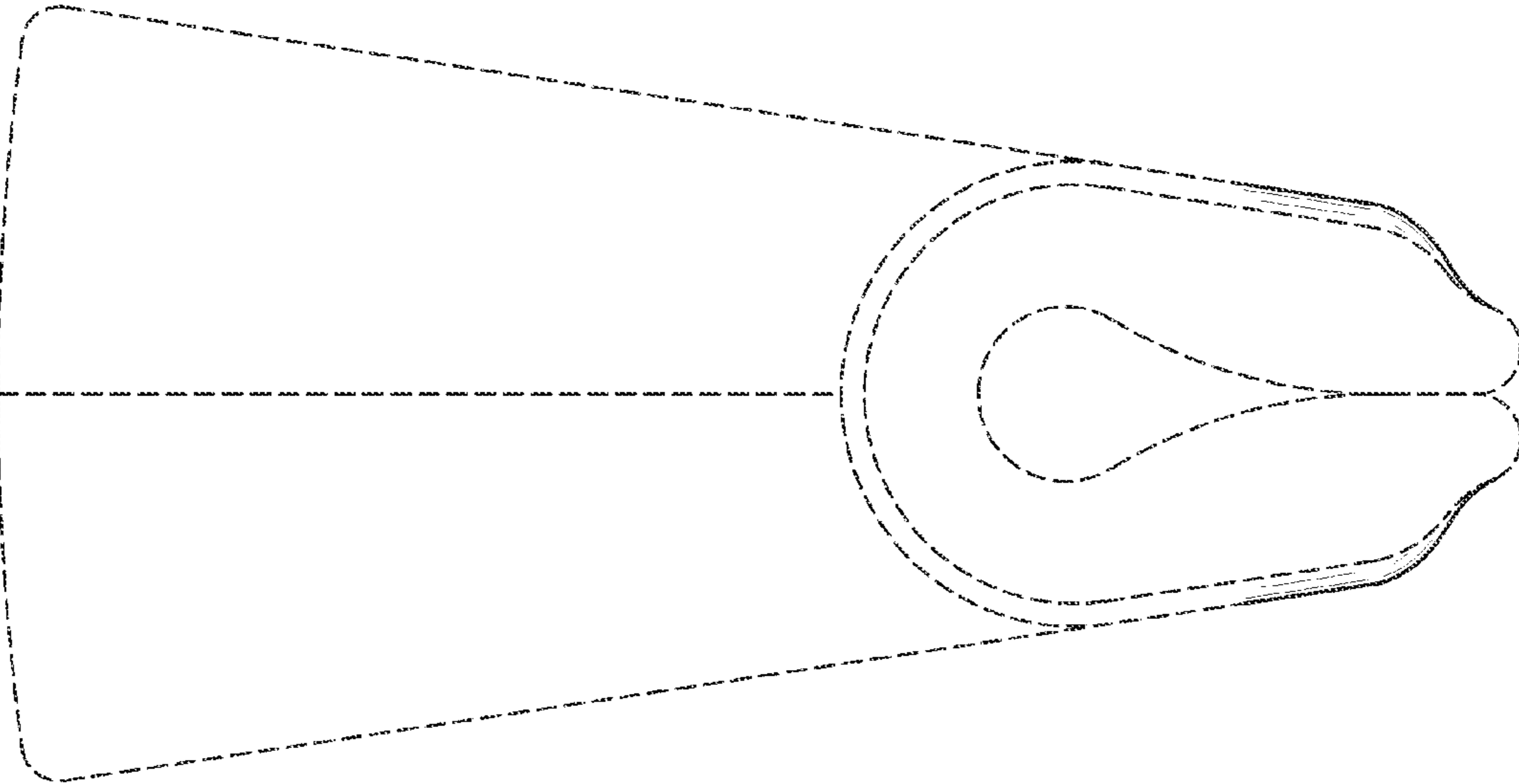


FIG. 6

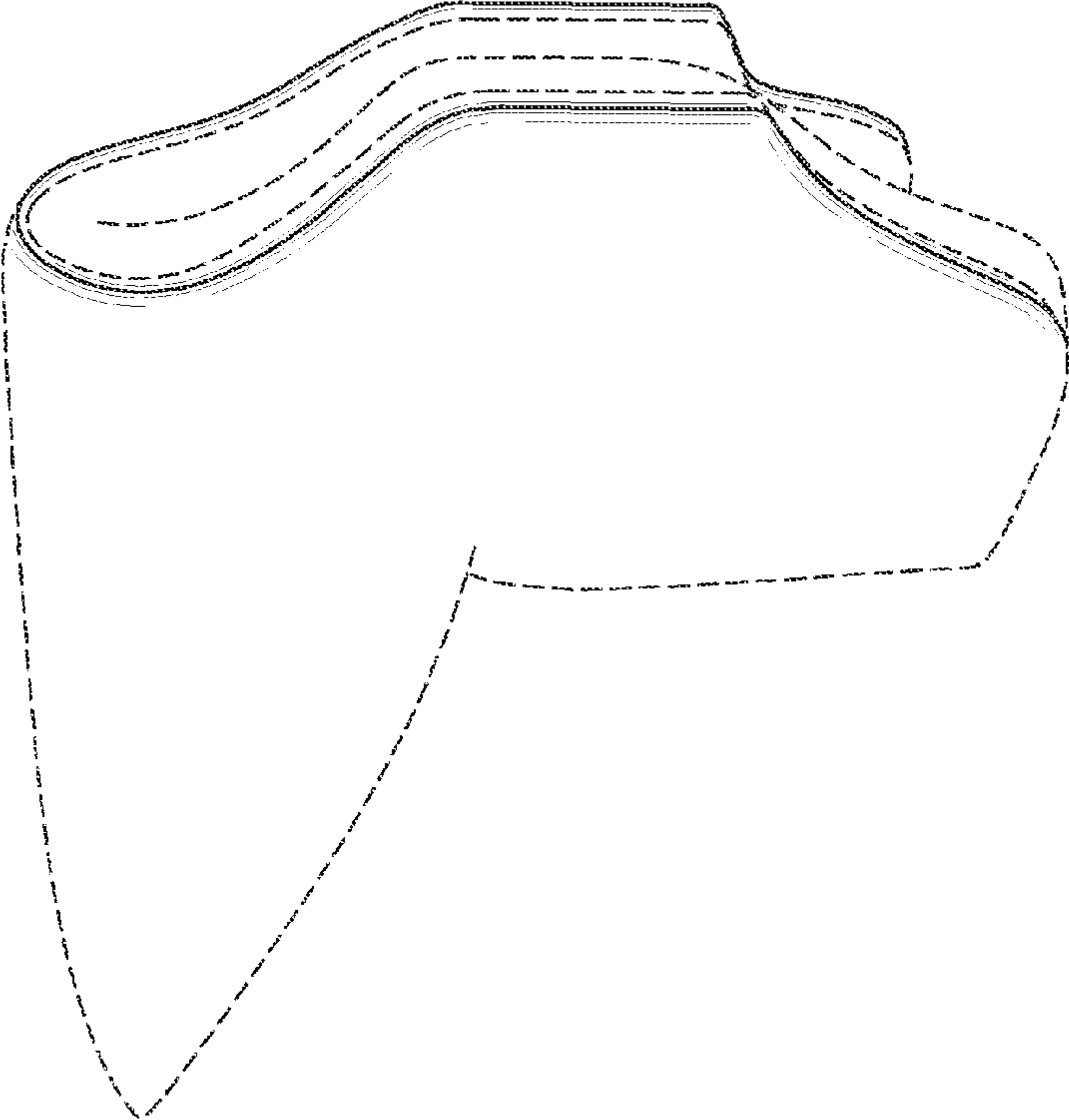


FIG. 7

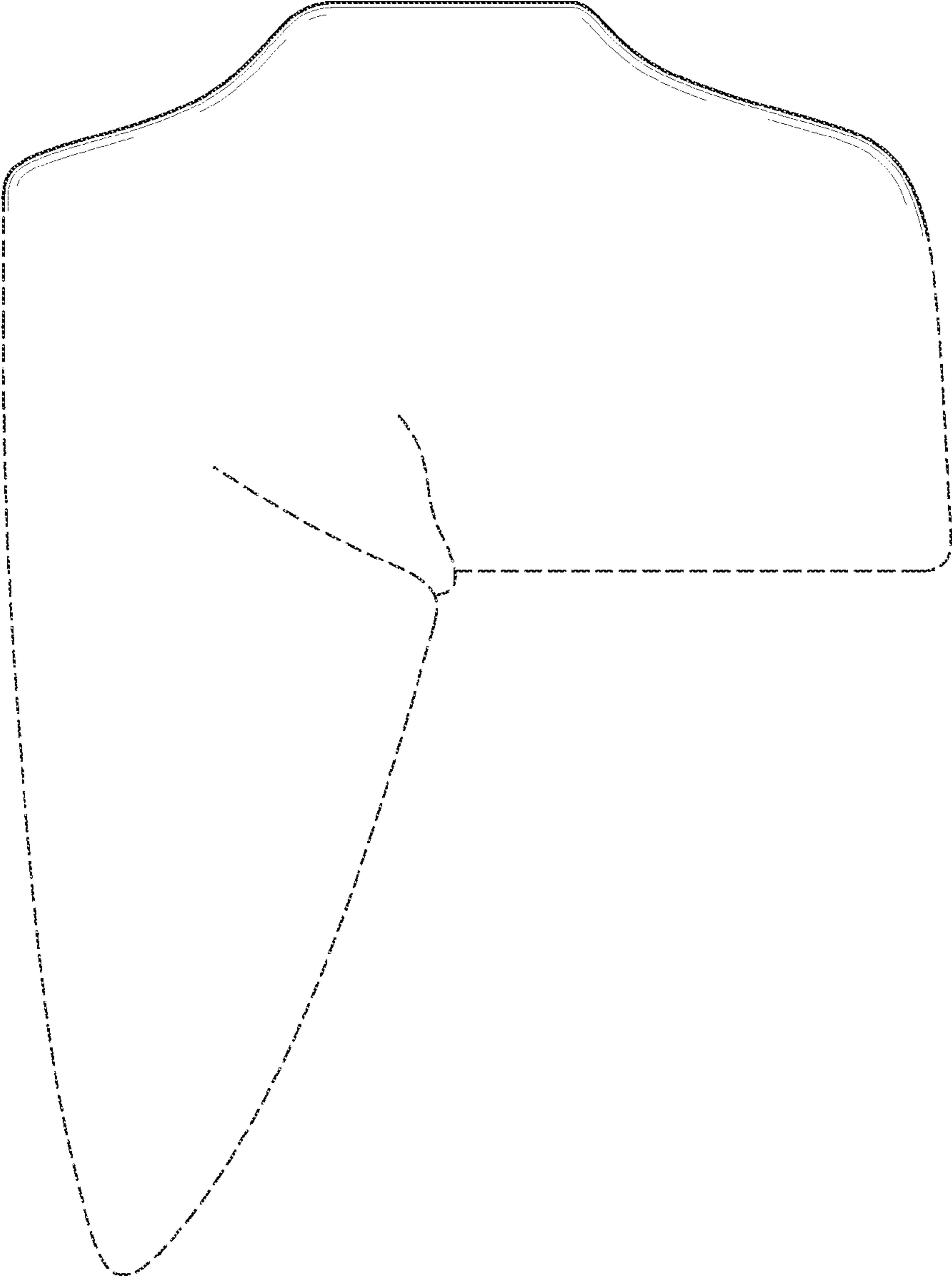


FIG. 8

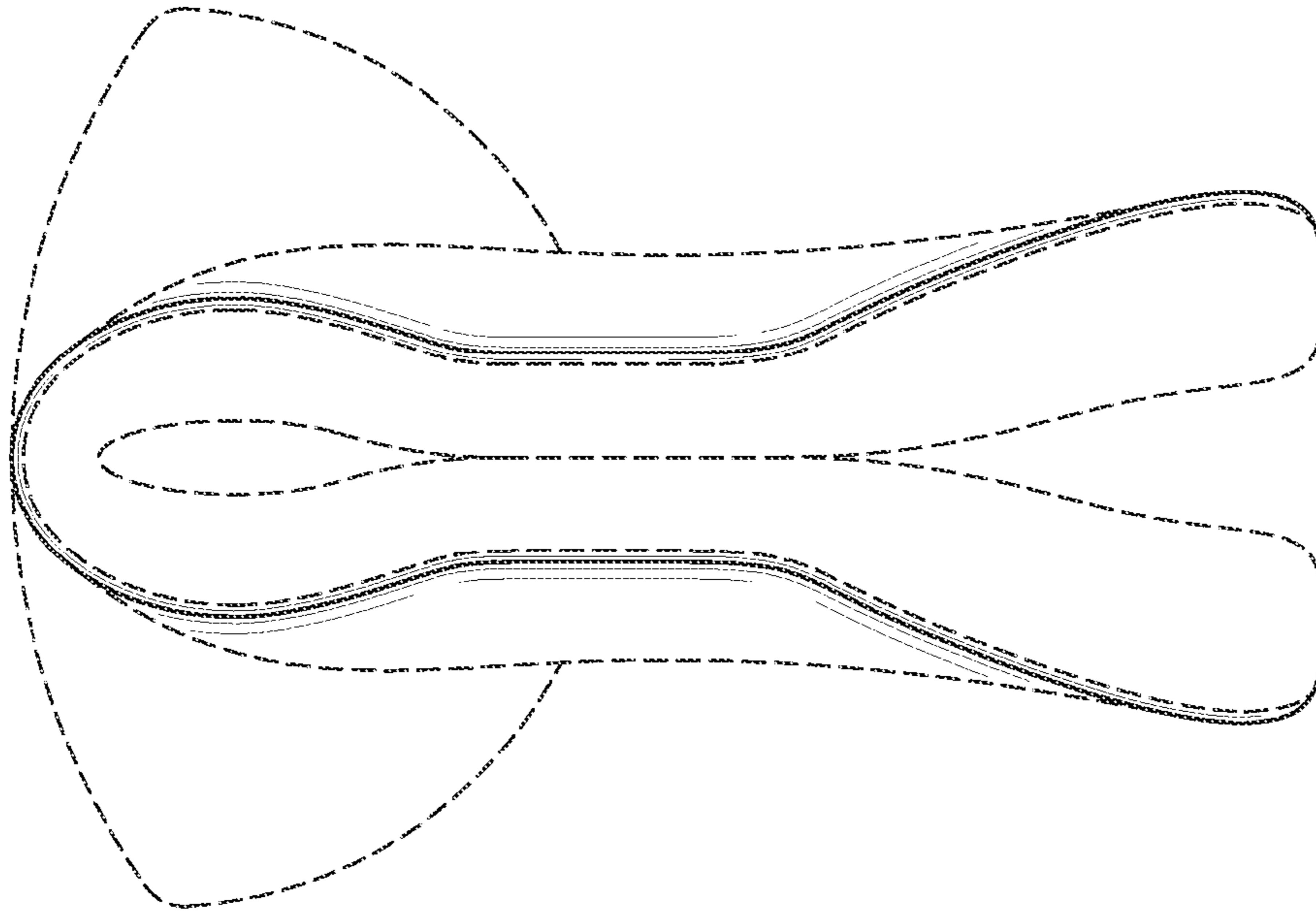


FIG.10

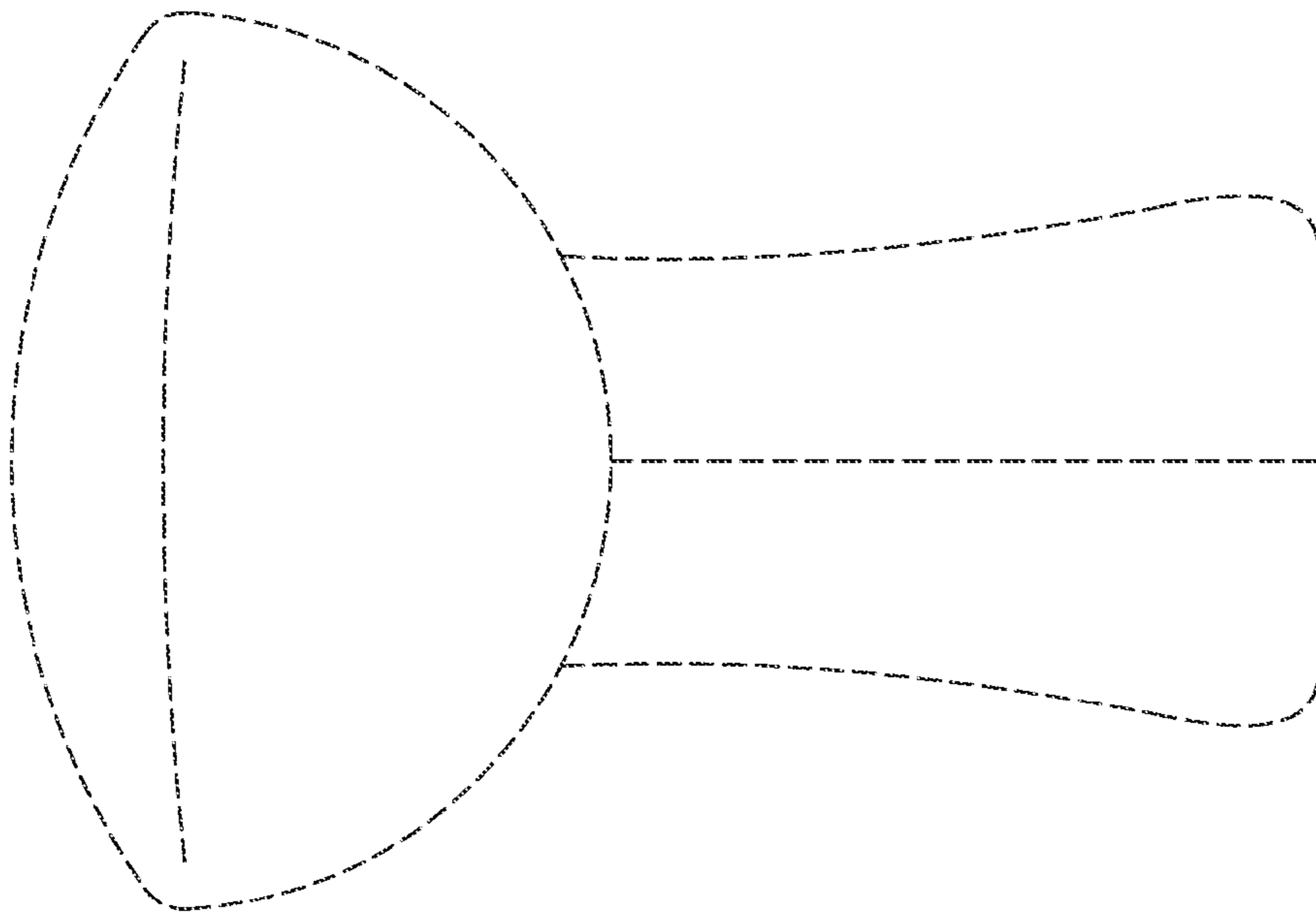


FIG.9

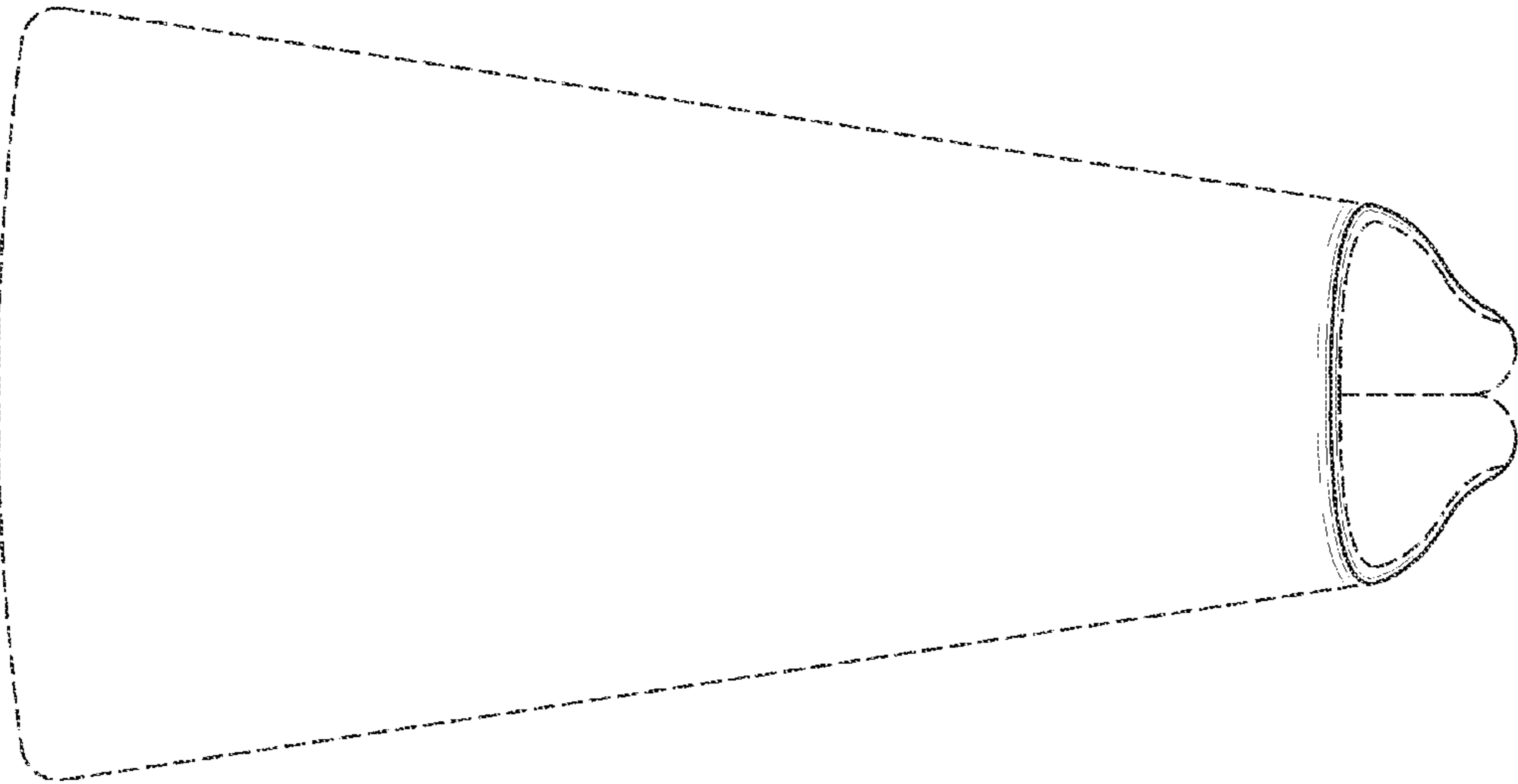


FIG. 11

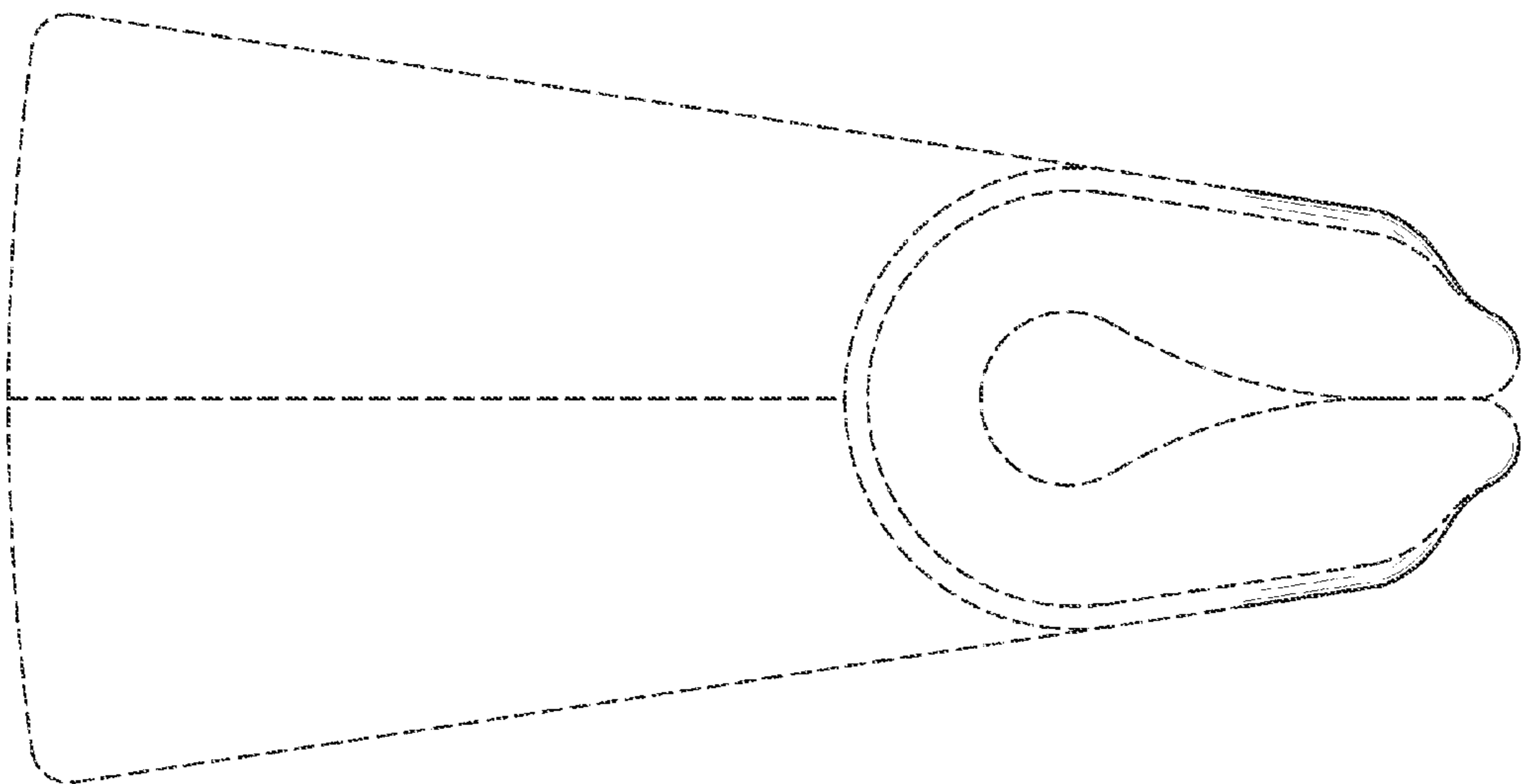


FIG. 12