



US00D624617S

(12) **United States Design Patent**  
**Rife**

(10) **Patent No.:** **US D624,617 S**

(45) **Date of Patent:** **\*\* Sep. 28, 2010**

(54) **PUTTER**

(76) **Inventor:** **Guerin D. Rife**, 1133 Cordoba Way,  
Vista, CA (US) 92081

(\*\*) **Term:** **14 Years**

(21) **Appl. No.:** **29/347,222**

(22) **Filed:** **Nov. 3, 2009**

(51) **LOC (9) Cl.** ..... **21-02**

(52) **U.S. Cl.** ..... **D21/742**

(58) **Field of Classification Search** ..... D21/736-746;  
473/324-331, 340-341, 251-256  
See application file for complete search history.

(56) **References Cited**

**U.S. PATENT DOCUMENTS**

4,871,174	A *	10/1989	Kobayashi	.....	473/252
5,409,219	A *	4/1995	Saksun, Sr.	.....	473/349
D507,028	S *	7/2005	Kriser, II	.....	D21/736
D565,138	S *	3/2008	Wilson	.....	D21/743
D571,879	S *	6/2008	Jones et al.	.....	D21/736

D574,907 S \* 8/2008 Jones et al. .... D21/736  
2007/0238547 A1 \* 10/2007 Jones ..... 473/340

\* cited by examiner

*Primary Examiner*—Mitchell I Siegel

(74) *Attorney, Agent, or Firm*—Welsh & Flaxman LLC

(57) **CLAIM**

The ornamental design for a putter, as shown and described.

**DESCRIPTION**

FIG. 1 is a top perspective view of a putter showing my new design.

FIG. 2 is a bottom perspective view thereof.

FIG. 3 is a top plan view thereof.

FIG. 4 is a bottom plan view thereof.

FIG. 5 is a front elevational view thereof.

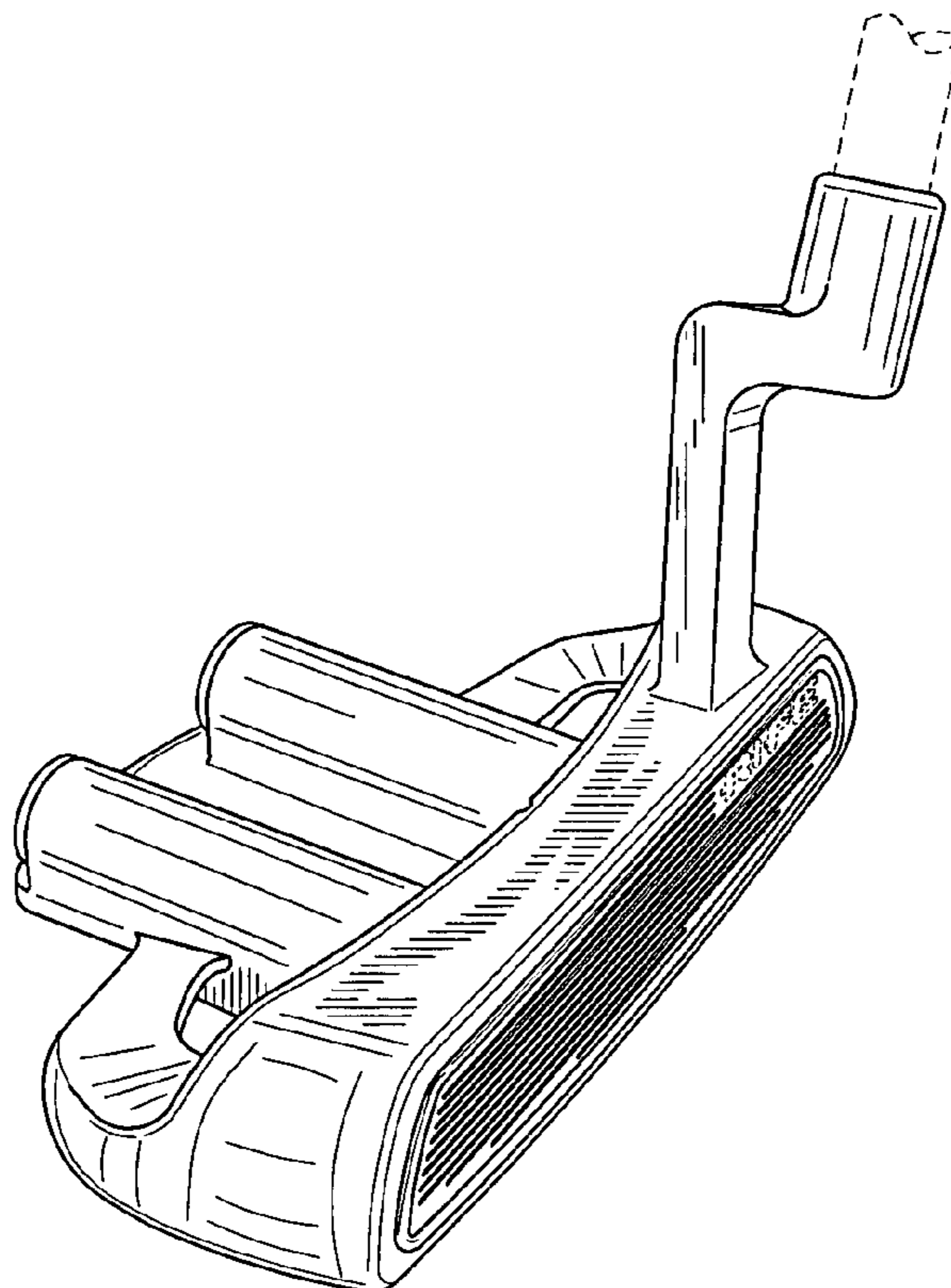
FIG. 6 is a rear elevational view thereof.

FIG. 7 is a toe elevational view thereof; and,

FIG. 8 is a heel elevational view thereof.

The dashed lines in the drawings are for illustrative purposes only and form no part of the claimed design.

**1 Claim, 4 Drawing Sheets**



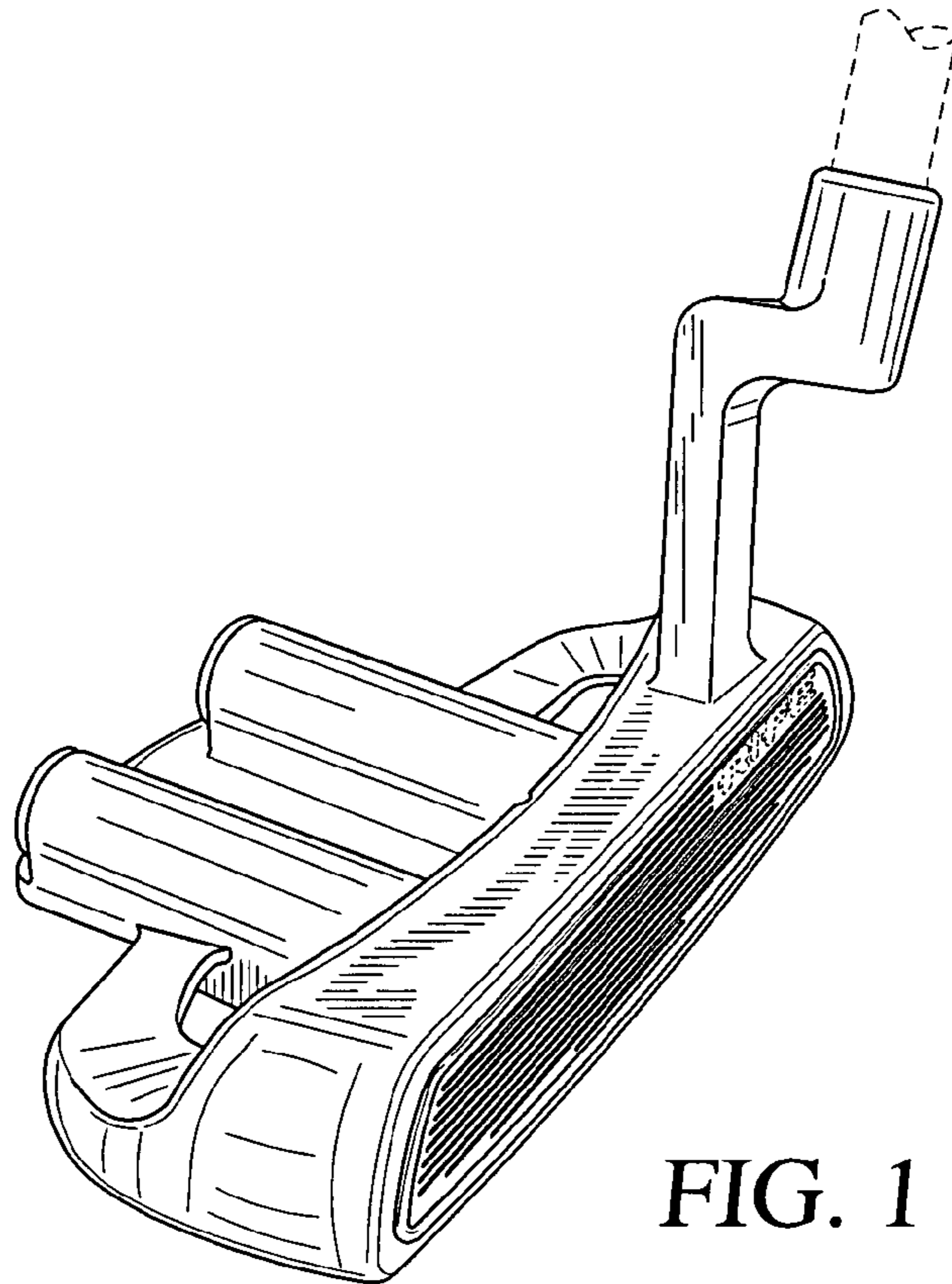


FIG. 1

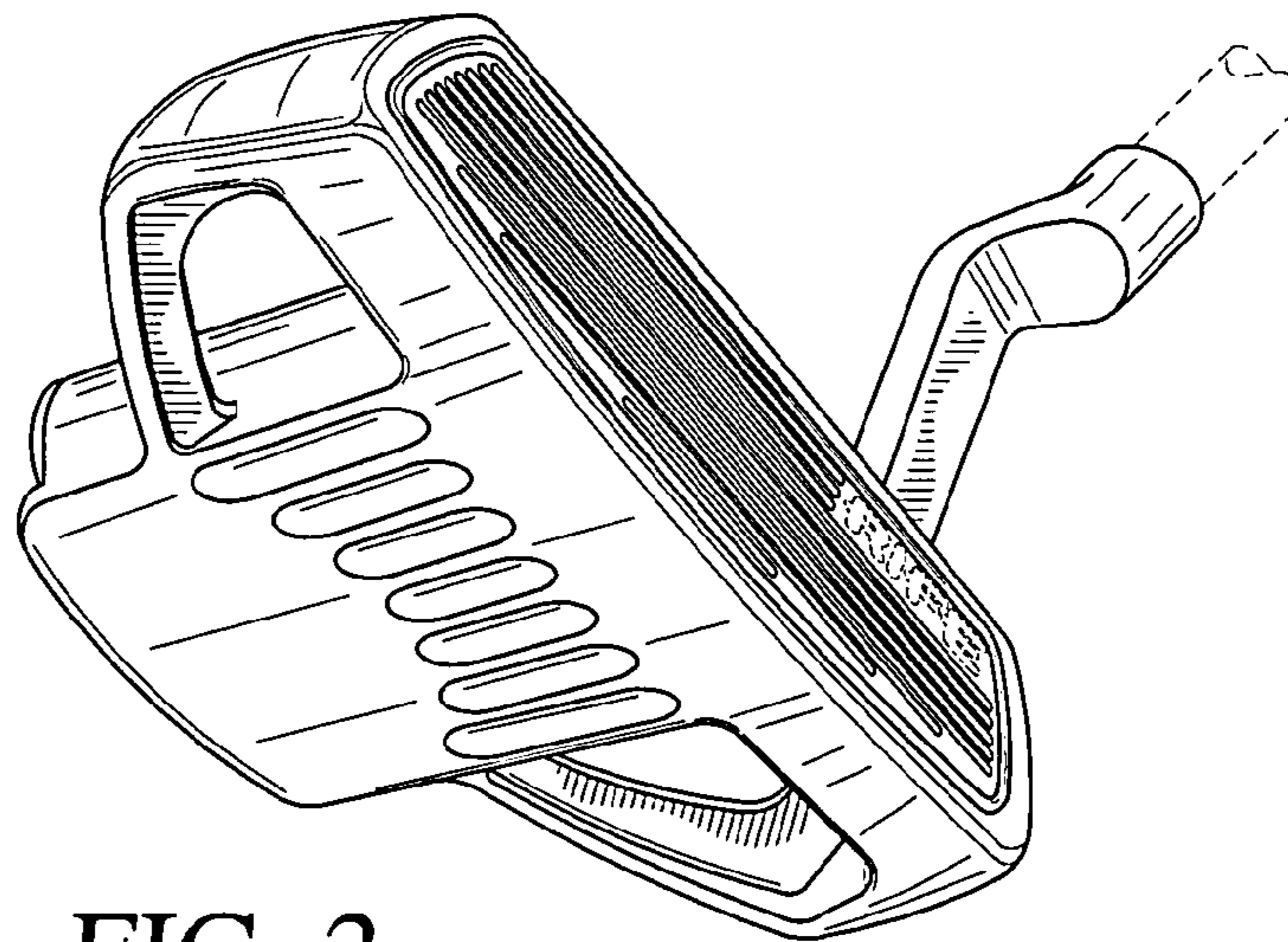


FIG. 2

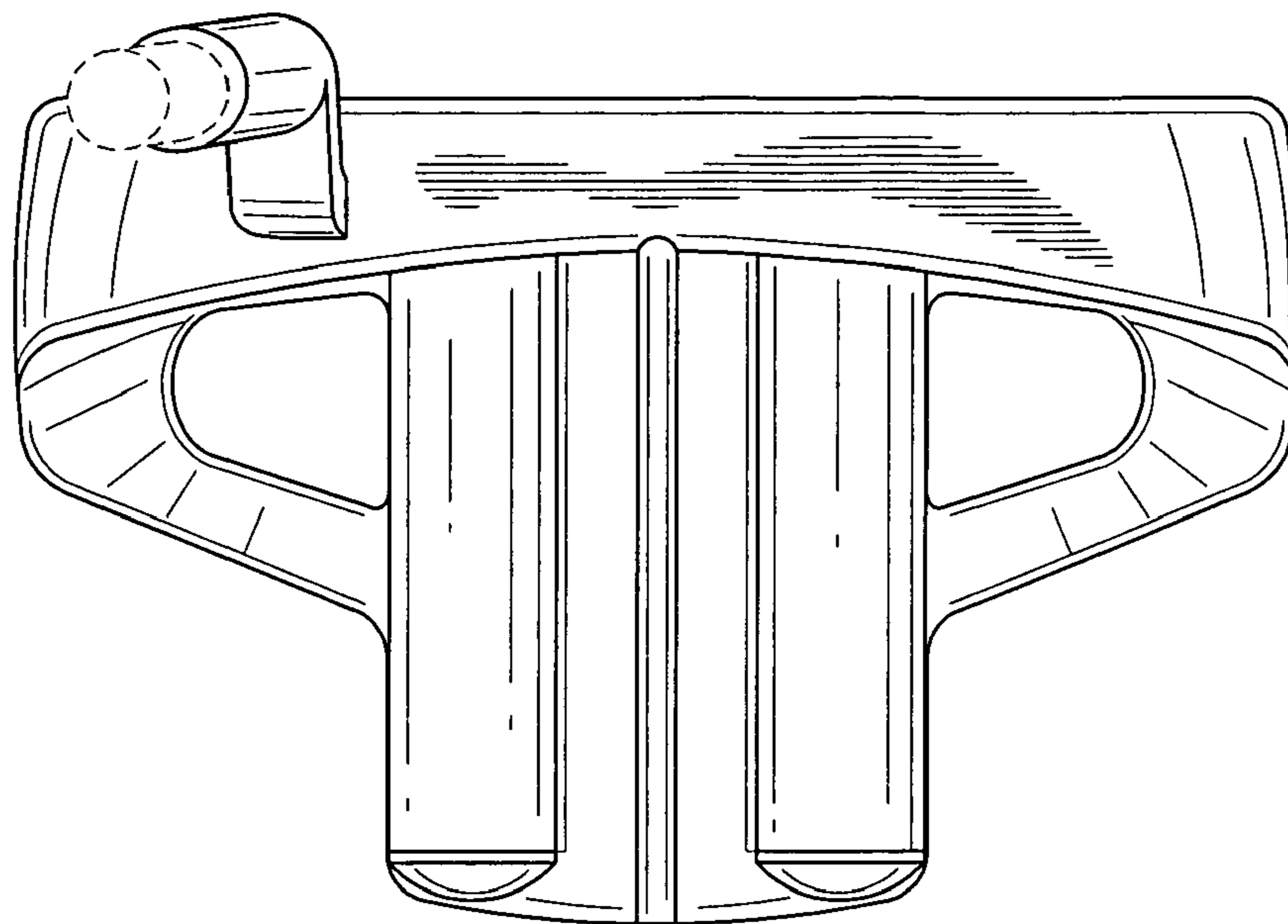


FIG. 3

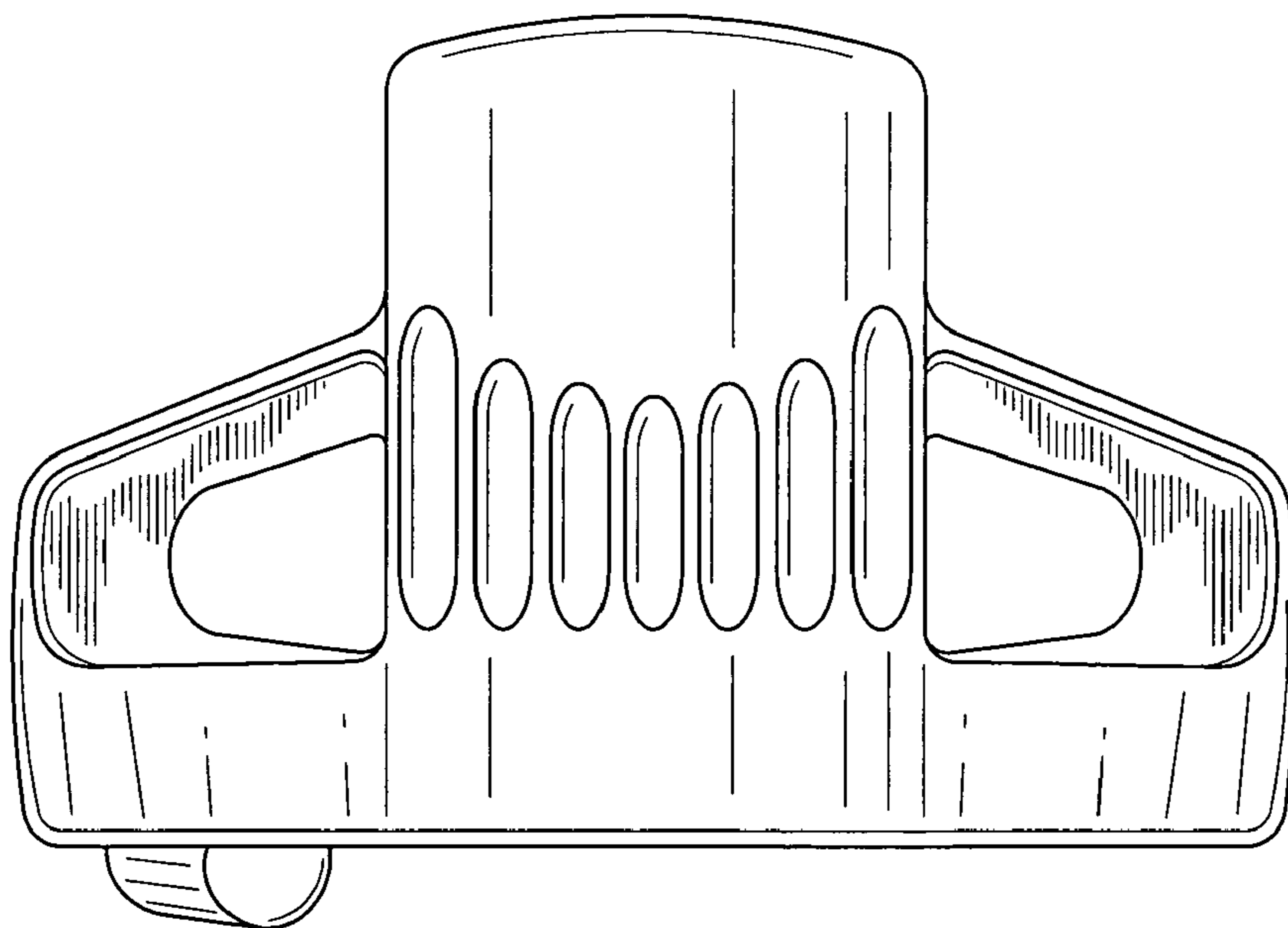


FIG. 4

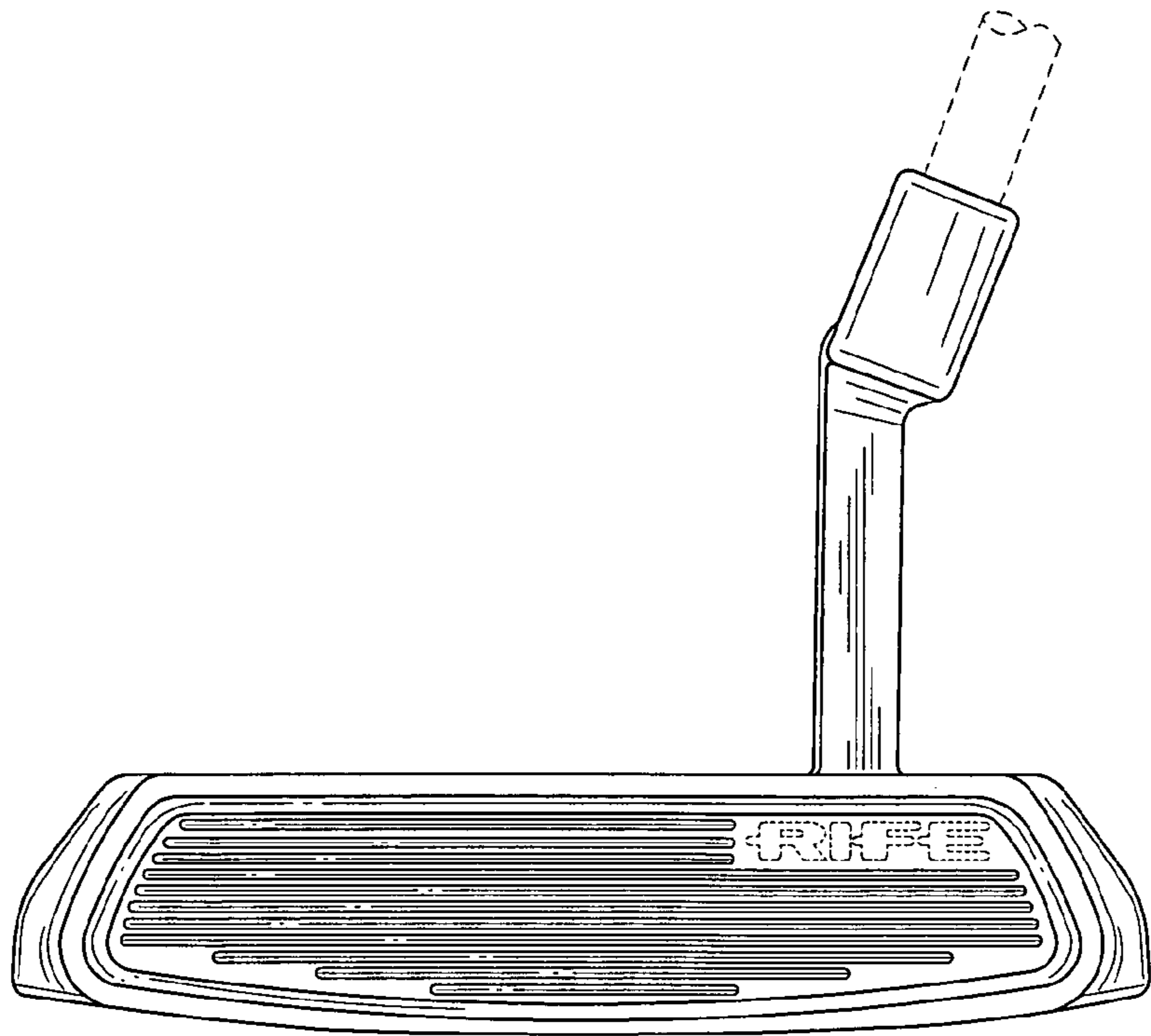


FIG. 5

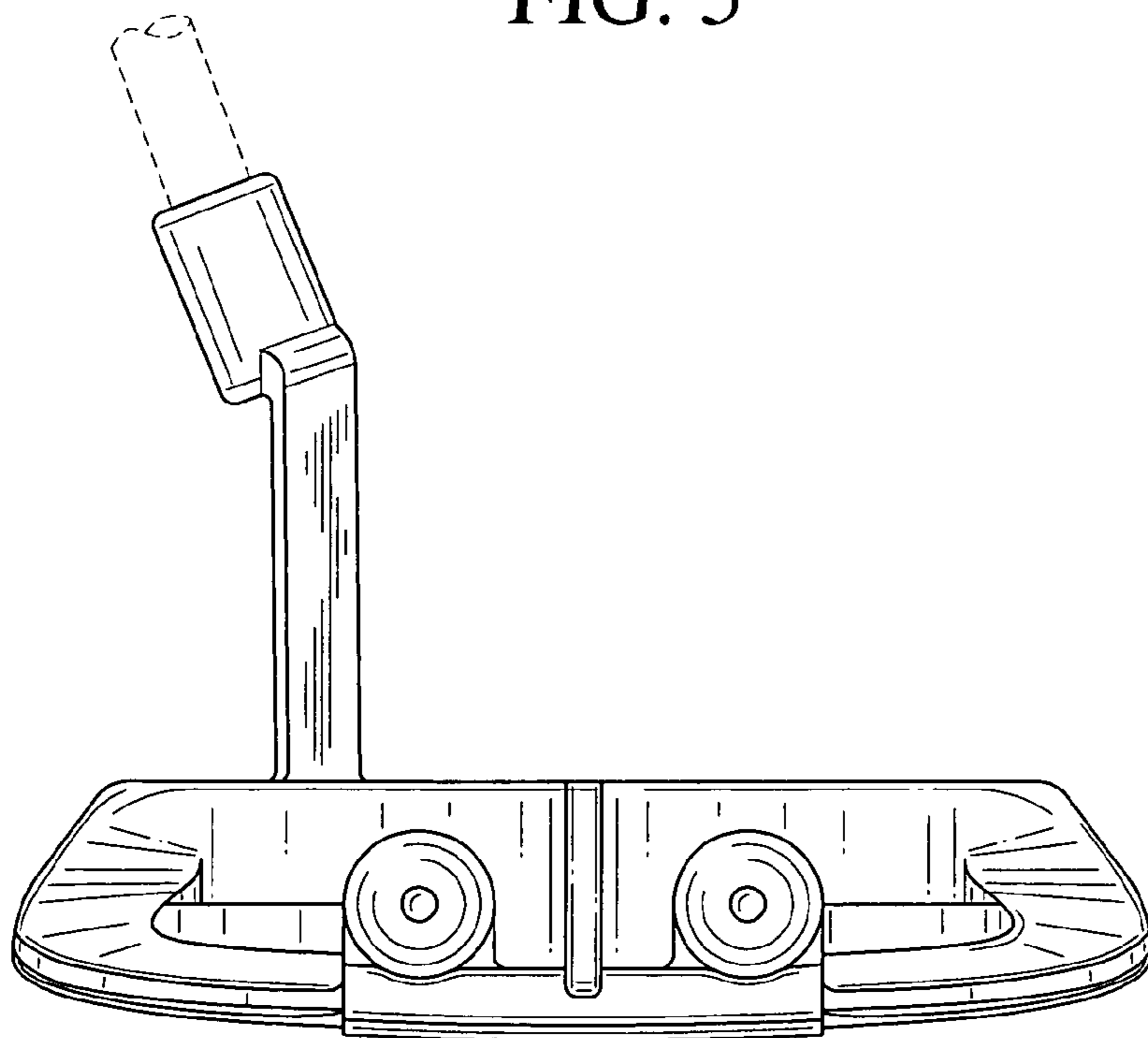


FIG. 6

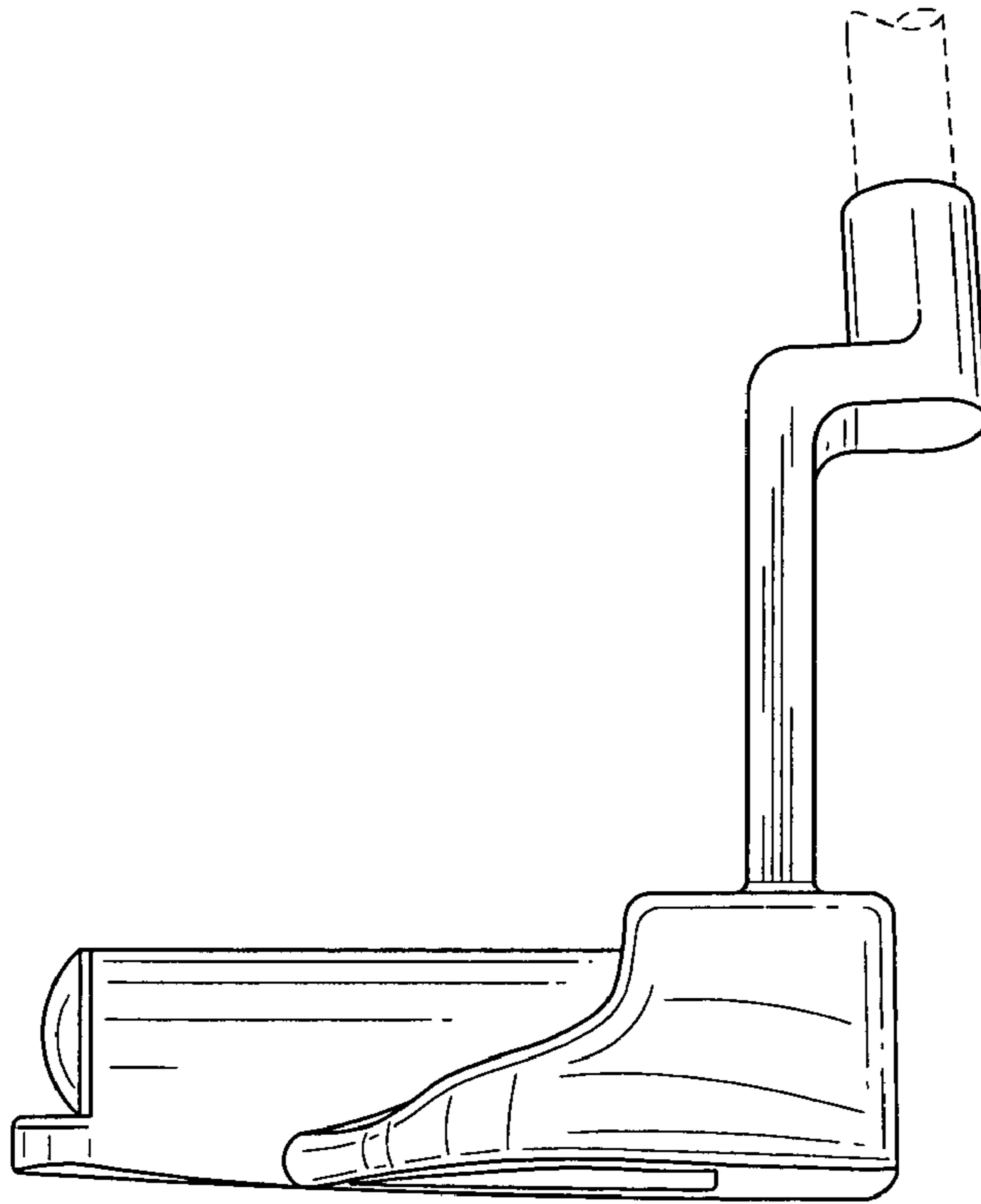


FIG. 7

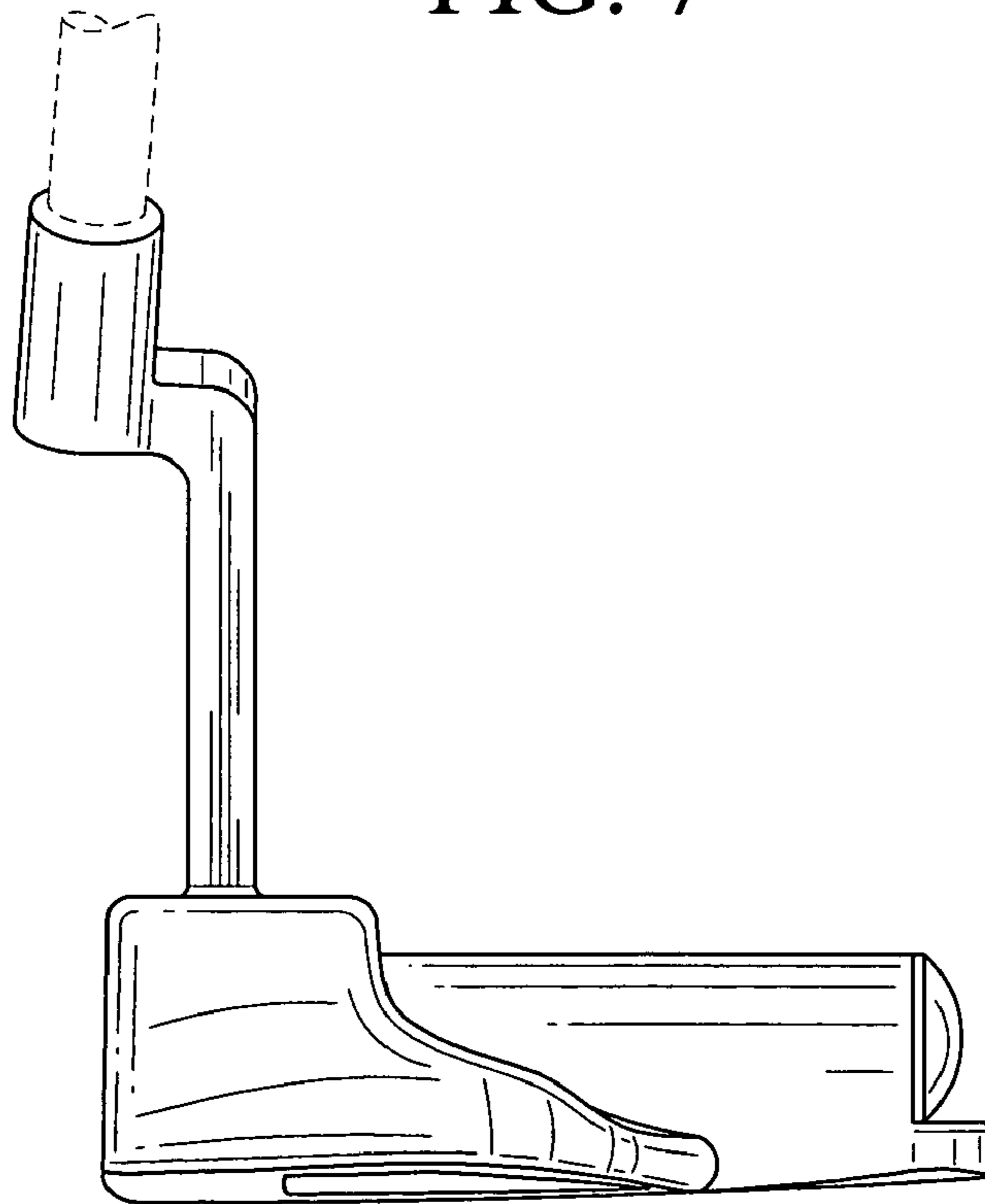


FIG. 8