



US00D624616S

(12) **United States Design Patent**
Rife

(10) **Patent No.:** **US D624,616 S**

(45) **Date of Patent:** **** Sep. 28, 2010**

(54) **PUTTER**

(76) **Inventor:** **Guerin D. Rife**, 1133 Cordoba Way,
Vista, CA (US) 92081

(**) **Term:** **14 Years**

(21) **Appl. No.:** **29/347,221**

(22) **Filed:** **Nov. 3, 2009**

(51) **LOC (9) Cl.** **21-02**

(52) **U.S. Cl.** **D21/742**

(58) **Field of Classification Search** D21/736-746;
473/324-331, 340-341, 251-256

See application file for complete search history.

(56) **References Cited**

U.S. PATENT DOCUMENTS

4,871,174	A	*	10/1989	Kobayashi	473/252
5,409,219	A	*	4/1995	Saksun, Sr.	473/349
D399,290	S	*	10/1998	Sizemore, Jr.	D21/742
D507,028	S	*	7/2005	Kriser, II	D21/736
D540,410	S	*	4/2007	Sizemore, Jr.	D21/743
D543,598	S	*	5/2007	Kuan et al.	D21/736
D561,854	S	*	2/2008	Morris	D21/744
D565,138	S	*	3/2008	Wilson	D21/743

D591,806 S * 5/2009 Cameron D21/743

* cited by examiner

Primary Examiner—Mitchell I Siegel

(74) *Attorney, Agent, or Firm*—Welsh & Flaxman LLC

(57) **CLAIM**

The ornamental design for a putter, as shown and described.

DESCRIPTION

FIG. 1 is a top perspective view of a putter showing my new design.

FIG. 2 is a bottom perspective view thereof.

FIG. 3 is a top plan view thereof.

FIG. 4 is a bottom plan view thereof.

FIG. 5 is a front elevational view thereof.

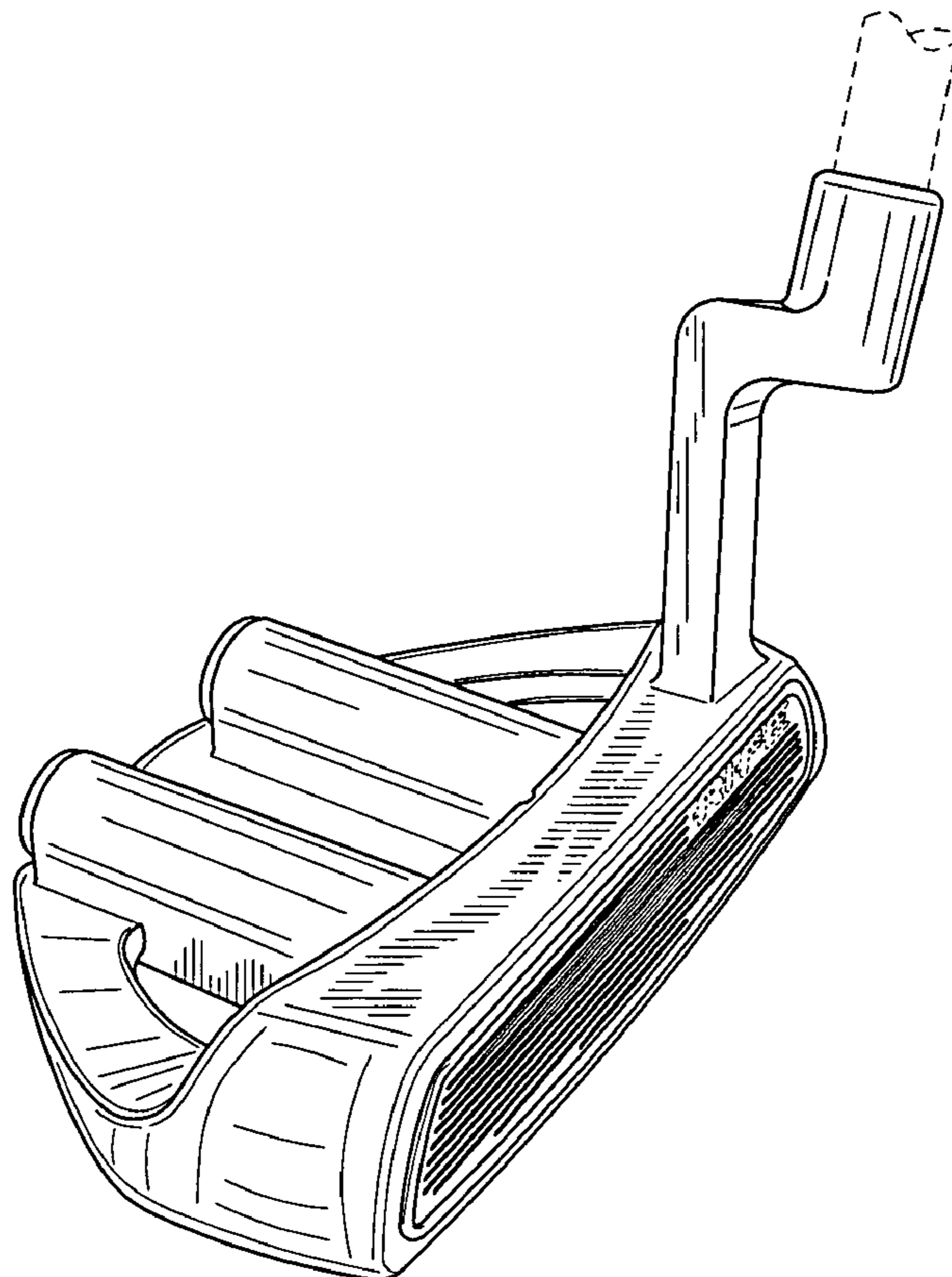
FIG. 6 is a rear elevational view thereof.

FIG. 7 is a toe elevational view thereof; and,

FIG. 8 is a heel elevational view thereof.

The dashed lines in the drawings are for illustrative purposes only and form no part of the claimed design.

1 Claim, 4 Drawing Sheets



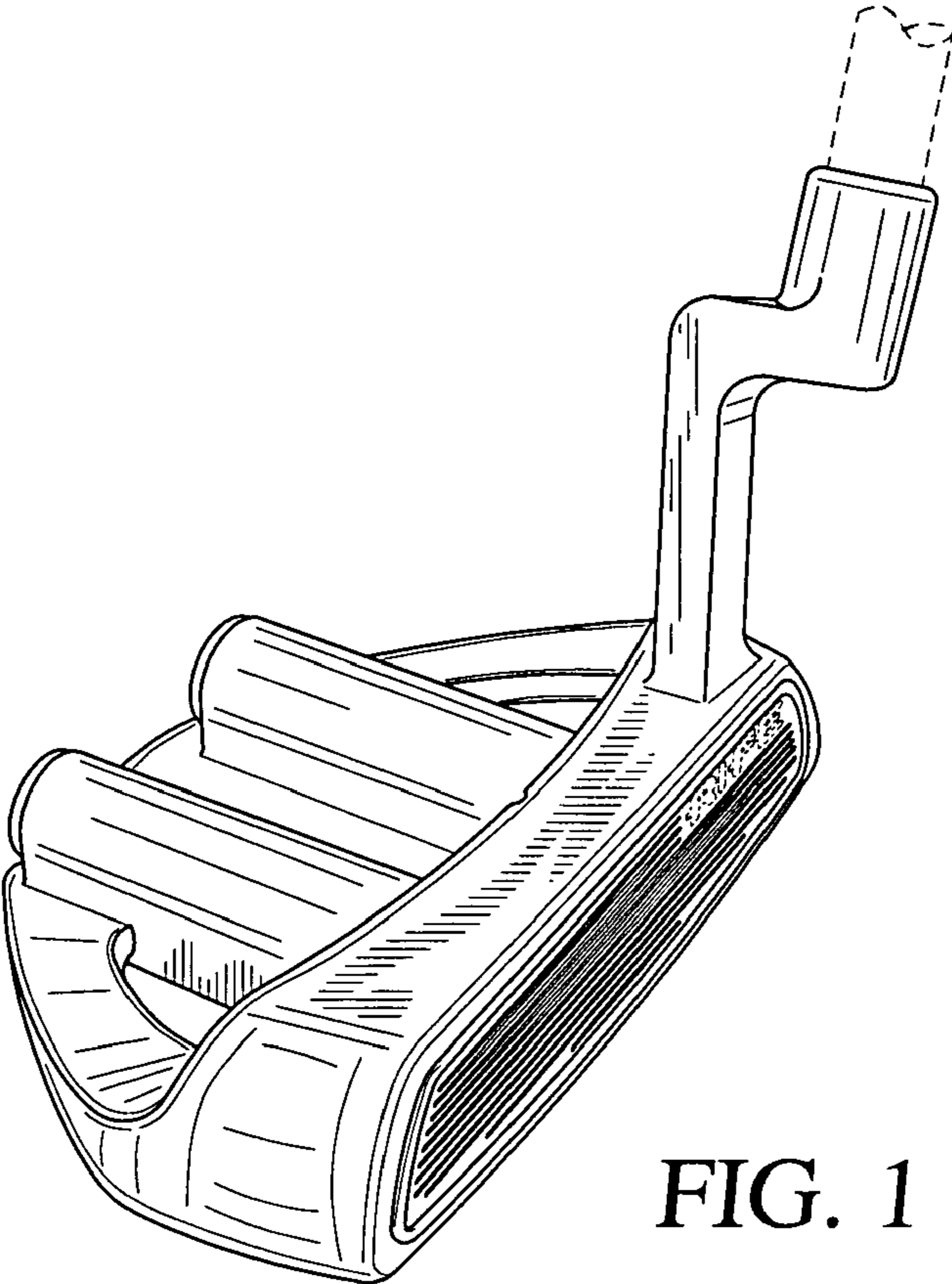


FIG. 1

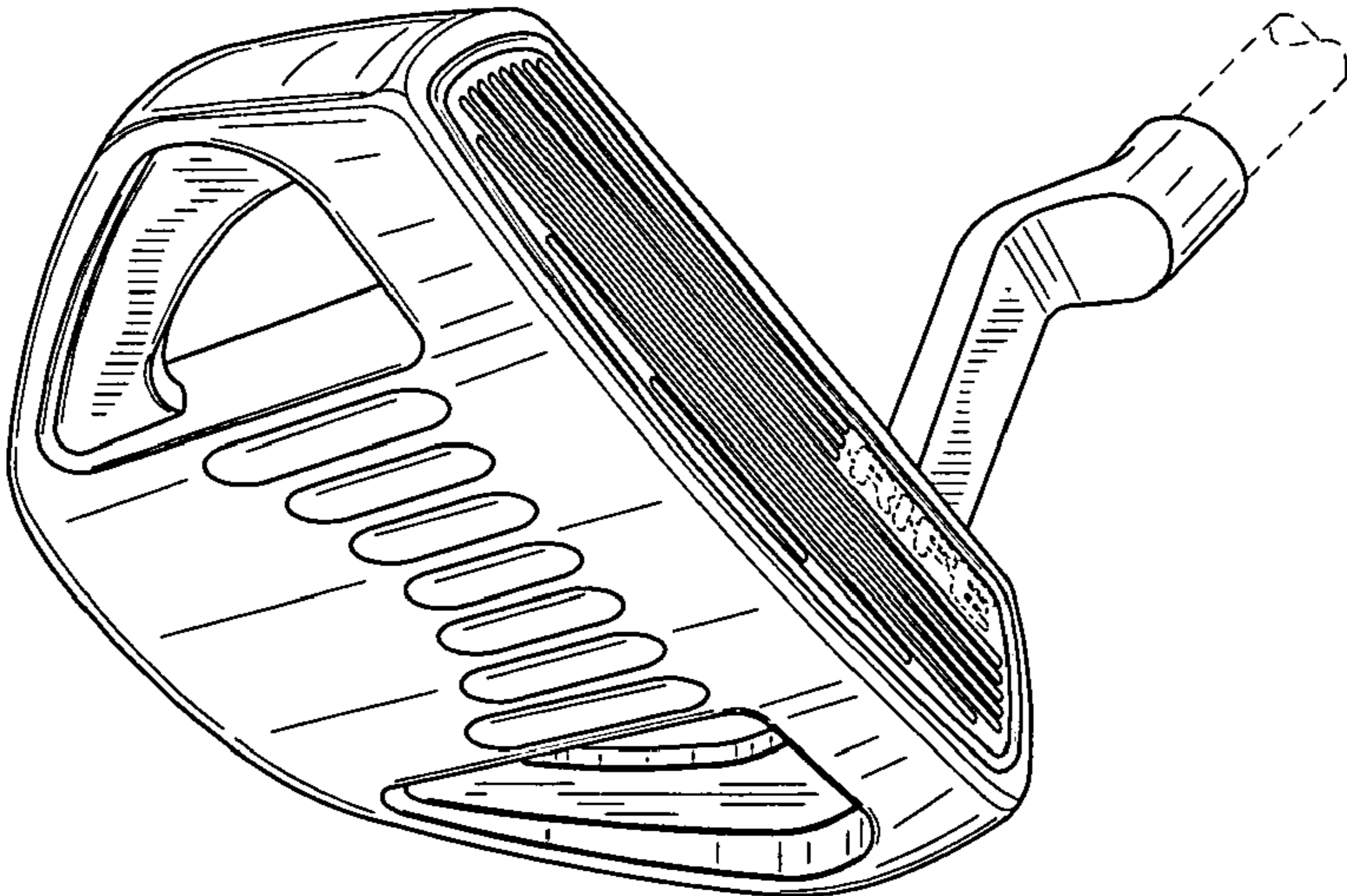


FIG. 2

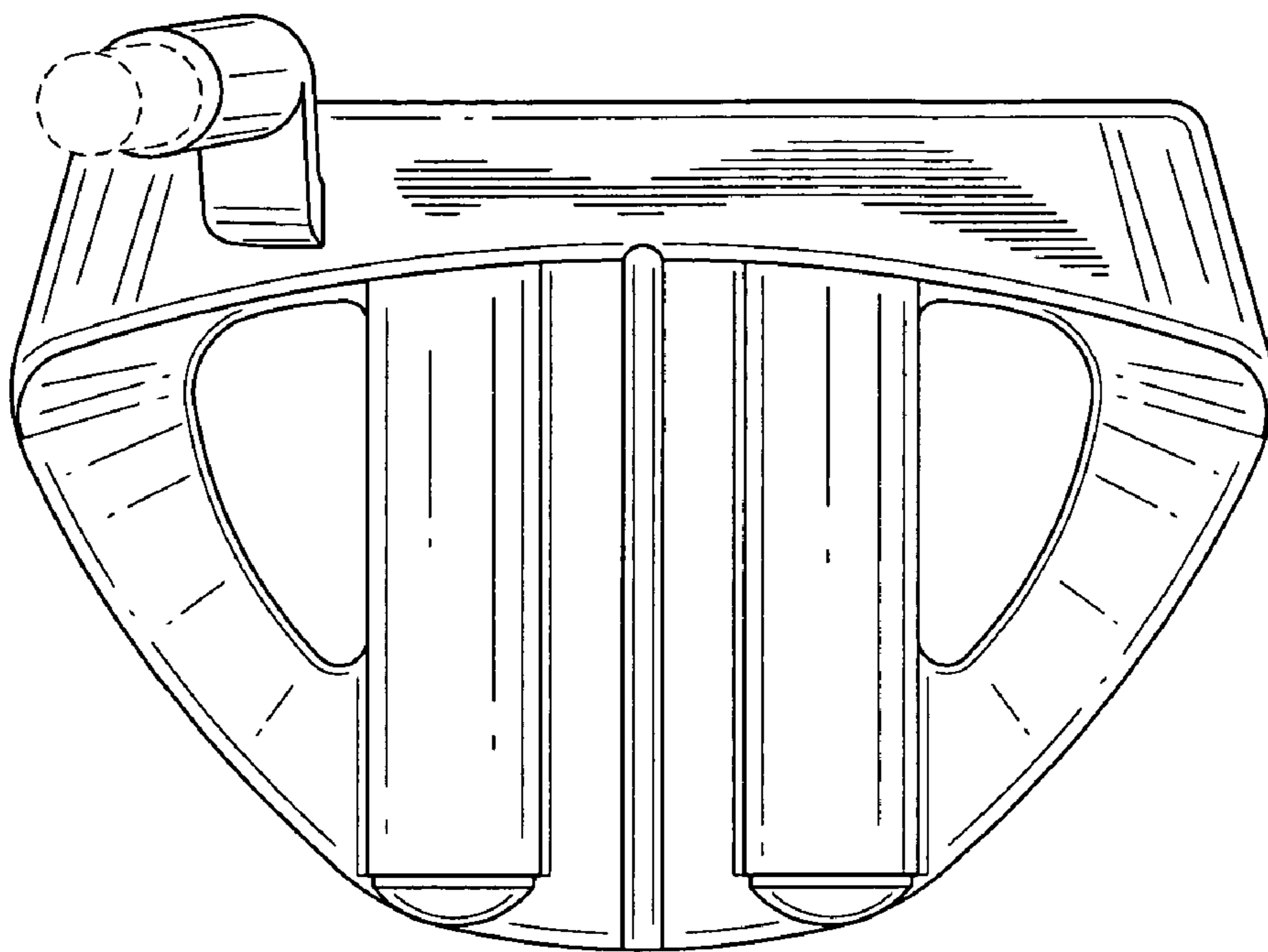


FIG. 3

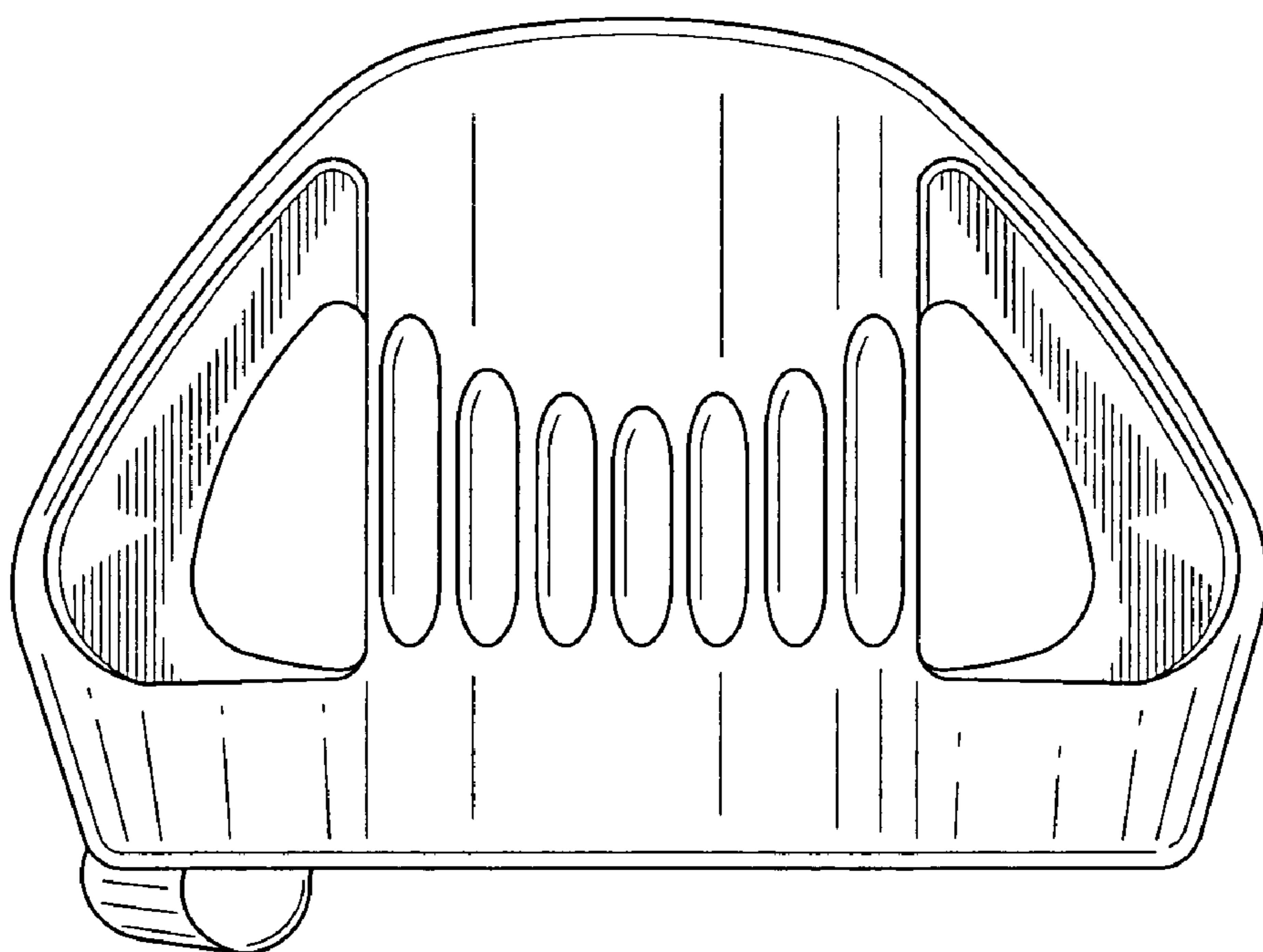


FIG. 4

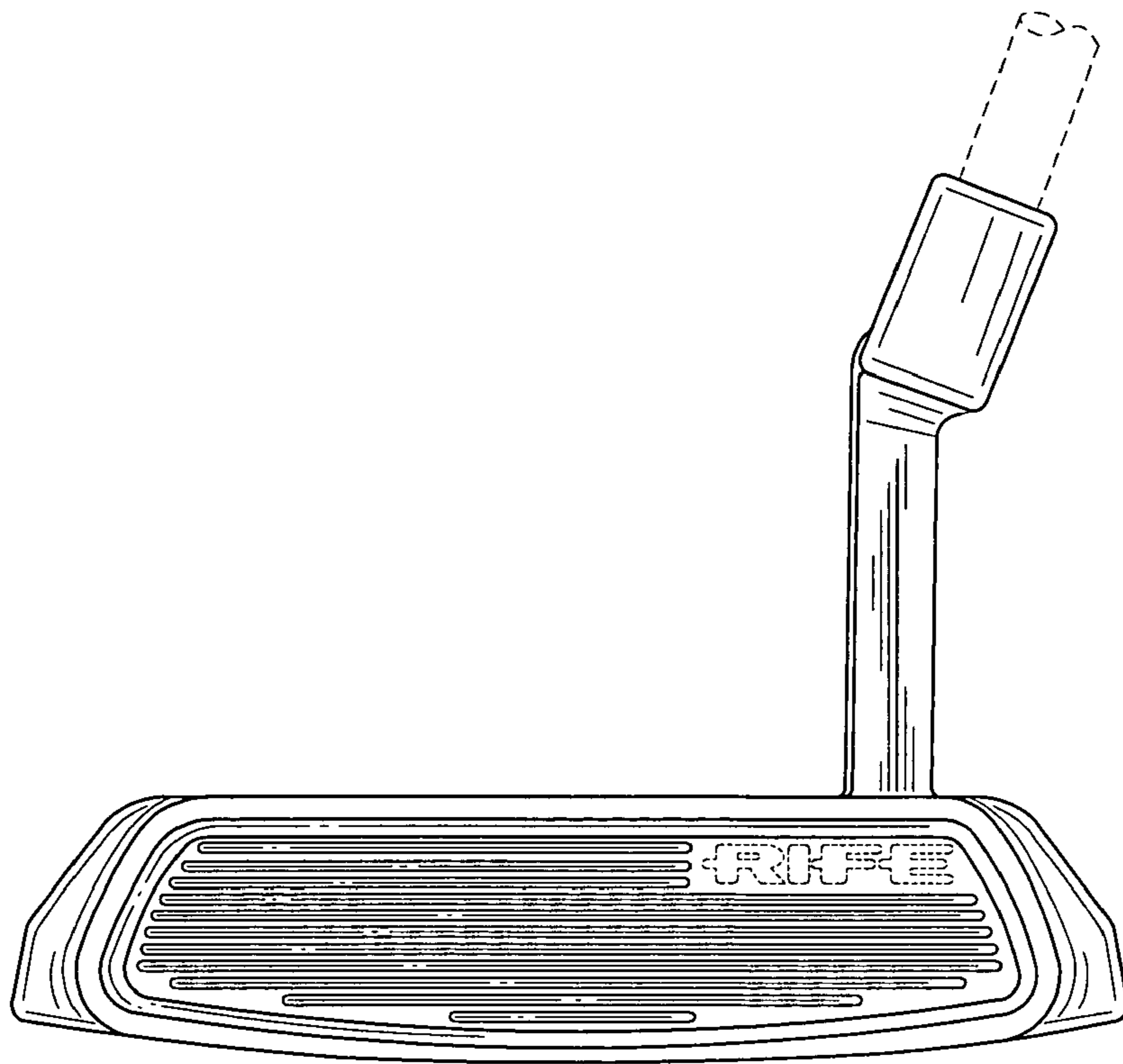


FIG. 5

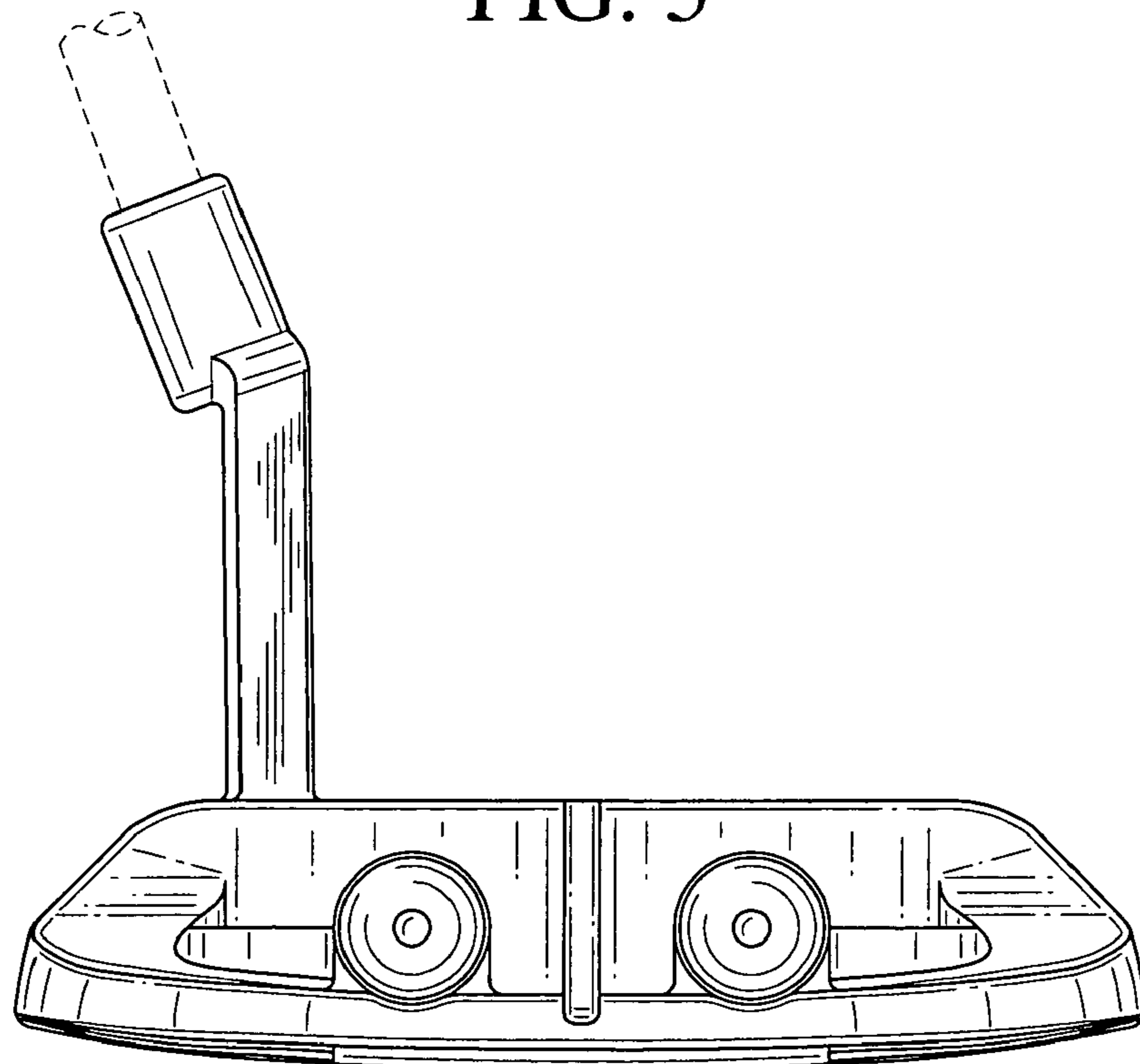


FIG. 6

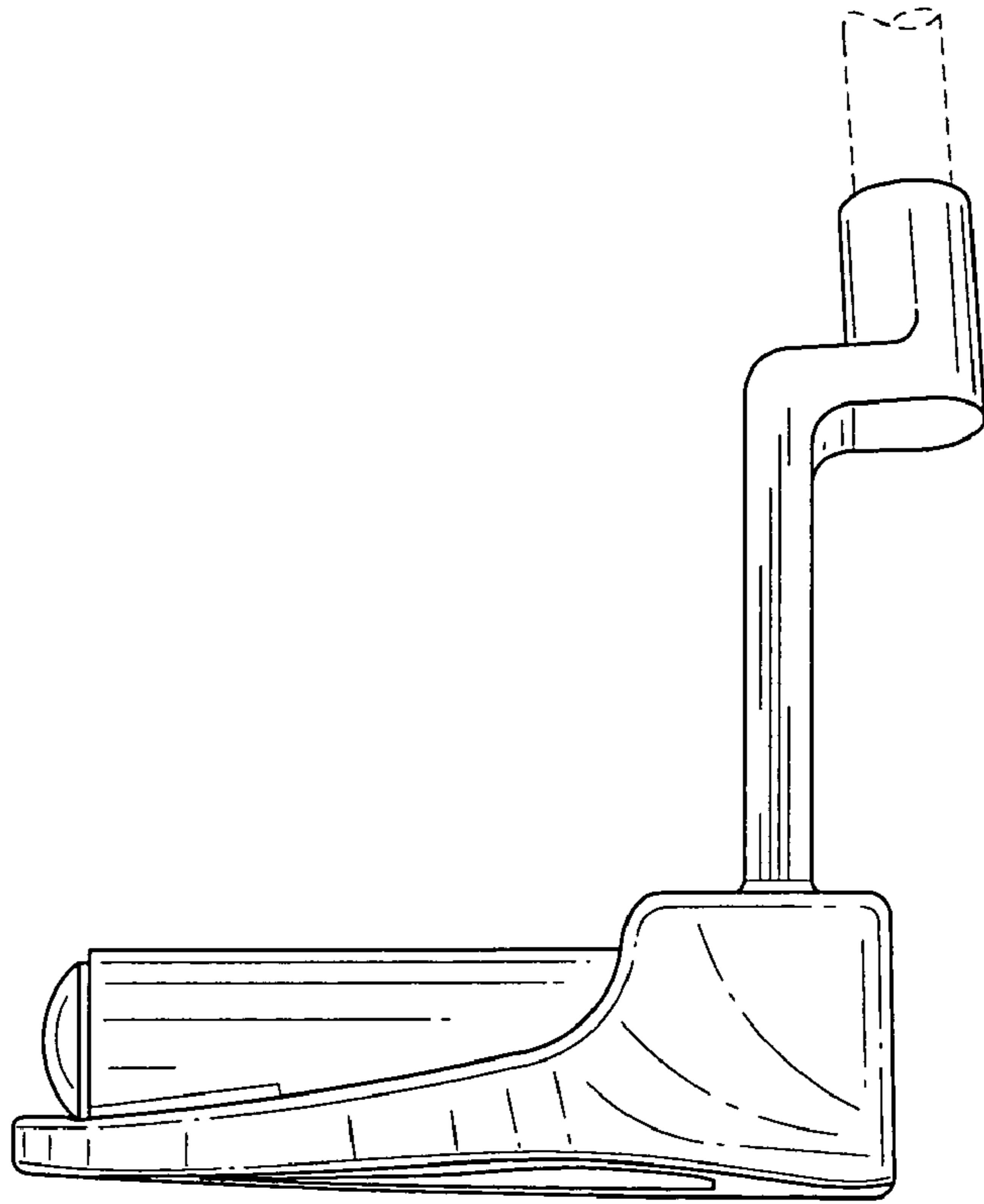


FIG. 7

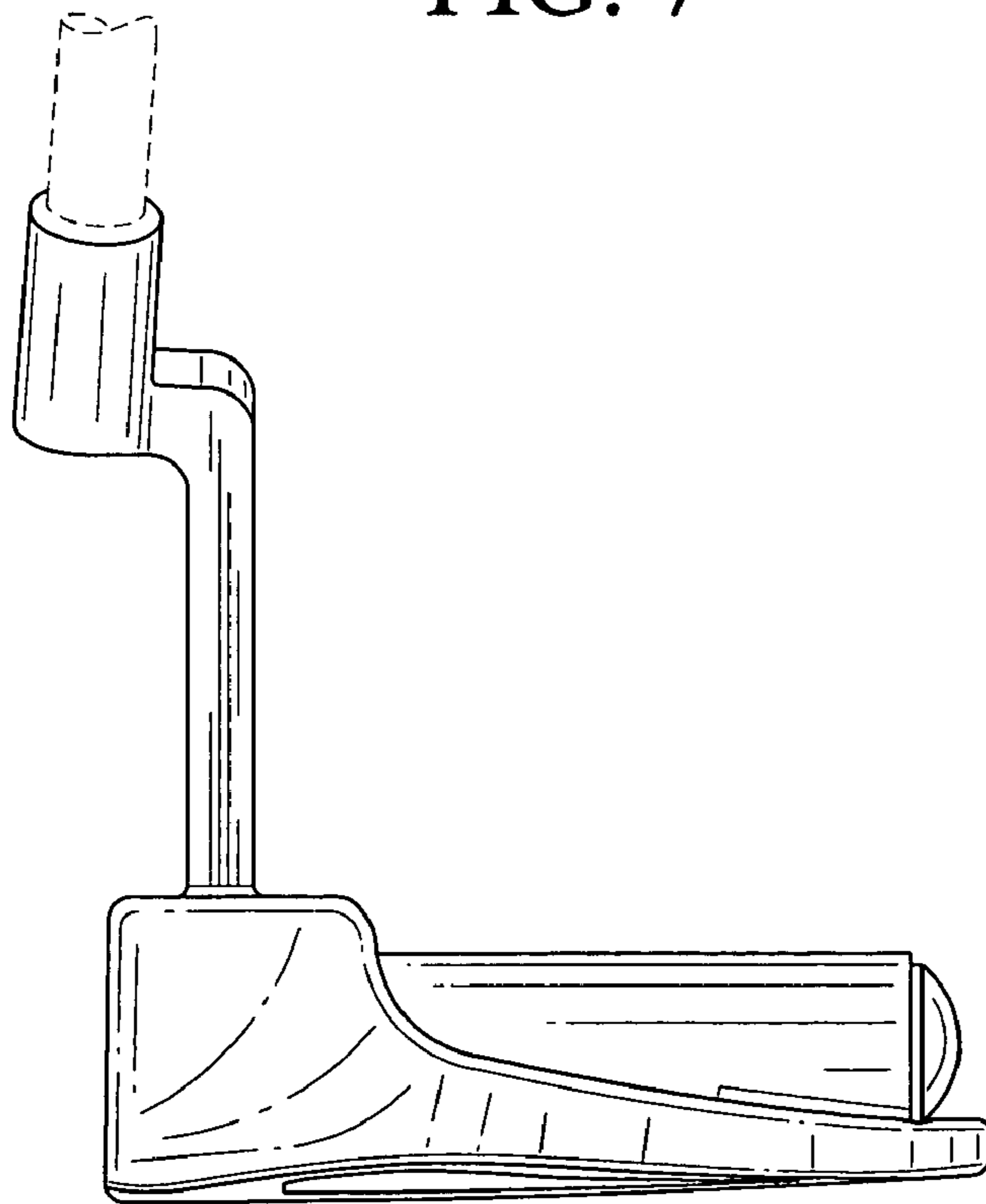


FIG. 8