



US00D624614S

(12) **United States Design Patent**
Lien

(10) **Patent No.:** **US D624,614 S**

(45) **Date of Patent:** **** *Sep. 28, 2010**

(54) **DUMBBELL**

(76) Inventor: **Louis Lien**, 2516 Fairway Park Dr.,
Houston, TX (US) 77092

(*) Notice: This patent is subject to a terminal disclaimer.

(**) Term: **14 Years**

(21) Appl. No.: **29/310,580**

(22) Filed: **Aug. 27, 2008**

(51) **LOC (9) Cl.** **21-02**

(52) **U.S. Cl.** **D21/681**

(58) **Field of Classification Search** D21/662,
D21/680, 681, 683, 684; 482/105, 106, 107,
482/108

See application file for complete search history.

(56) **References Cited**

U.S. PATENT DOCUMENTS

D355,007	S	*	1/1995	Rojas et al.	D21/681
6,099,443	A	*	8/2000	Landfair	482/108
6,120,420	A	*	9/2000	Pearson et al.	482/108
D444,516	S	*	7/2001	Pearson et al.	D21/681

D496,414	S	*	9/2004	Harms et al.	D21/681
D504,923	S	*	5/2005	Harms et al.	D21/681
D509,266	S	*	9/2005	Golliher	D21/566
7,048,678	B2	*	5/2006	Harms et al.	482/107
D545,927	S	*	7/2007	Lien	D21/681
D546,908	S	*	7/2007	Lien	D21/681

* cited by examiner

Primary Examiner—Philip S Hyder
Assistant Examiner—Susan E Krakower

(57) **CLAIM**

The ornamental design for a dumbbell, as shown and described.

DESCRIPTION

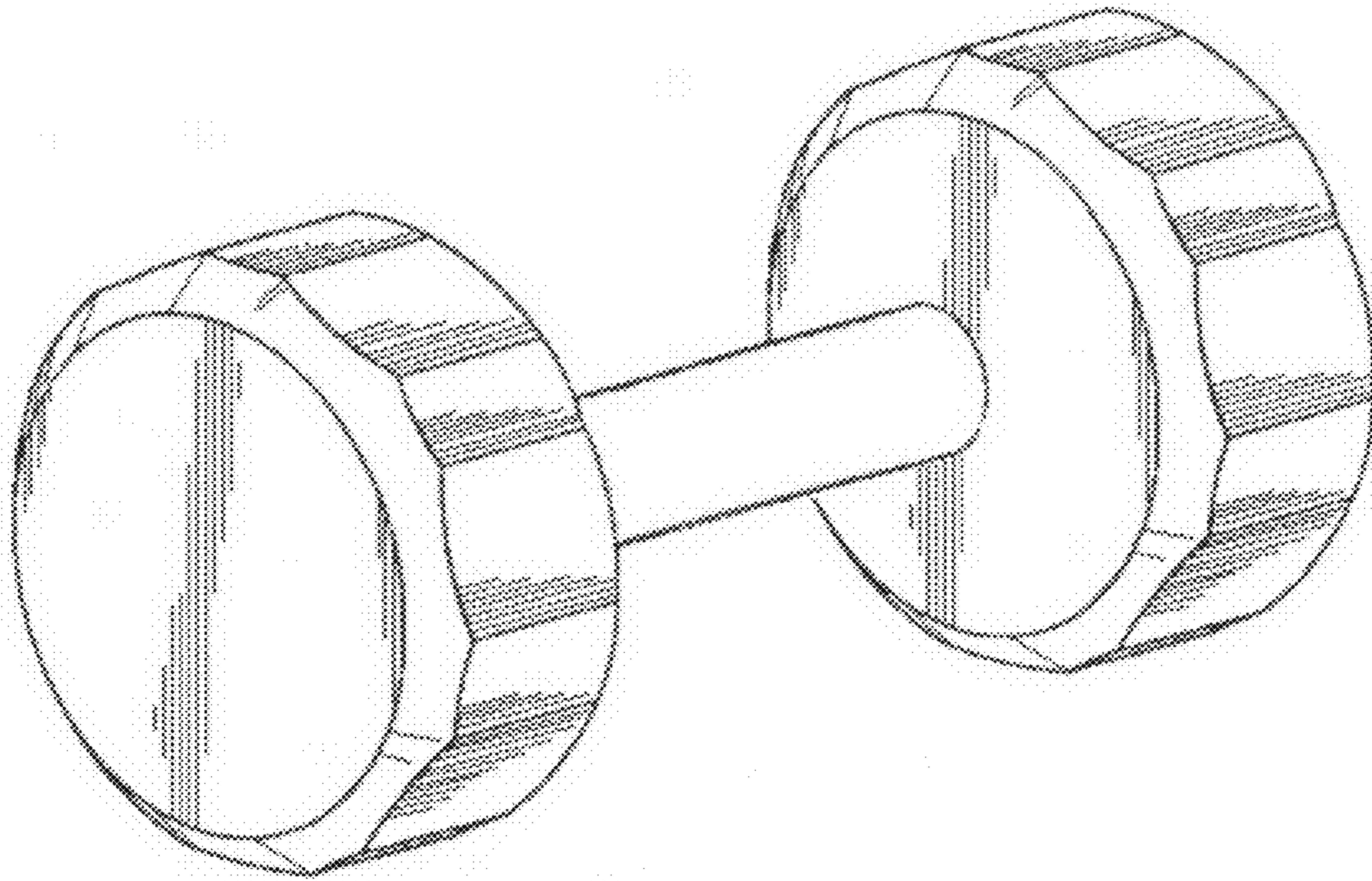
FIG. 1 is a perspective view of a dumbbell showing my new design;

FIG. 2 is a top view thereof;

FIG. 3 is an end view thereof, the opposite side being a mirror image; and,

FIG. 4 is a side view thereof, the opposite side being a mirror image.

1 Claim, 2 Drawing Sheets



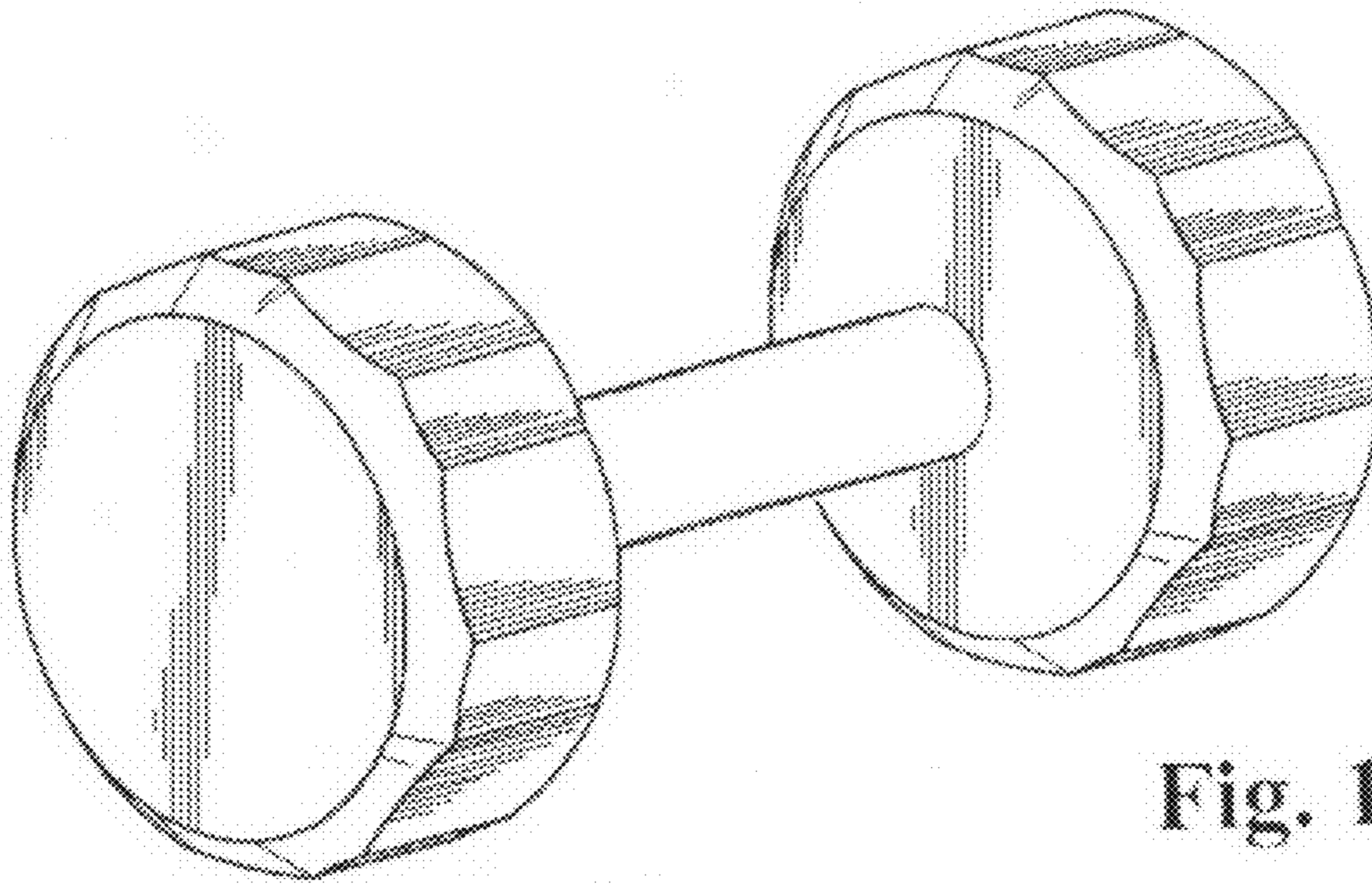


Fig. 1

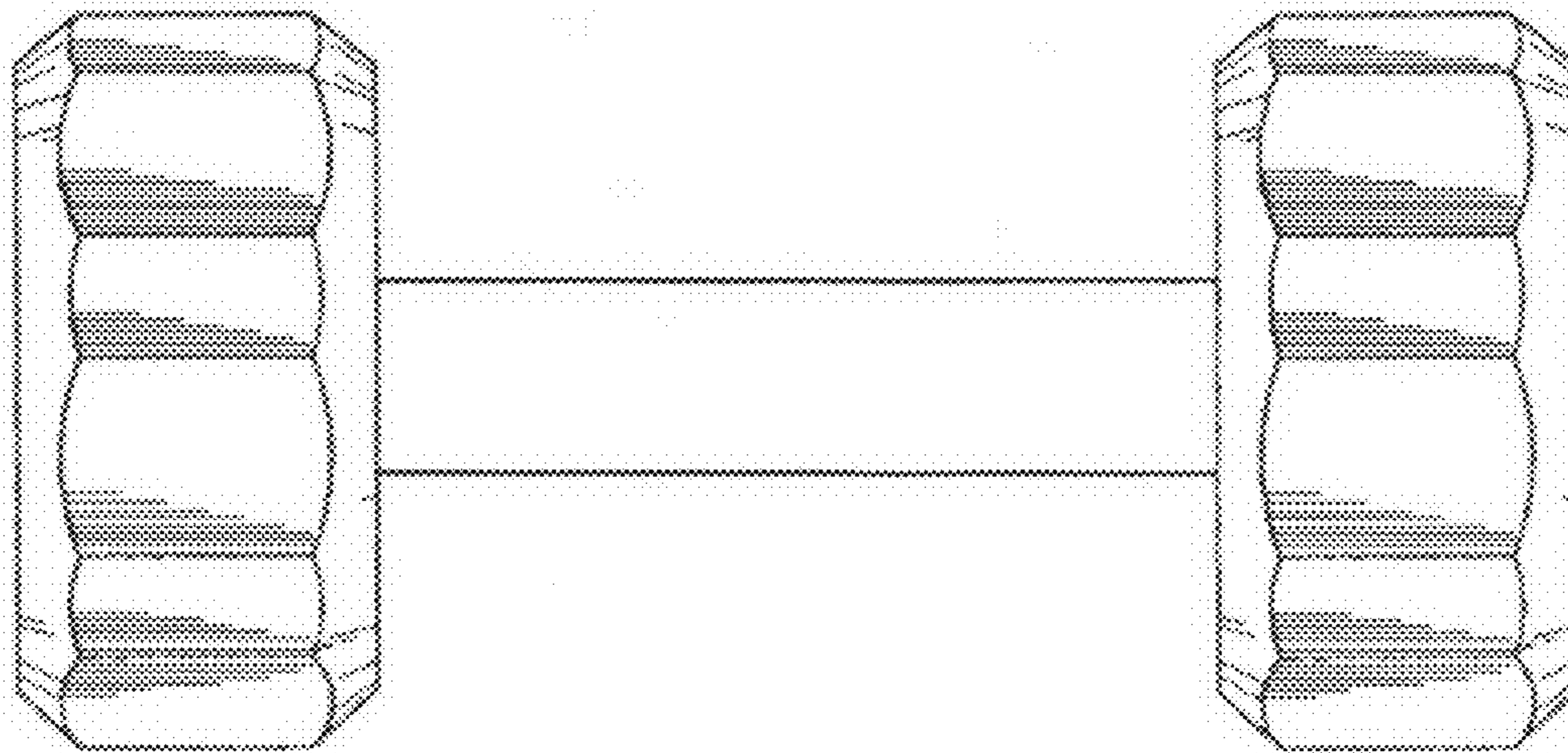


Fig. 2

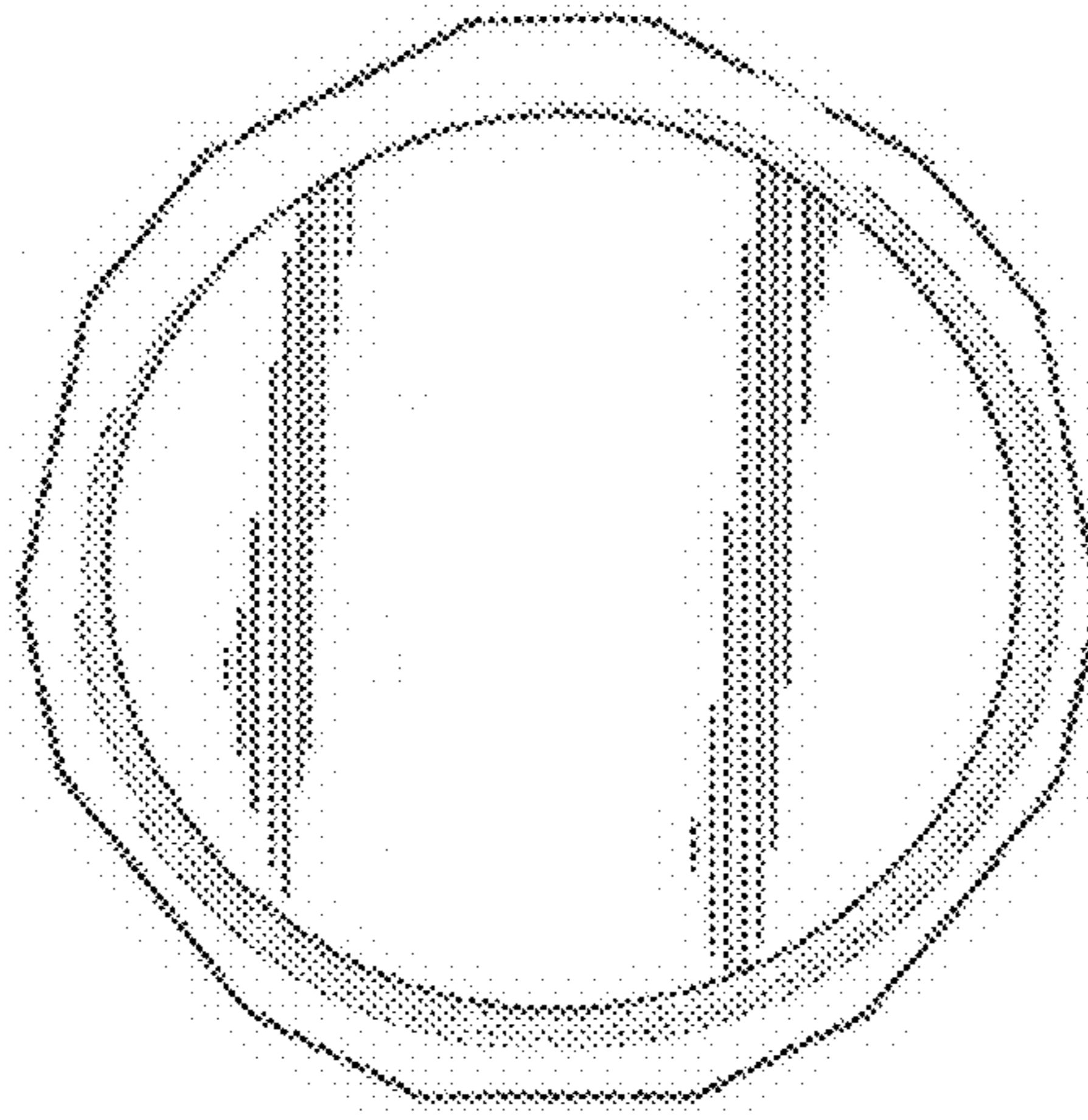


Fig. 3

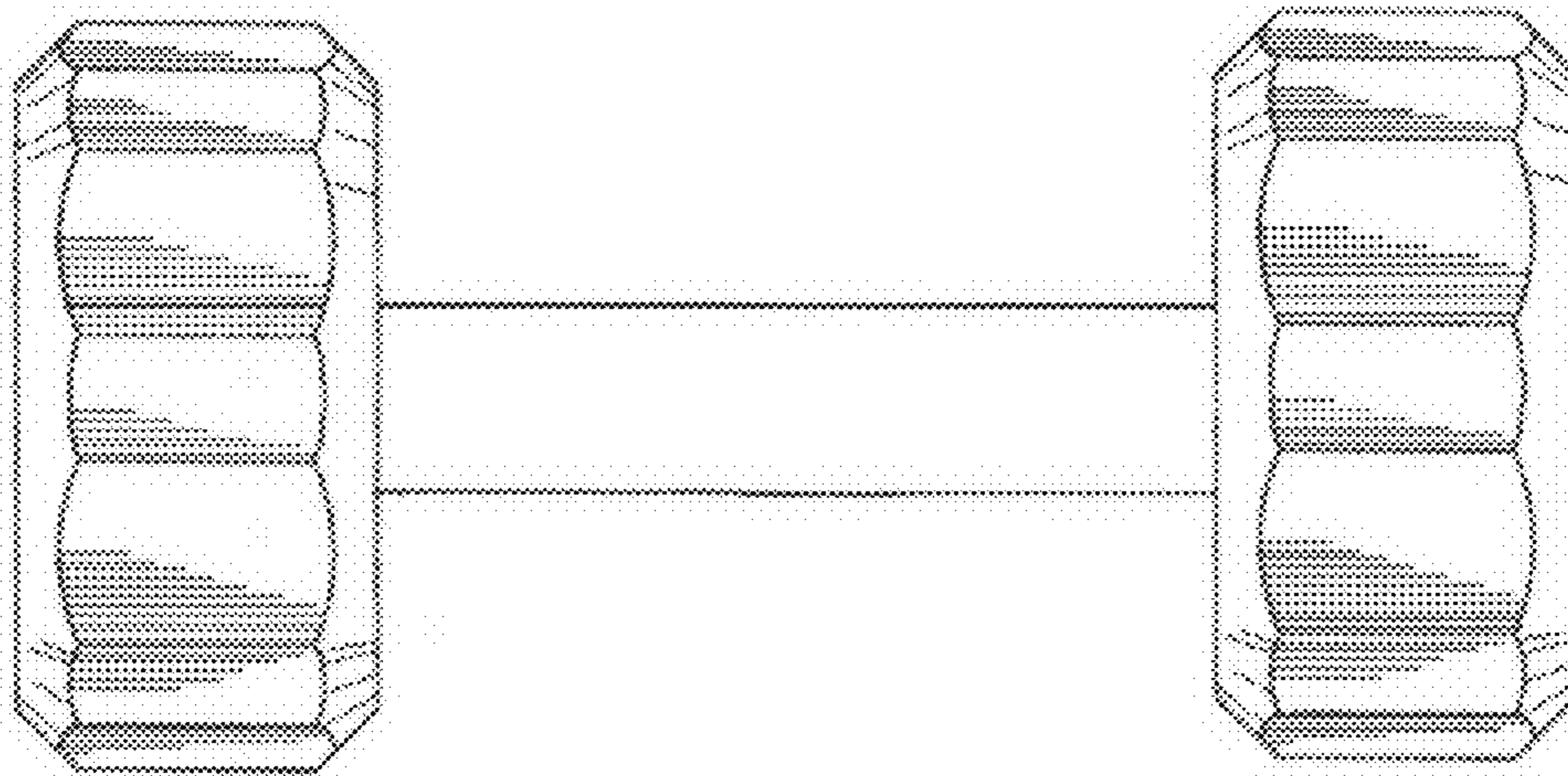


Fig. 4