

US00D624613S

(12) **United States Design Patent**
Hsiung

(10) **Patent No.:** **US D624,613 S**

(45) **Date of Patent:** **** Sep. 28, 2010**

(54) **SKIING SIMULATOR**

(76) Inventor: **Bob Hsiung**, 3F-2, No. 6, Lane 35, San Min Rd., Taipei City (TW)

(**) Term: **14 Years**

(21) Appl. No.: **29/333,878**

(22) Filed: **Mar. 17, 2009**

(30) **Foreign Application Priority Data**

Sep. 23, 2008 (TW) 97305438

(51) **LOC (9) Cl.** **21-02**

(52) **U.S. Cl.** **D21/668**

(58) **Field of Classification Search** D21/687,
D21/686, 662, 694, 692, 797, 689, 698, 788;
482/124, 125, 129, 142, 137, 96; 248/121,
248/125.1; 297/461

See application file for complete search history.

(56) **References Cited**

U.S. PATENT DOCUMENTS

- D388,847 S * 1/1998 Whan-Tong et al. D21/670
- D405,852 S * 2/1999 McBride D21/670
- D408,477 S * 4/1999 Arnold et al. D21/668
- D410,978 S * 6/1999 Littrell et al. D21/668
- 6,063,008 A * 5/2000 McBride et al. 482/52
- D429,781 S * 8/2000 Arnold et al. D21/668
- 6,117,052 A * 9/2000 Frost et al. 482/52
- 6,149,551 A * 11/2000 Pyles et al. 482/52
- D438,581 S * 3/2001 Shaw D21/697
- D438,919 S * 3/2001 Shaw D21/697
- D449,356 S * 10/2001 Arnold et al. D21/668
- D459,418 S * 6/2002 Hsiung D21/668
- D464,096 S * 10/2002 Lee D21/694
- D464,688 S * 10/2002 May et al. D21/668

- D464,689 S * 10/2002 May et al. D21/668
- D465,000 S * 10/2002 Arnold et al. D21/668
- 6,508,746 B1 * 1/2003 Jacobs et al. 482/71
- D530,758 S * 10/2006 Kim D21/668
- 7,285,075 B2 * 10/2007 Cutler et al. 482/54
- D558,841 S * 1/2008 Clawson et al. D21/668
- D559,925 S * 1/2008 Horita D21/670
- D565,130 S * 3/2008 Olson D21/670
- D590,033 S * 4/2009 Wang et al. D21/694
- D600,293 S * 9/2009 Horita D21/694
- 2009/0264801 A1 * 10/2009 Van Der Meer 601/70

* cited by examiner

Primary Examiner—Robert M Spear
Assistant Examiner—Cynthia Underwood
(74) *Attorney, Agent, or Firm*—Leong C. Lei

(57) **CLAIM**

The ornamental design for a skiing simulator, as shown and described.

DESCRIPTION

FIG. 1 is a perspective view of a skiing simulator showing my new design;

FIG. 2 is a front elevational view thereof;

FIG. 3 is a rear elevational view thereof;

FIG. 4 is a left side perspective view thereof;

FIG. 5 is a right side perspective view thereof;

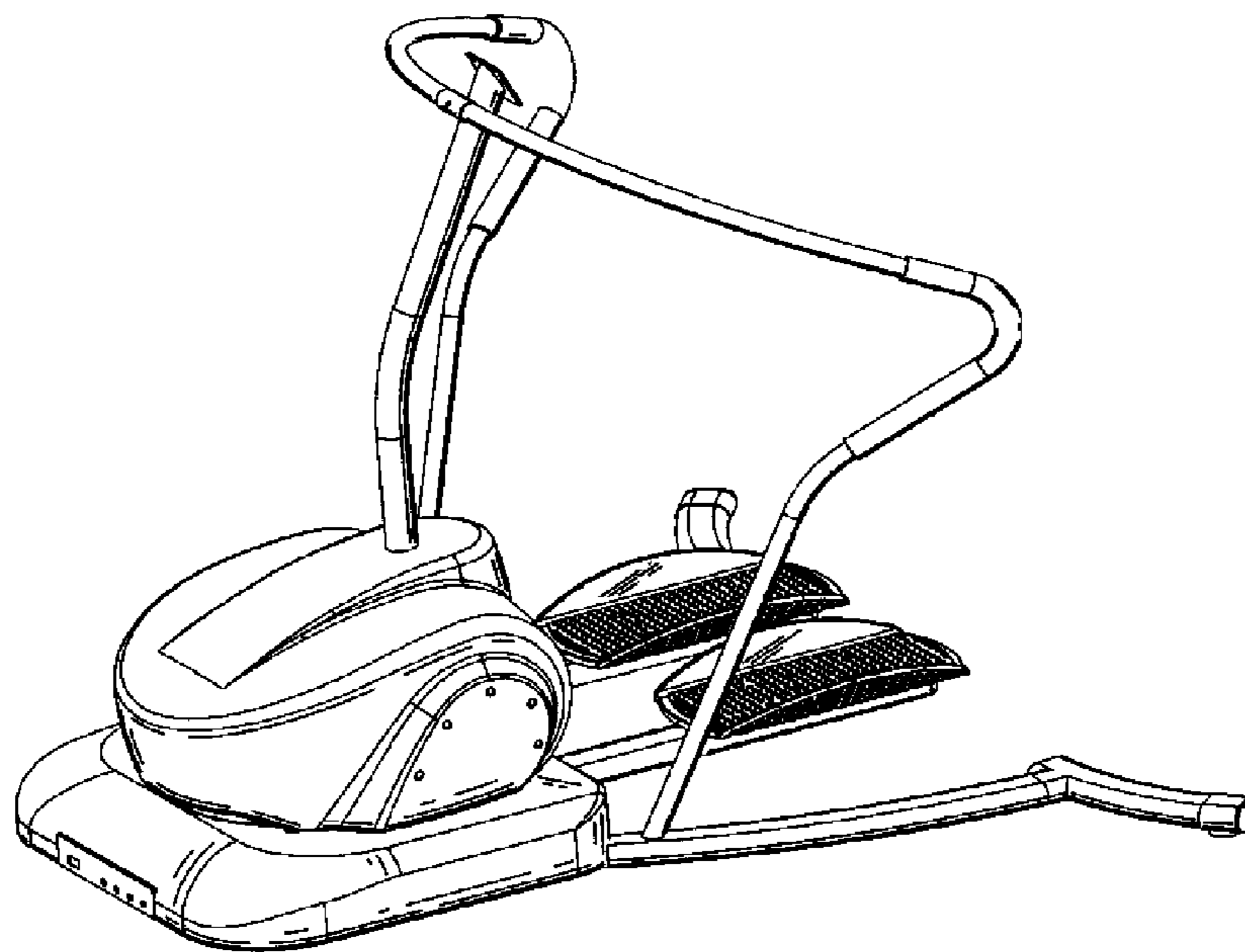
FIG. 6 is a top plan view thereof;

FIG. 7 is a bottom plan view thereof; and,

FIG. 8 is another perspective view thereof.

The broken lines illustrate portions of the skiing simulator that form no part of the claimed design.

1 Claim, 5 Drawing Sheets



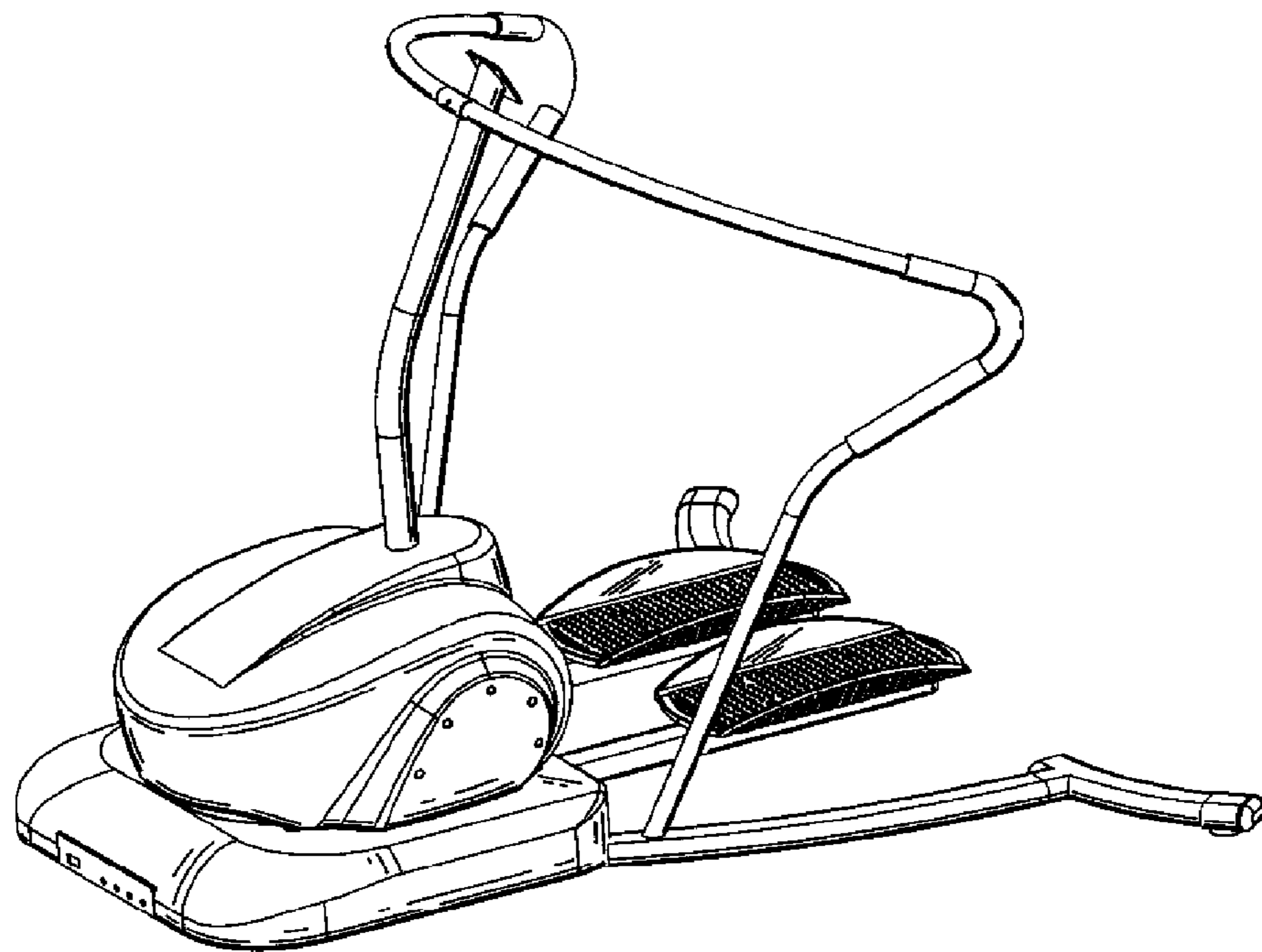


FIG. 1

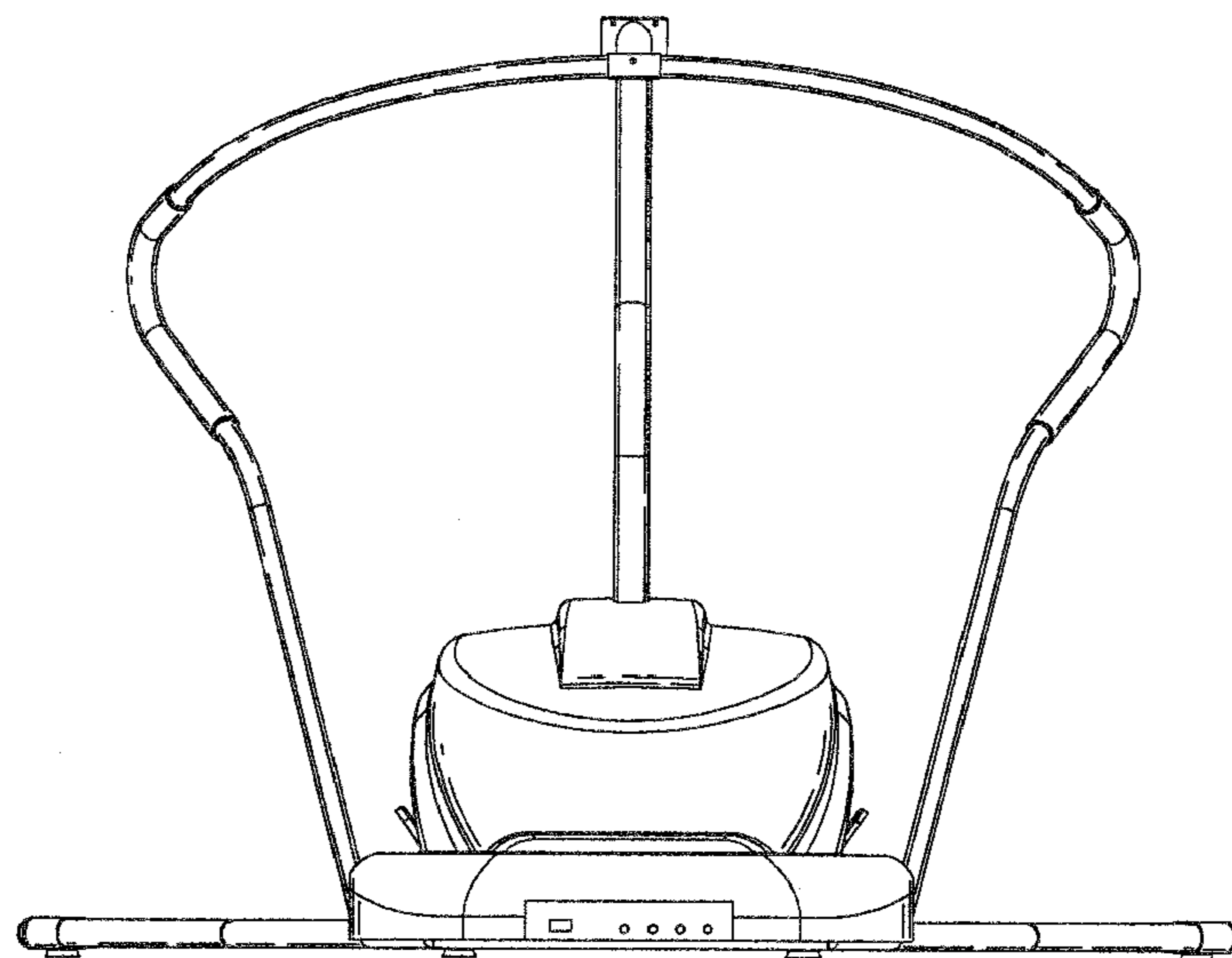


FIG. 2

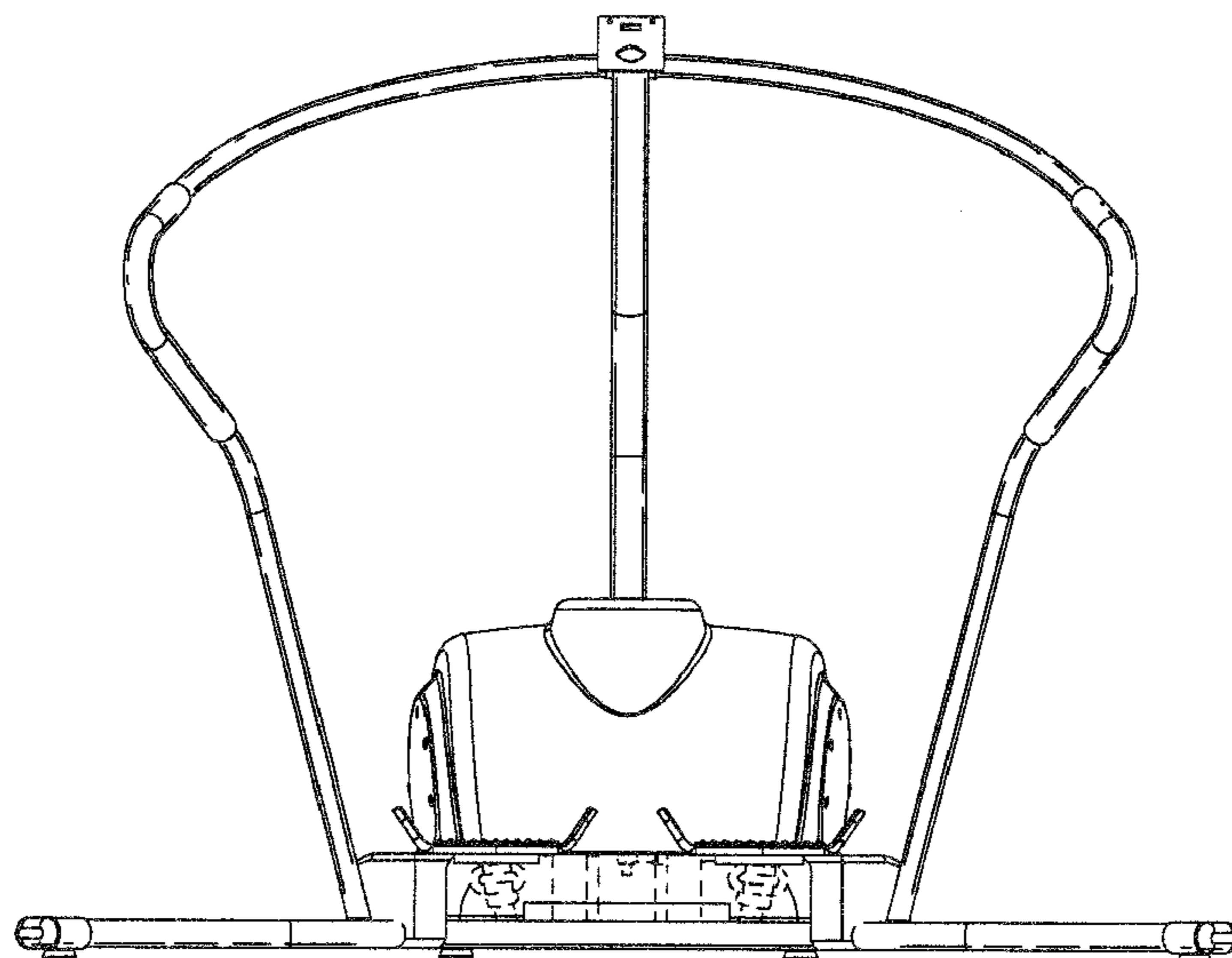


FIG. 3

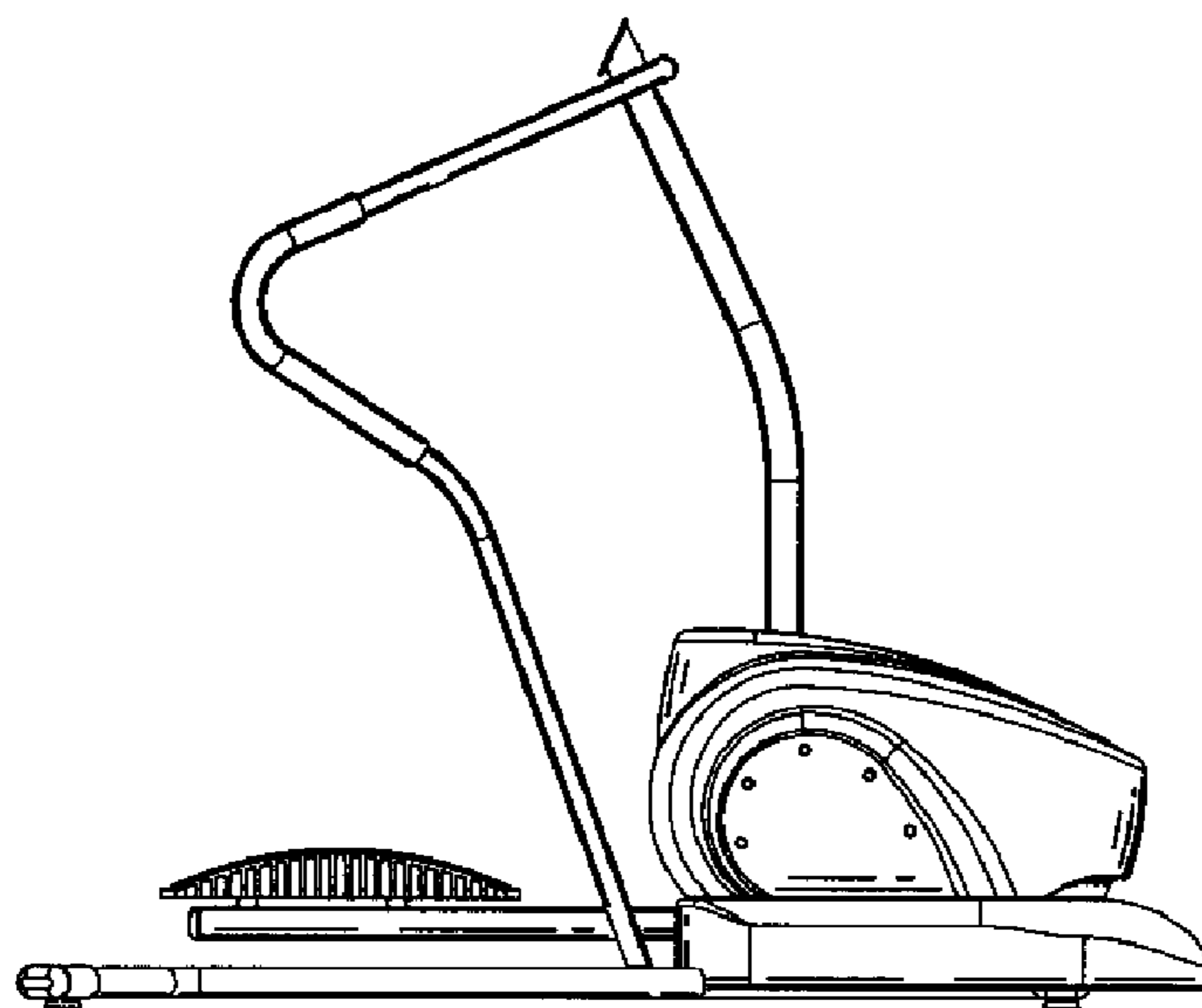


FIG. 4

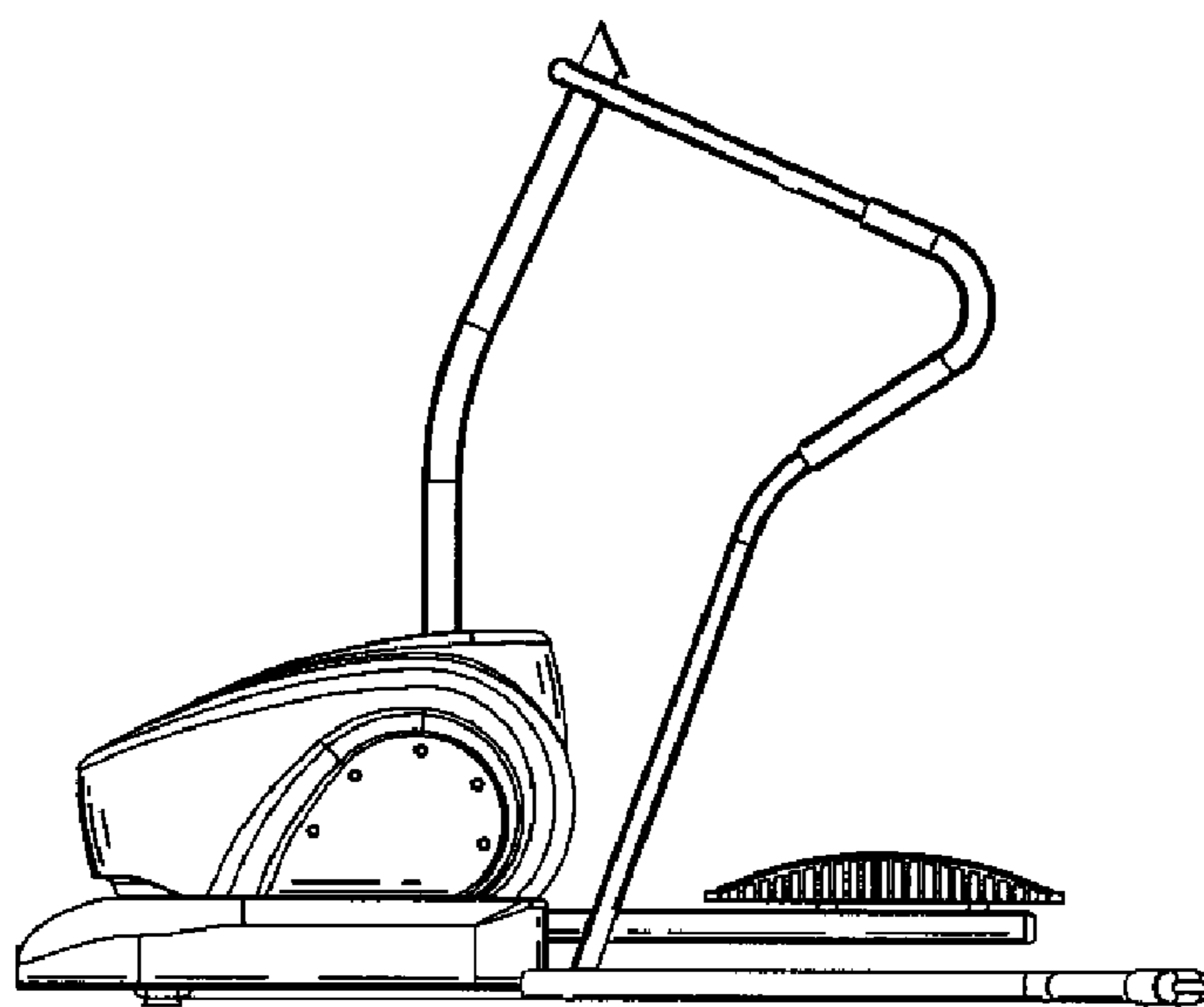


FIG. 5

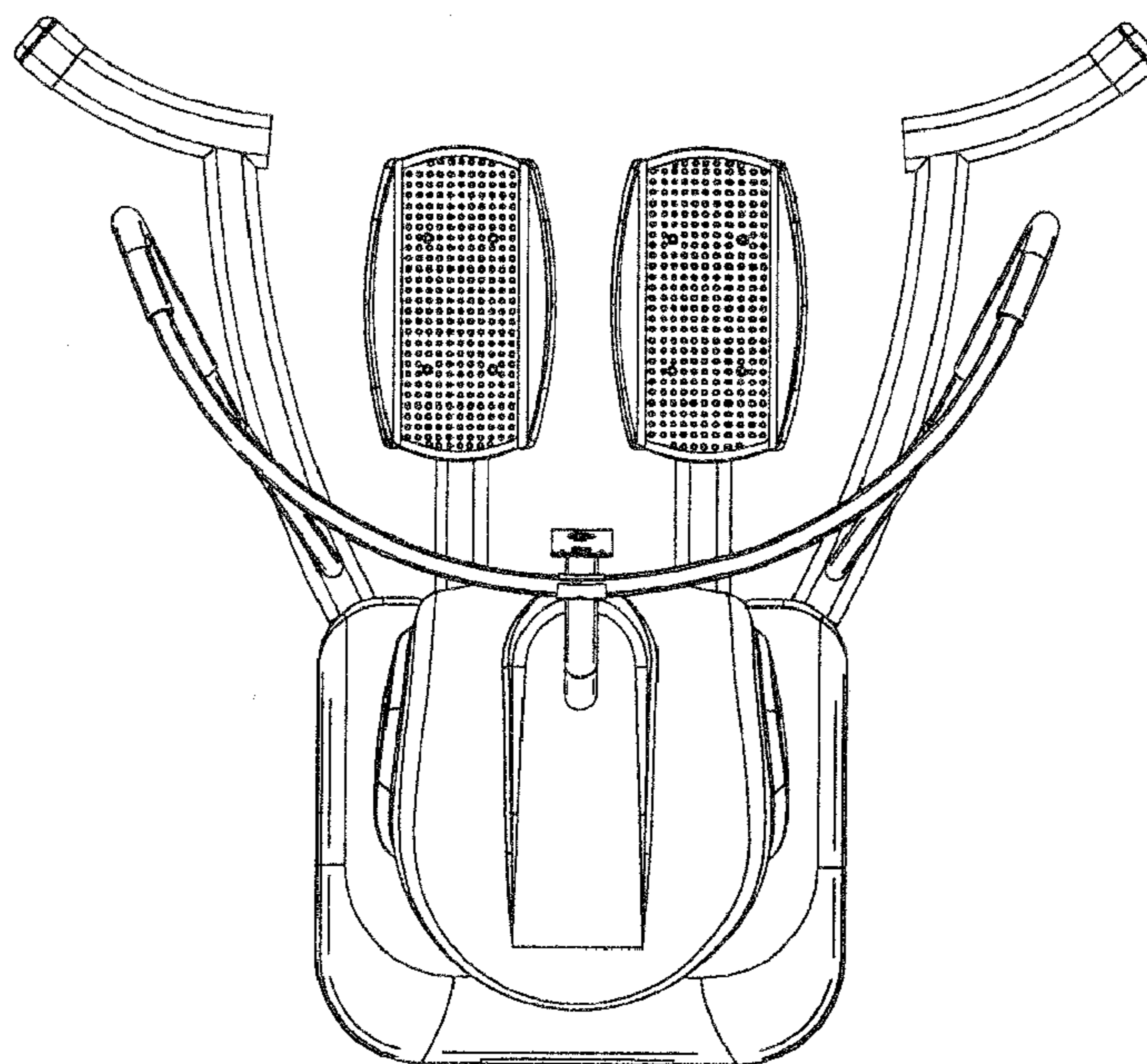


FIG. 6

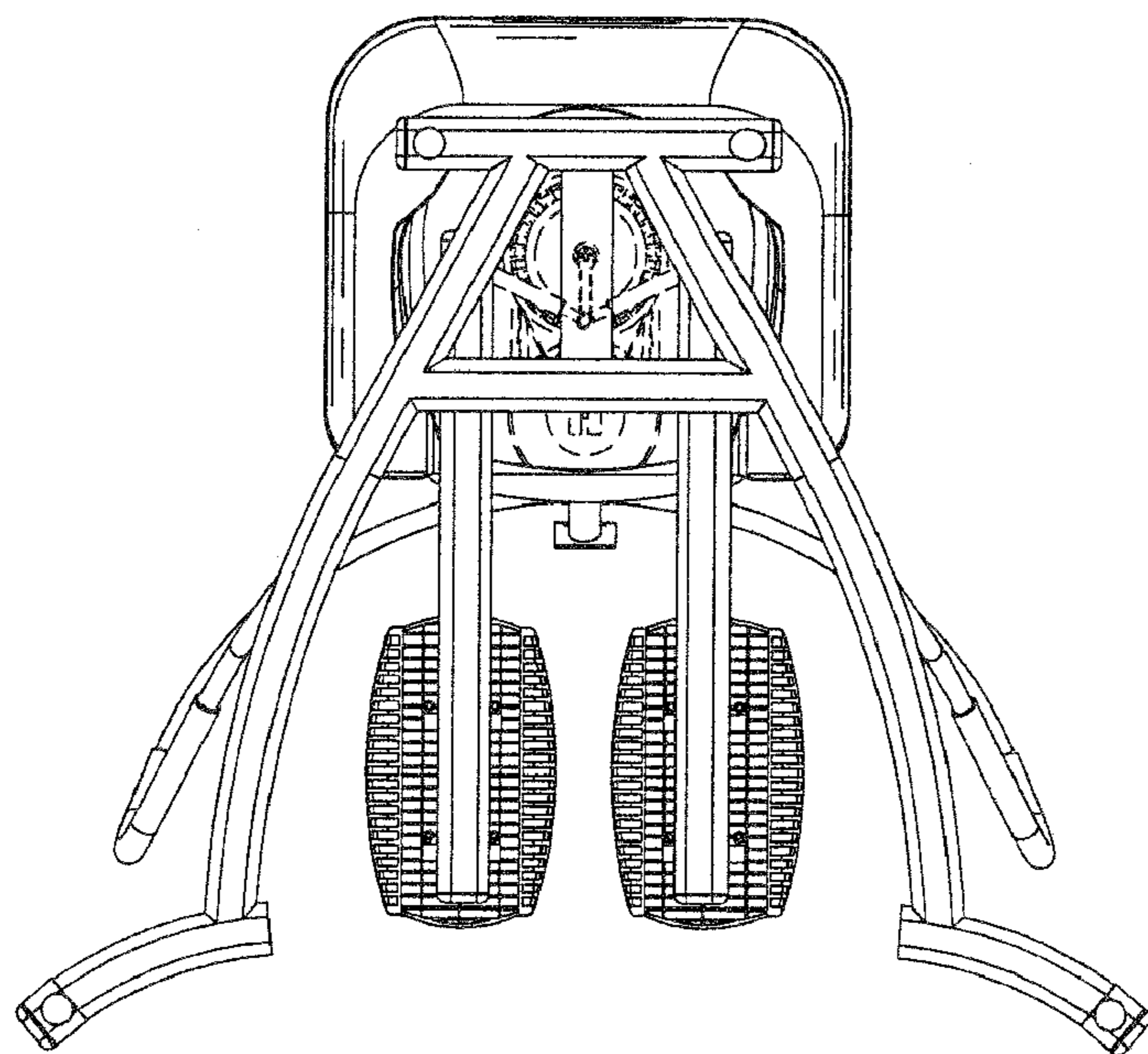


FIG. 7

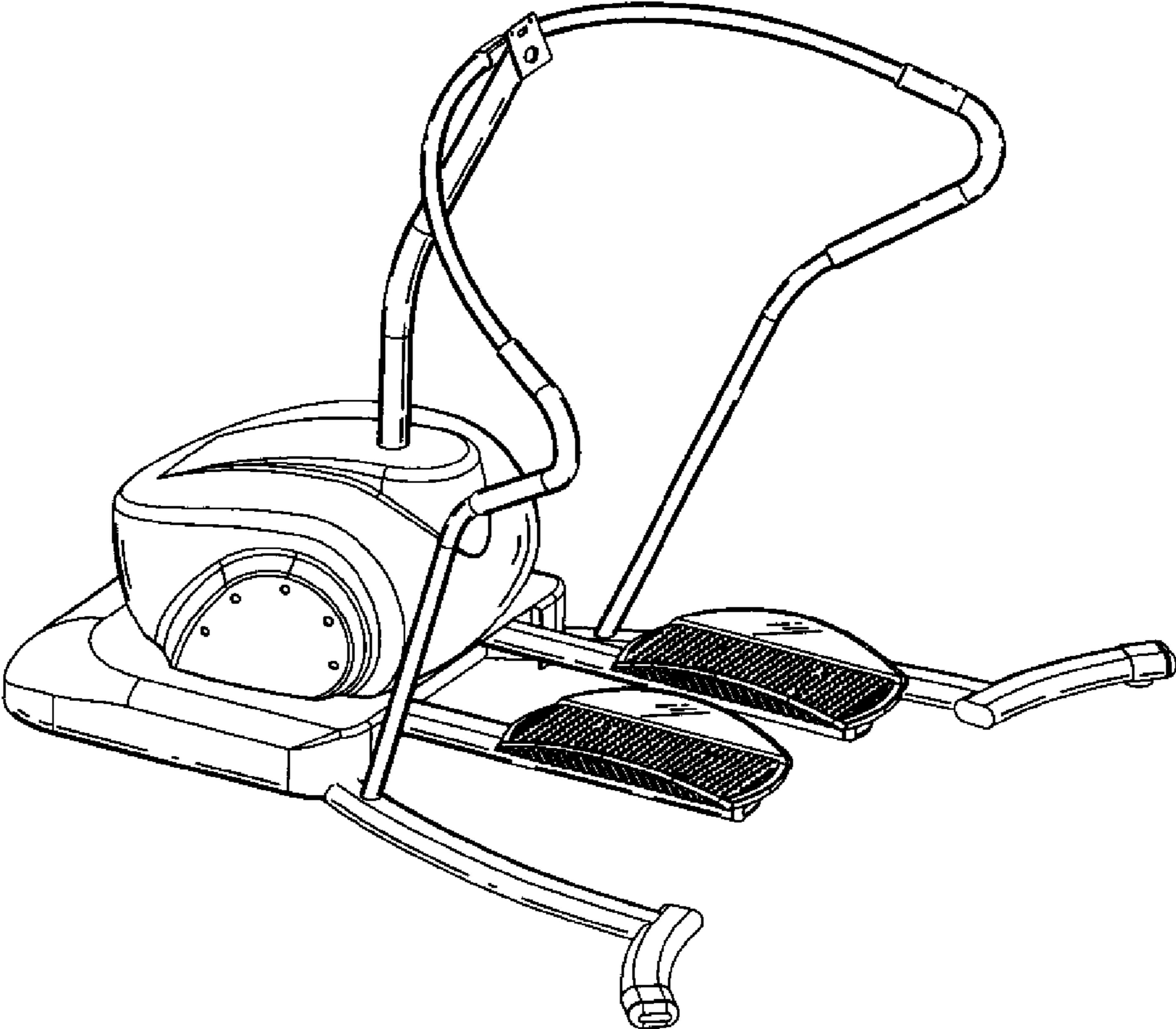


FIG. 8