



US00D624612S

(12) **United States Design Patent**
Watt

(10) **Patent No.:** **US D624,612 S**
(45) **Date of Patent:** **** Sep. 28, 2010**

- (54) **EXERCISE BIKE**
- (75) Inventor: **Jonathan B. Watt**, Broomfield, CO (US)
- (73) Assignee: **Nautilus, Inc.**, Vancouver, WA (US)
- (**) Term: **14 Years**
- (21) Appl. No.: **29/345,698**
- (22) Filed: **Oct. 21, 2009**
- (51) **LOC (9) Cl.** **21-02**
- (52) **U.S. Cl.** **D21/667**
- (58) **Field of Classification Search** D21/662-670,
D21/694, 697; 482/51-52, 57-65; 280/266,
280/282, 284, 288.1, 288.3, 304.4, 835; D12/111
See application file for complete search history.

D284,596 S 7/1986 McNeil

(Continued)

FOREIGN PATENT DOCUMENTS

DE 29900028 4/1999

(Continued)

OTHER PUBLICATIONS

U.S. Appl. No. 12/723,492, filed Mar. 12, 2010, Watt et al.

Primary Examiner—Susan E Krakower

(74) *Attorney, Agent, or Firm*—Dorsey & Whitney LLP

(57) **CLAIM**

The ornamental design for an exercise bike, as shown and described.

(56) **References Cited**

U.S. PATENT DOCUMENTS

2,406,344	A	8/1946	Bergfors	
3,233,916	A	2/1966	Bowden	
3,554,585	A	1/1971	Sorenson	
3,708,937	A	1/1973	Sterner	
3,952,987	A	4/1976	Bevington	
3,995,491	A	12/1976	Wolfla, II	
4,003,168	A	1/1977	Brady	
4,113,221	A	9/1978	Wehner	
D251,747	S	5/1979	Valentine et al.	
4,165,854	A	8/1979	Duly	
4,313,602	A	2/1982	Sullivan	
4,337,503	A	6/1982	Turner	
4,340,125	A	7/1982	Watanabe et al.	
4,513,986	A	4/1985	Trimble	
D280,117	S	8/1985	Collins	
D280,118	S	8/1985	Collins	
D280,226	S *	8/1985	Kasuba et al. D21/667
4,550,927	A	11/1985	Resele	

DESCRIPTION

FIG. 1 is a rear isometric view of an exercise bike of the present invention, with the broken lines representing an environment of the exercise bike and forming no part of the claimed design;

FIG. 2 is a right elevation view of the exercise bike of FIG. 1;

FIG. 3 is a front view of the exercise bike of FIG. 1;

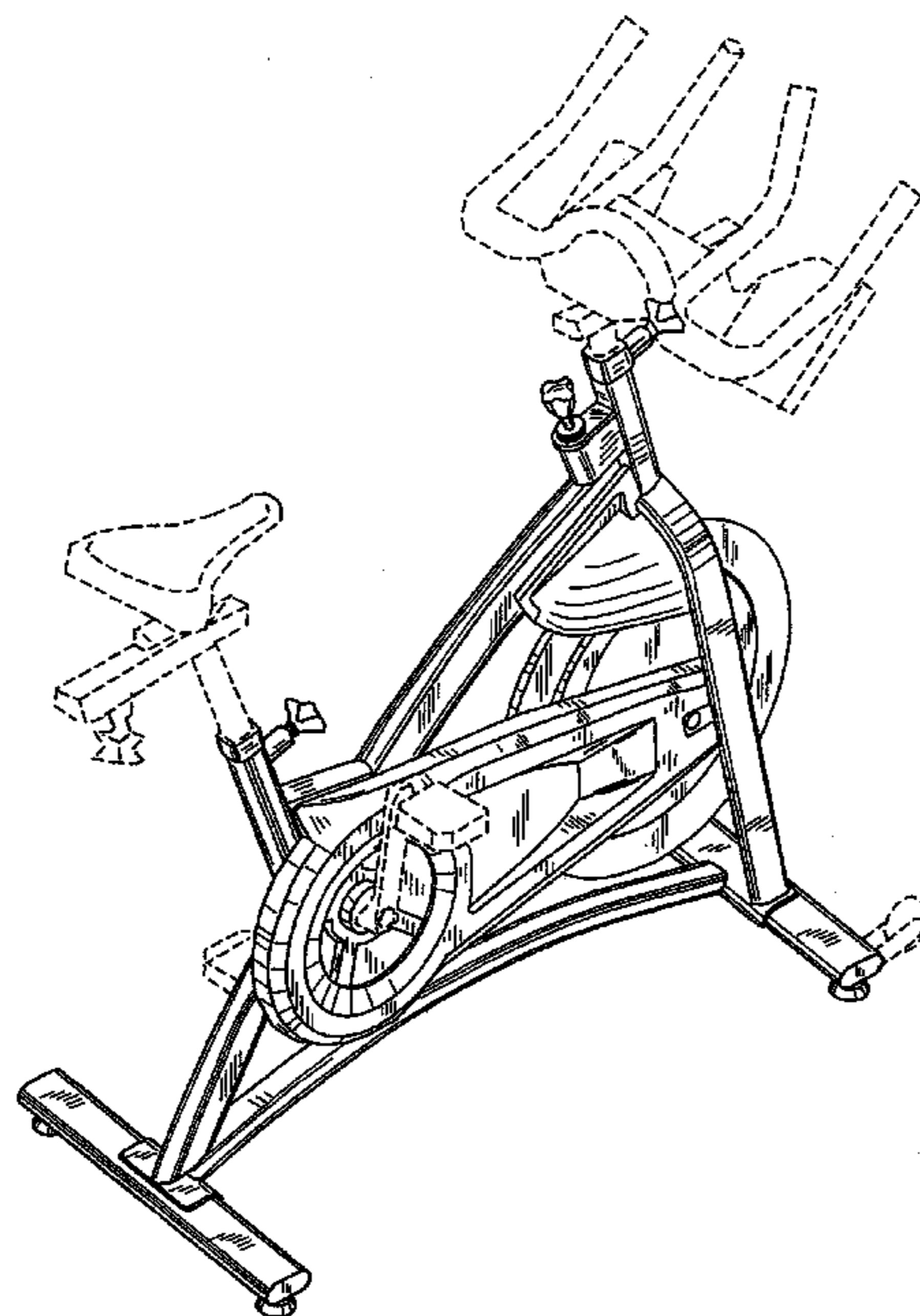
FIG. 4 is a left elevation view of the exercise bike of FIG. 1;

FIG. 5 is a rear elevation view of the exercise bike of FIG. 1, with the broken lines defining the bounds of the exercise bike and forming no part of the claimed design;

FIG. 6 is a top view of the exercise bike of FIG. 1, with the broken lines defining the bounds of the exercise bike and forming no part of the claimed design; and,

FIG. 7 is a bottom view of the exercise bike of FIG. 1.

1 Claim, 6 Drawing Sheets



US D624,612 S

U.S. PATENT DOCUMENTS

D285,953	S	9/1986	Gustafsson	6,468,185	B1	10/2002	Goldberg
4,613,146	A	9/1986	Sharp et al.	D473,602	S *	4/2003	Baudhuin et al. D21/697
D289,782	S	5/1987	Szymiski et al.	6,551,226	B1	4/2003	Webber et al.
D291,462	S	8/1987	Aalto	D474,252	S	5/2003	Lull et al.
D291,713	S	9/1987	Kiiski	6,564,673	B1	5/2003	Kilmer
D292,225	S	10/1987	Breger	6,612,600	B2	9/2003	Devitt et al.
D292,304	S	10/1987	Ostrom	6,612,970	B2	9/2003	Forcillo
D296,457	S	6/1988	Anitua	6,669,603	B1	12/2003	Forcillo
D299,732	S	2/1989	Gustafsson	6,793,608	B2	9/2004	Goldberg
4,824,102	A	4/1989	Lo	6,881,178	B1	4/2005	Goldberg
4,936,570	A	6/1990	Szymiski et al.	6,901,879	B2	6/2005	Burlando
D313,055	S	12/1990	Watterson	6,905,445	B1 *	6/2005	Lin 482/57
5,046,723	A	9/1991	Szymiski et al.	D507,313	S	7/2005	Goldberg
5,224,396	A	7/1993	Lobbezoo et al.	6,918,860	B1 *	7/2005	Nusbaum 482/57
5,285,696	A	2/1994	Taylor	7,081,070	B1	7/2006	Washington et al.
5,319,994	A	6/1994	Miller	D526,031	S	8/2006	Corbalis et al.
5,319,995	A	6/1994	Huang	D532,063	S *	11/2006	Kim et al. D21/697
5,351,980	A	10/1994	Huang	7,172,532	B2	2/2007	Baker
5,423,728	A	6/1995	Goldberg	7,175,570	B2	2/2007	Lull
5,433,552	A	7/1995	Thyu	7,226,393	B2	5/2007	Baker
5,451,071	A	9/1995	Pong et al.	7,326,151	B2	2/2008	Peterson et al.
5,464,240	A	11/1995	Robinson et al.	7,364,533	B2	4/2008	Baker
5,472,396	A	12/1995	Brazaitis	D571,417	S *	6/2008	Su D21/667
5,499,961	A	3/1996	Mattox	7,413,530	B2	8/2008	Warner et al.
D372,284	S	7/1996	Wang et al.	D579,989	S	11/2008	Bingham, Jr. et al.
D380,796	S	7/1997	Wang et al.	7,455,627	B2	11/2008	Goldberg
D382,924	S	8/1997	Wu	7,569,001	B2	8/2009	Warner
D382,925	S	8/1997	Wu	7,591,765	B2	9/2009	Warner
5,660,085	A	8/1997	Tamplin	D616,050	S *	5/2010	Lull D21/667
D385,228	S	10/1997	Thompson et al.	2002/0151414	A1	10/2002	Baker
5,722,916	A	3/1998	Goldberg	2003/0092534	A1 *	5/2003	Forcillo 482/57
5,740,700	A	4/1998	Redmond	2003/0171191	A1	9/2003	Crawford
D407,767	S	4/1999	Chang	2003/0211918	A1	11/2003	Warner et al.
5,934,631	A	8/1999	Becker et al.	2004/0053750	A1 *	3/2004	Forcillo 482/57
5,947,873	A	9/1999	Sands et al.	2004/0248701	A1	12/2004	Baker
5,957,425	A	9/1999	Conway et al.	2004/0248702	A1	12/2004	Baker
5,961,424	A	10/1999	Warner	2005/0130808	A1 *	6/2005	Lin 482/57
5,996,145	A	12/1999	Taylor	2007/0281835	A1	12/2007	Baker
6,126,577	A	10/2000	Chang	2009/0227429	A1 *	9/2009	Baudhuin 482/57
6,146,313	A	11/2000	Whan-Tong et al.				
6,186,027	B1	2/2001	Nielsen				
6,233,898	B1	5/2001	Burlando				
6,264,878	B1	7/2001	Busby				
6,383,121	B1	5/2002	Galasso et al.				
D460,133	S	7/2002	Baker				
D460,794	S	7/2002	Baker				
6,413,191	B1	7/2002	Harris et al.				

FOREIGN PATENT DOCUMENTS

EP	0312207	4/1999
GB	1281731	7/1972
TW	231529	10/1994
TW	304432	5/1997
WO	WO 9625984	8/1996

* cited by examiner

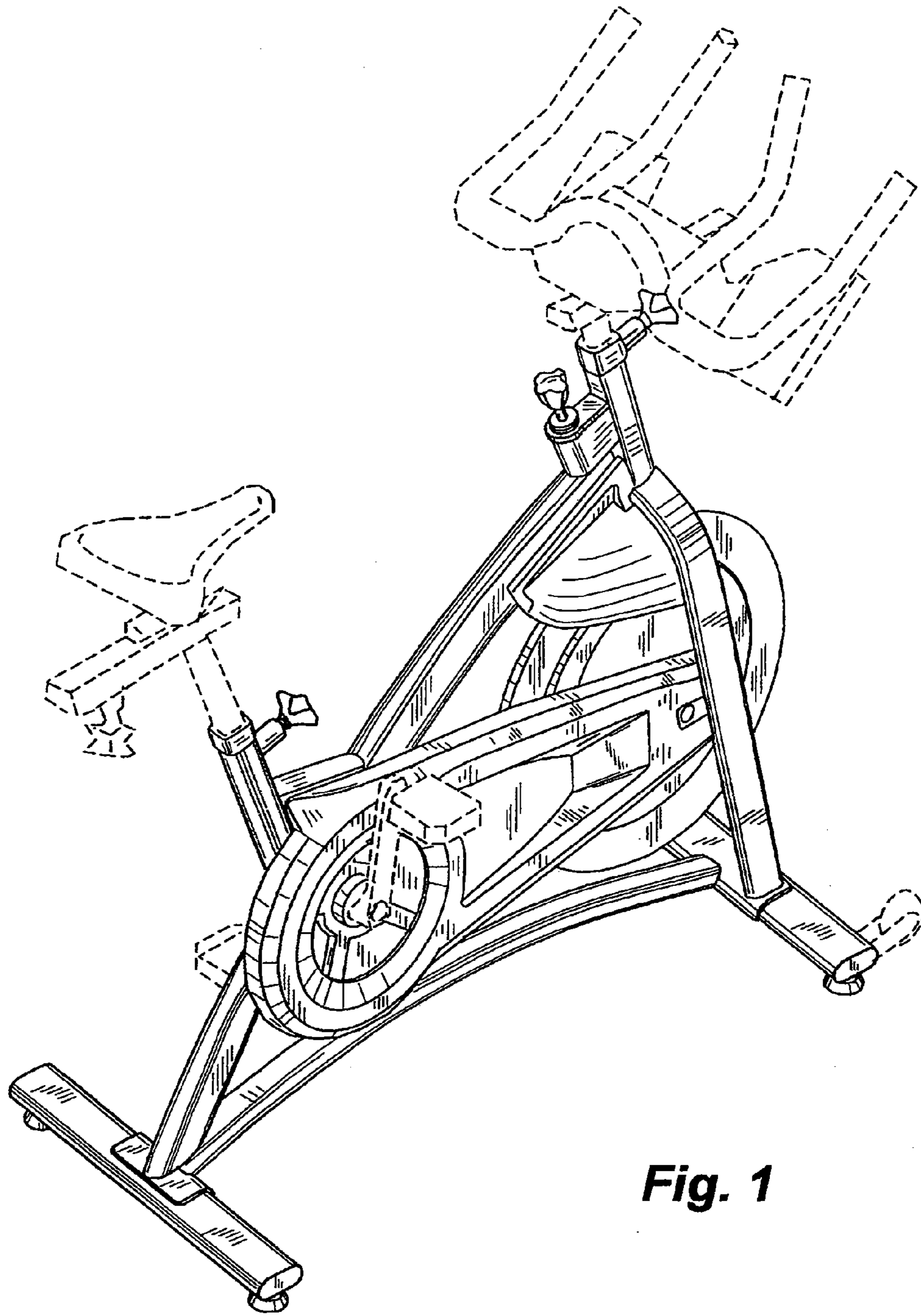


Fig. 1

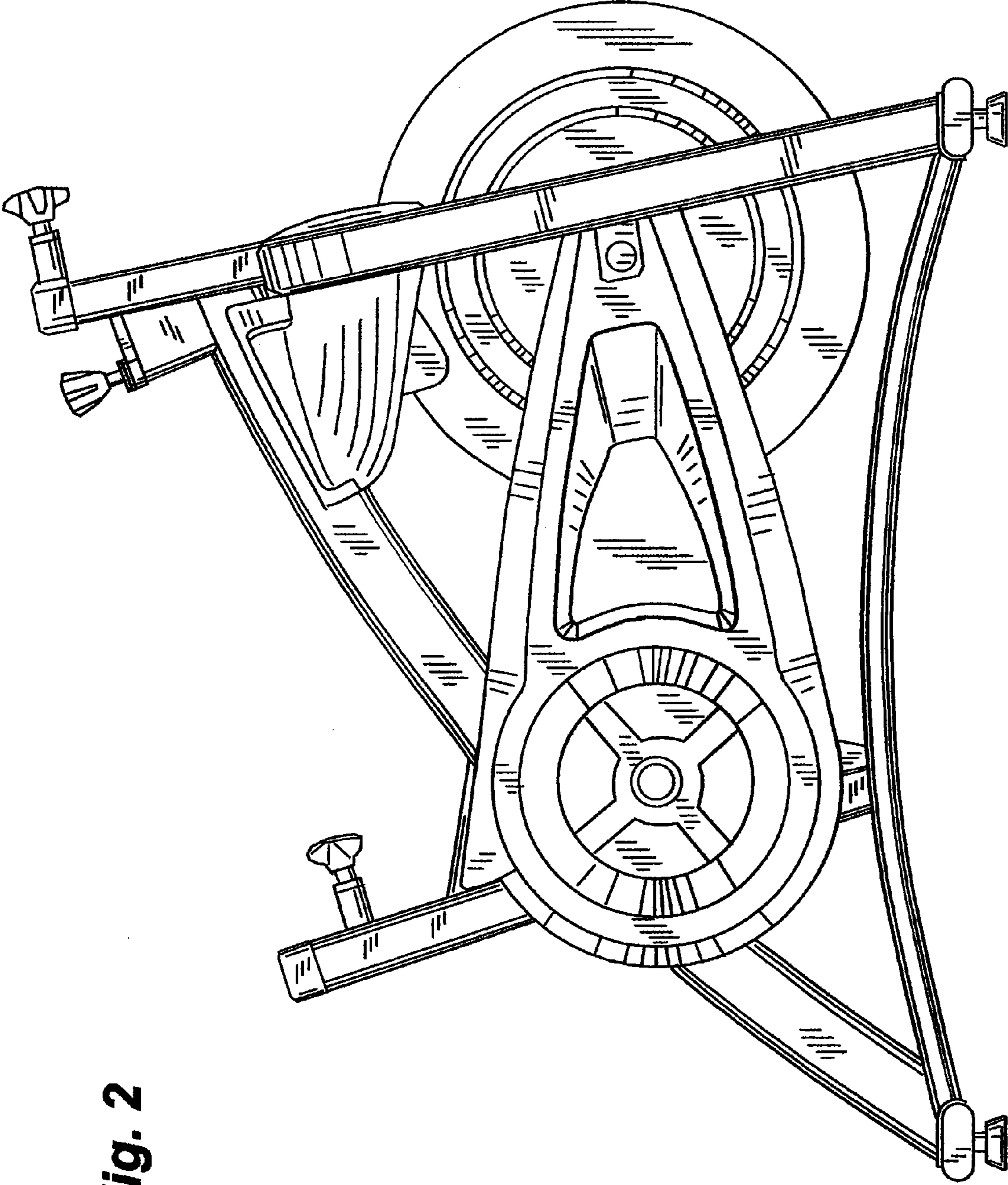


Fig. 2

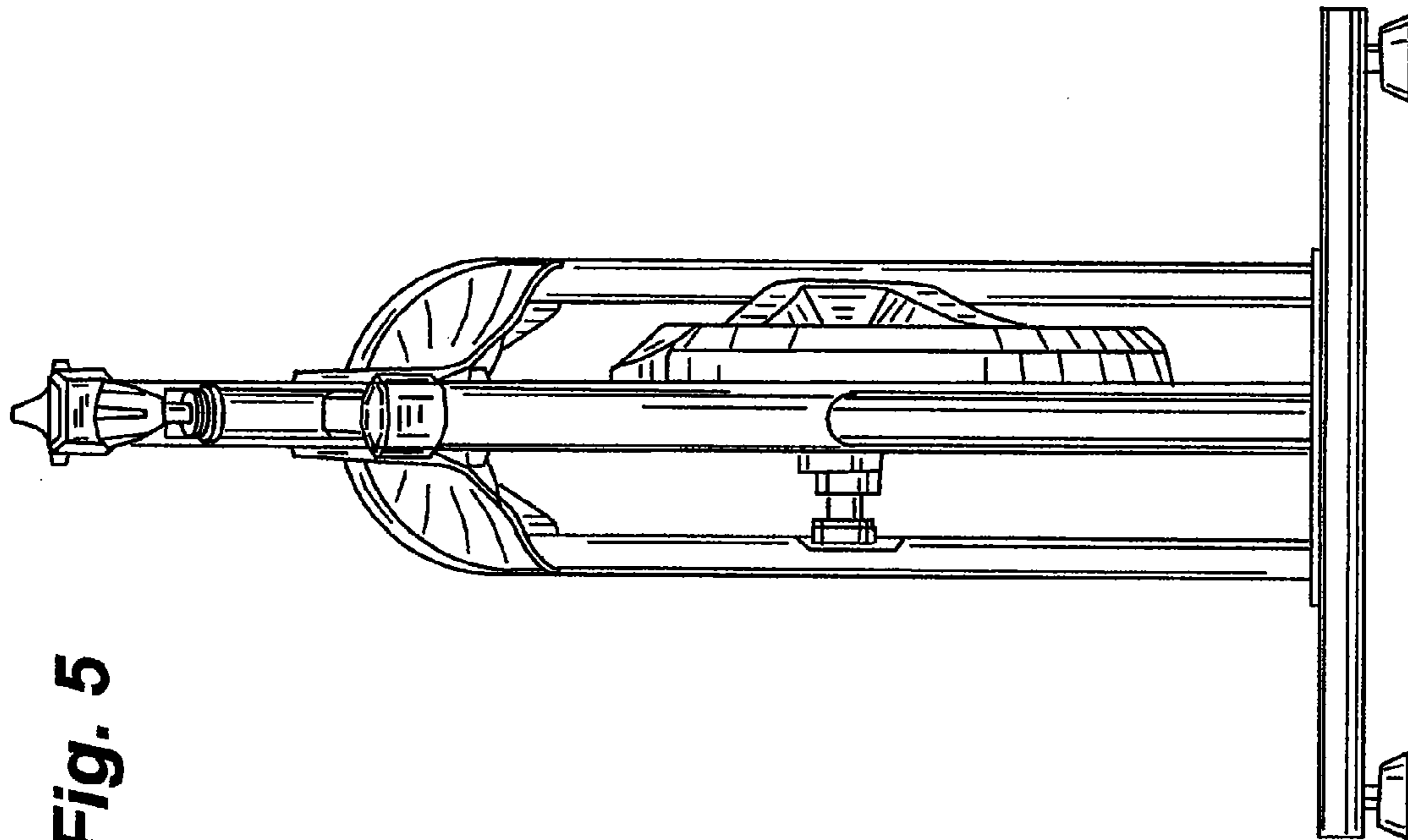


Fig. 5

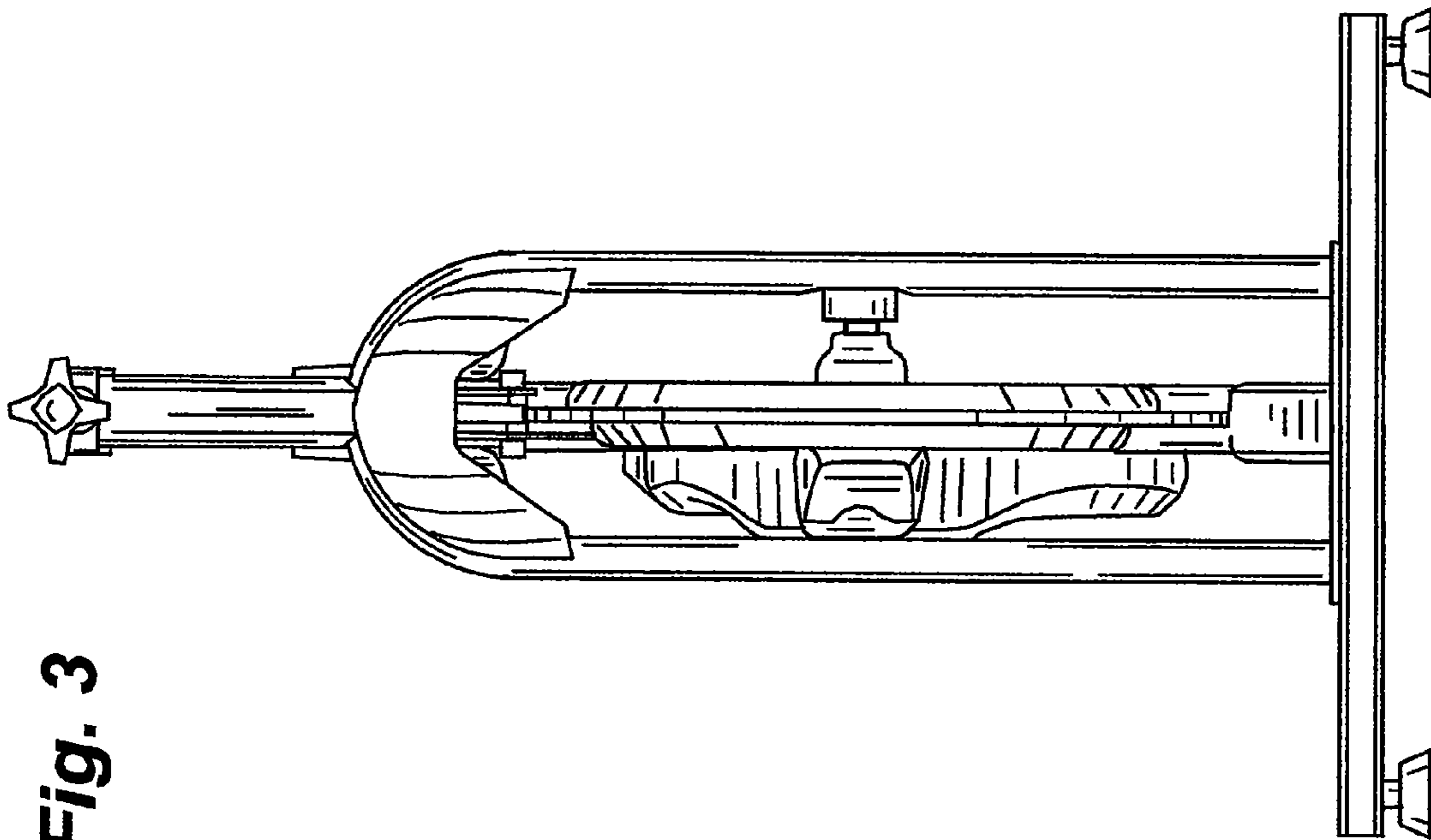


Fig. 3

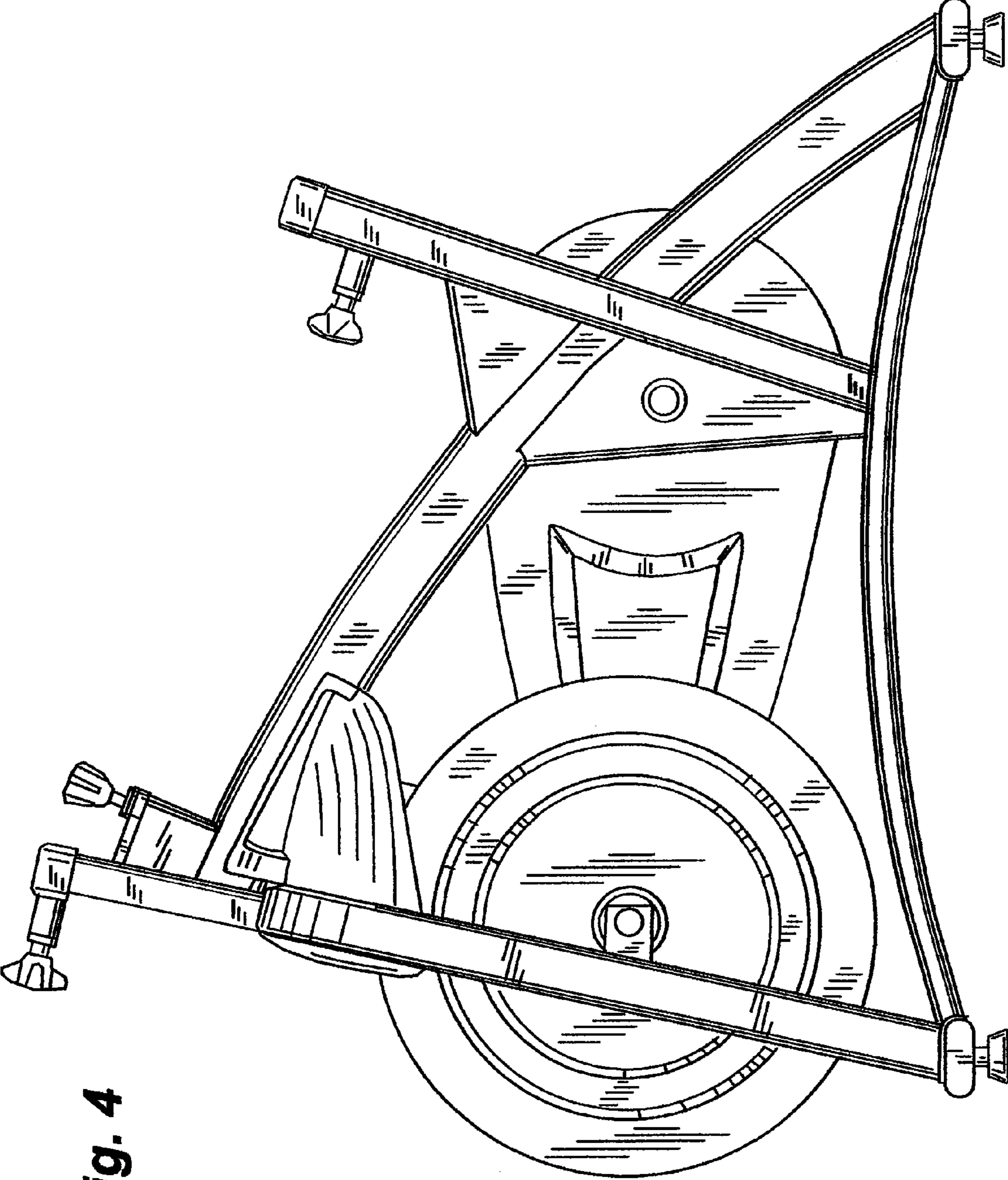


Fig. 4

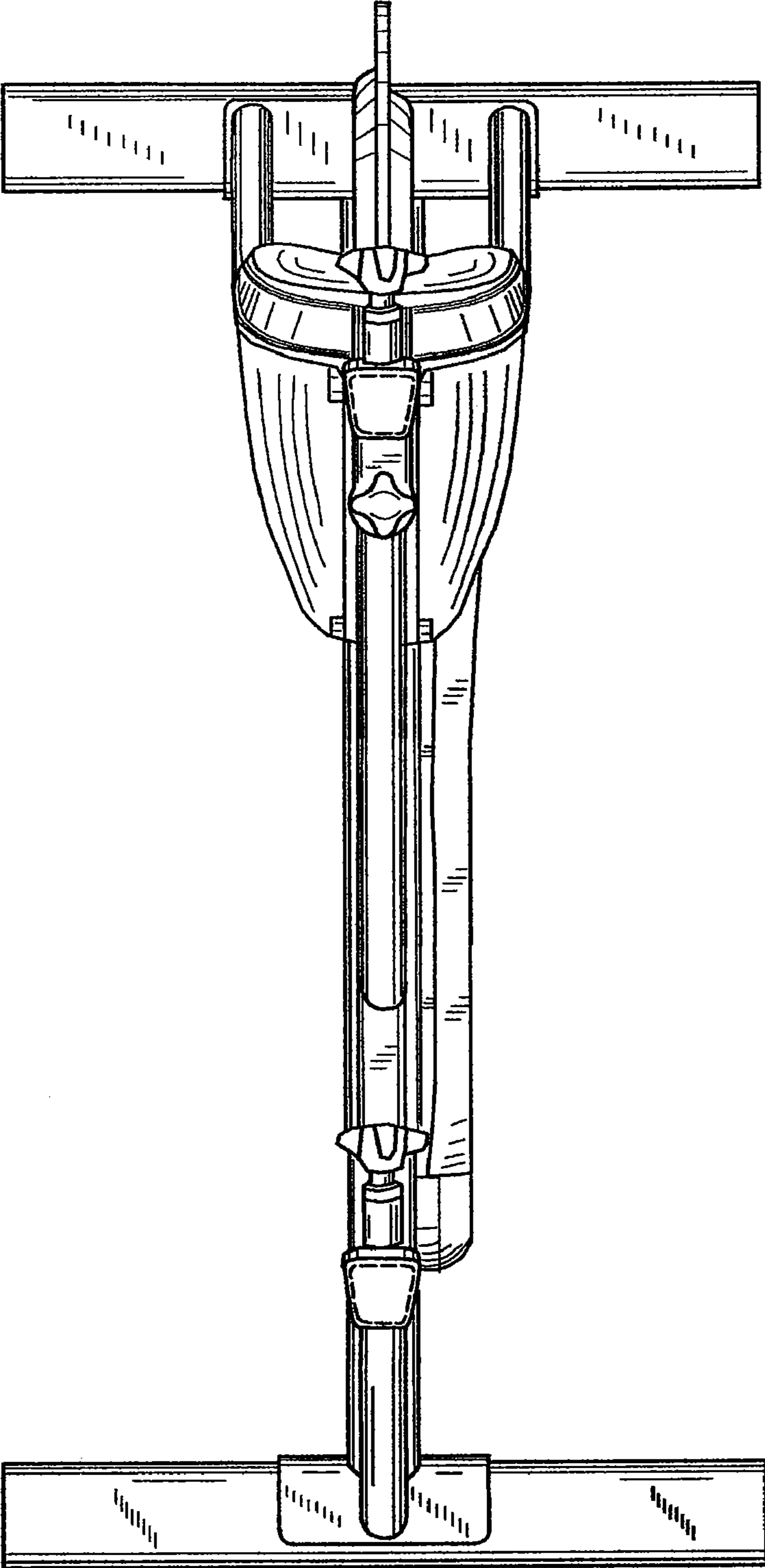


Fig. 6

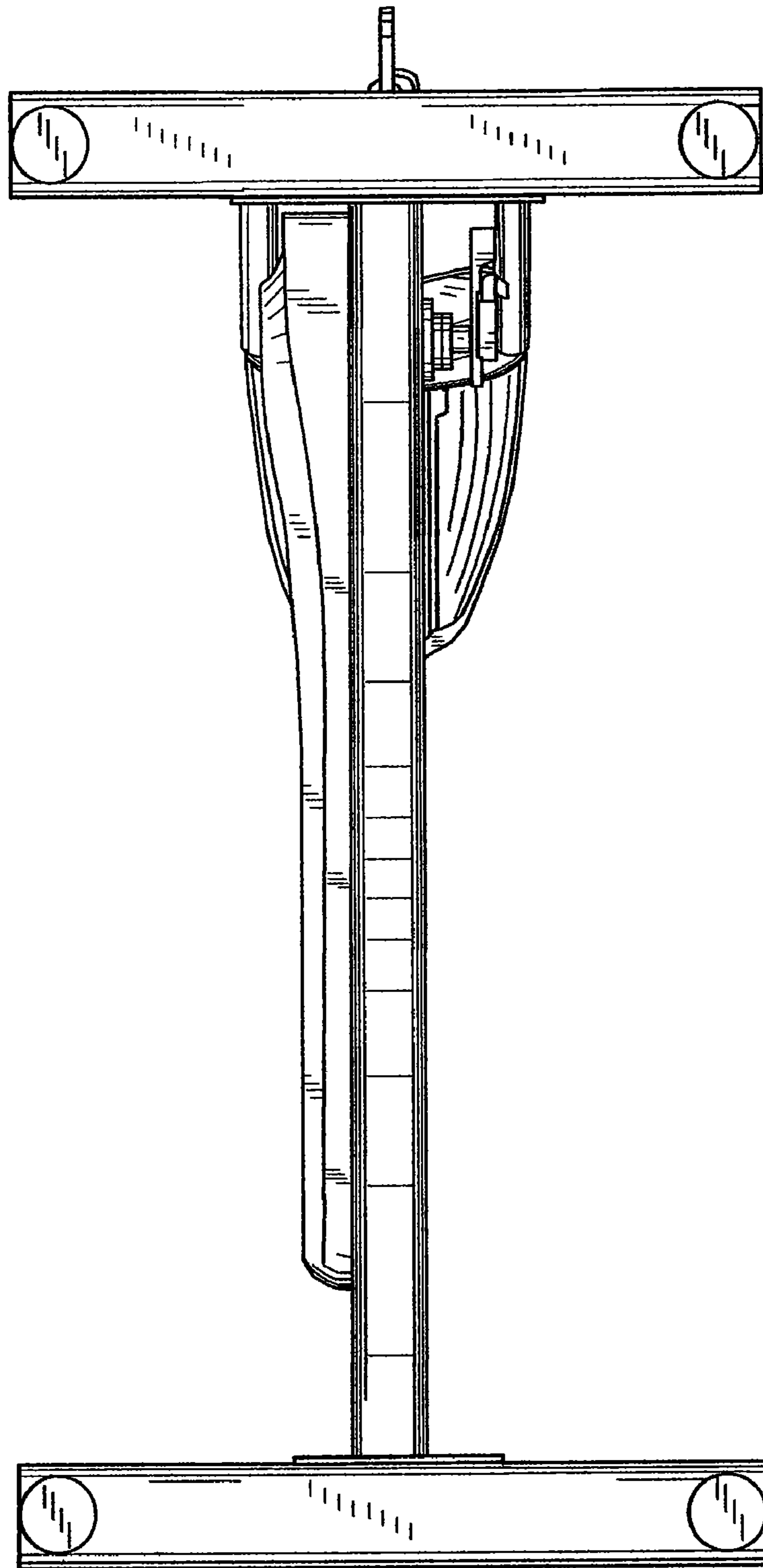


Fig. 7