



US00D624609S

(12) **United States Design Patent**
Stein et al.

(10) **Patent No.:** **US D624,609 S**

(45) **Date of Patent:** **** Sep. 28, 2010**

(54) **PAINTBALL GUN MARKER TRIGGER**

(76) Inventors: **Joseph Eugene Stein**, 12345 Mountain Ave., #L, Chino, CA (US) 91710; **Luis Sanchez**, 14654 Firestone Blvd., La Mirada, CA (US) 90638

(**) Term: **14 Years**

(21) Appl. No.: **29/351,866**

(22) Filed: **Dec. 11, 2009**

(51) **LOC (9) Cl.** **21-01**

(52) **U.S. Cl.** **D21/573; D22/108**

(58) **Field of Classification Search** D21/567, D21/570-575; D22/100, 101, 103, 108, D22/109; D23/226; D9/448; 124/27, 31, 124/41.1, 45, 49, 51.1, 55, 56, 69, 70-80; 42/23, 42.01, 51, 59, 61, 63, 65, 69.01, 69.02, 42/69.03, 70.01, 70.06, 70.07, 71.01, 84; 89/136, 139, 142, 144, 147, 150

See application file for complete search history.

(56) **References Cited**

U.S. PATENT DOCUMENTS

D110,526 S	7/1938	Mossberg	
D110,729 S	8/1938	Mossberg	
4,667,429 A *	5/1987	Perazzi	42/69.01
D362,709 S	9/1995	Huening	
D399,914 S	10/1998	Walker	
5,901,488 A *	5/1999	Oberlin	42/84
6,189,525 B1	2/2001	Kutrubes	
D443,014 S	5/2001	Vicale	
D452,289 S	12/2001	Kutrubes	
D456,478 S	4/2002	Kutrubes	
D462,105 S	8/2002	Myers	
D473,910 S	4/2003	Rice	

6,553,706 B1 *	4/2003	Gancarz et al.	42/69.02
6,655,066 B2 *	12/2003	Fluhr	42/70.06
D504,168 S	4/2005	McCormick	
7,127,845 B2 *	10/2006	Rice et al.	42/69.01
D534,969 S	1/2007	Orr	
D535,340 S	1/2007	Orr	
D540,431 S *	4/2007	Turnbull	D23/226
D562,435 S *	2/2008	Turnbull	D23/226
D585,954 S	2/2009	Bubits	
D593,617 S	6/2009	Dochterman	
D597,626 S	8/2009	Krieger	
D604,794 S *	11/2009	Bentley	D22/109
2006/0207149 A1 *	9/2006	Lazor	42/69.01

* cited by examiner

Primary Examiner—Cynthia M Chin

(74) *Attorney, Agent, or Firm*—QuickPatents, Inc.; Kevin Prince

(57) **CLAIM**

What is claimed is the ornamental design for a paintball gun marker trigger, as shown and described.

DESCRIPTION

FIG. 1 is a front perspective view of a paintball gun marker trigger, showing the new design;

FIG. 2 is a rear perspective view thereof;

FIG. 3 is a front elevational view thereof;

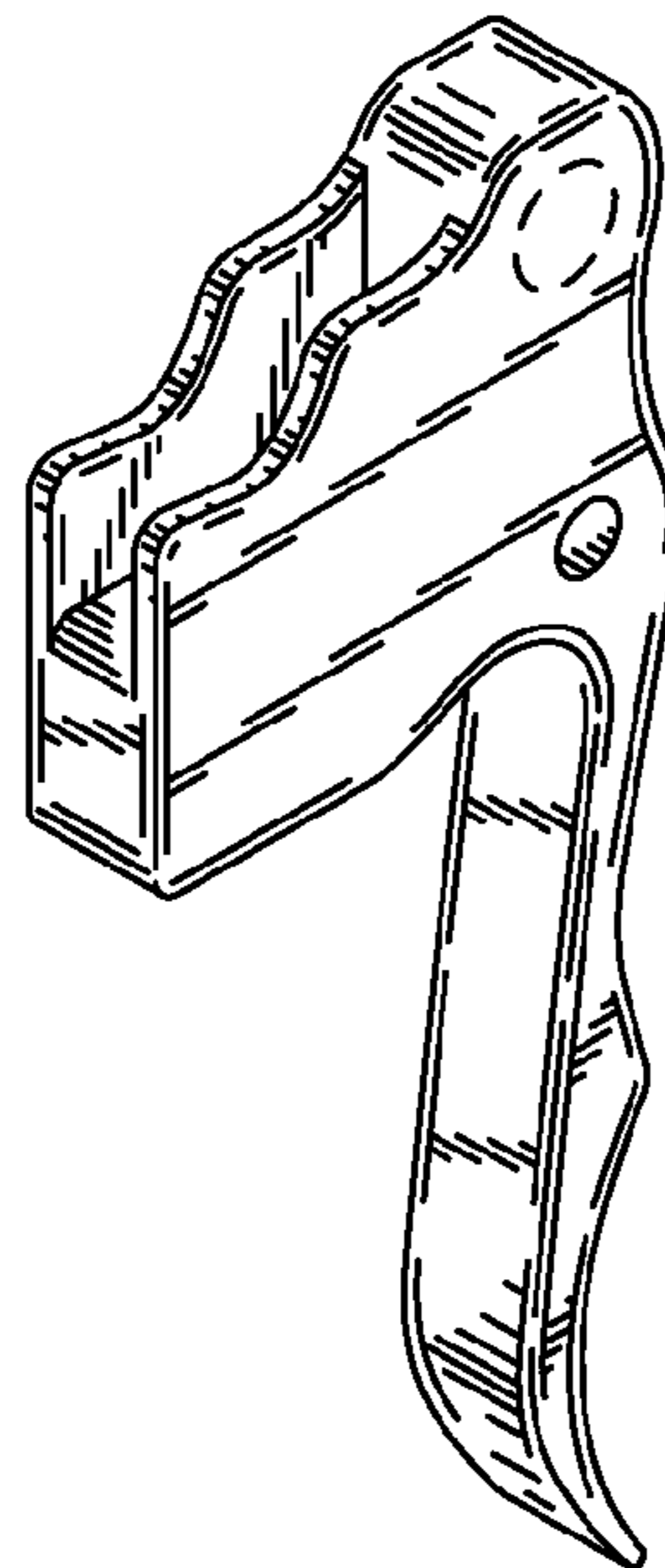
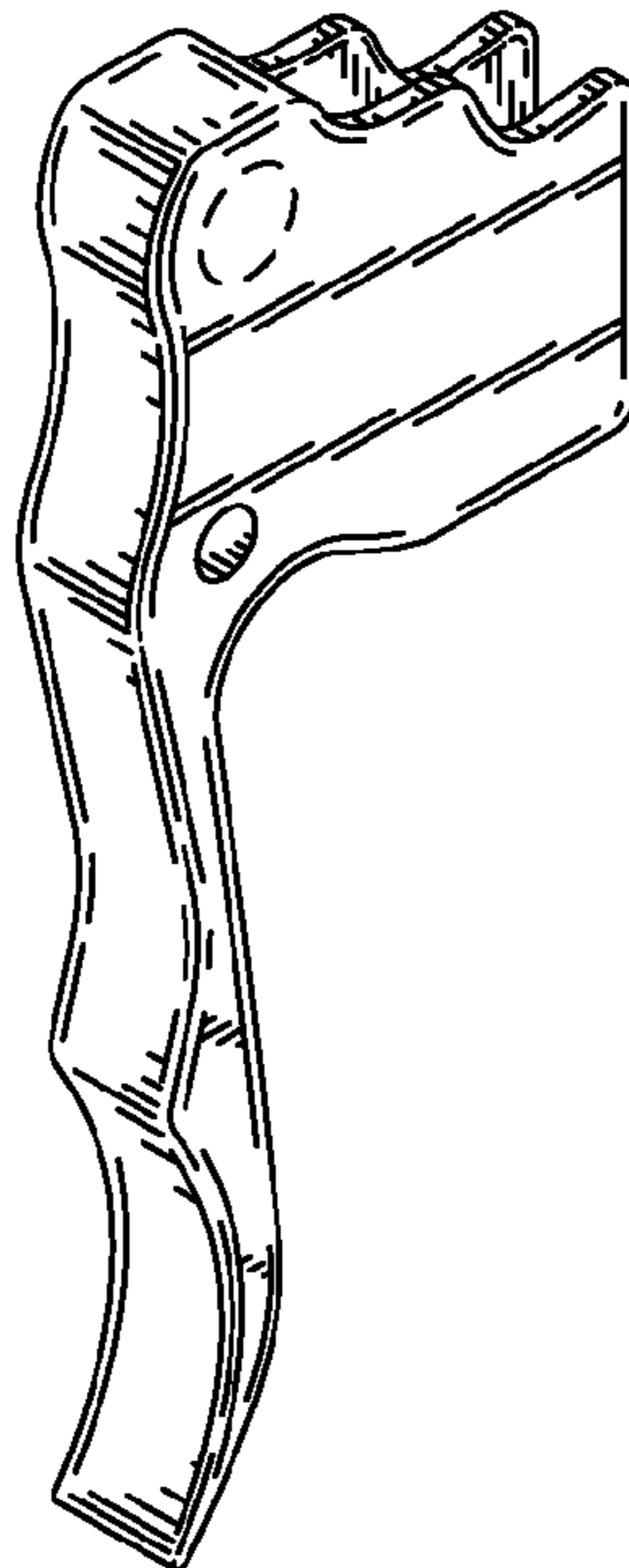
FIG. 4 is a rear elevational view thereof;

FIG. 5 is a right-side elevational view thereof, the left-side elevational view being a mirror image thereof;

FIG. 6 is a top plan view thereof; and,

FIG. 7 is a bottom plan view thereof.

1 Claim, 2 Drawing Sheets



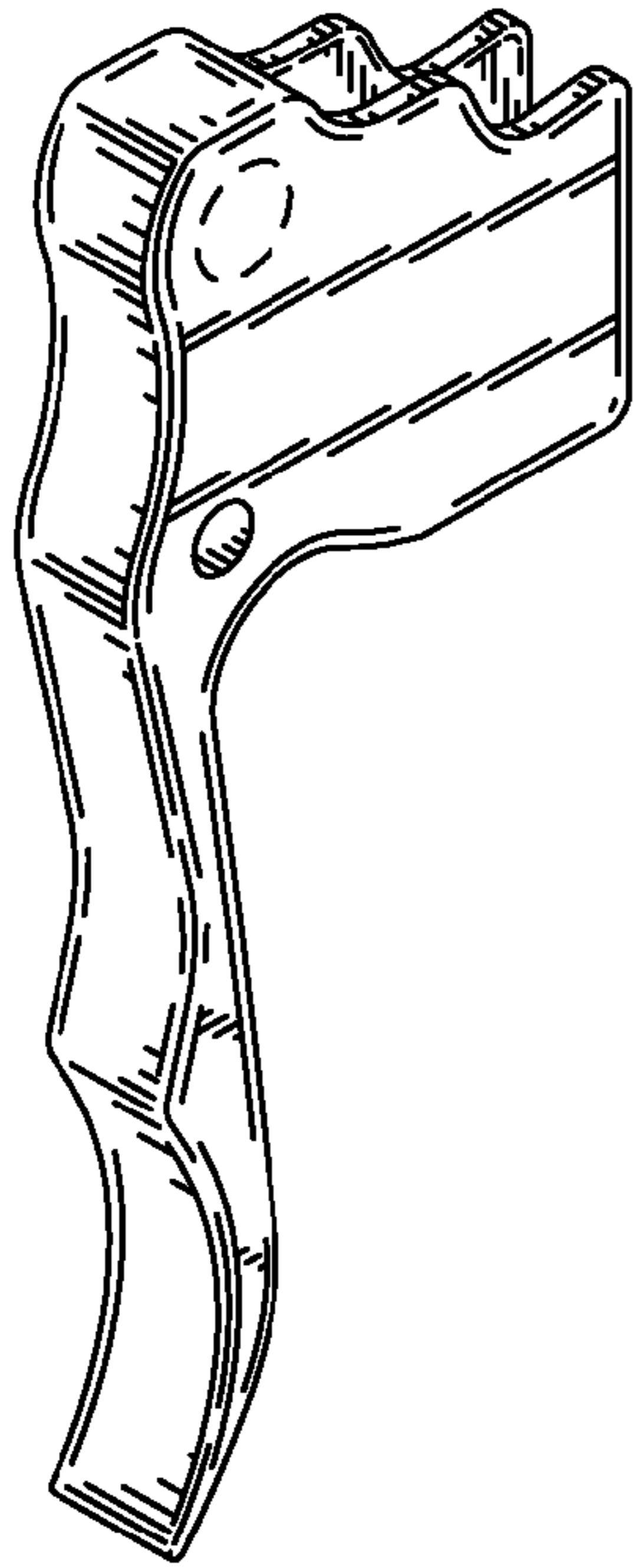


FIG. 1

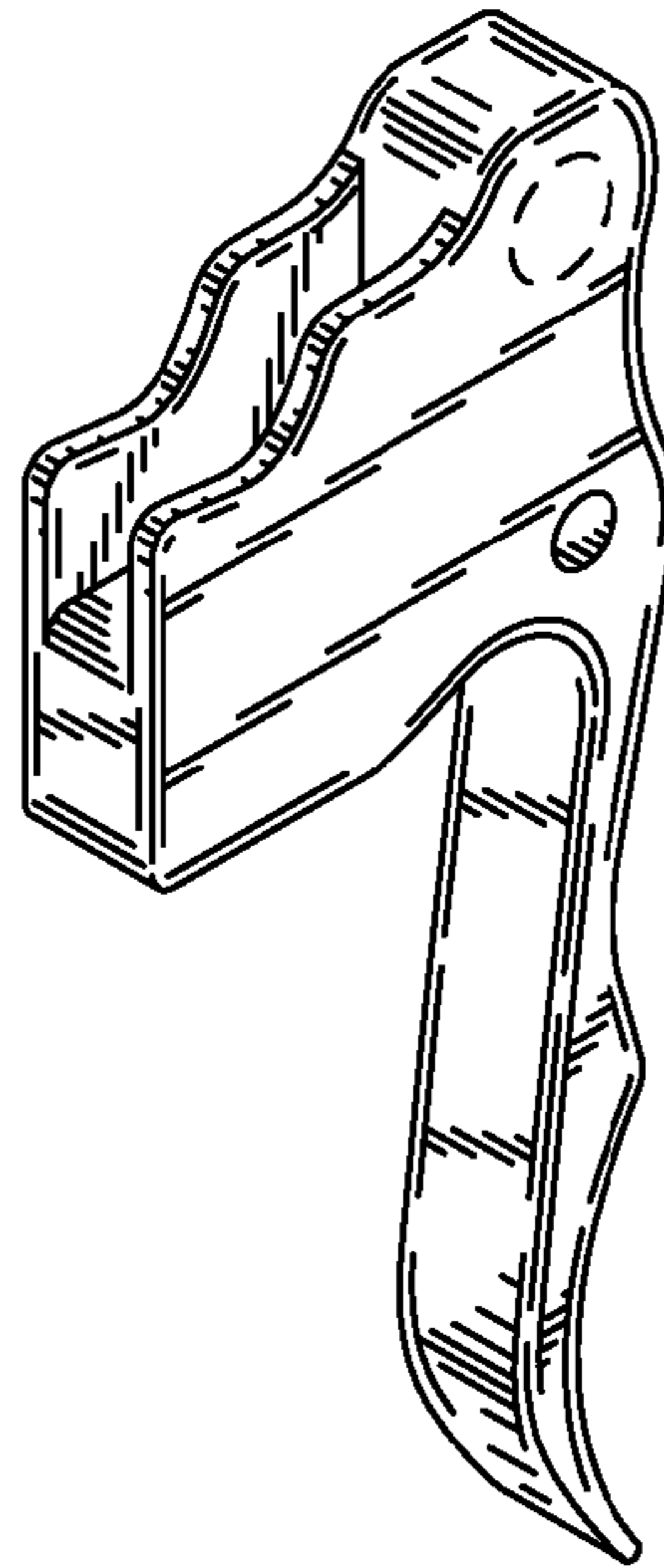


FIG. 2

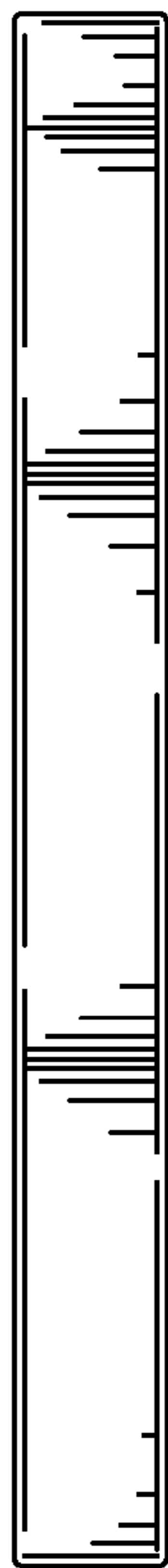


FIG. 3

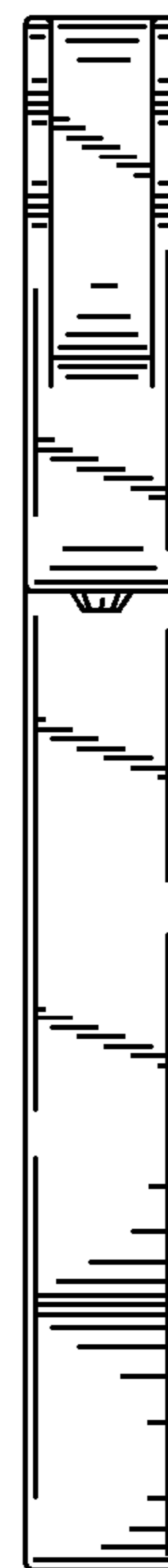


FIG. 4

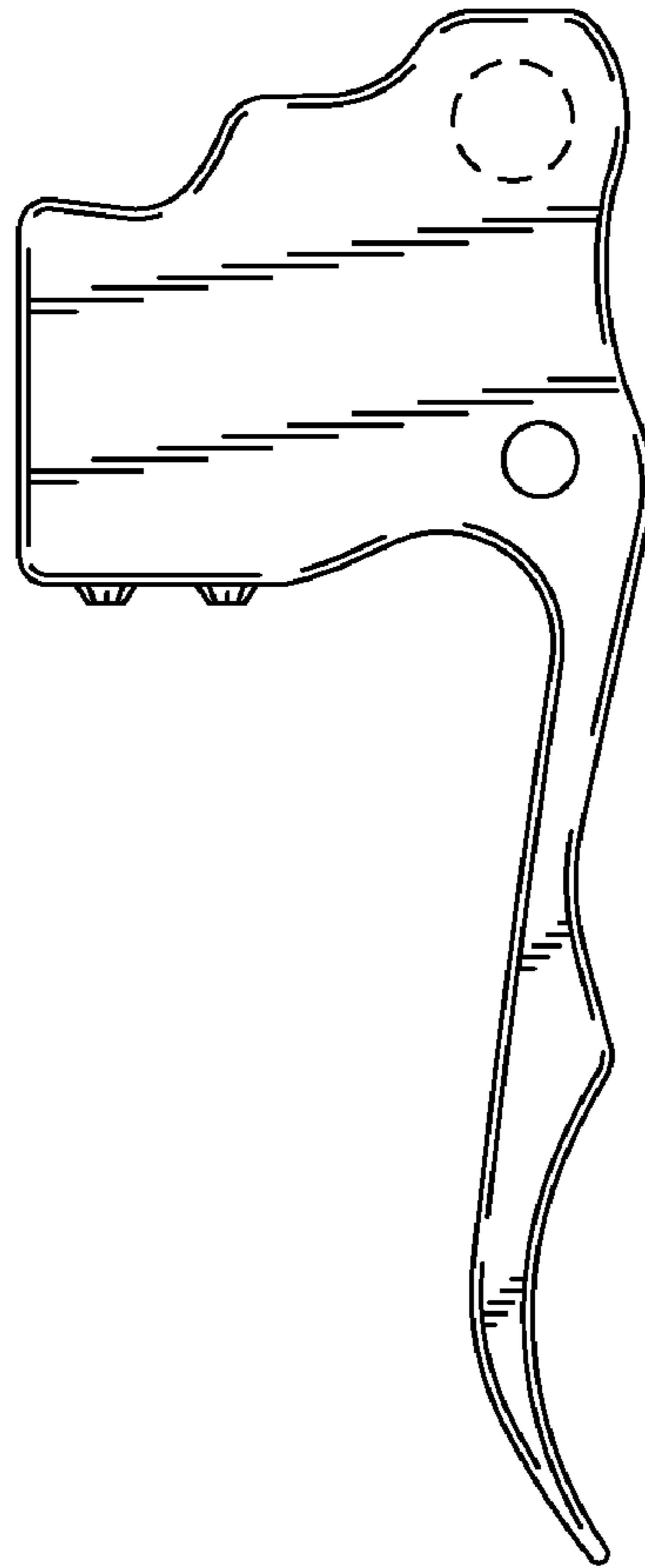


FIG. 5

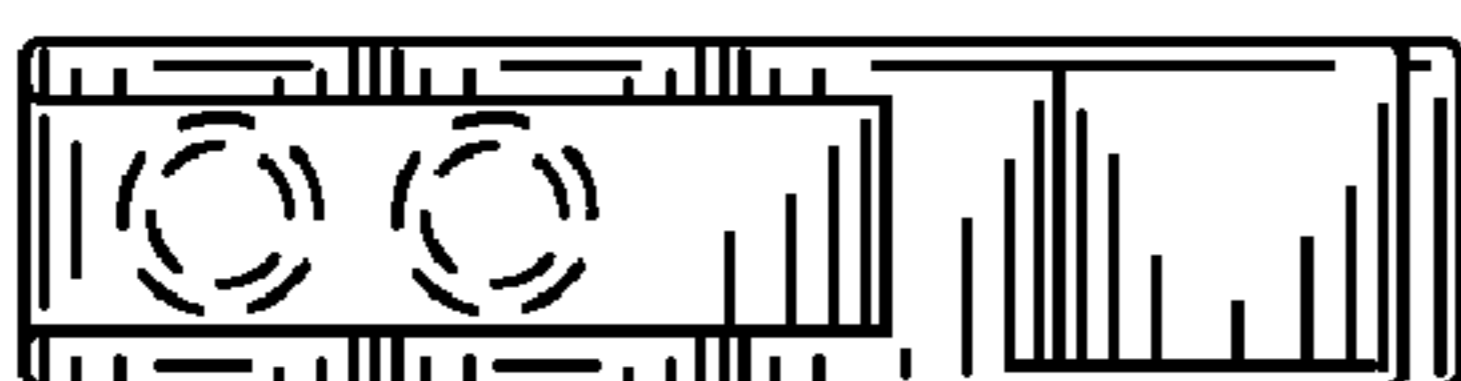


FIG. 6

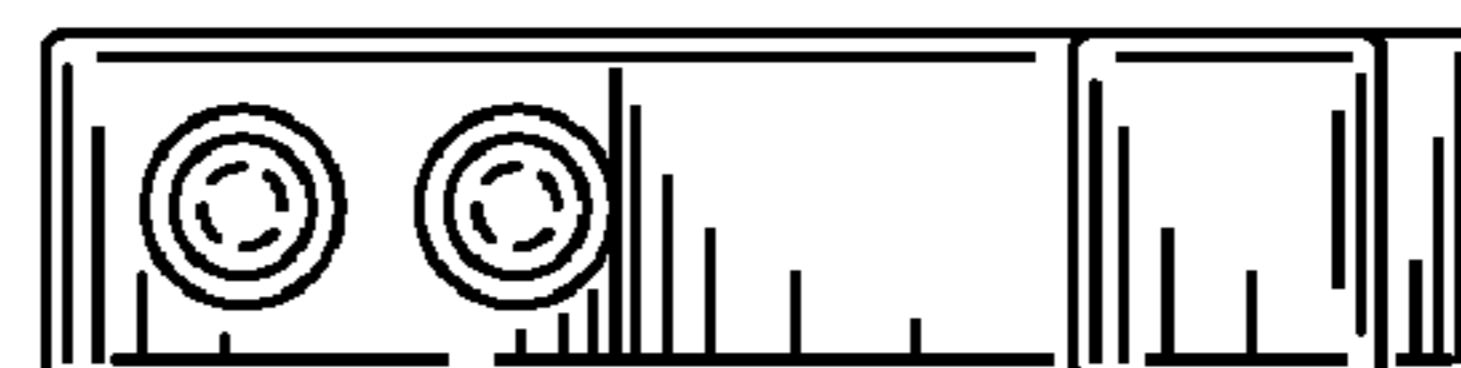


FIG. 7