



US00D624607S

(12) **United States Design Patent**  
**Spieberger**

(10) **Patent No.:** **US D624,607 S**

(45) **Date of Patent:** **\*\* Sep. 28, 2010**

(54) **TOY VEHICLE GRILL FRAME**

(75) Inventor: **Lee Spieberger**, Warwick, RI (US)

(73) Assignee: **Hasbro, Inc.**, Pawtucket, RI (US)

(\*\*) Term: **14 Years**

(21) Appl. No.: **29/337,329**

(22) Filed: **May 19, 2009**

(51) **LOC (9) Cl.** ..... **21-01**

(52) **U.S. Cl.** ..... **D21/561**

(58) **Field of Classification Search** ..... D21/431,  
D21/433, 434, 495, 533, 537, 548, 552–556,  
D21/561, 562; D12/93, 95, 96, 97, 98, 163,  
D12/164, 165, 166, 169, 171, 172; D15/31;  
180/68.1, 68.4, 68.6; 293/115; 196/193.1;  
446/424, 425–428; 296/193.1

See application file for complete search history.

(56) **References Cited**

**U.S. PATENT DOCUMENTS**

D117,211	S	*	10/1939	Cadwallader	.....	D12/165
4,031,659	A		6/1977	Keller et al.		
D275,776	S	*	10/1984	Horowitz et al.	.....	D21/561
D282,188	S	*	1/1986	Terui	.....	D21/552
D313,784	S	*	1/1991	Marlow et al.	.....	D12/163
5,378,191	A		1/1995	Ryaa		
5,441,289	A		8/1995	Spielberger		
D362,035	S	*	9/1995	Klawitter	.....	D21/554
D387,098	S	*	12/1997	Hamilton	.....	D21/556
D400,835	S		11/1998	Le Quement et al.		
D405,037	S	*	2/1999	Meryman et al.	.....	D12/163
D424,126	S		5/2000	Goes et al.		
D425,835	S	*	5/2000	Cook et al.	.....	D12/163
D440,261	S	*	4/2001	Wei	.....	D21/554
6,264,528	B1		7/2001	Doan et al.		
6,296,268	B1		10/2001	Ford et al.		
6,474,659	B1		11/2002	Horchler et al.		
6,695,327	B1		2/2004	Maggiore et al.		
D522,935	S	*	6/2006	Marchese et al.	.....	D12/163
D528,050	S	*	9/2006	McCuller et al.	.....	D12/163
D535,223	S	*	1/2007	Gaffka et al.	.....	D12/163

D551,599	S	*	9/2007	Simons et al.	.....	D12/163
D551,600	S	*	9/2007	Simons et al.	.....	D12/163
D552,692	S	*	10/2007	Stern et al.	.....	D21/554
D560,569	S	*	1/2008	Rester	.....	D12/163
D577,316	S	*	9/2008	Rosen et al.	.....	D12/163
7,464,984	B1	*	12/2008	McDaniel	.....	296/193.1
7,537,253	B2	*	5/2009	Rosen et al.	.....	293/115

\* cited by examiner

*Primary Examiner*—Cynthia M Chin

(74) *Attorney, Agent, or Firm*—Perry Hoffman

(57) **CLAIM**

The ornamental design for a toy vehicle grill frame, as shown and described.

**DESCRIPTION**

FIG. 1 is a reduced perspective view of the toy vehicle grill frame of the instant invention shown exploded from a toy truck for the clarity of illustration;

FIG. 2 is a similar reduced perspective view of FIG. 1 shown with the toy vehicle grill frame attached to a toy truck;

FIG. 3 is a reduced side elevational view of the toy vehicle grill frame of the instant invention exploded from a toy truck for the clarity of illustration;

FIG. 4 is a similar reduced side elevational view of FIG. 3 shown with the toy vehicle grill frame attached to a toy truck;

FIG. 5 is a perspective view of the toy vehicle grill frame of the instant invention;

FIG. 6 is a top plan view thereof;

FIG. 7 is a bottom plan view thereof;

FIG. 8 is a front elevational view thereof;

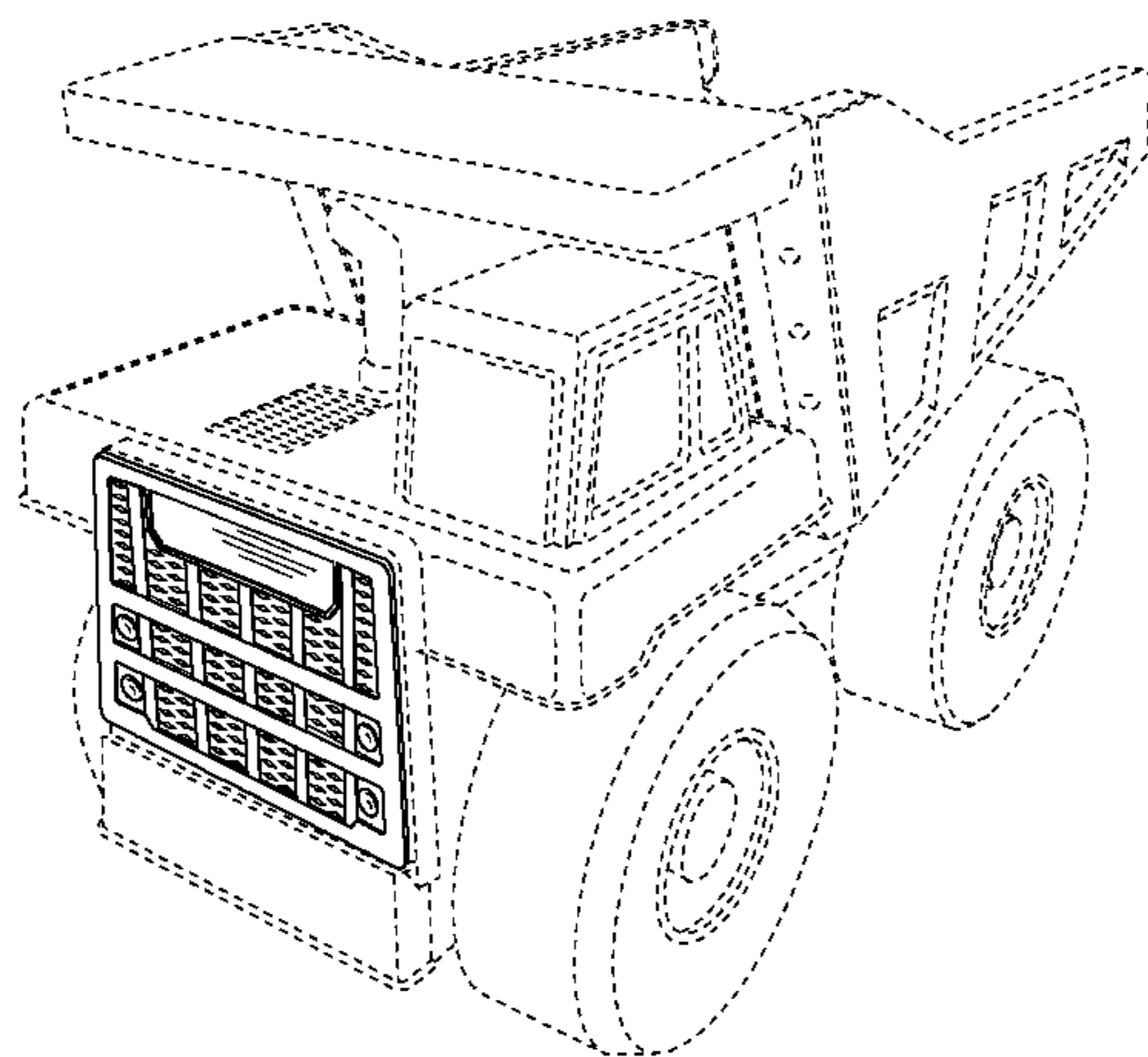
FIG. 9 is a rear elevational view thereof;

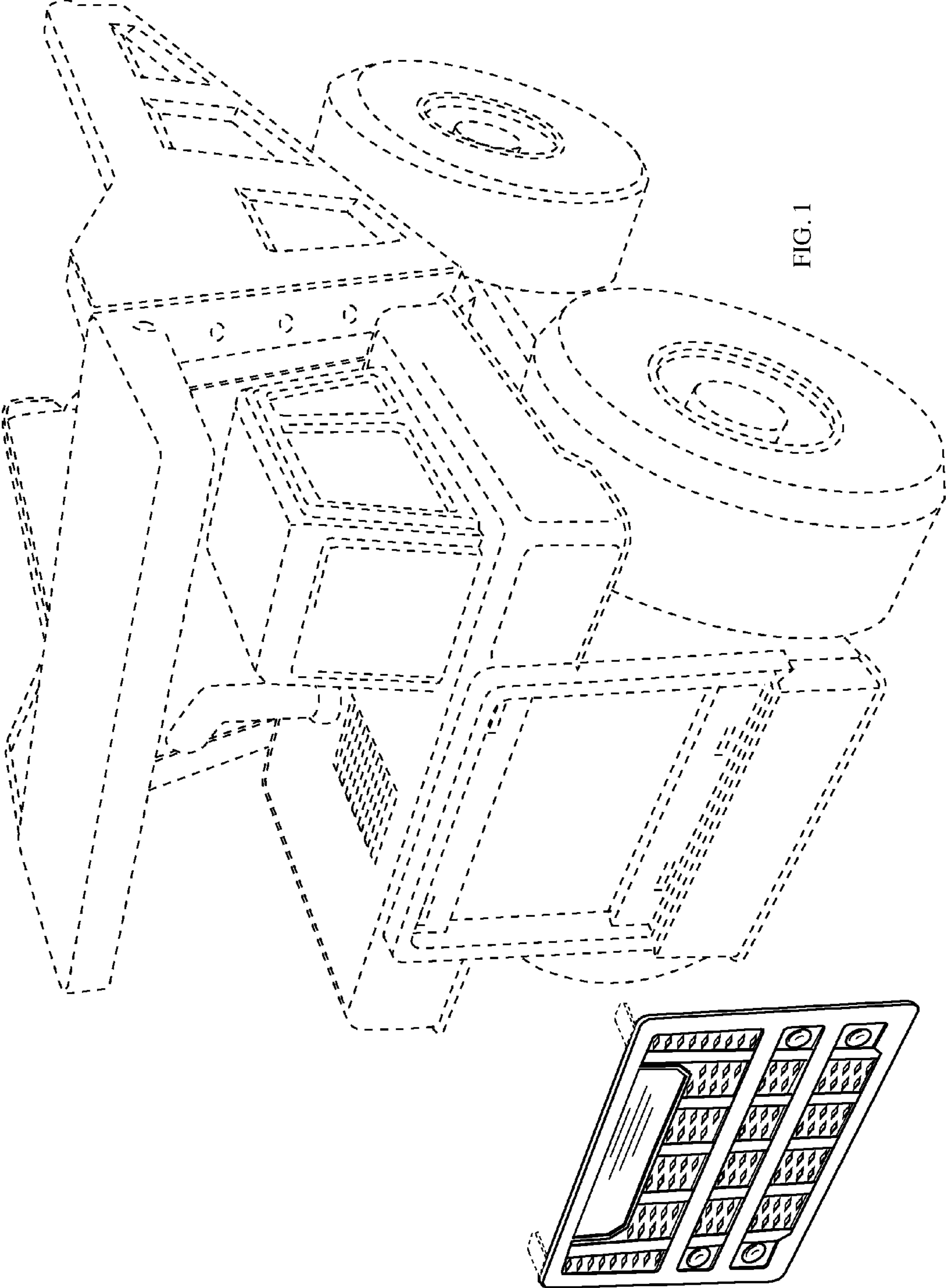
FIG. 10 is a left side elevational view thereof; and,

FIG. 11 is a right side elevational view thereof.

The portions shown in broken lines represent the environment in which the design resides and forms no part of the claimed design.

**1 Claim, 7 Drawing Sheets**





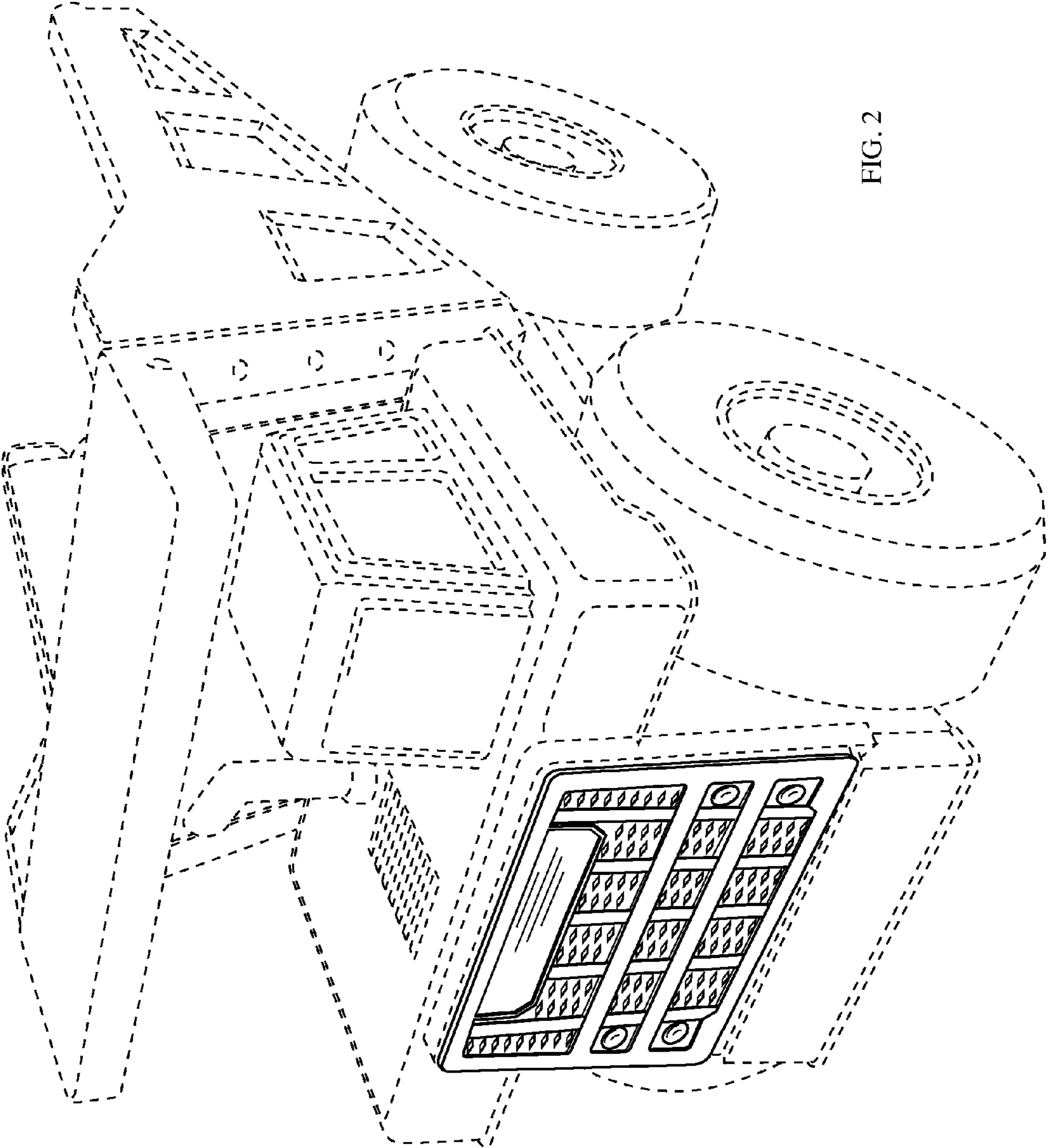
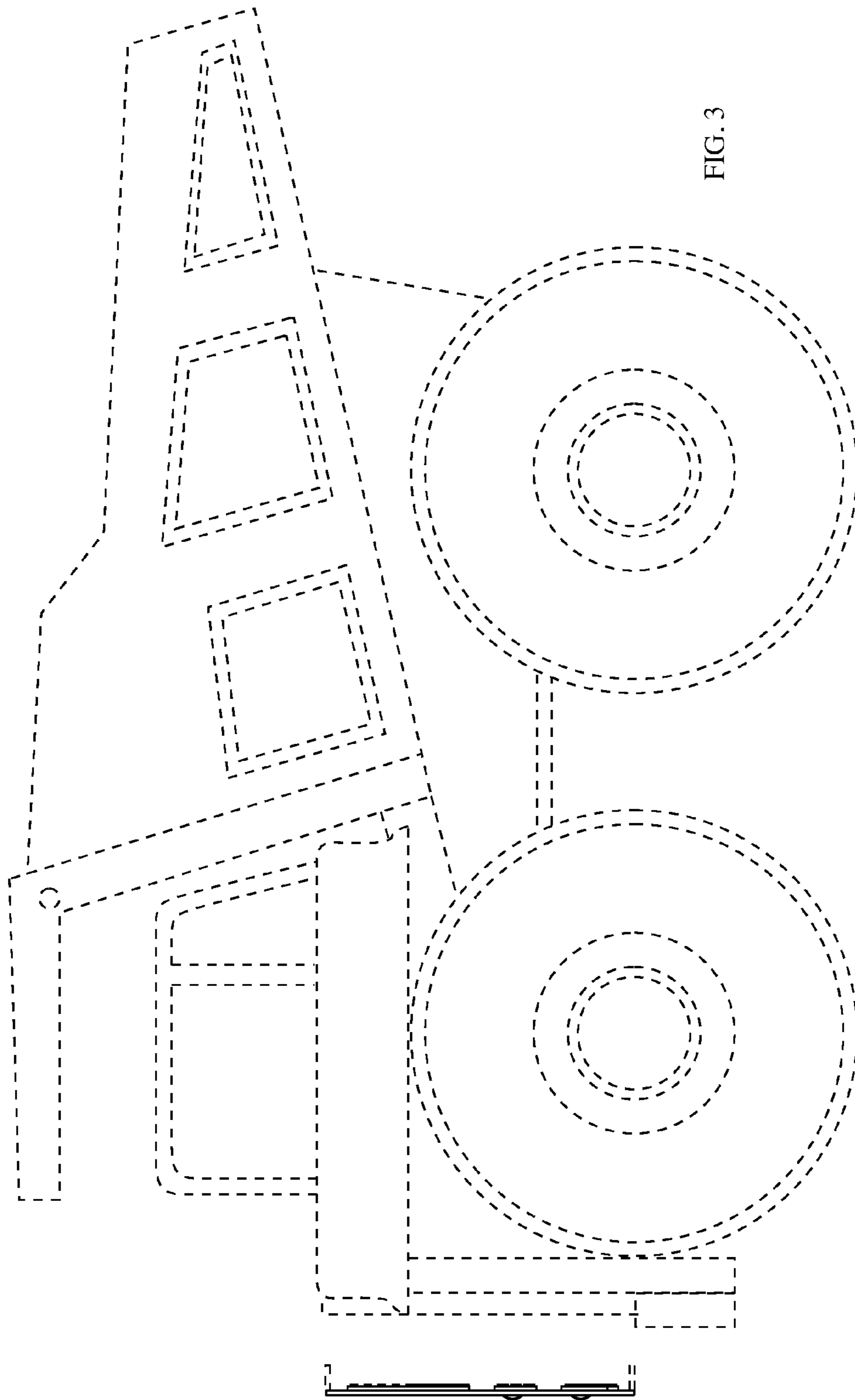


FIG. 2



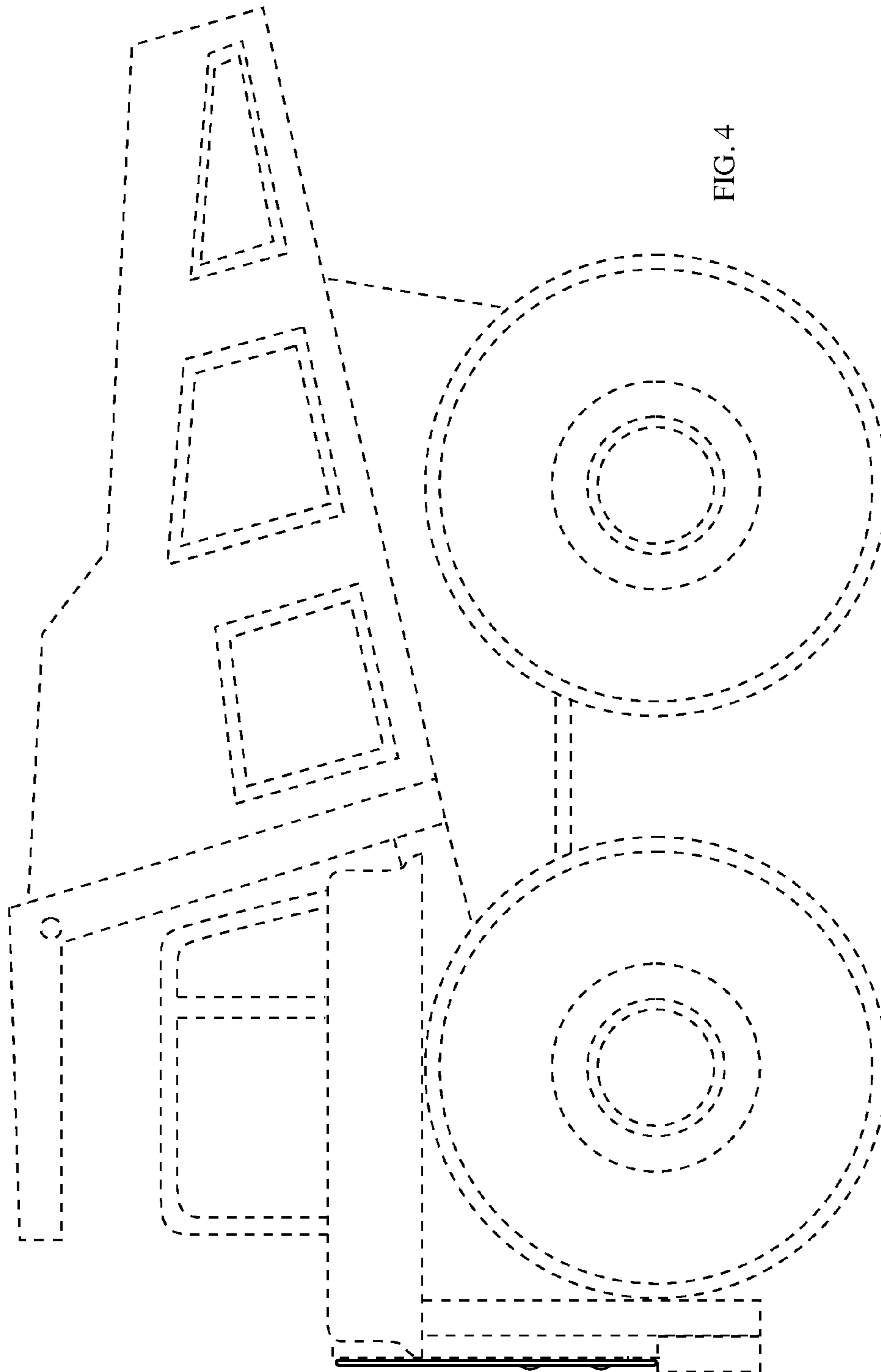


FIG. 4

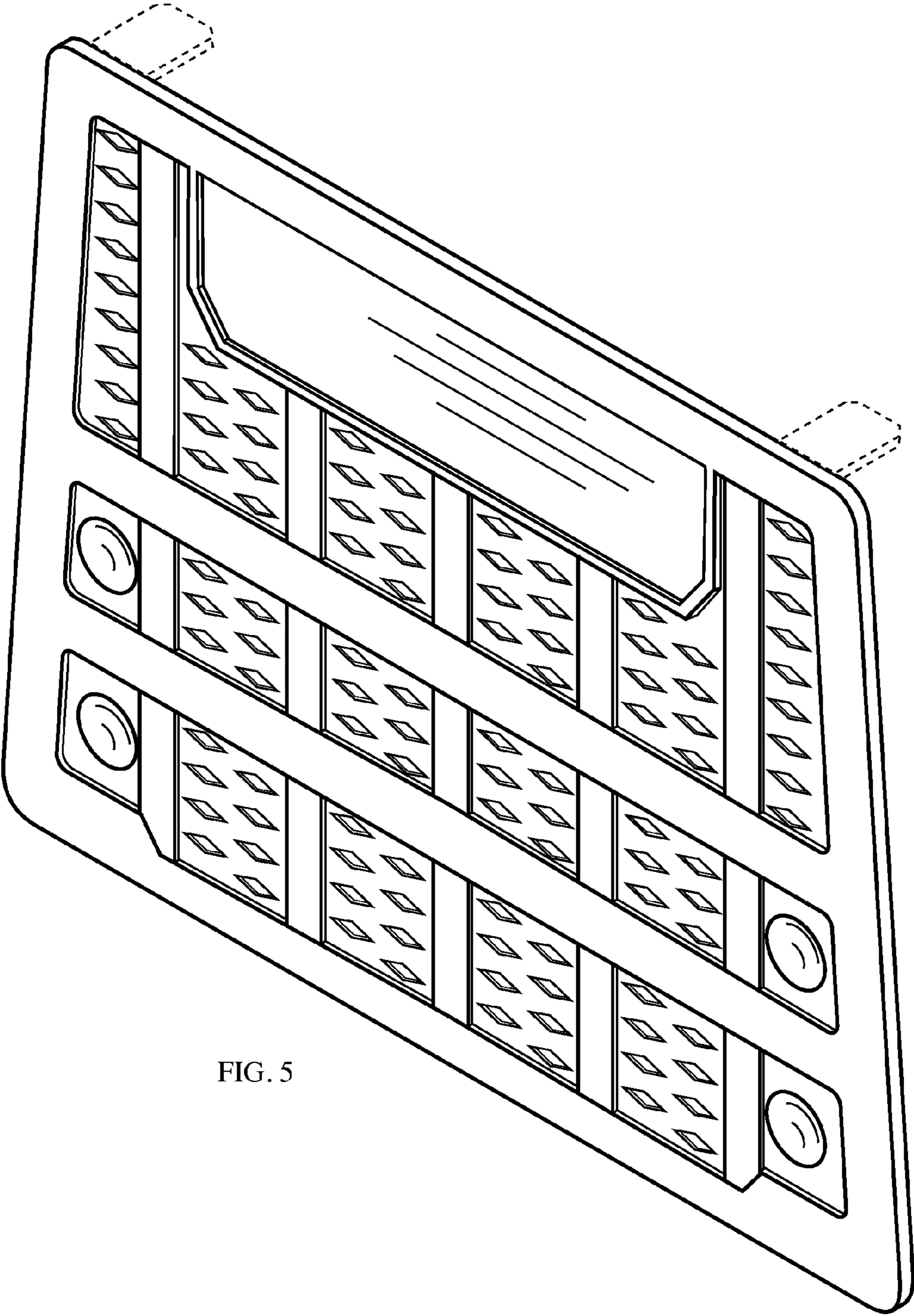


FIG. 5

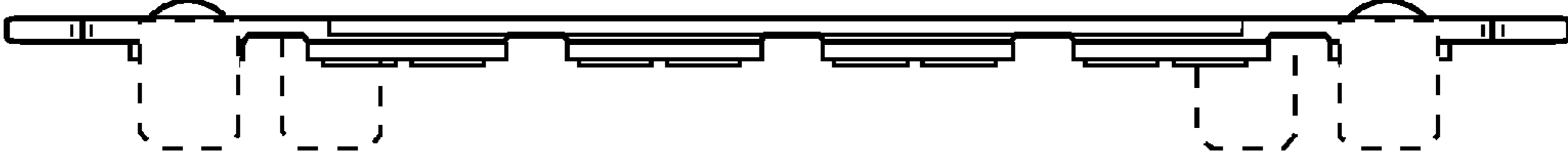


FIG. 6

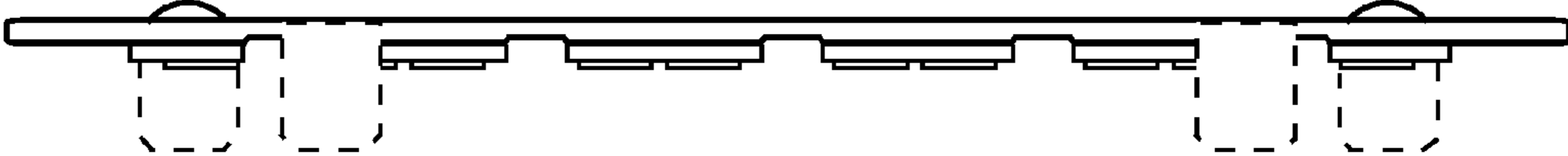


FIG. 7

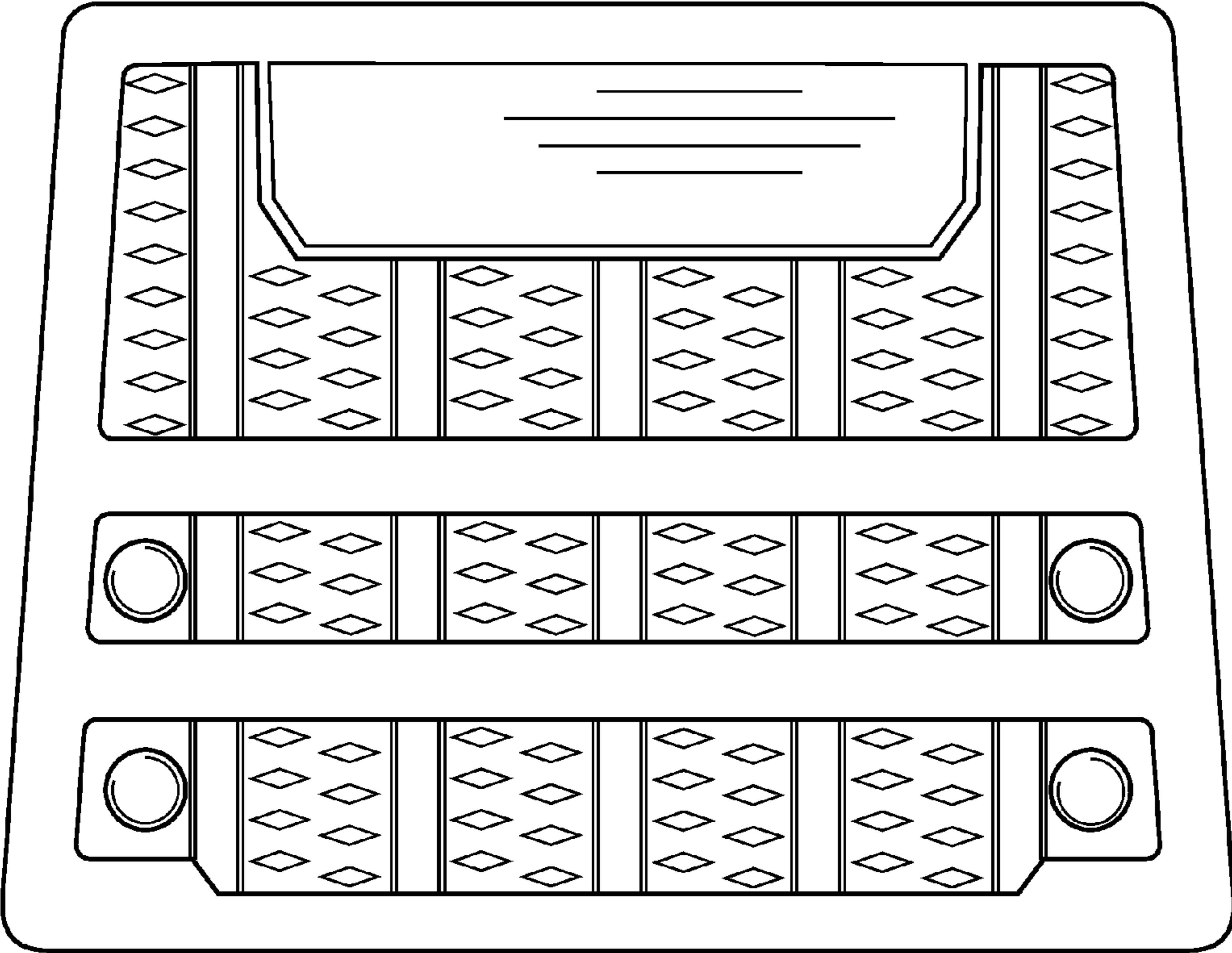


FIG. 8

FIG. 9

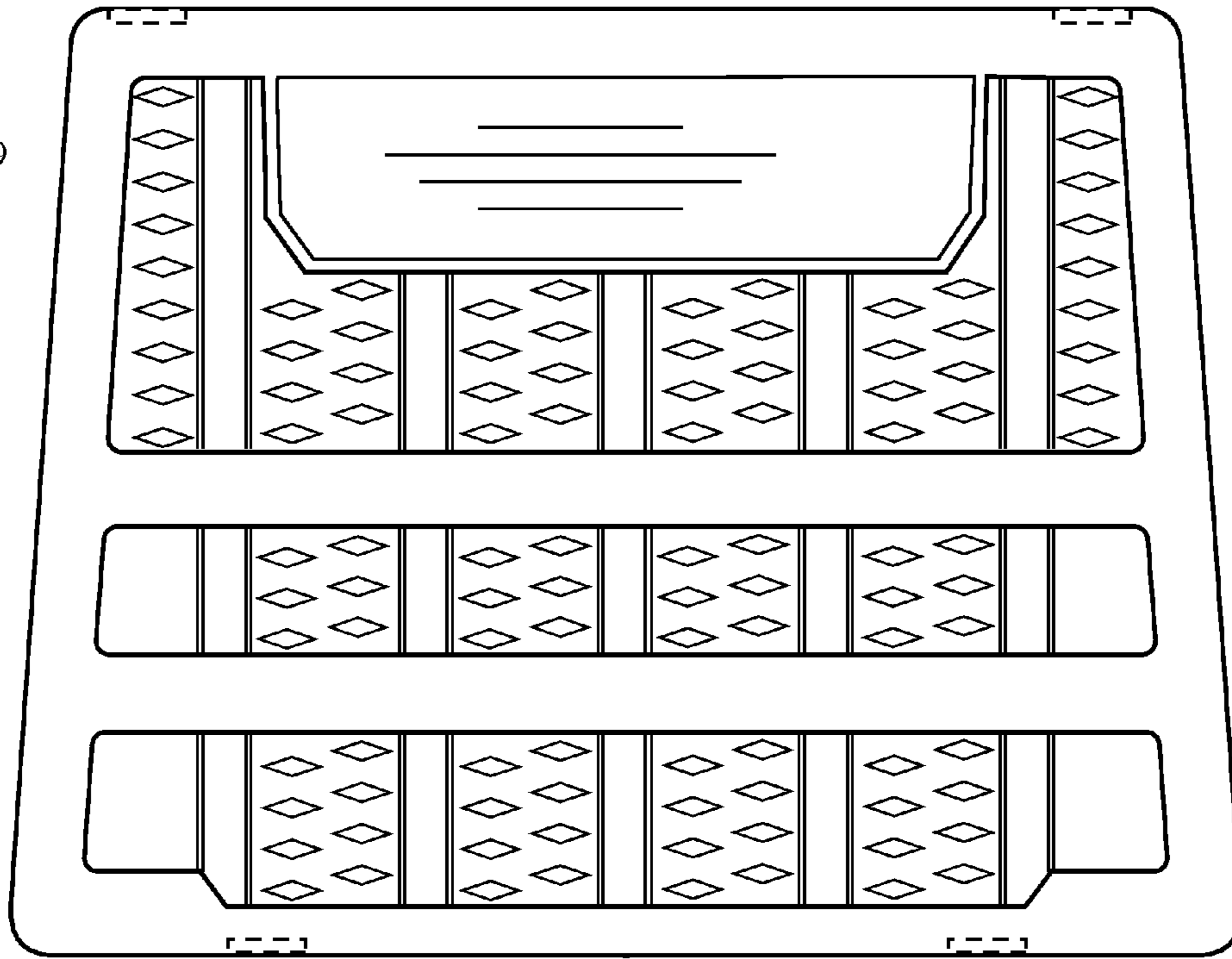


FIG. 10

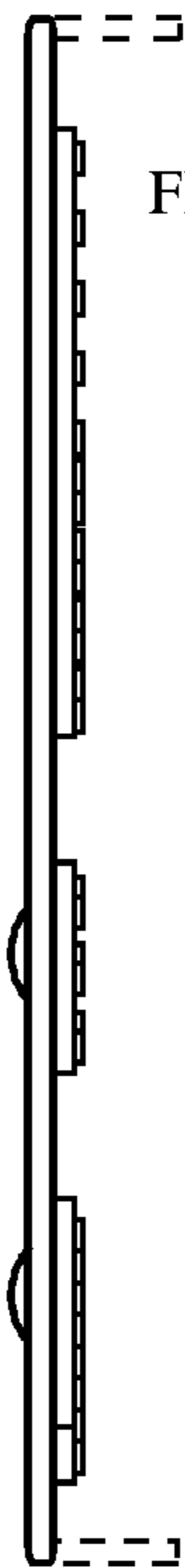


FIG. 11

