



US00D624606S

(12) **United States Design Patent**
Carmack

(10) **Patent No.:** **US D624,606 S**

(45) **Date of Patent:** **** Sep. 28, 2010**

(54) **CONSTRUCTION TOY TABLE**

(75) Inventor: **Lisa Jobe Carmack**, Holliston, MA
(US)

(73) Assignee: **Battat Incorporated**, Plattsburgh, NY
(US)

(**) Term: **14 Years**

(21) Appl. No.: **29/337,265**

(22) Filed: **May 18, 2009**

(51) **LOC (9) Cl.** **21-01**

(52) **U.S. Cl.** **D21/522; D21/485; D6/484**

(58) **Field of Classification Search** D21/484,
D21/485, 493, 494, 519, 522; D6/349, 397,
D6/480, 484, 485, 490; 446/71, 73, 75, 77,
446/85, 91, 102-128; 108/11, 12, 13, 14,
108/25, 26

See application file for complete search history.

(56) **References Cited**

U.S. PATENT DOCUMENTS

3,589,056	A	*	6/1971	Glass et al.	446/91
4,872,410	A	*	10/1989	Lilly	108/26
5,055,081	A	*	10/1991	Nayak	446/75
5,218,912	A	*	6/1993	Buske	108/26
D346,704	S	*	5/1994	Grosfillex	D6/349
D350,247	S	*	9/1994	Buske	D6/484
D355,315	S	*	2/1995	Walters	D6/484
D358,511	S	*	5/1995	Frahm	D6/484
D359,085	S	*	6/1995	Gierahn et al.	D21/493
5,421,270	A	*	6/1995	Kelly	108/25
D362,142	S	*	9/1995	Lee	D6/484
D368,189	S	*	3/1996	Bro et al.	D6/480
5,509,844	A	*	4/1996	Poirier et al.	446/71
5,615,619	A	*	4/1997	King	108/25
D382,144	S	*	8/1997	Lo	D6/480
D385,926	S	*	11/1997	Nielsen	D21/485
D387,583	S	*	12/1997	Shear	D6/484
5,782,185	A	*	7/1998	Frahm et al.	446/75
5,876,262	A	*	3/1999	Kelly et al.	446/118
D461,340	S	*	8/2002	Walters, III	D6/484

D464,089	S	*	10/2002	Studebaker	D21/522
D506,889	S	*	7/2005	McDaniel et al.	D6/484
D582,168	S	*	12/2008	Sandel	D6/349

* cited by examiner

Primary Examiner—Cynthia M Chin

(74) *Attorney, Agent, or Firm*—Pryor Cashman LLP; Andrew S. Langsam

(57) **CLAIM**

The ornamental design for a construction toy table, as shown and described.

DESCRIPTION

FIG. 1 is a perspective view of the present invention, a construction toy table for use by a child showing a flat upper surface;

FIG. 2 is a right side view of the present invention shown with the top of the construction toy table being flipped over and showing slight upwardly extending nubs for use in securing the construction pieces, the left side being a mirror image thereof;

FIG. 3 is a rear view of the present invention as shown in FIG. 1;

FIG. 4 is a front view the present invention as shown in FIG. 1;

FIG. 5 is a rear view of the present invention shown with the top of the construction toy table being flipped over as in FIG. 2;

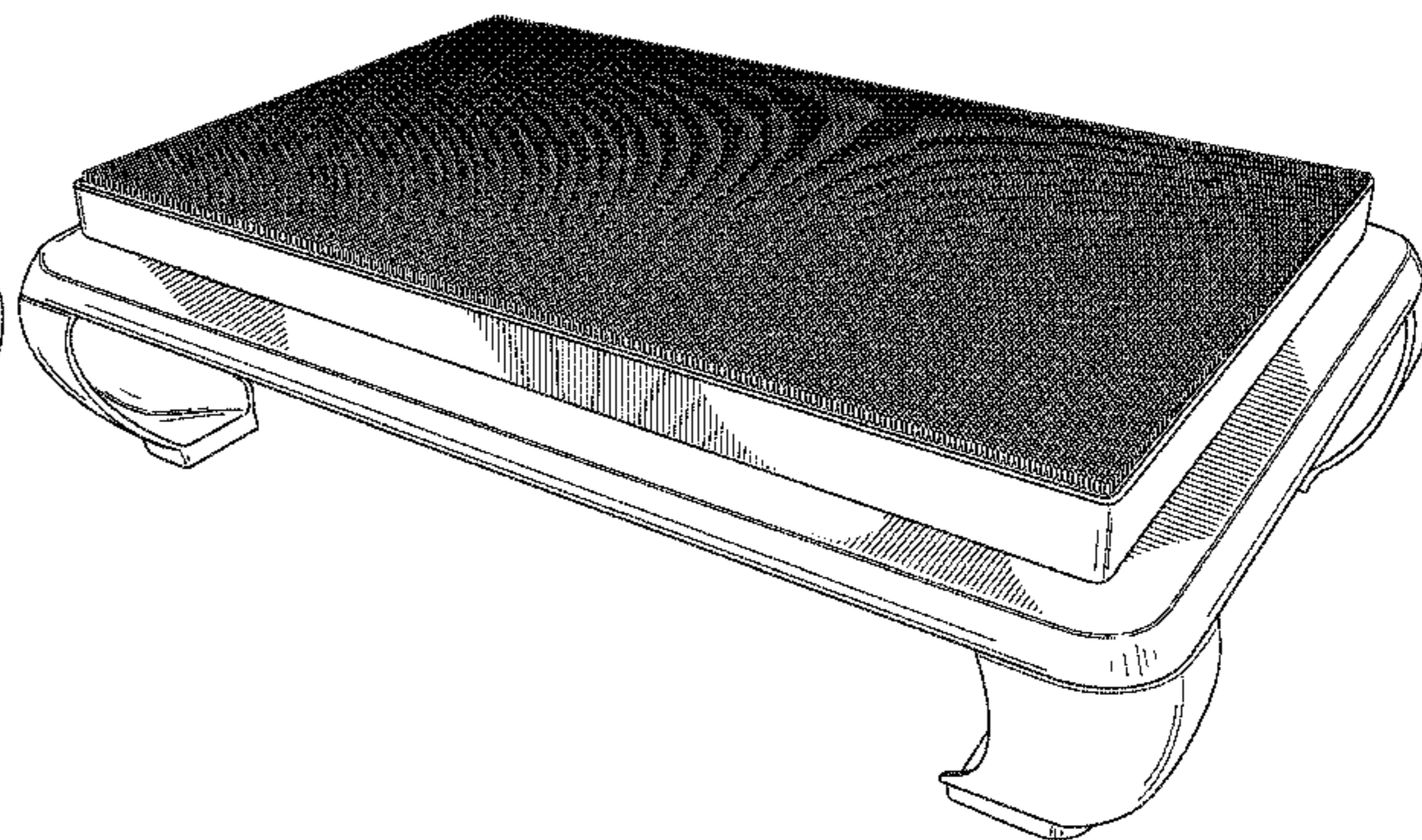
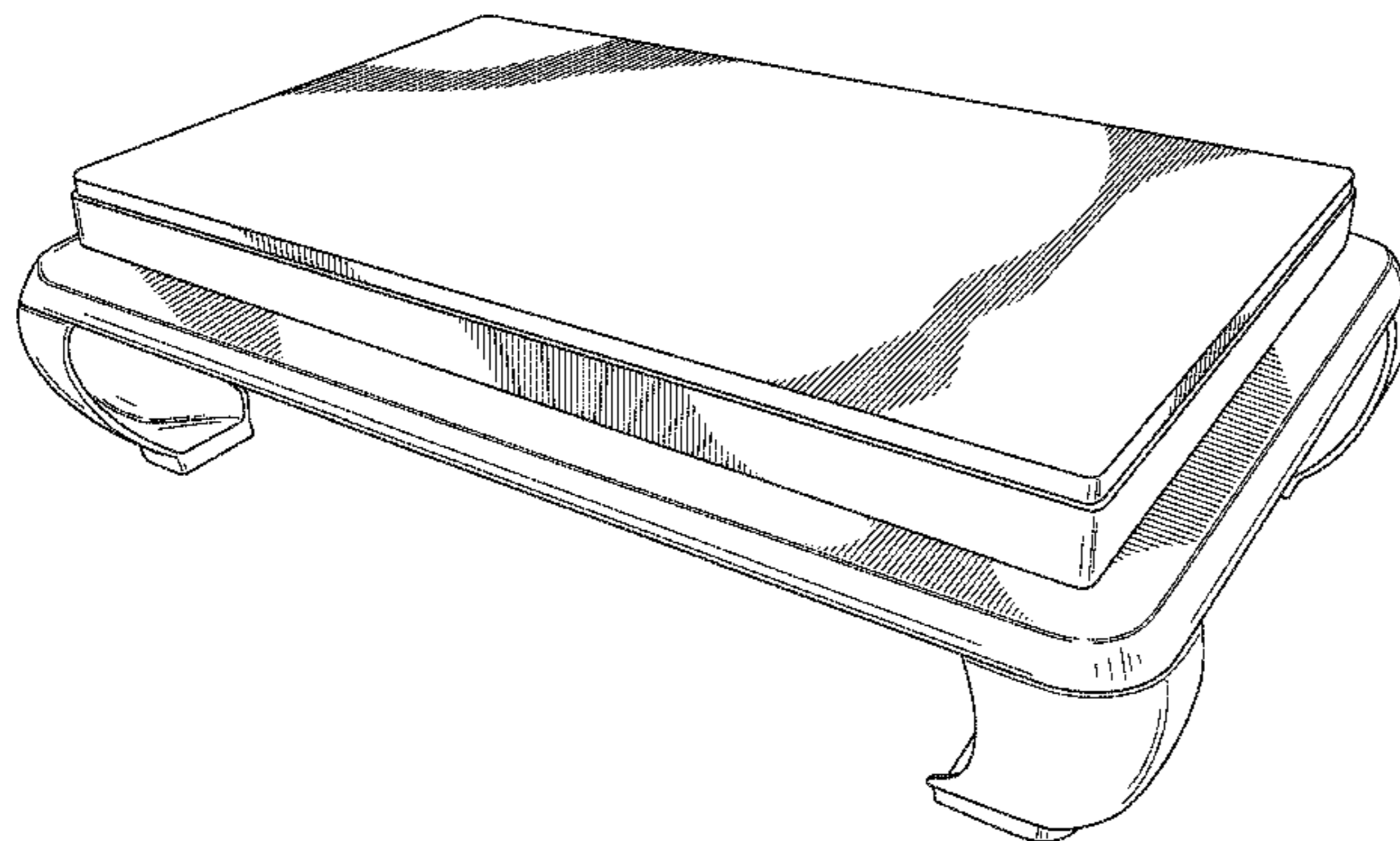
FIG. 6 is a perspective view of the invention shown with the top of the construction toy table being flipped over as in FIG. 2;

FIG. 7 is a top plan view of the present invention shown with the top of the construction toy table being flipped over as in FIG. 2;

FIG. 8 is a top plan view of the present invention as shown in FIG. 1; and,

FIG. 9 is a side view of the present invention as shown in FIG. 1, the other side view being a mirror image thereof.

1 Claim, 9 Drawing Sheets



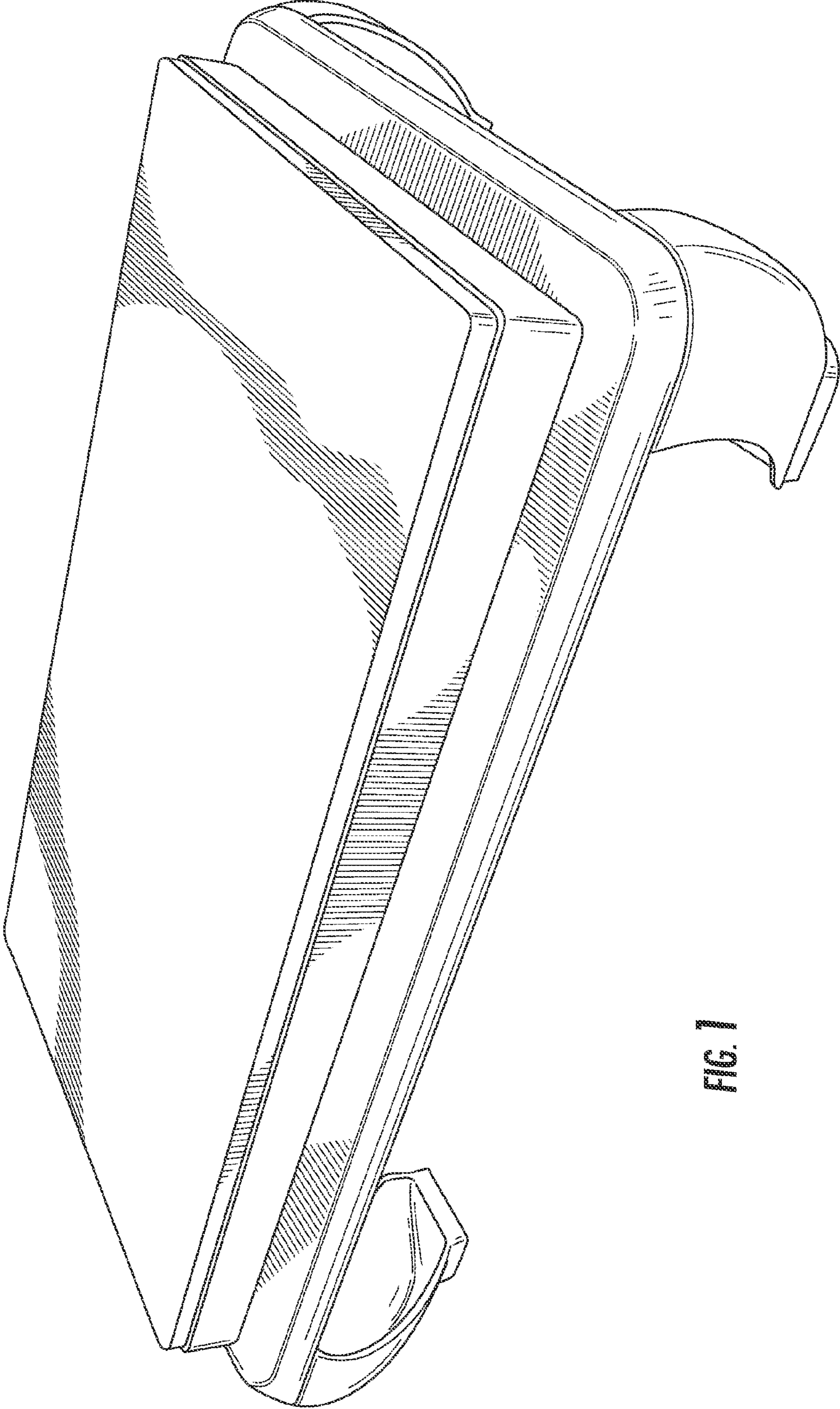


FIG. 1

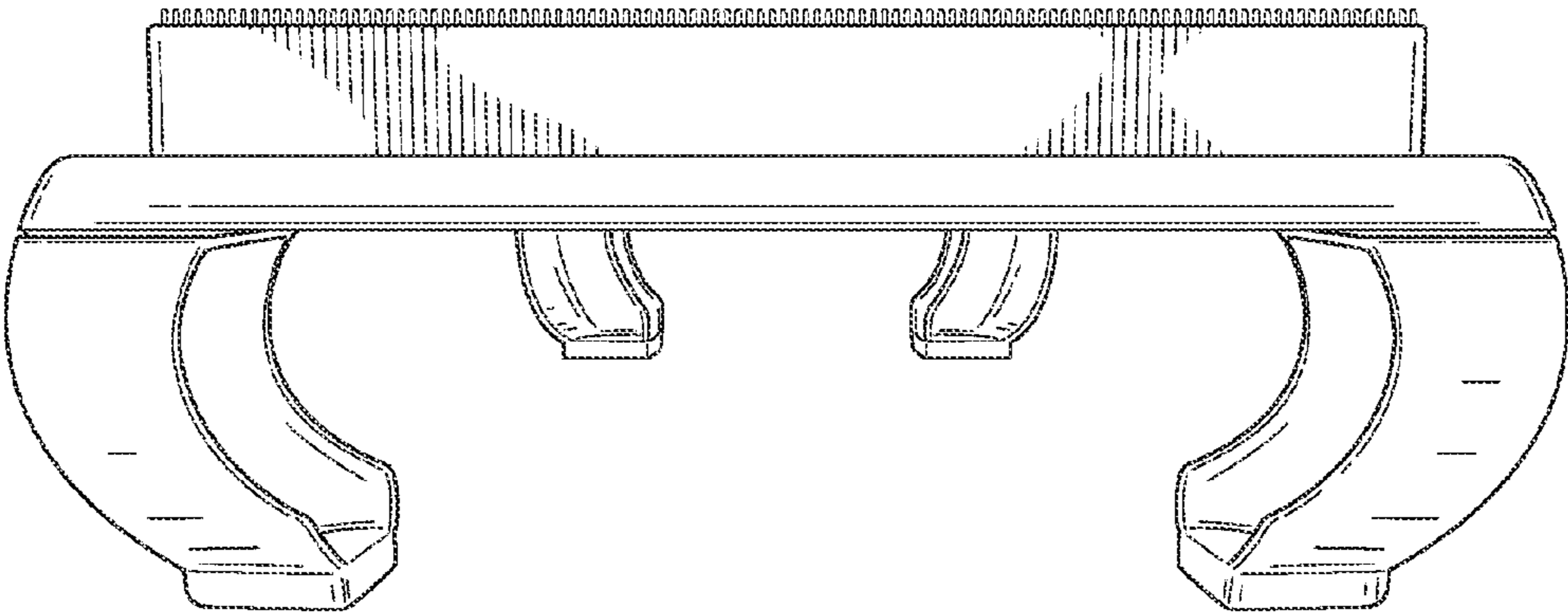


FIG. 2

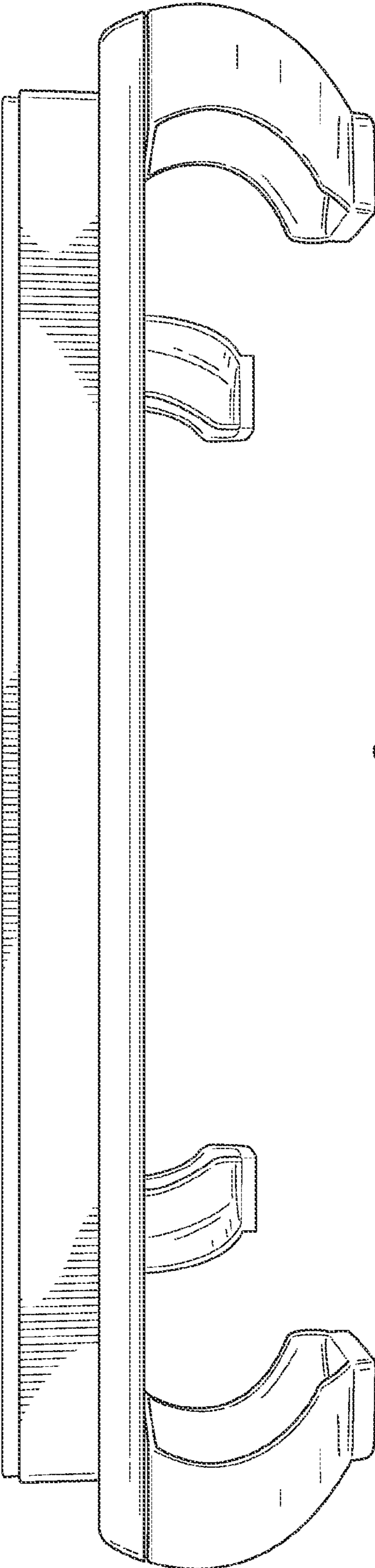


FIG. 3

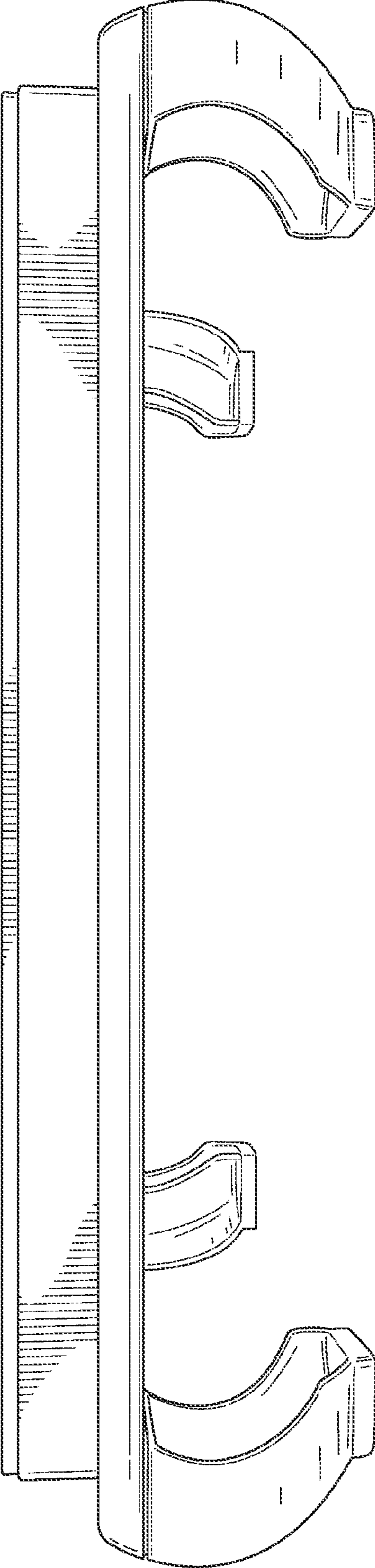


FIG. 4

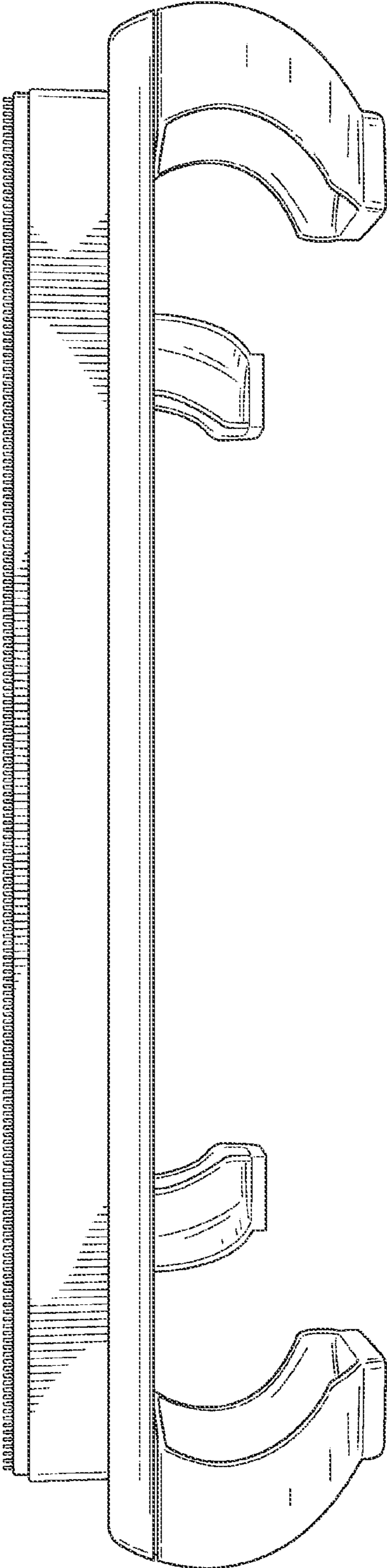


FIG. 5

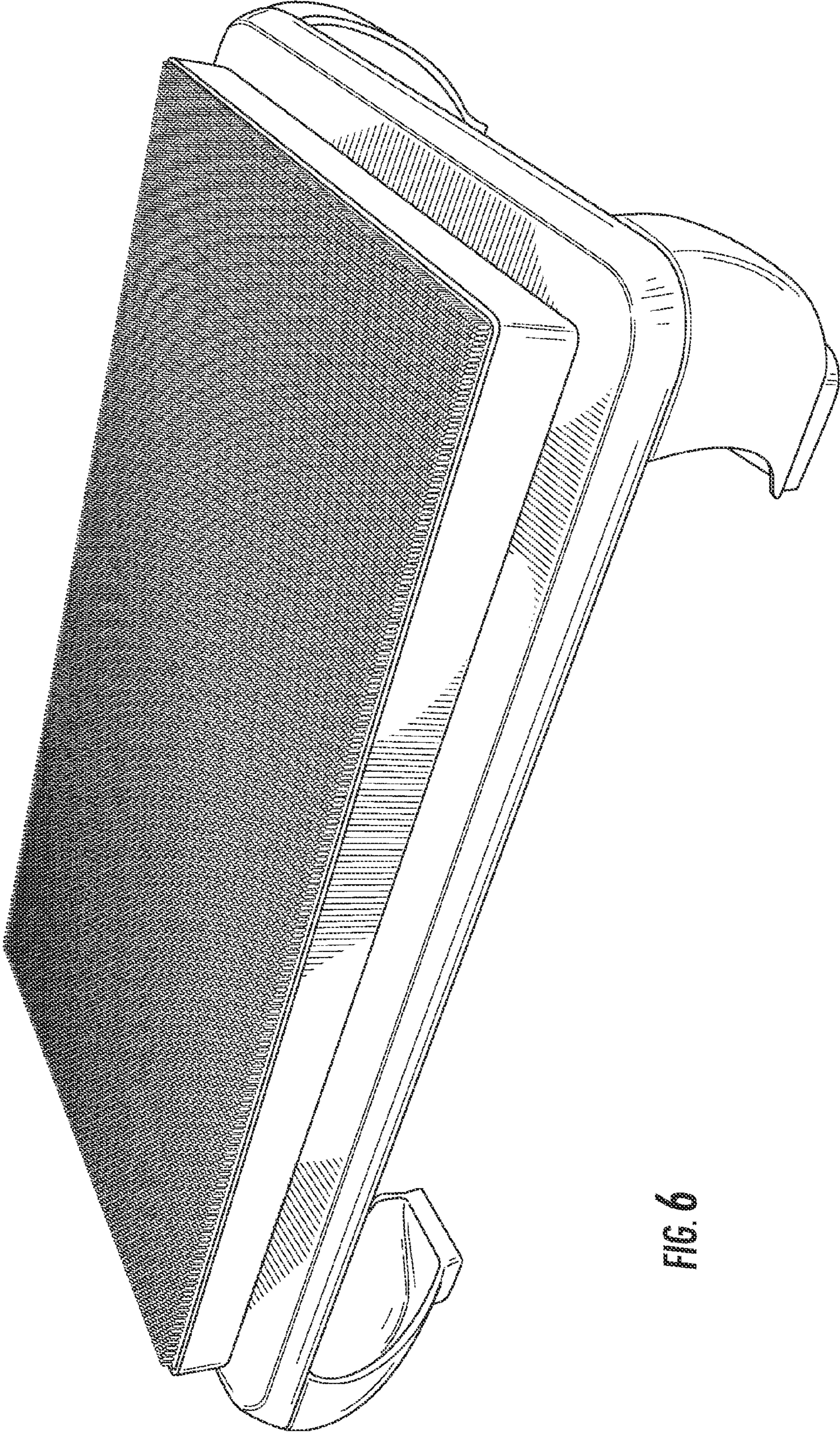


FIG. 6

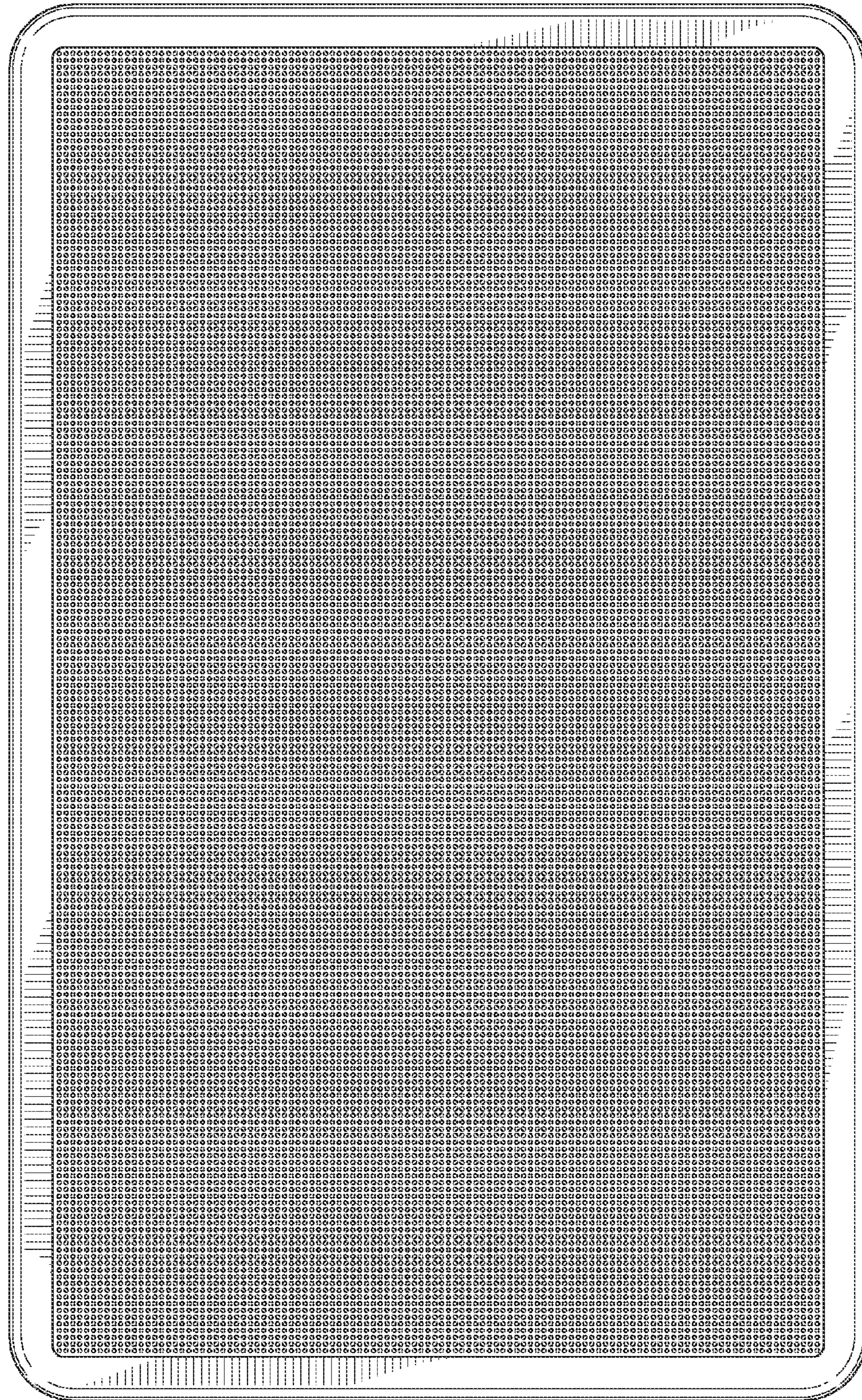


FIG. 7

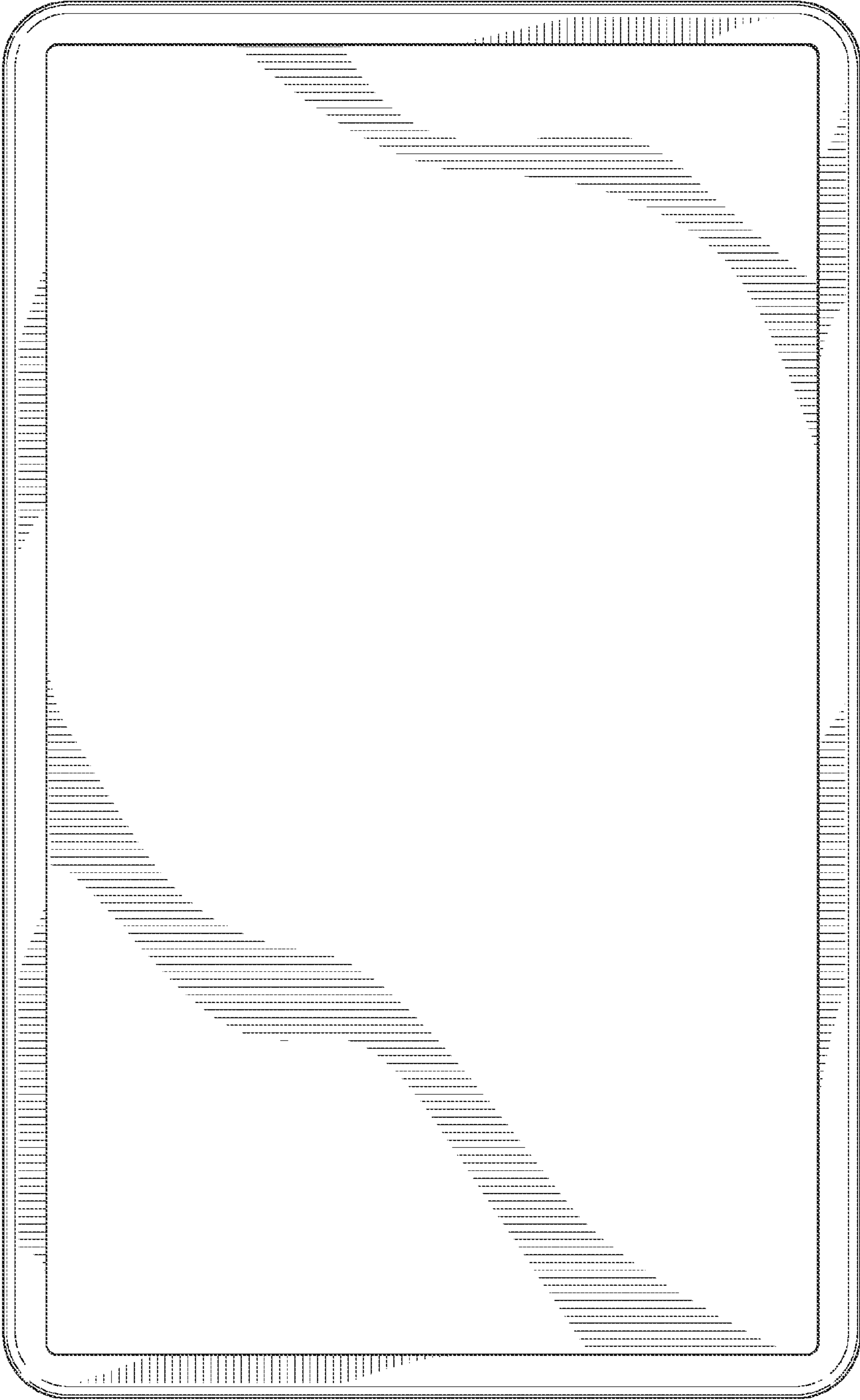


FIG. 8

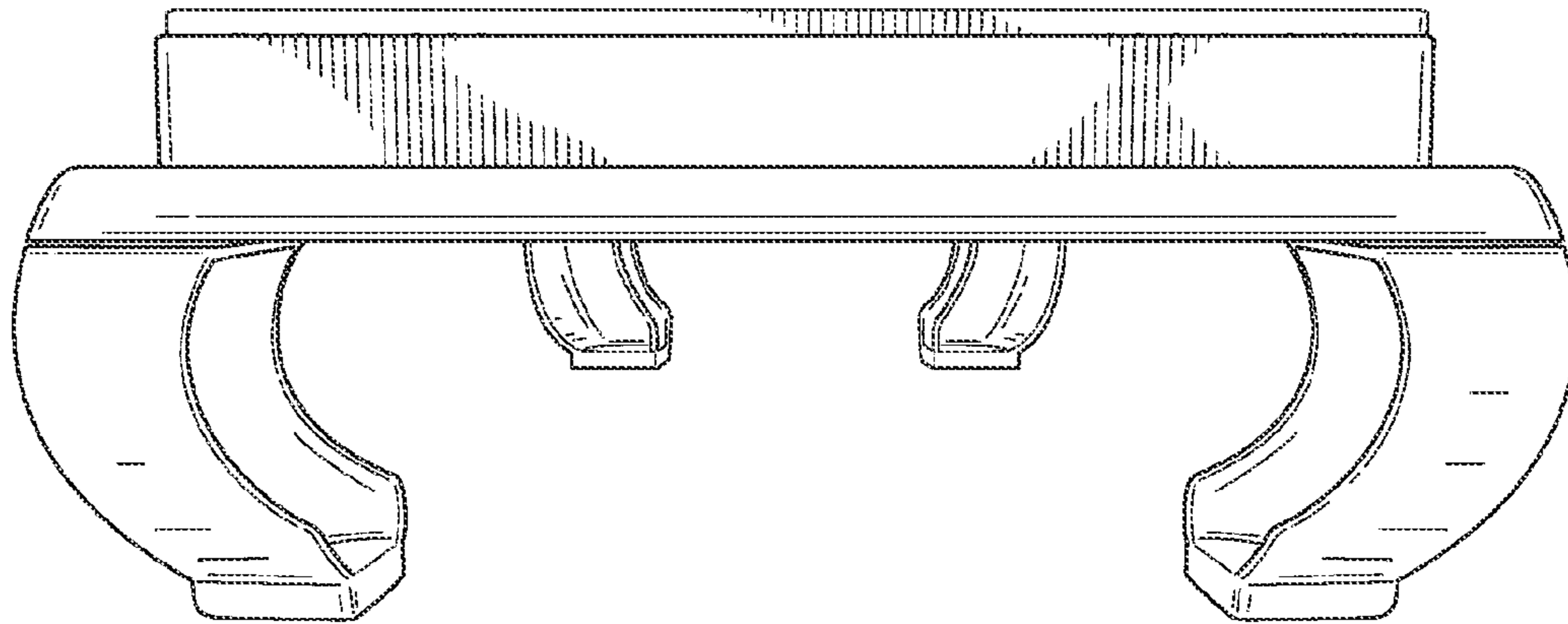


FIG. 9